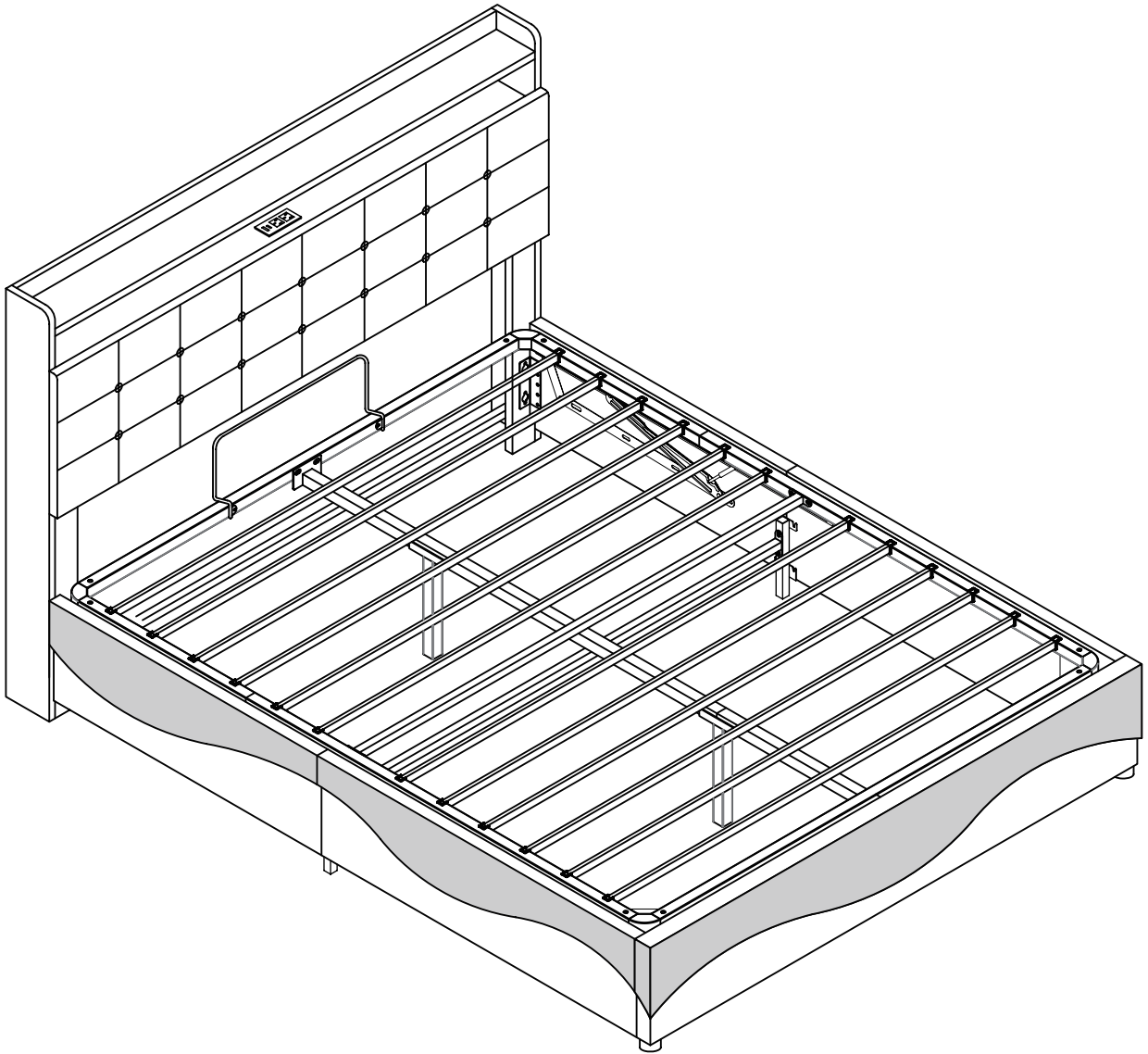
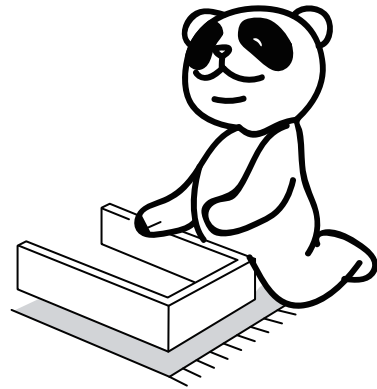
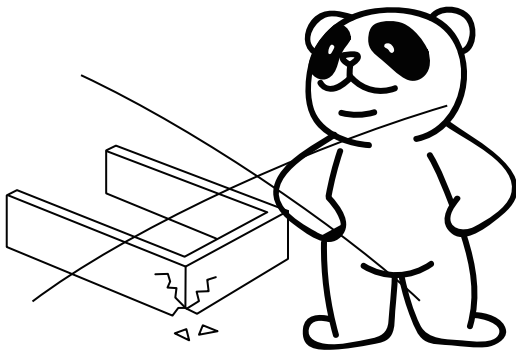
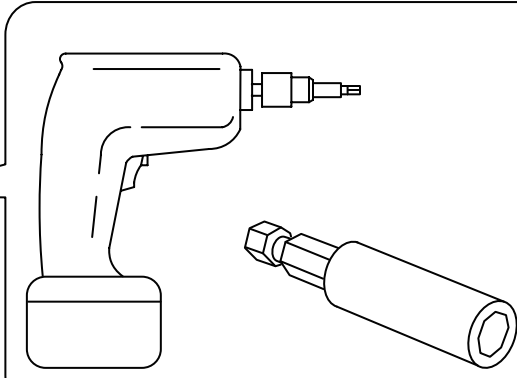
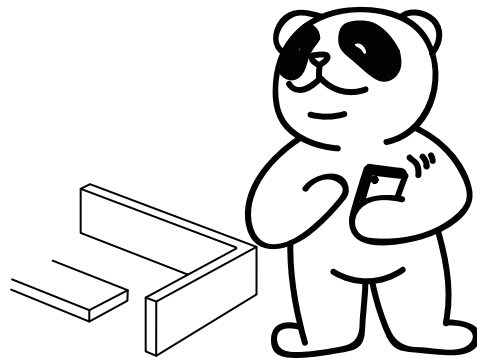
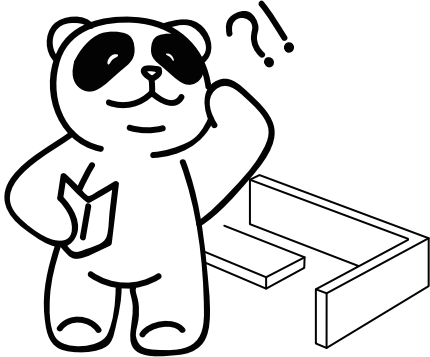


INSTALLATION & ASSEMBLY

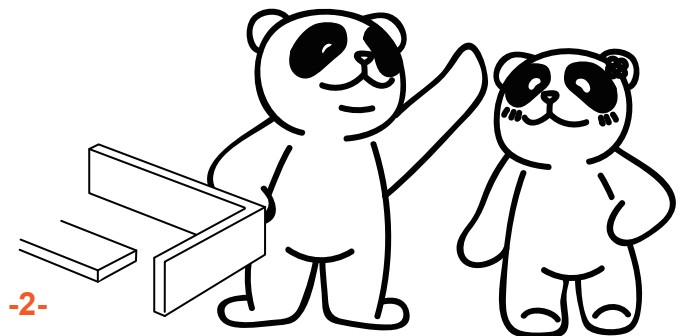
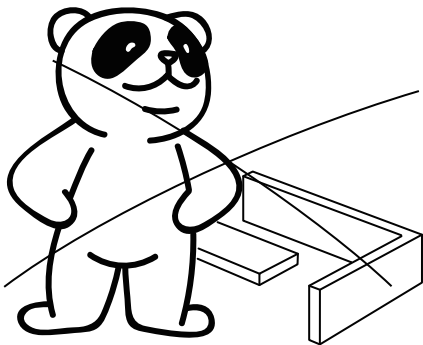




Violent installation is prohibited

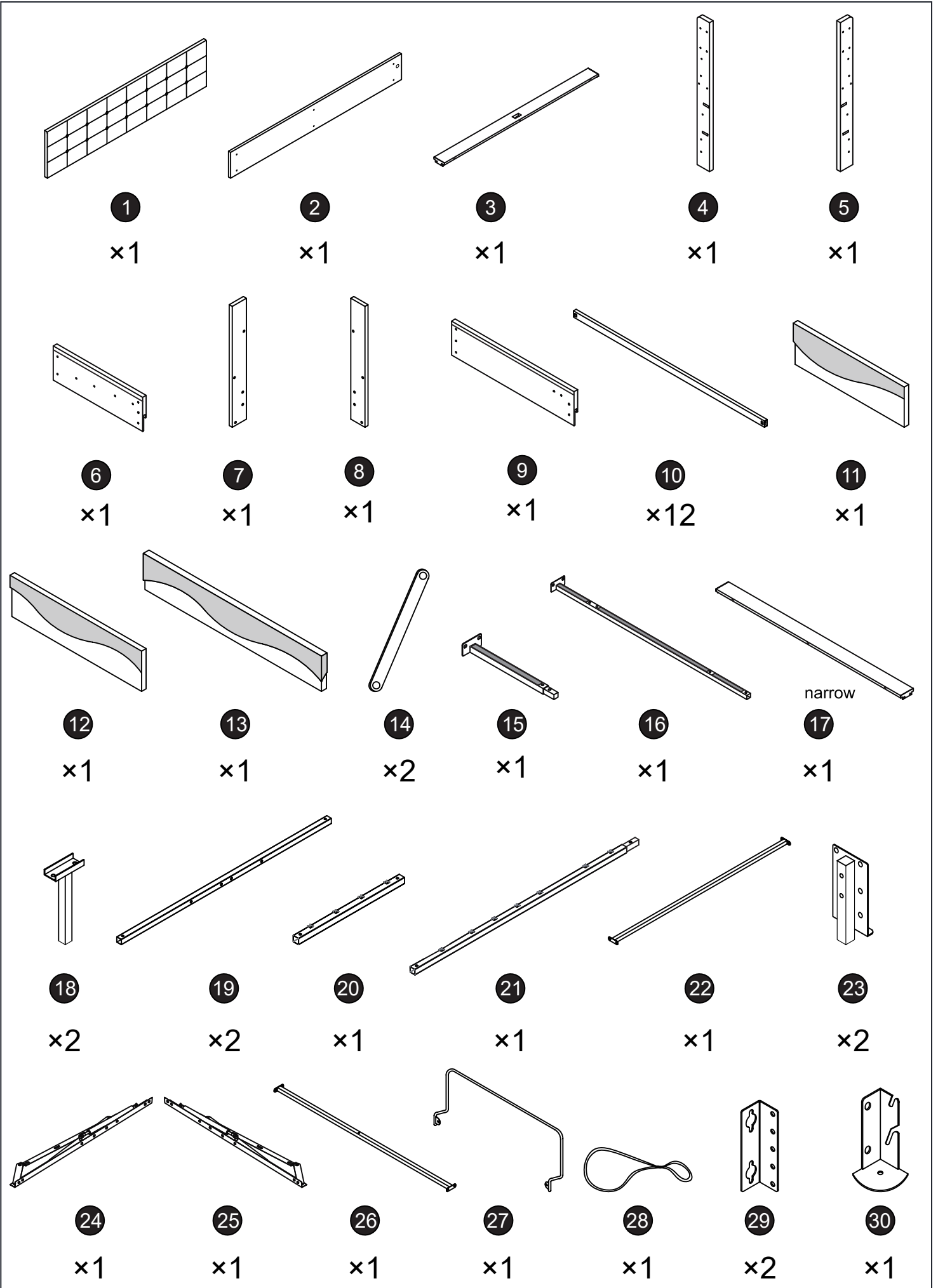


Please call if you need help

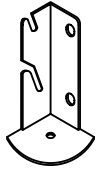


Multi-person cooperation is recommended

Assembly Instruction

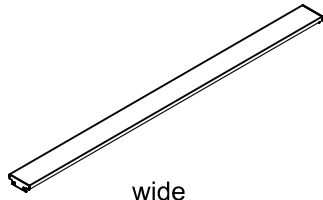


Assembly Instruction



31

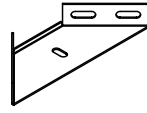
x1



wide

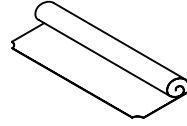
32

x1



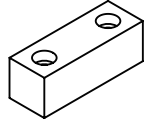
33

x2



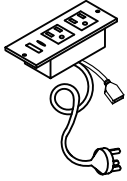
34

x1



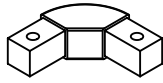
35

x1



36

x1



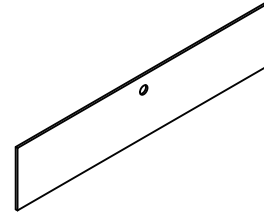
37

x4



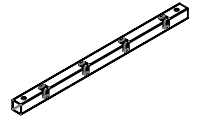
38

x2



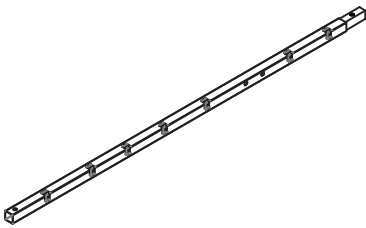
39

x1



40

x1



41

x1



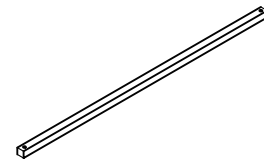
42

x1



43

x1



44

x1



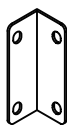
45

x1



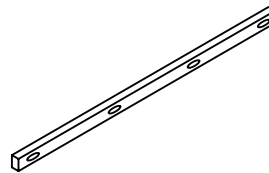
46

x2



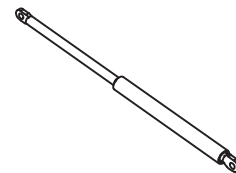
47

x2



48

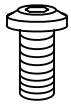
x2



49

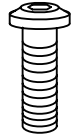
x2

Assembly Instruction



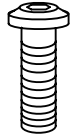
A

M8*12
x9



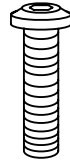
B

M8*20
x98



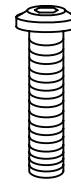
C

M8*30
x12



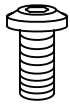
D

M8*40
x5+3



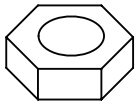
E

M8*45
x3



F

M8*15
x4+1



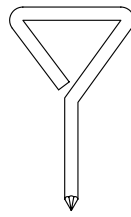
G

M8
x2+1



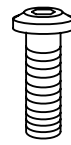
H

M4*12
x2+1



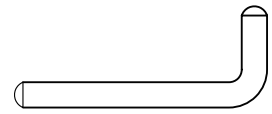
I

x1



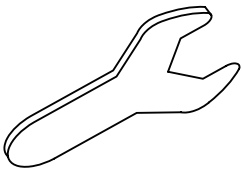
J

M8*25
x7



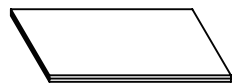
K

M8
x1



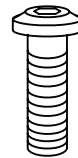
N

x1



P

x4

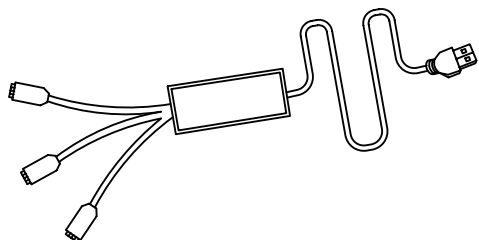


Q

M8*35
x3

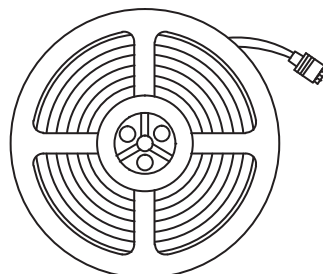
Assembly Instruction

LED light strip electronic accessories list



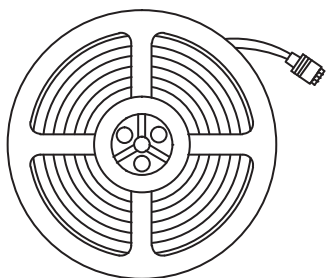
×1

Power cord



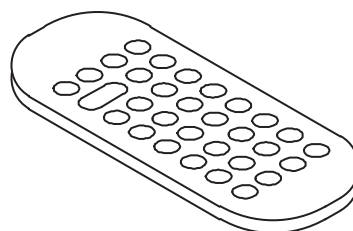
×2

**light strip
Long**



×1

**light strip
short**

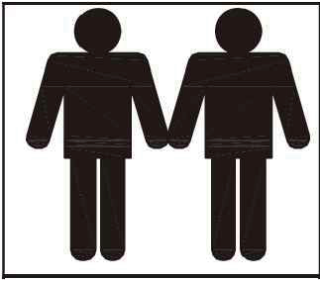


×1

Remote control

Note:

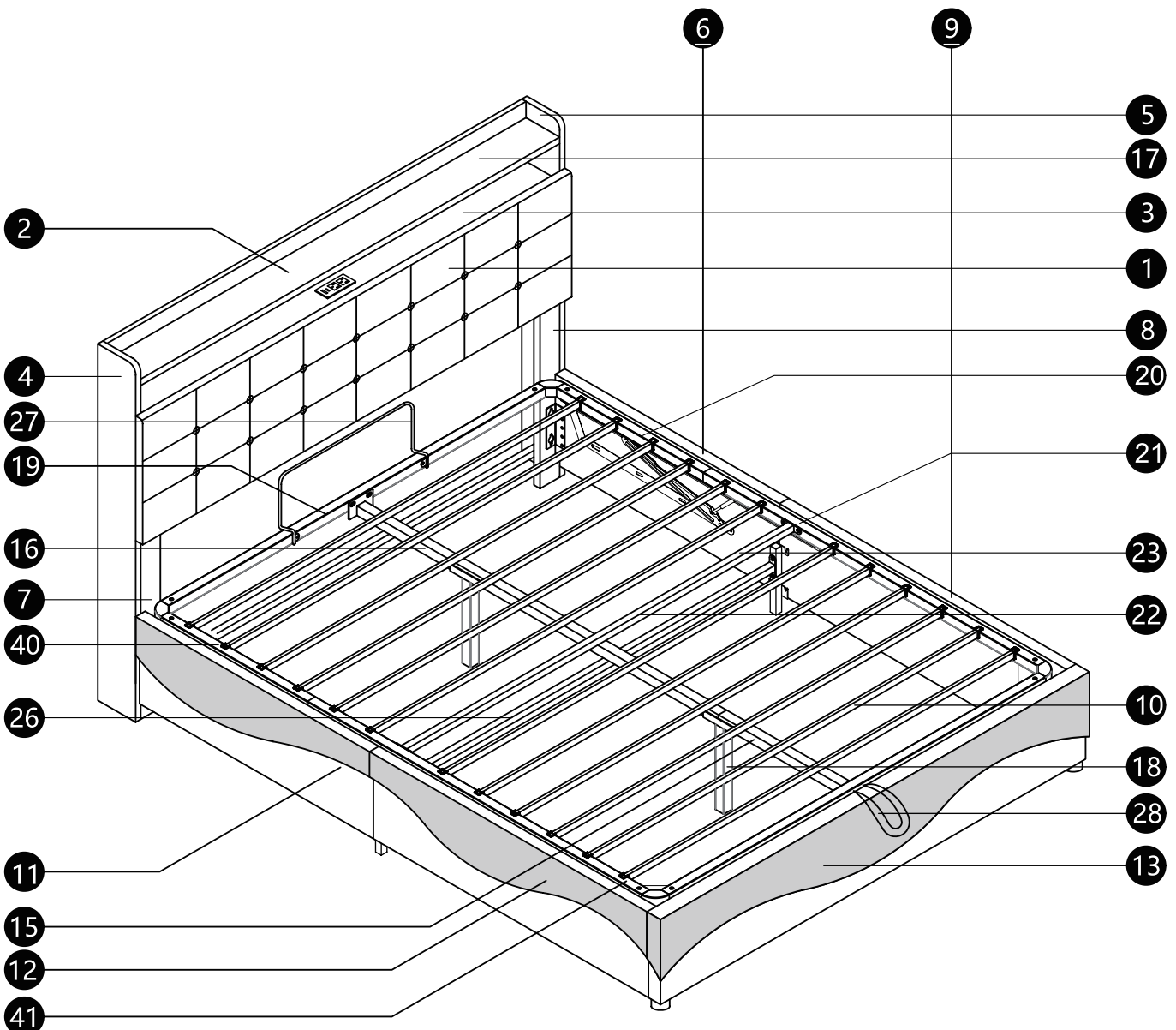
1. Should be assembled on flat ground to keep balance.
2. Before completing the installation, do not tighten the screws.



It needs at least two people to install.




Before starting the assembly, you must read the whole manual and follow the instructions

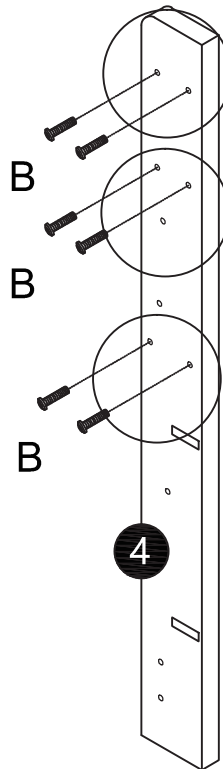
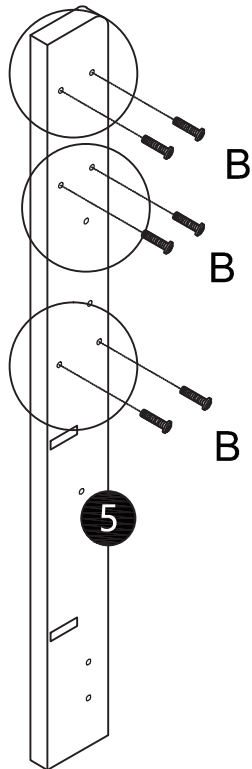
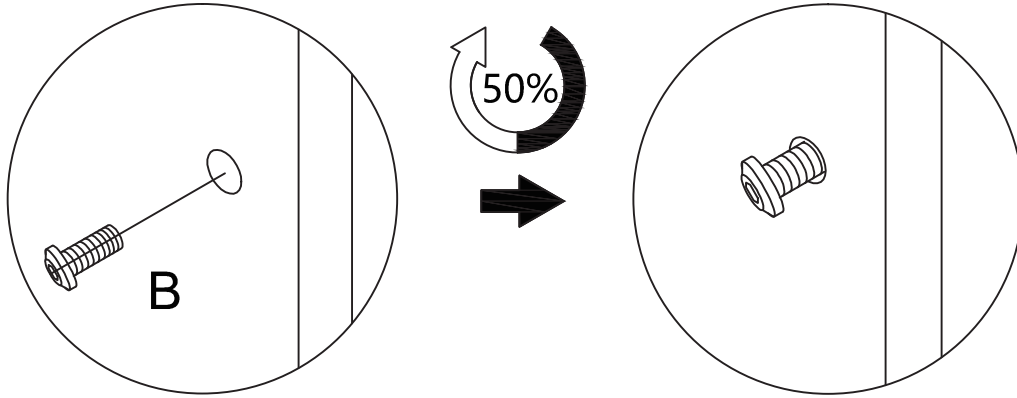


Assembly Instruction

1

B M8*20


 x12

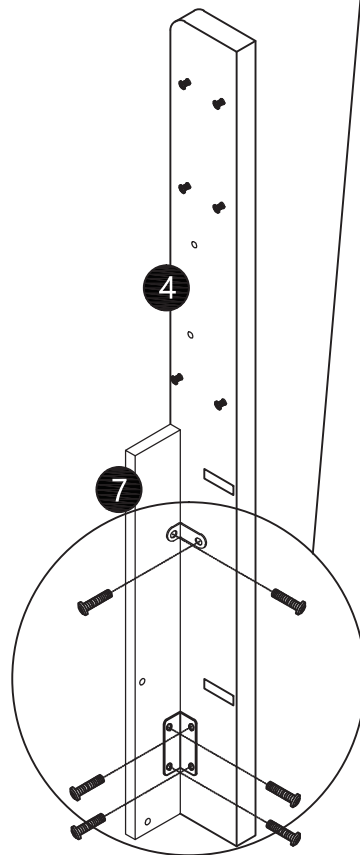
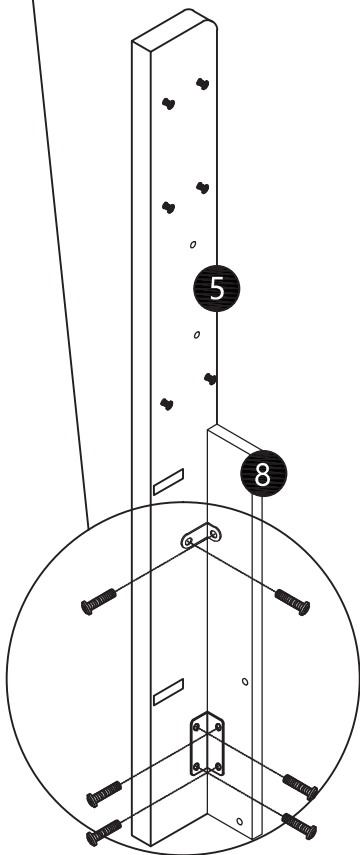
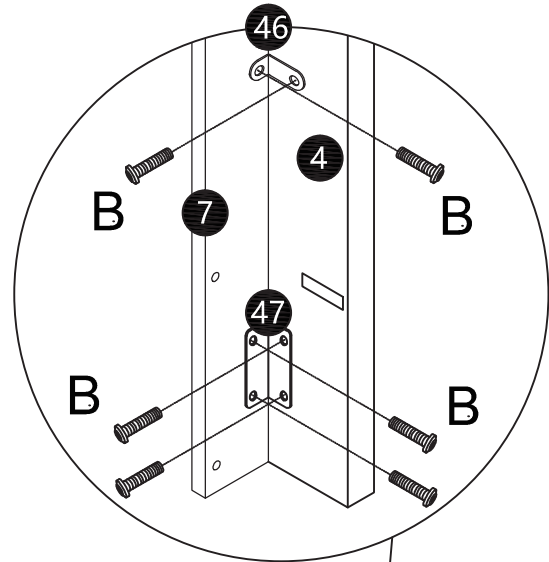
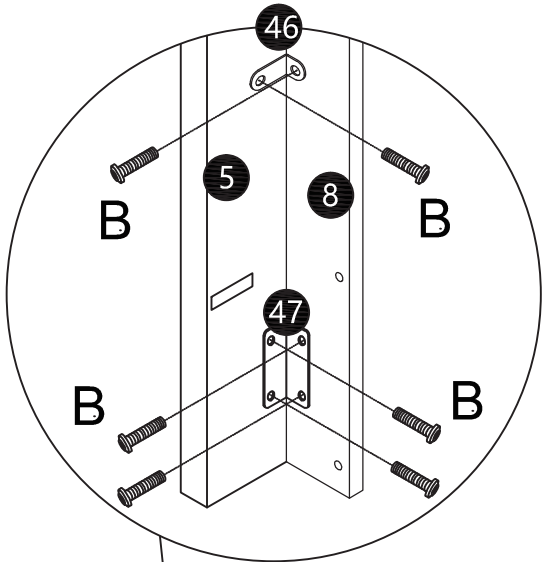


Assembly Instruction

2

B M8*20

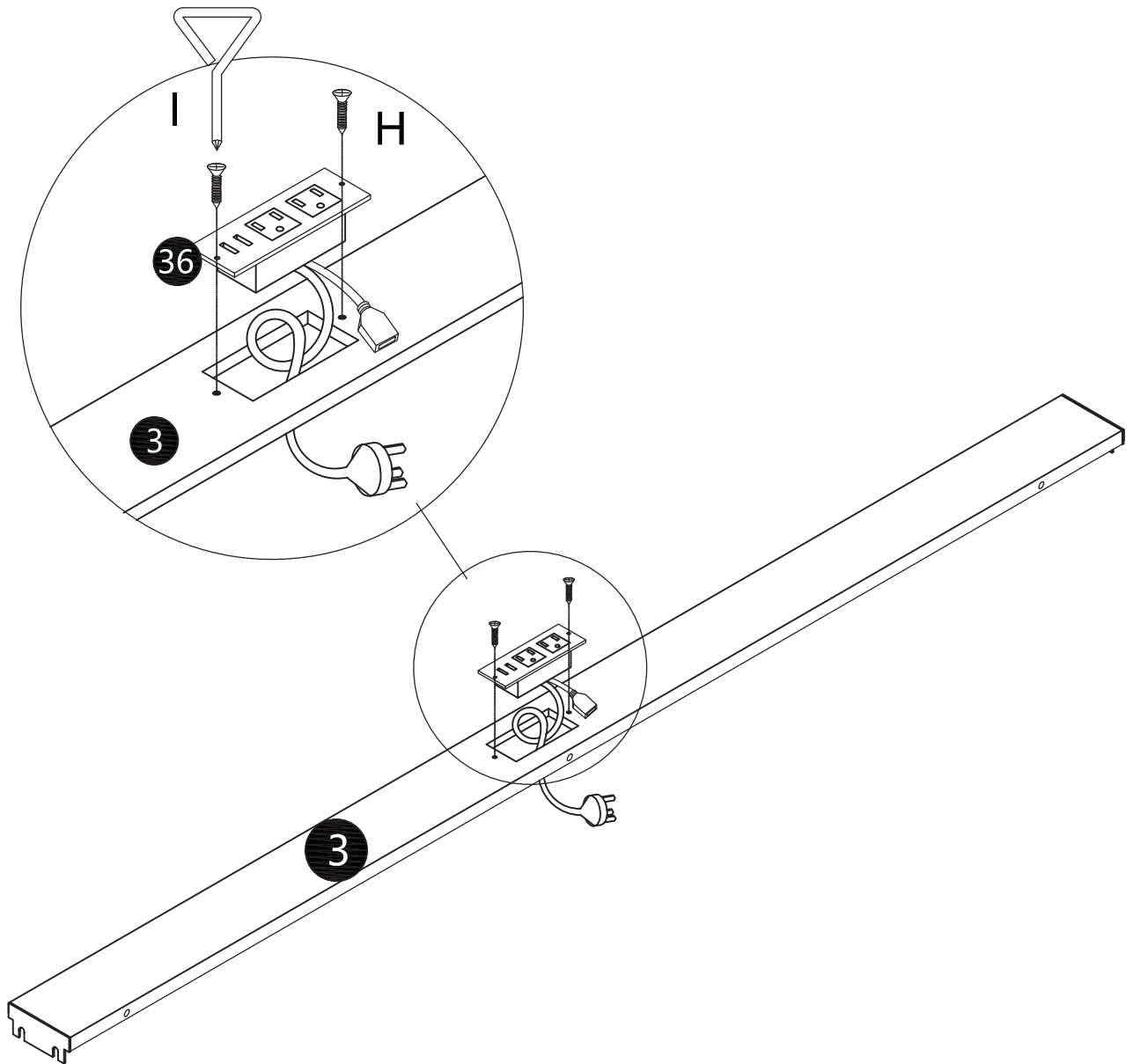
 x12



Assembly Instruction

3

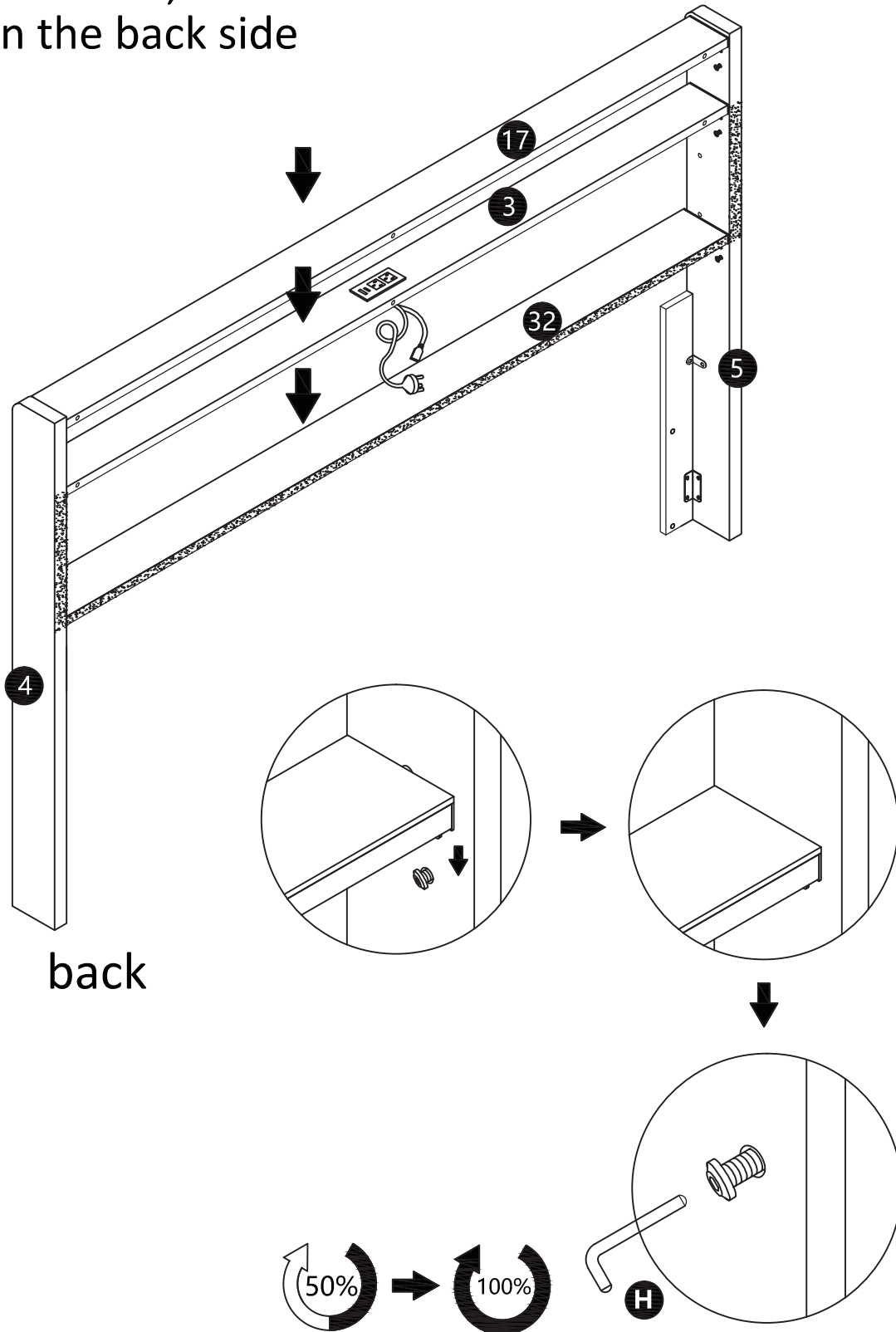
H M3*12
 x2



Assembly Instruction

4

Pay attention to the assembly direction of number 17 and number 3, with holes on the back side



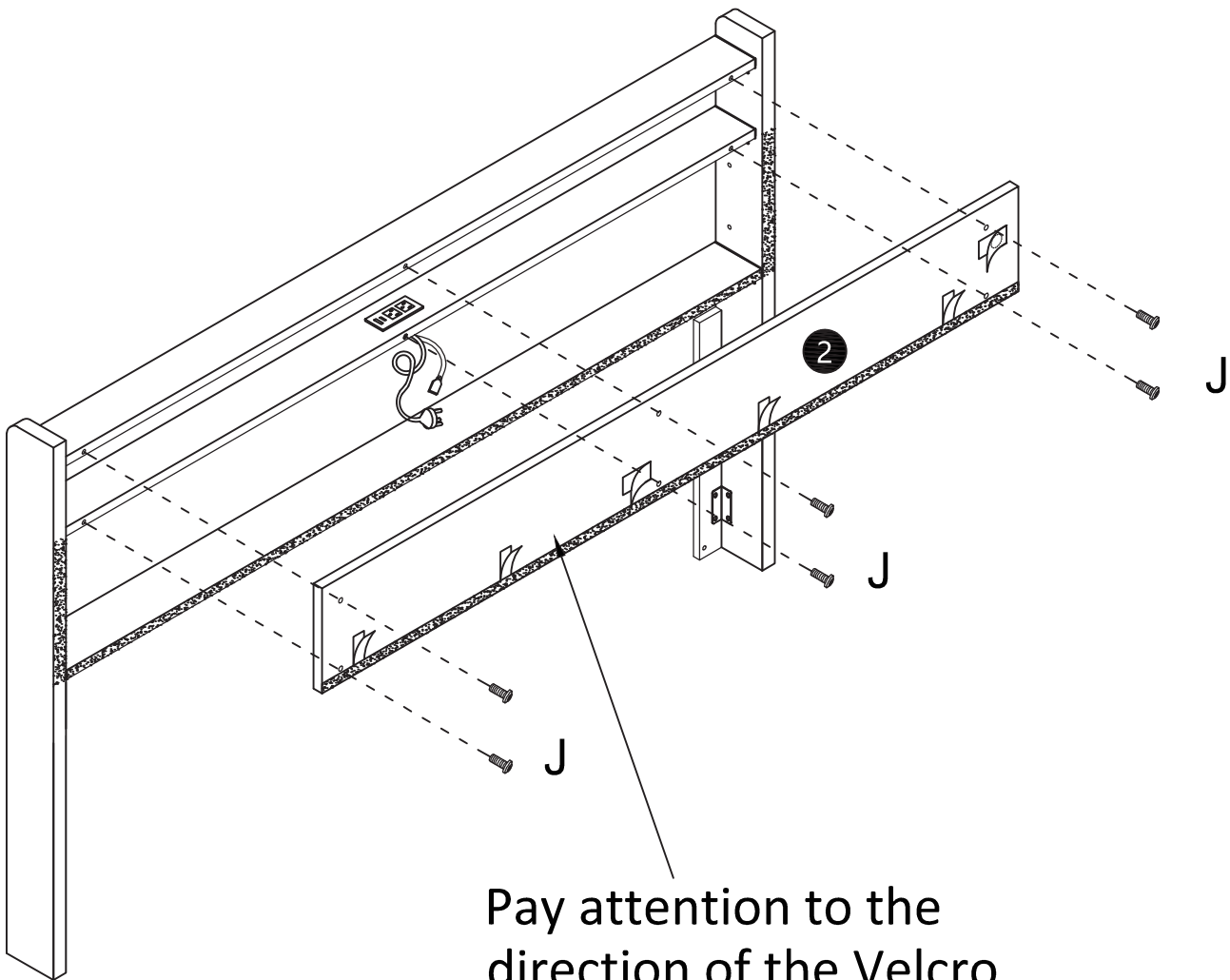
back

Assembly Instruction

5

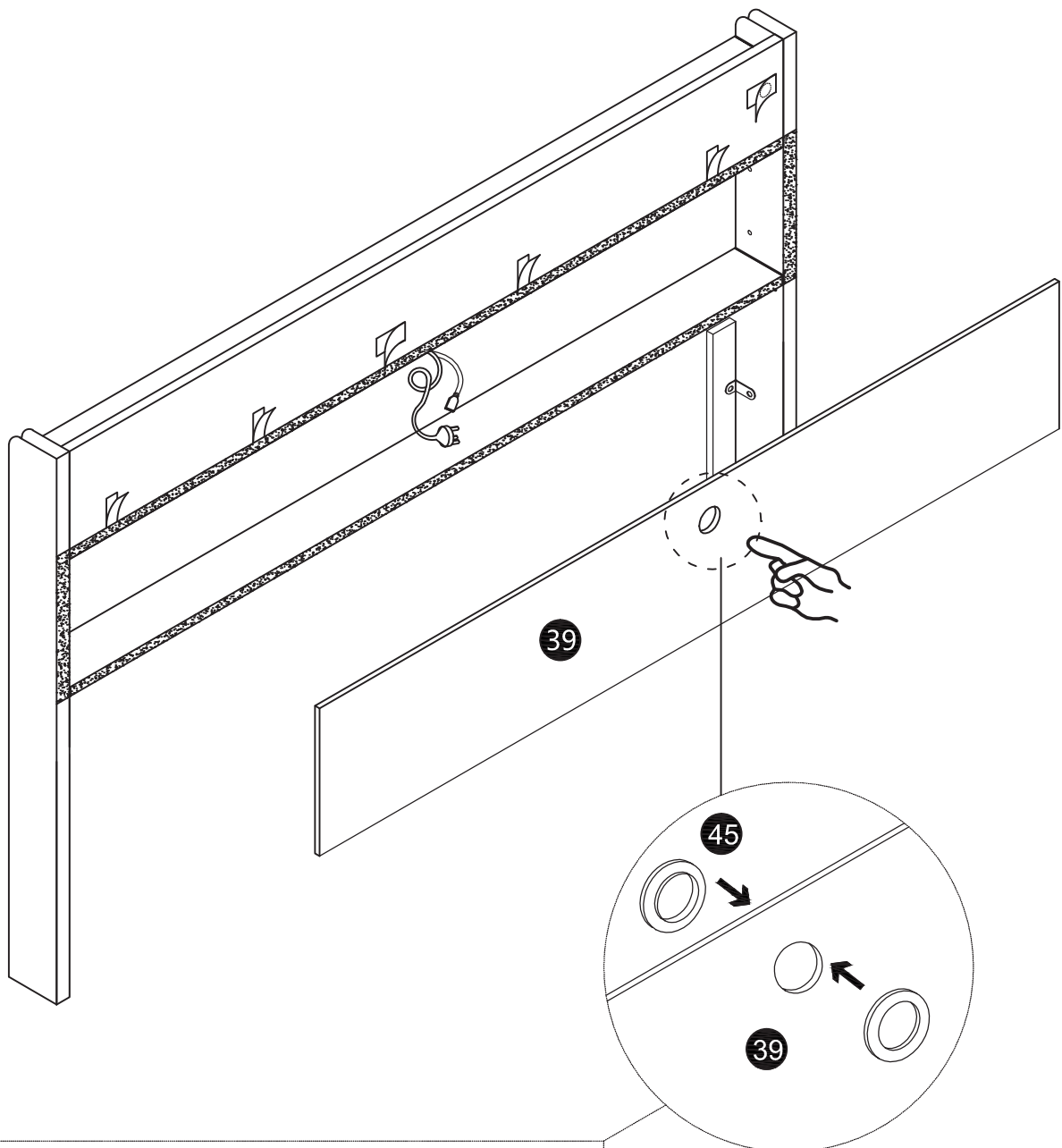
J M8*25

 x6



Assembly Instruction

6



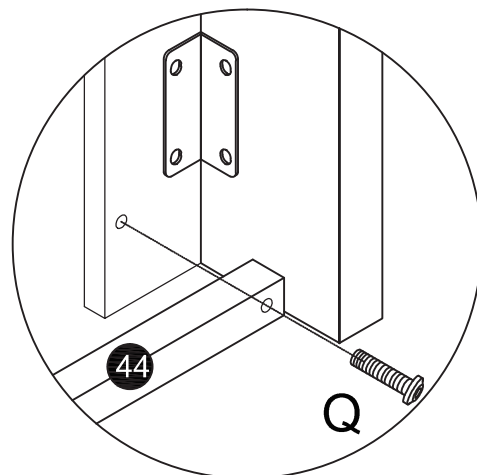
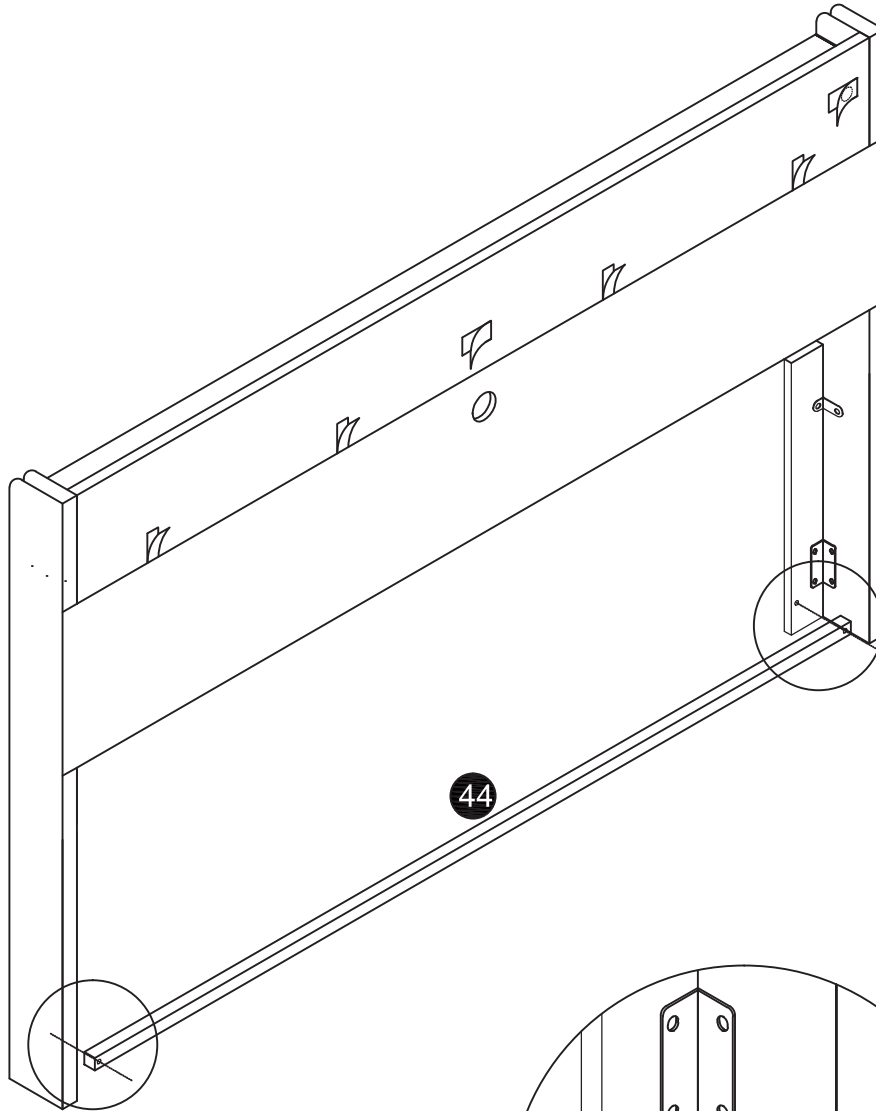
NO.1 Open accessory(45)

NO.2 Place them separately on the front and back of the (39) hole and press them tightly

Assembly Instruction

7

Q M8*35
 x2



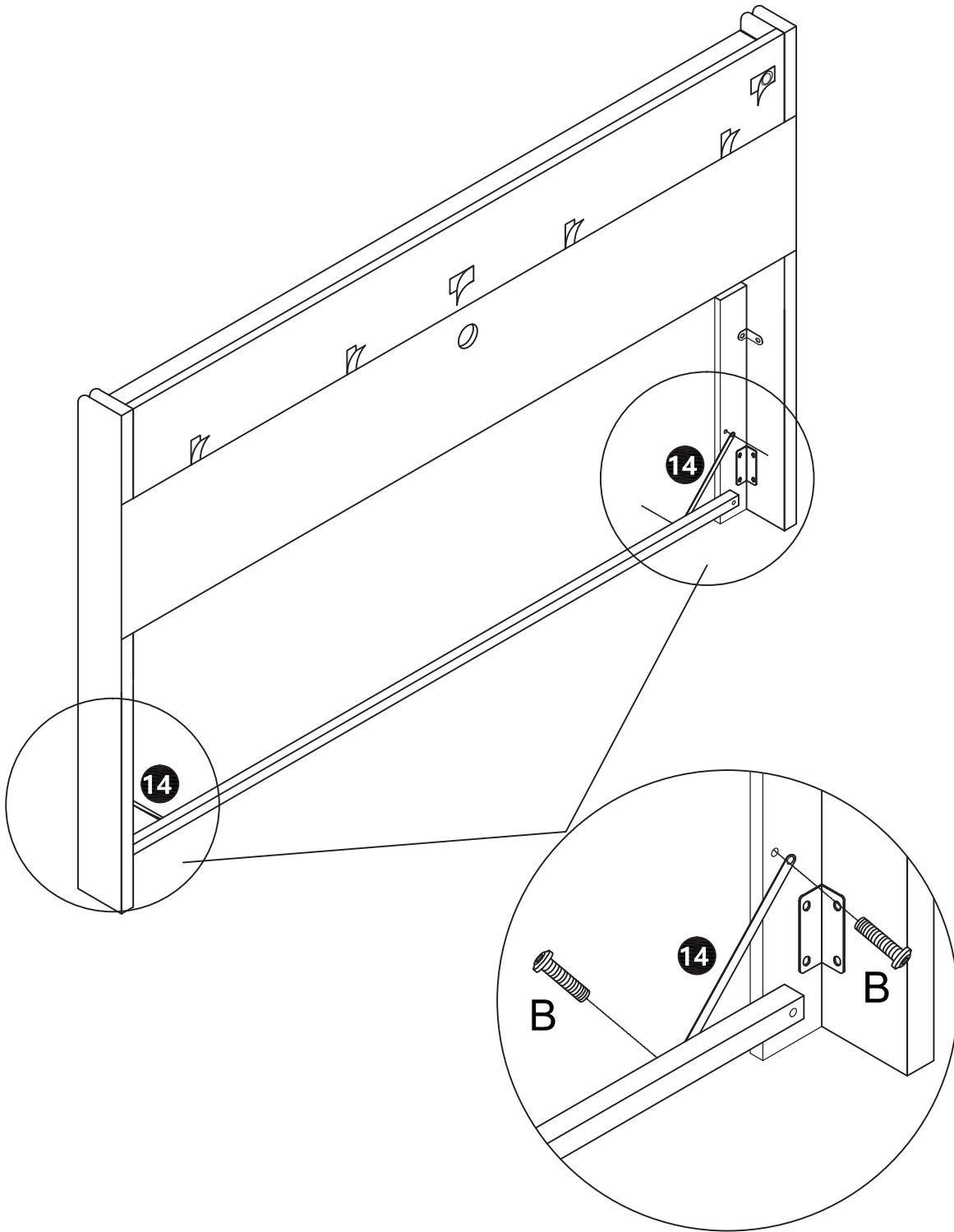
The Velcro on (44) is facing downwards

Assembly Instruction

8

B M8*20

 x4



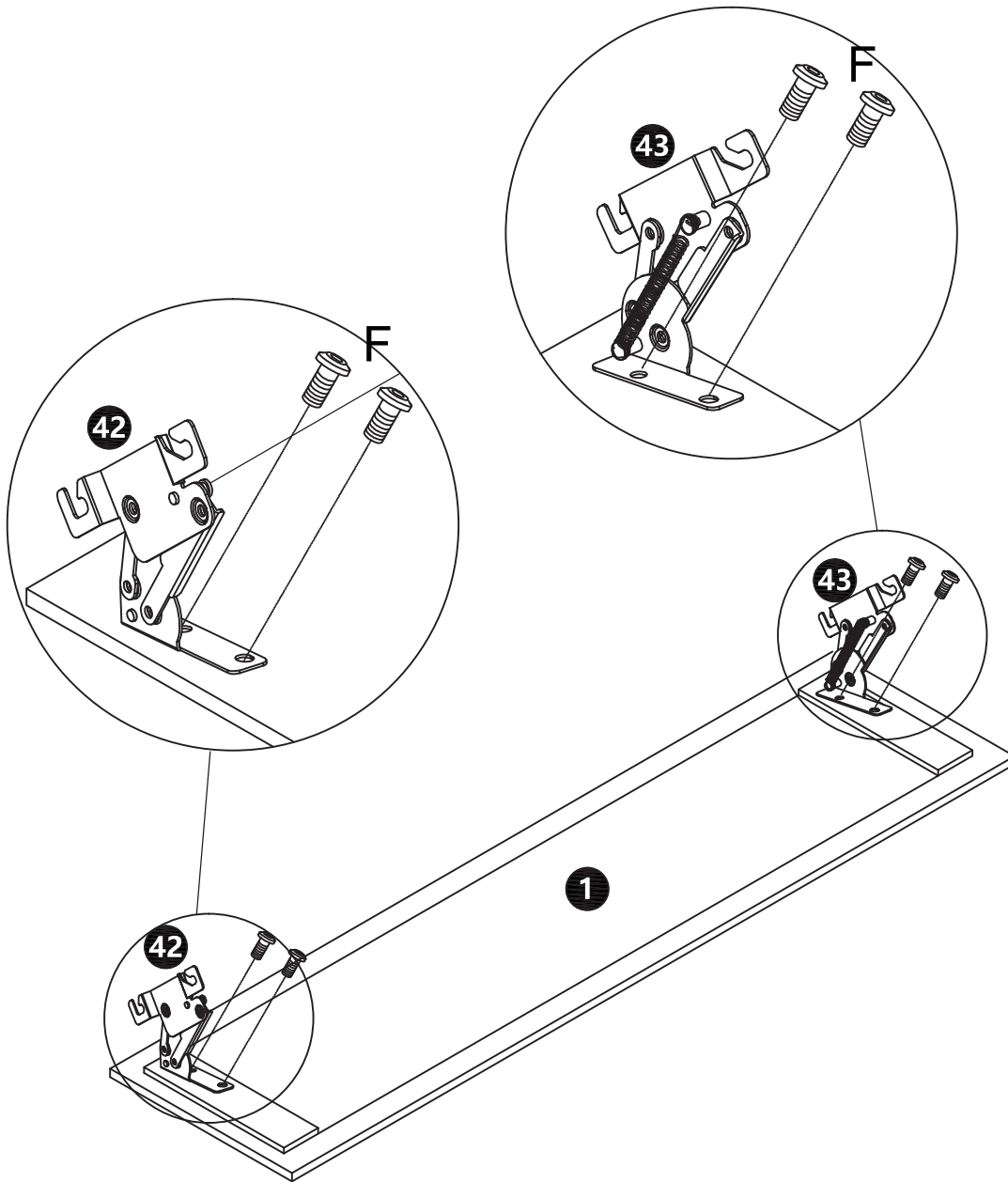
Please pay attention to the installation direction

Assembly Instruction

9

F M8*15

 x4

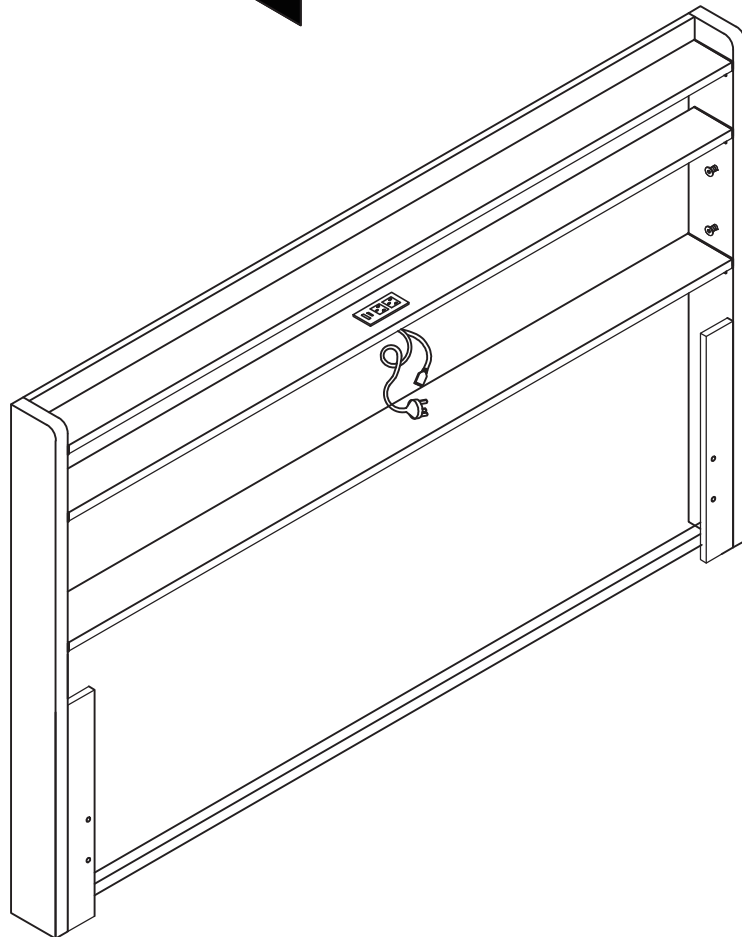
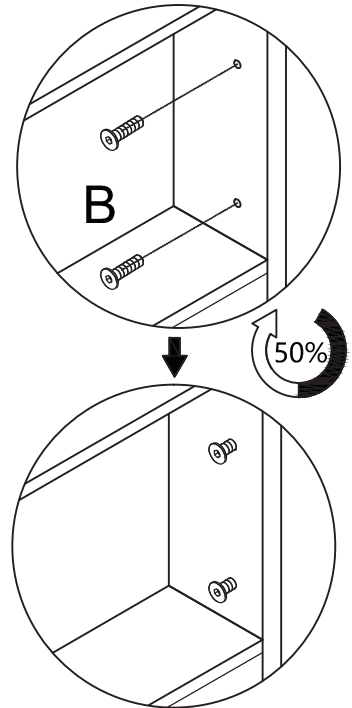
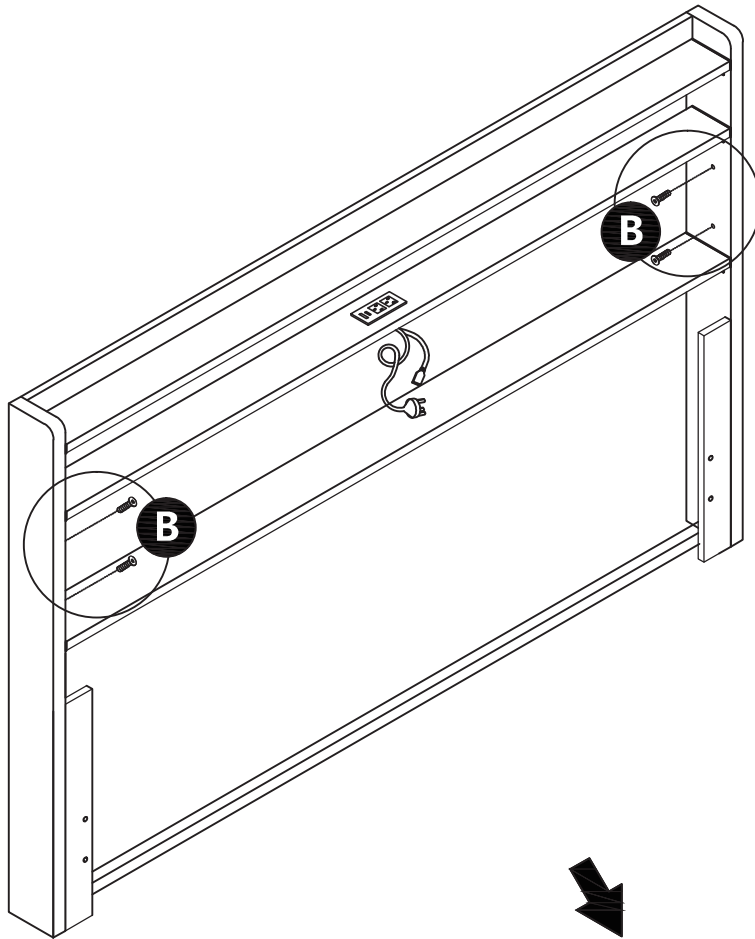


Assembly Instruction

10

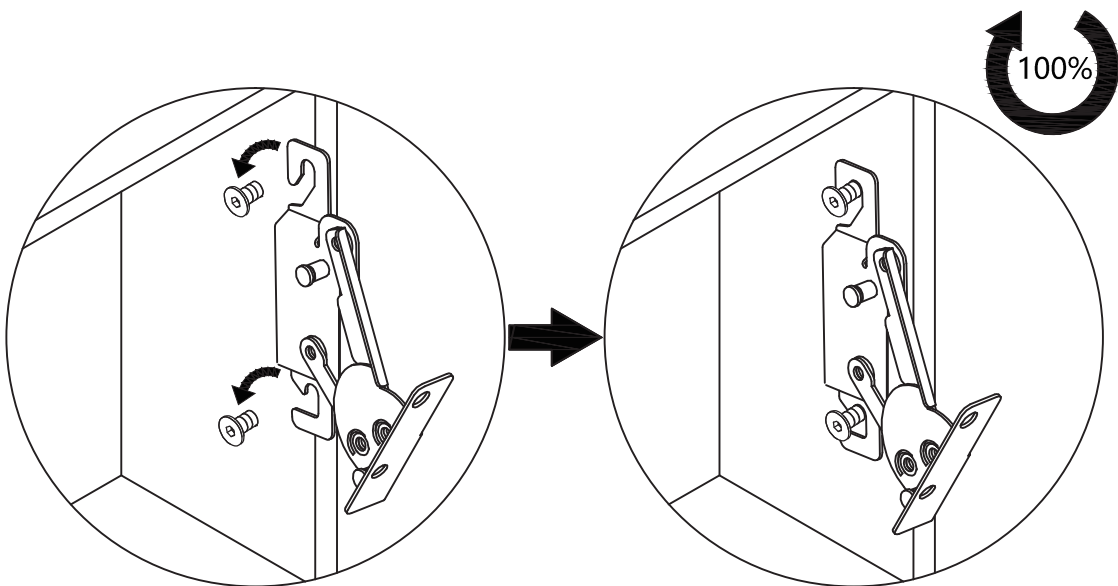
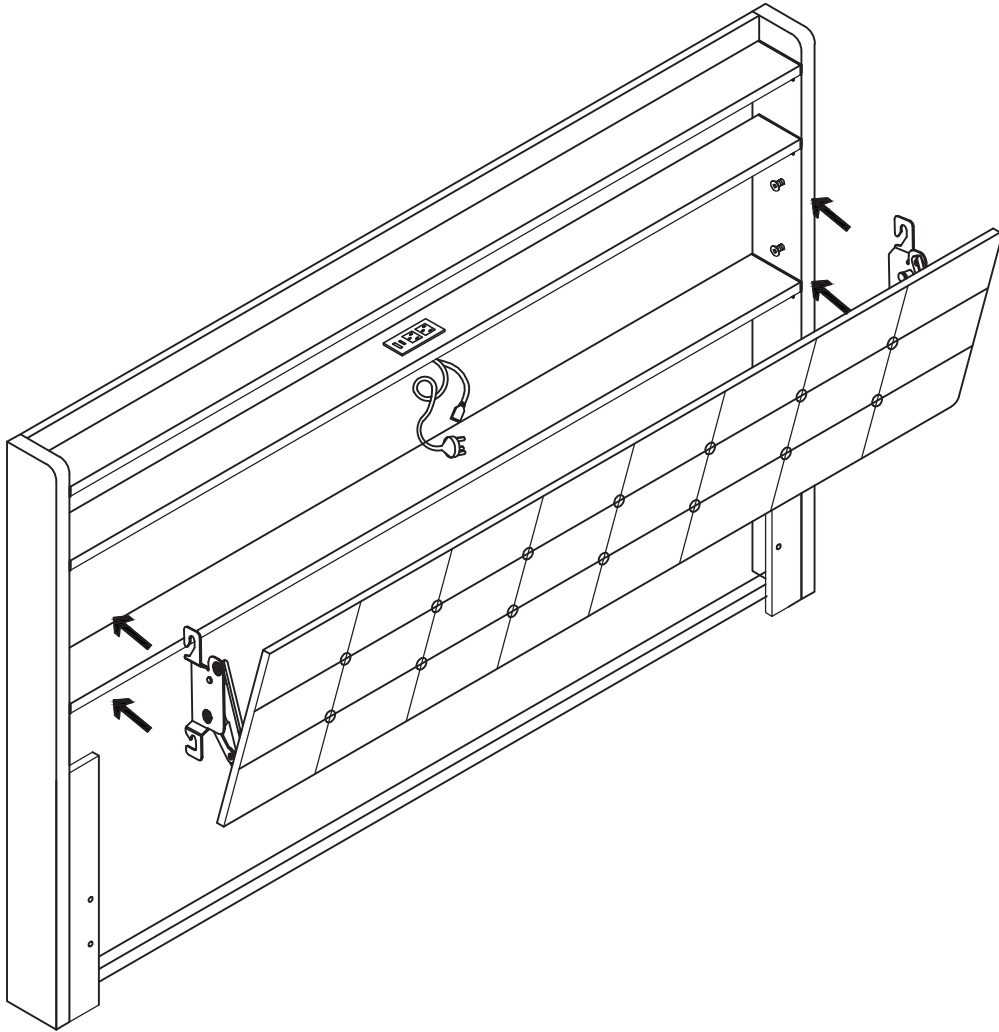
B M8*20

 x4



Assembly Instruction

11




Hang it up first

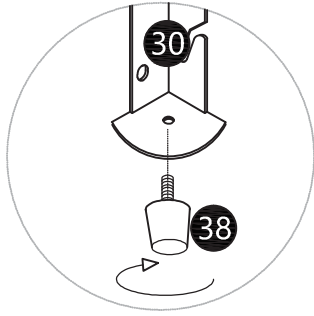
Then tighten it

Assembly Instruction

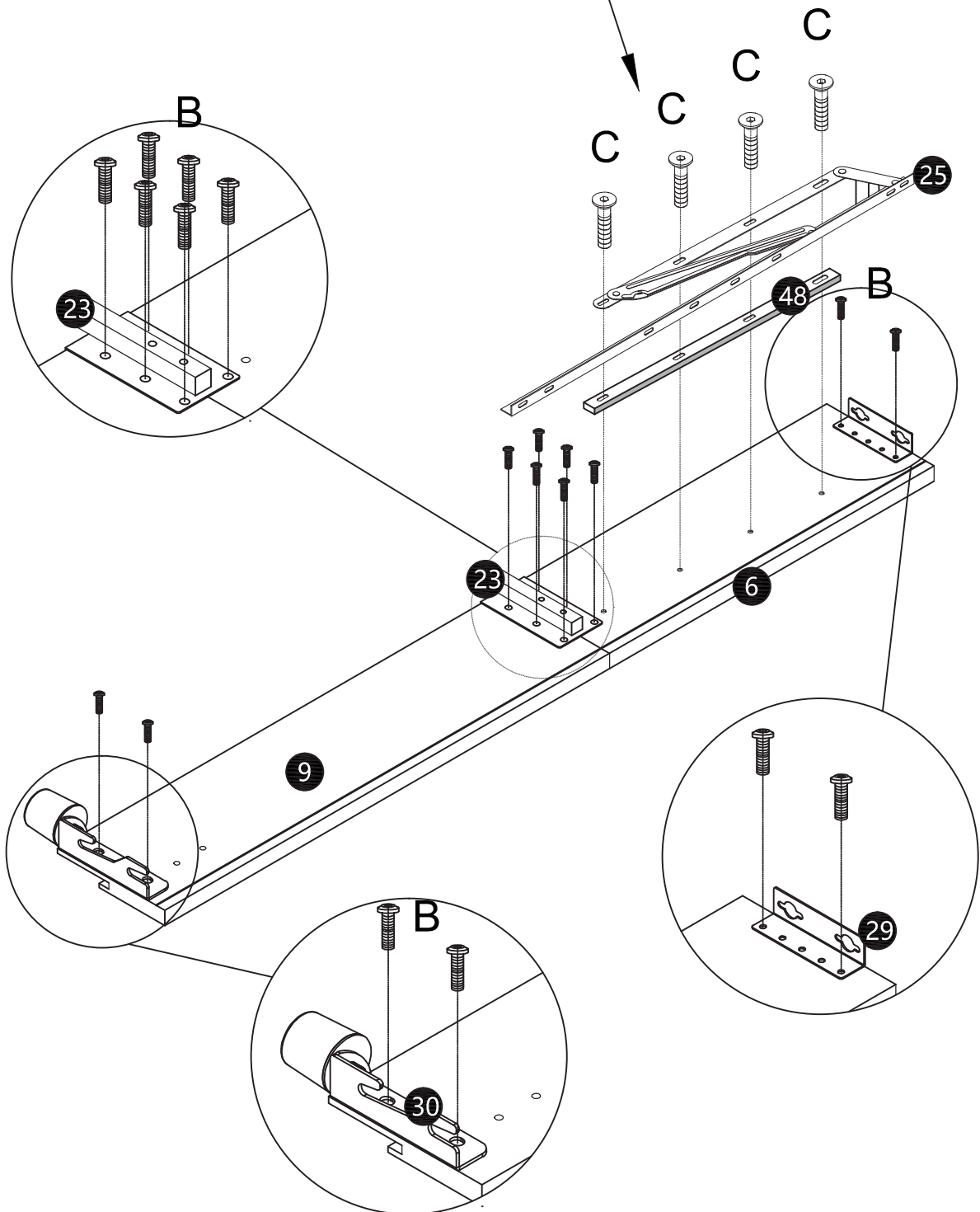
12

B M8*20
 x10

C M8*30
 x4




Align all screws with the screw holes before tightening them



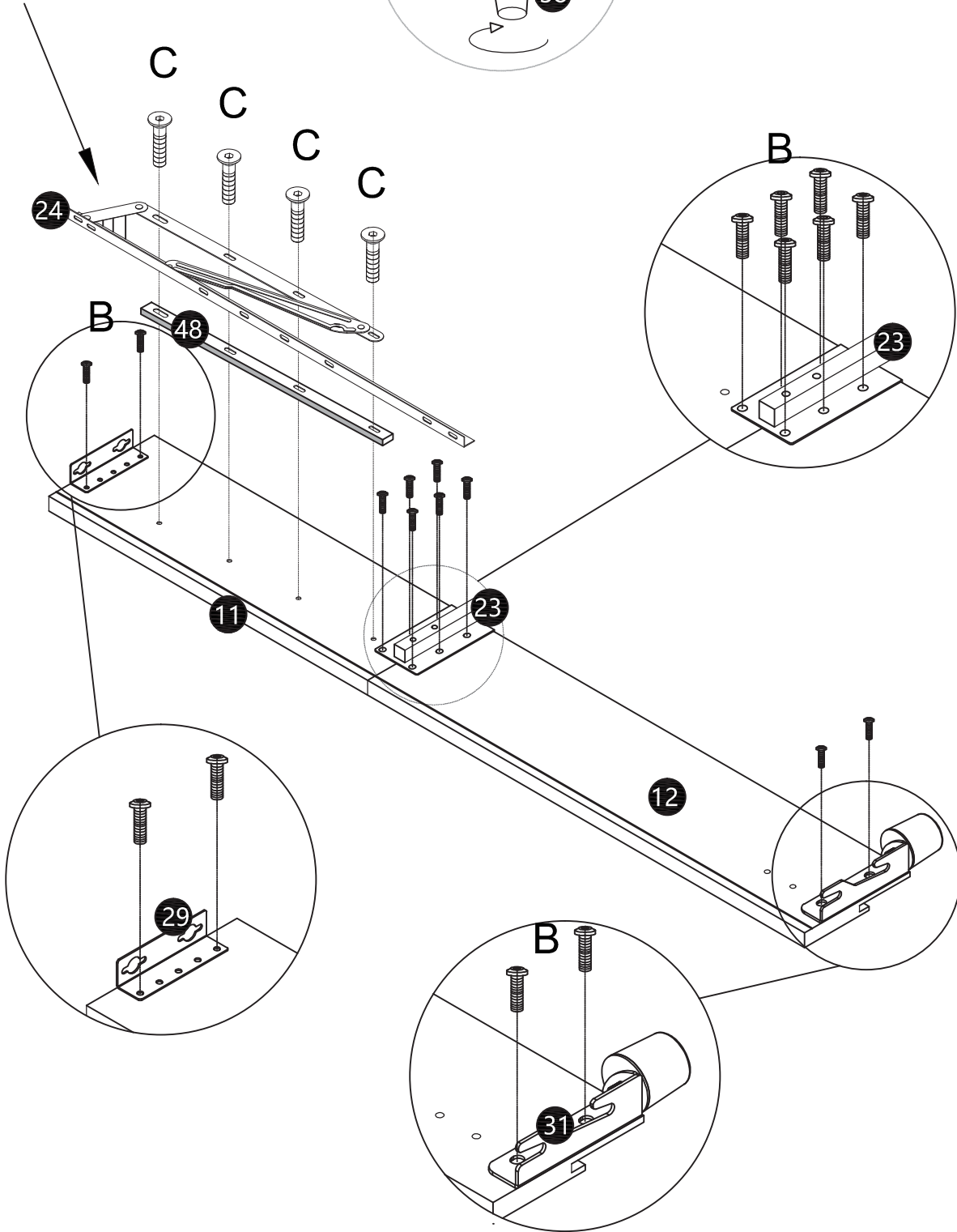
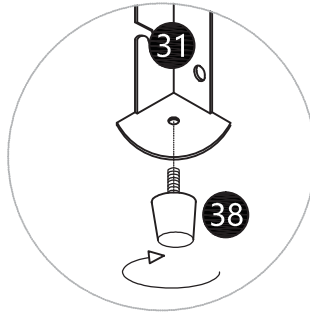
Assembly Instruction

13

B M8*20
 x10

C M8*30
 x4

Align all screws with the screw holes before tightening them

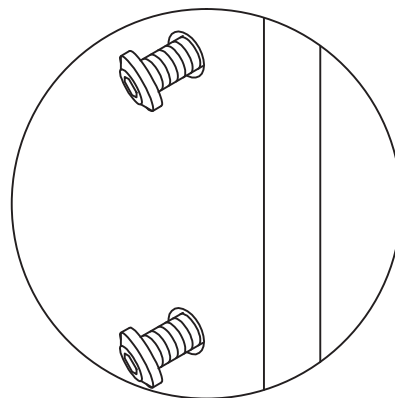
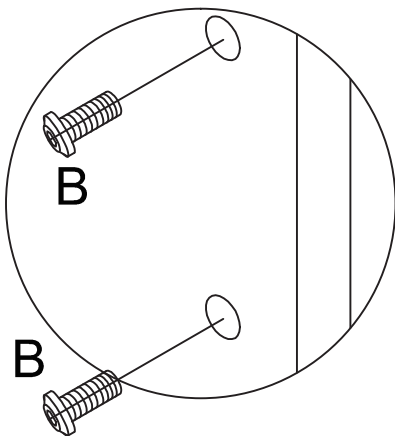
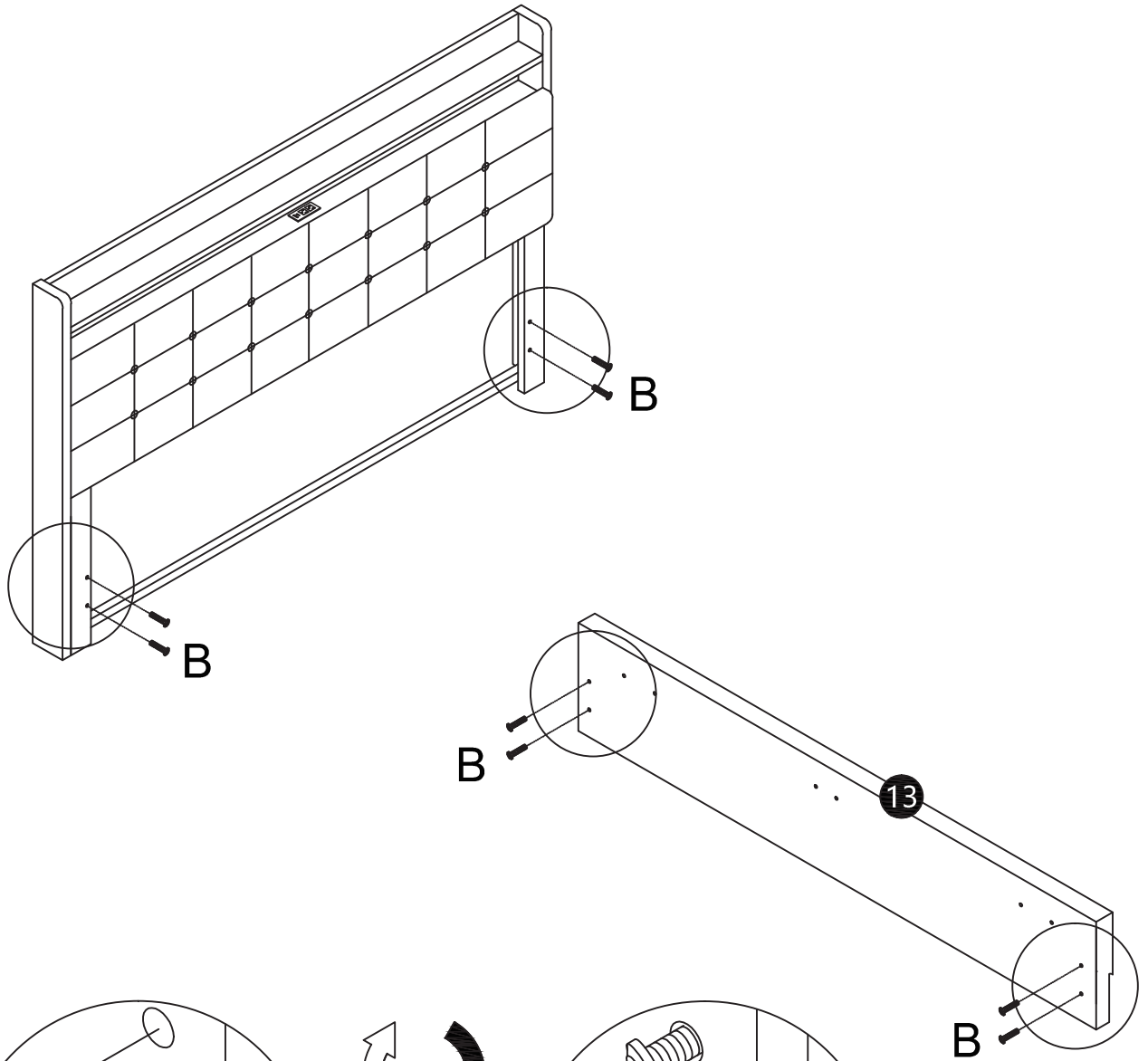


Assembly Instruction

14

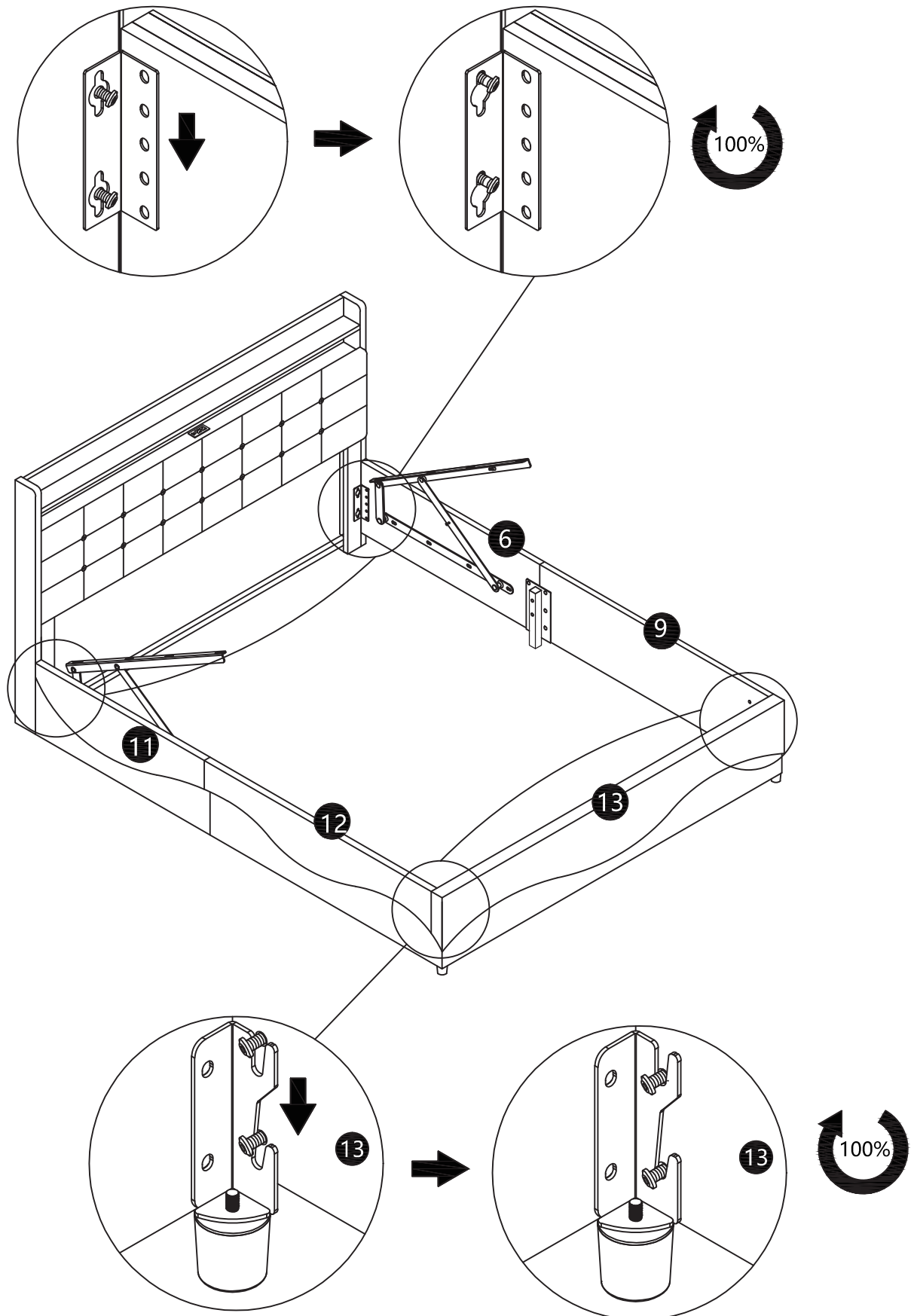
B M8*20

 x8



Assembly Instruction

15

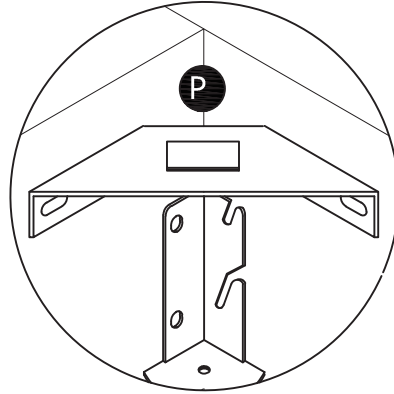
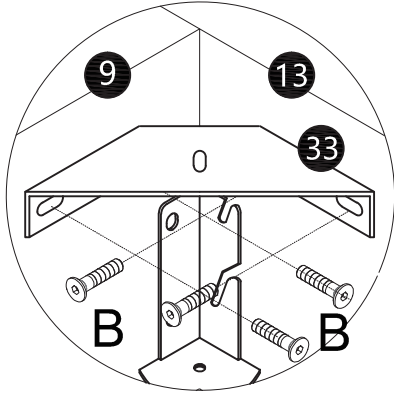


Assembly Instruction

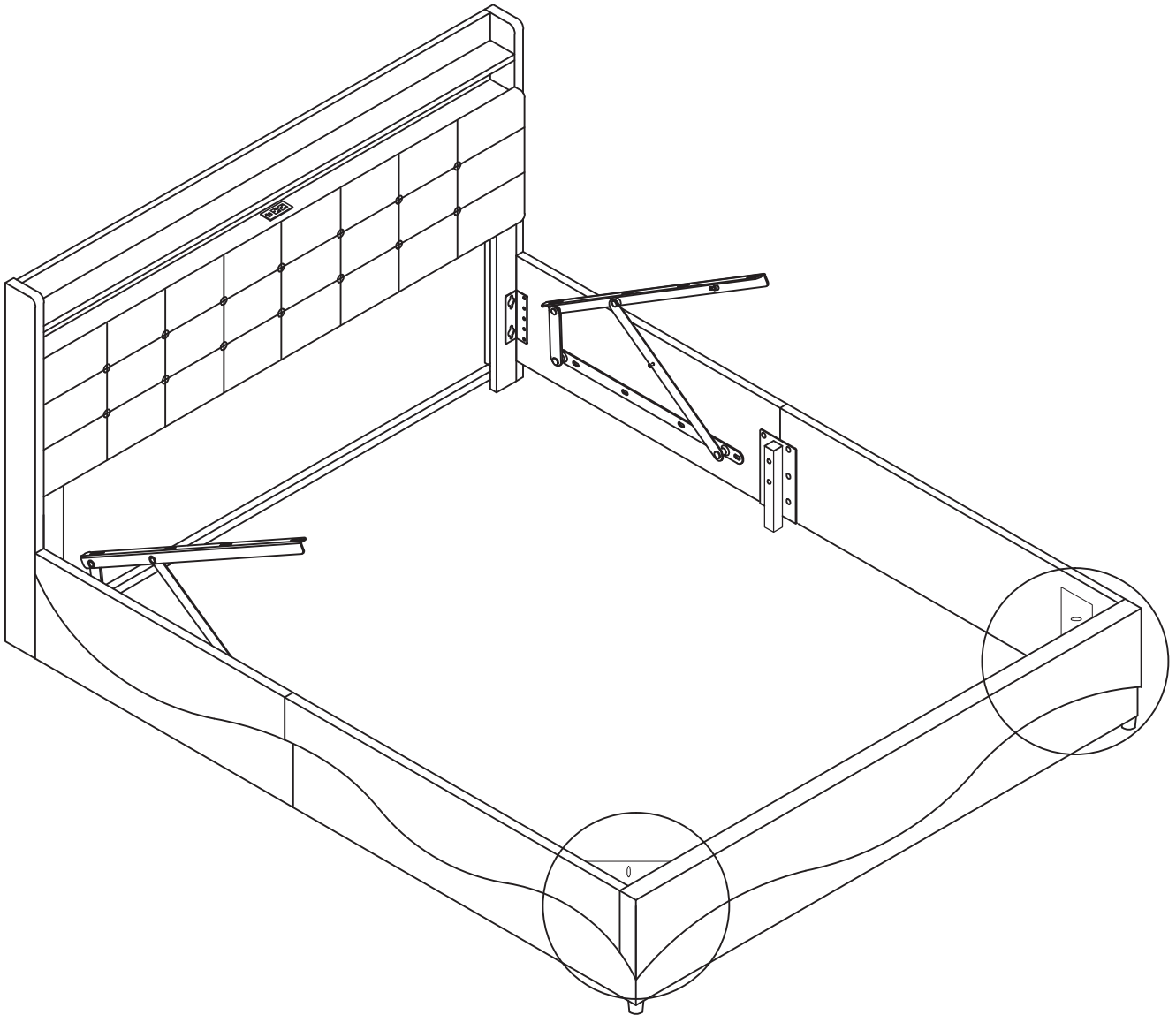
16

B M8*20

 x8



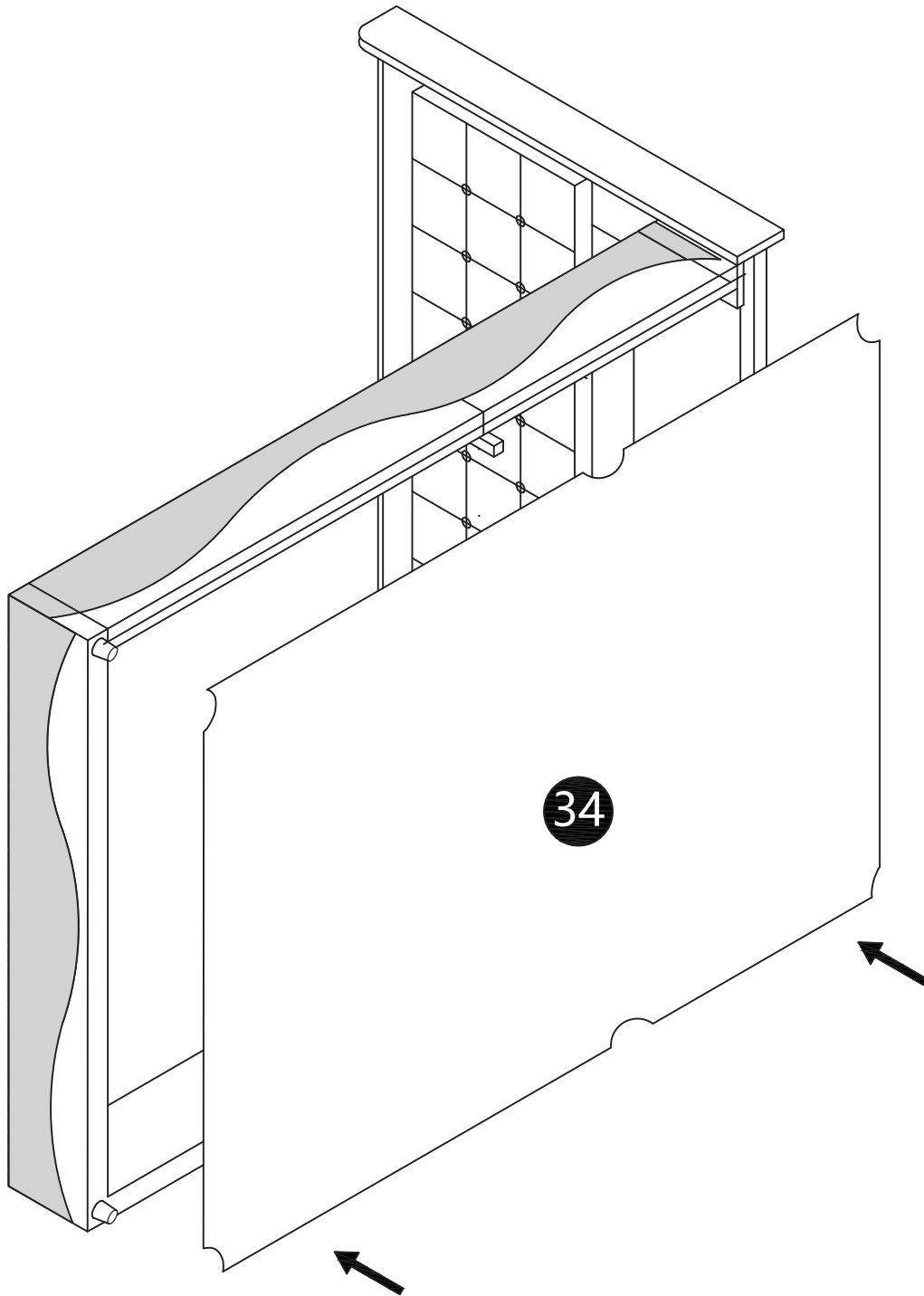
Tear off the anti stick
and stick the mute
sticker P on



Assembly Instruction

17

Please pay attention to safety and be careful of bumps and injuries.

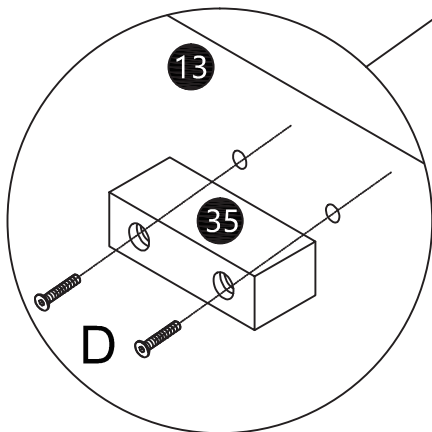
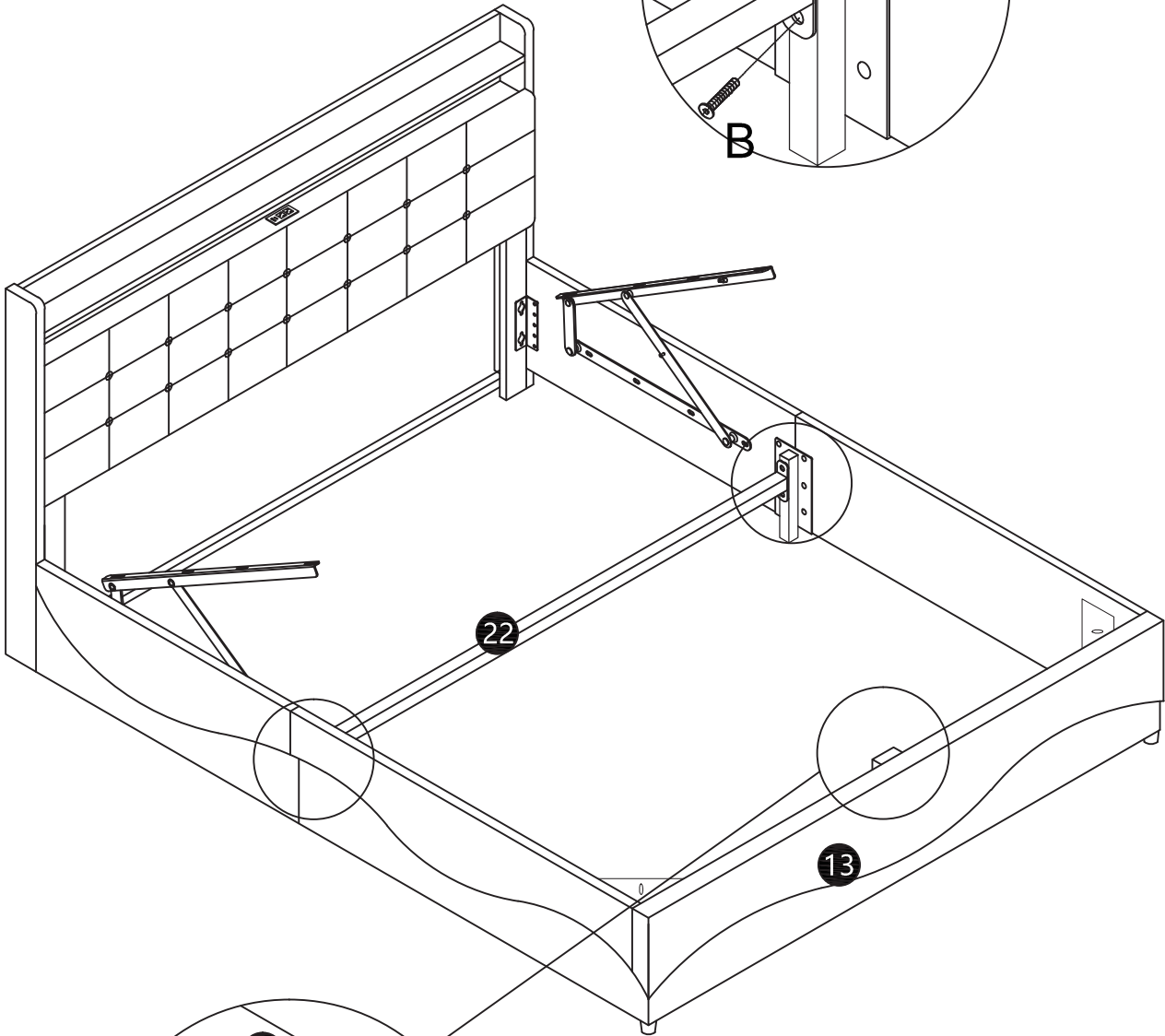
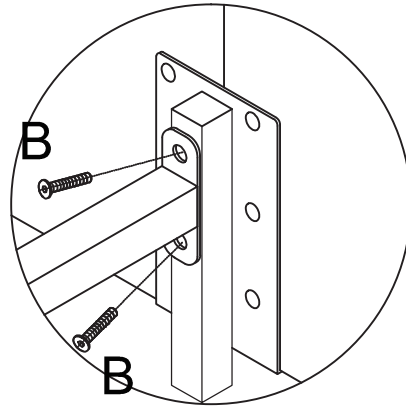


Assembly Instruction

18

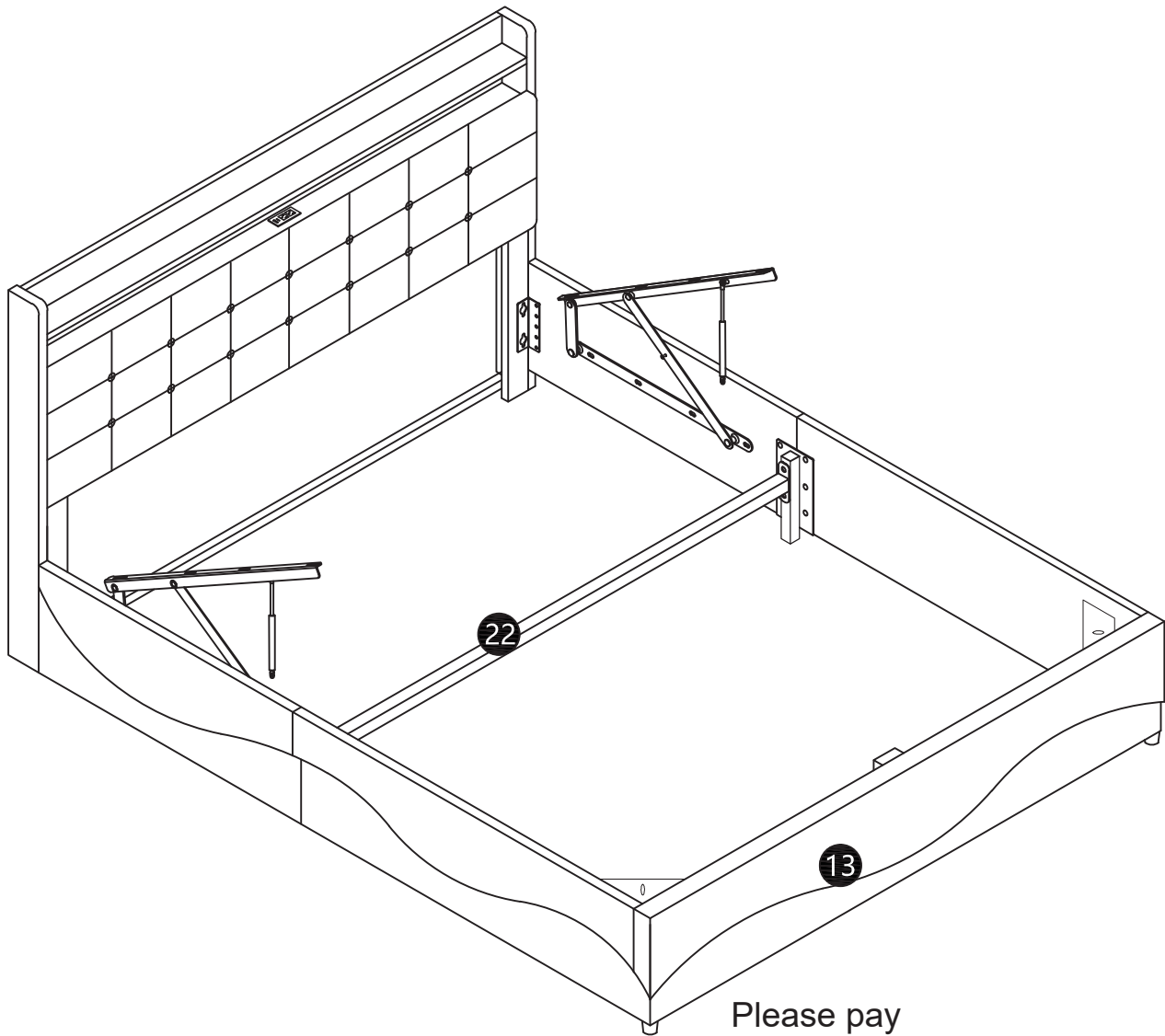
B M8*20
 x4

D M8*40
 x2

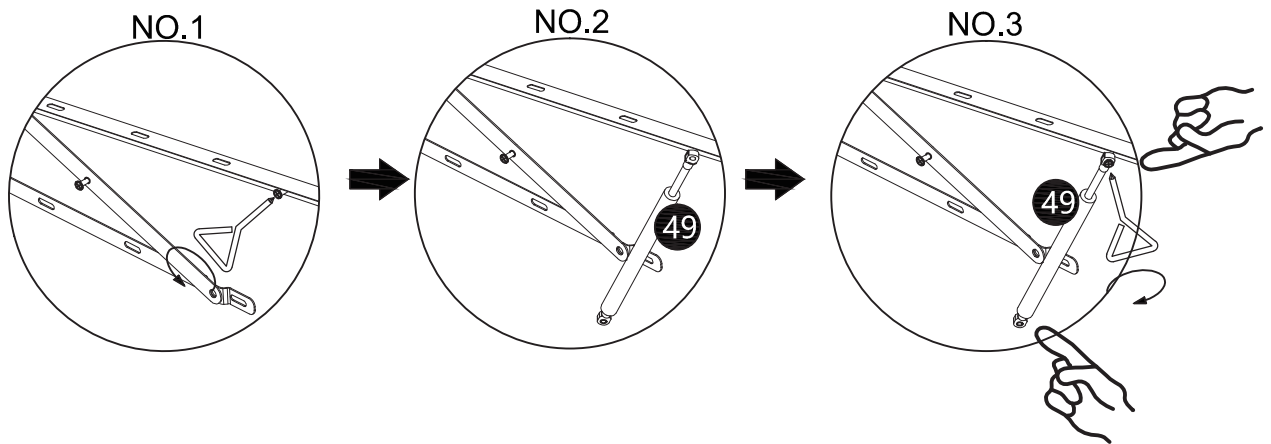


Assembly Instruction

19



Please pay attention to the installation direction



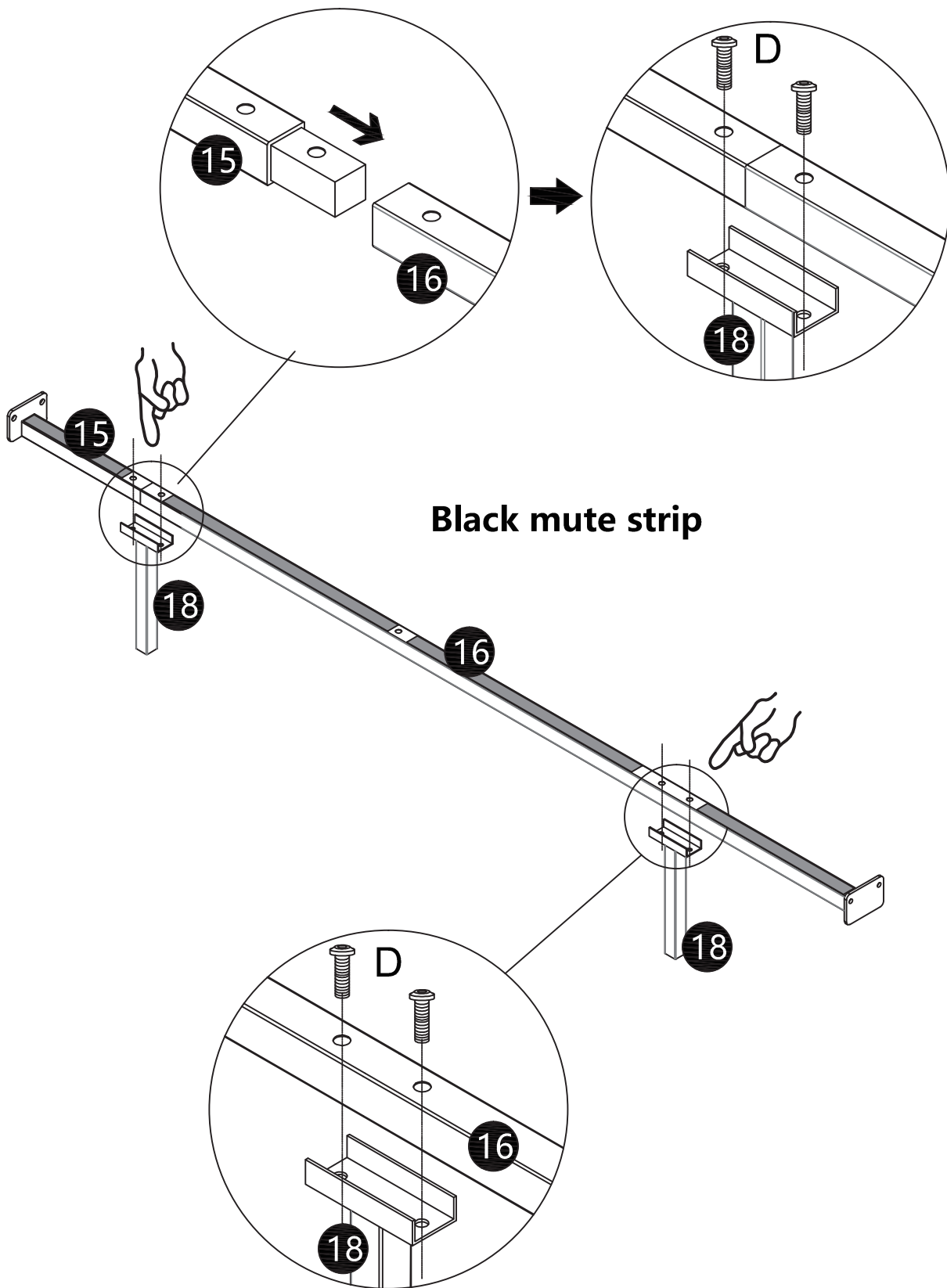
- NO.1 Turn out this screw counterclockwise, remove it.
- NO.2 As shown in the figure: Install the upper end of the air rod and pay attention to the direction of the air rod.
- NO.3 Lock the screws again.

Assembly Instruction

20

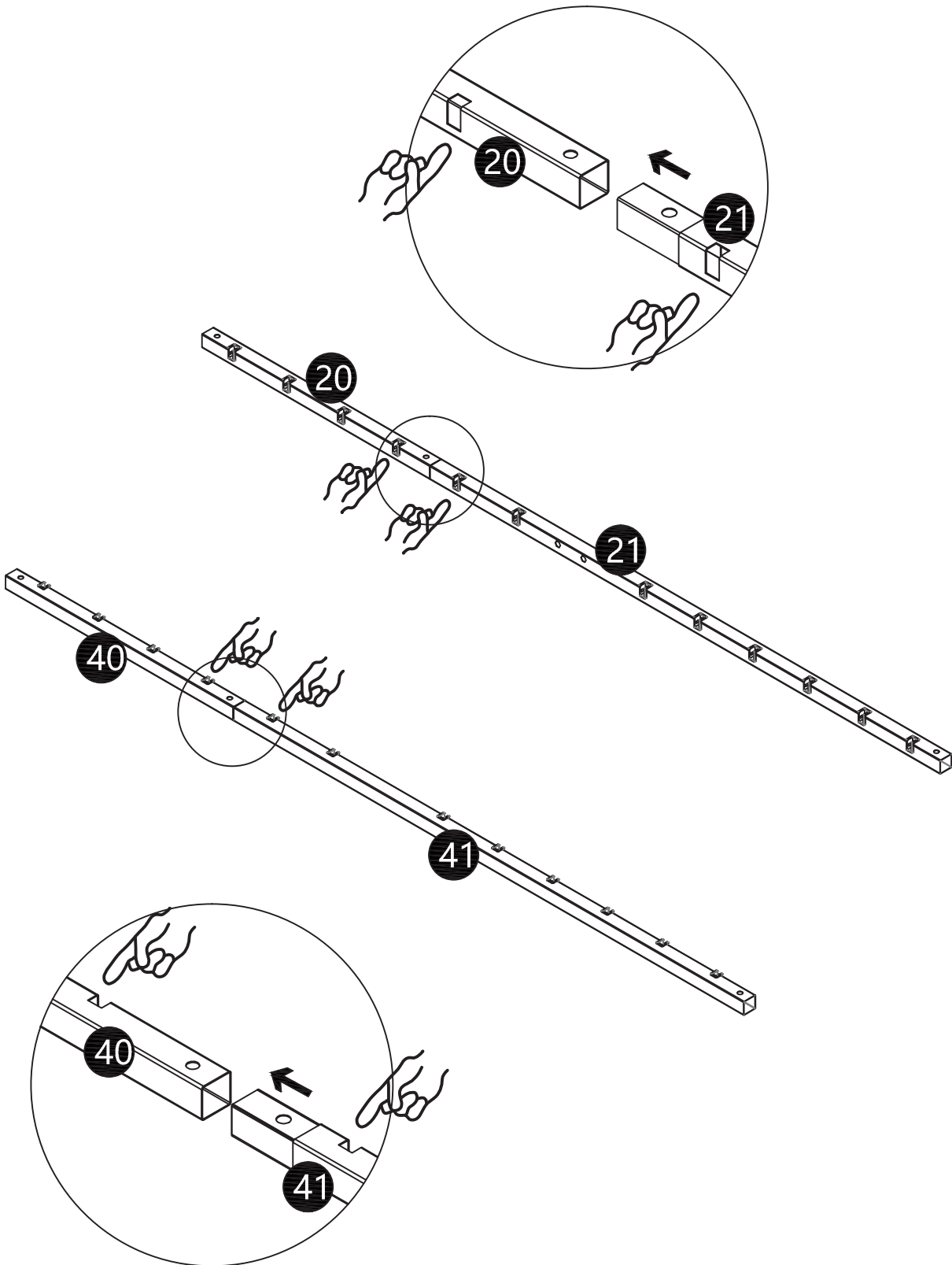
D M8*40

 x4



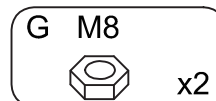
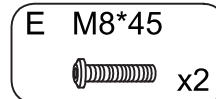
21

Please note that the gaps are in the same direction



Assembly Instruction

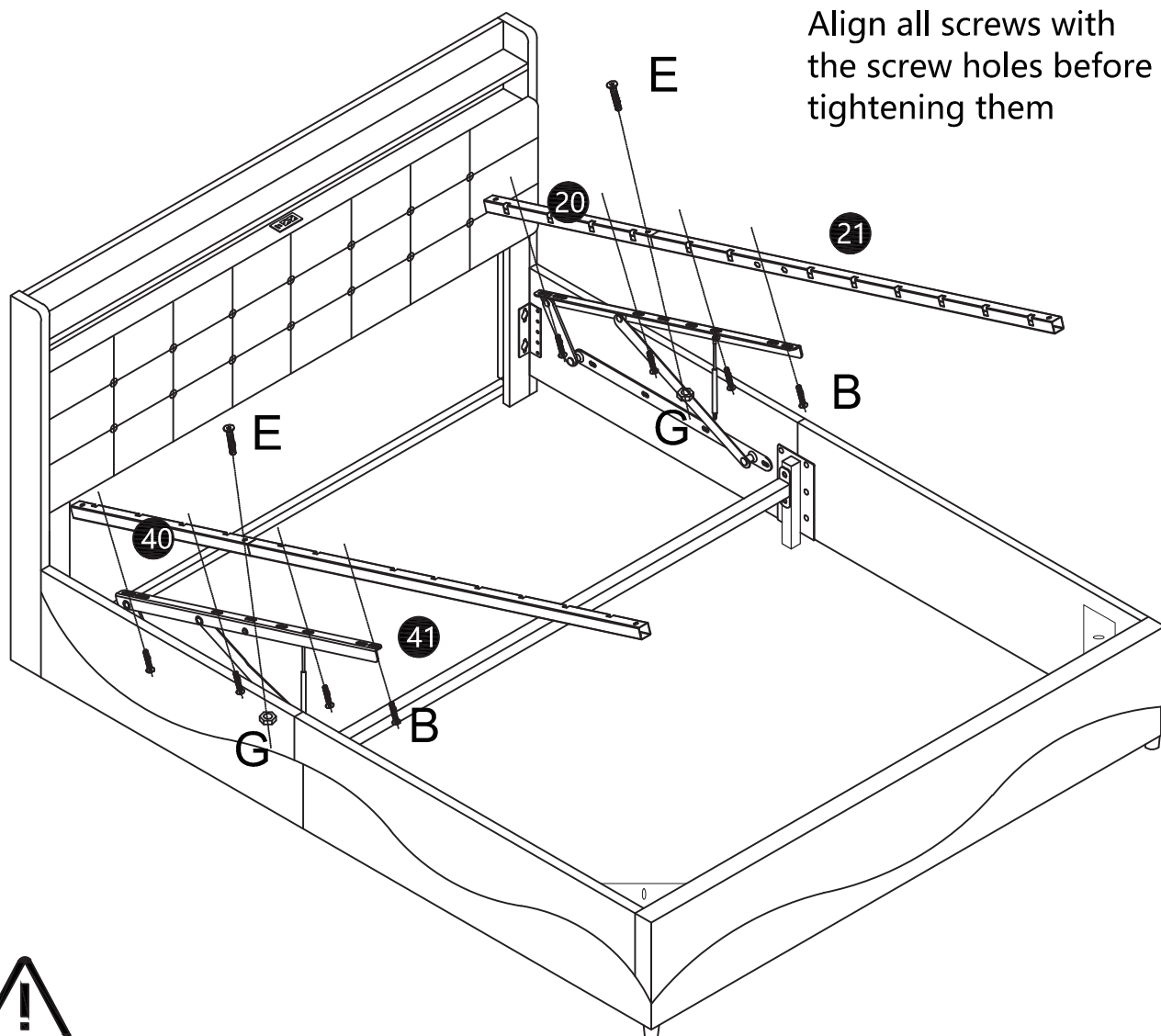
22



This step requires 2 people , prevent the iron frame from slipping off

1. You need someone to lift the iron frame to easily lock the screws on the side

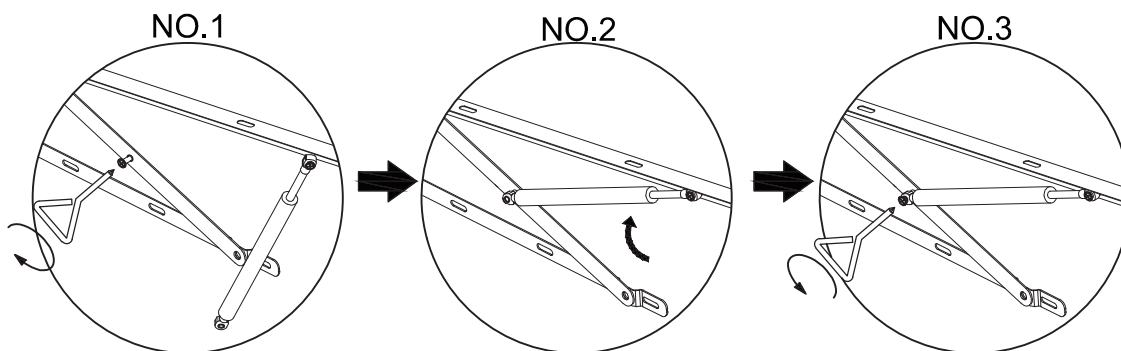
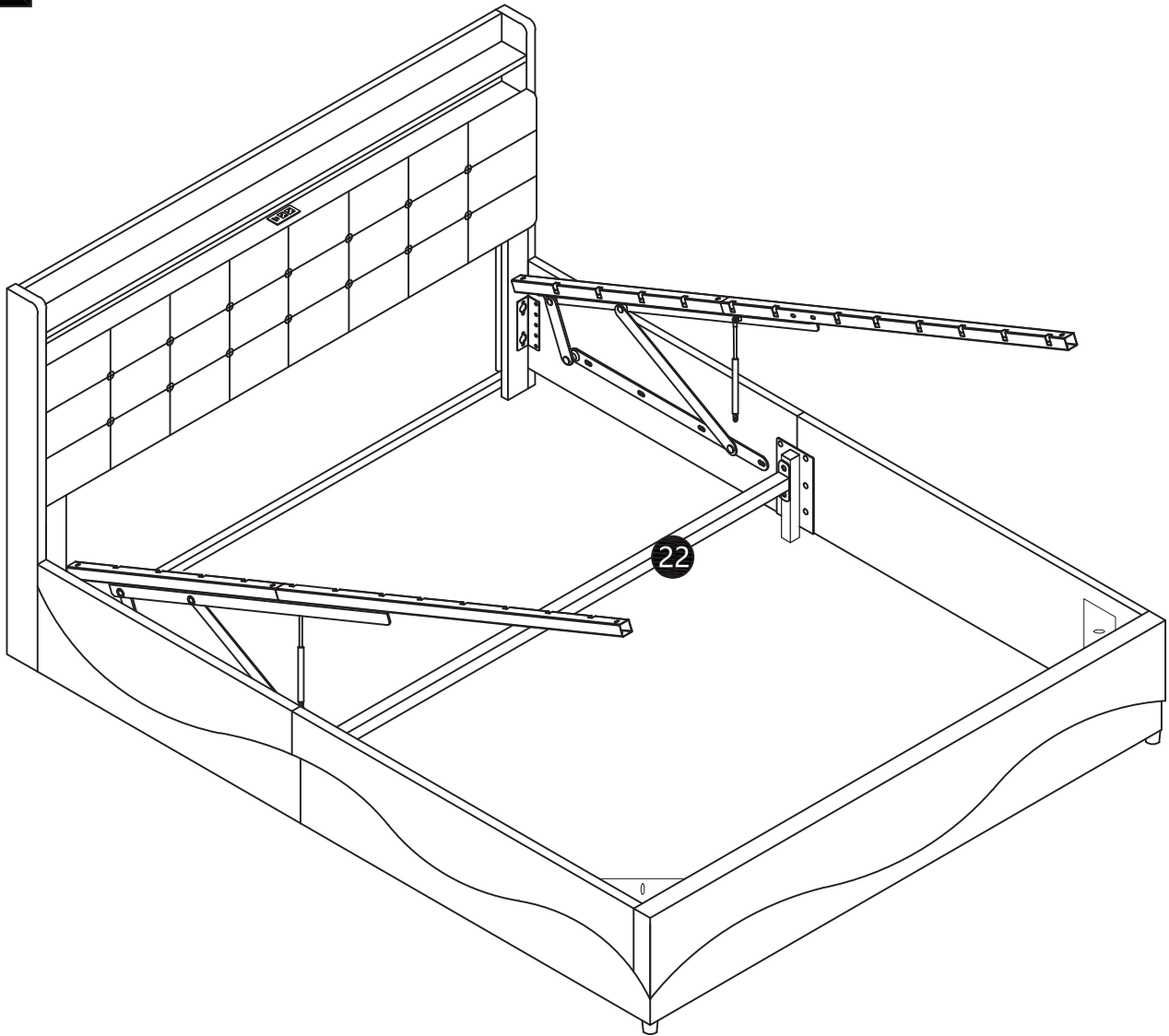
2. Please be patient in finding the hole that corresponds to the iron pipe and cylinder frame, and lock it with screws and nuts



When assembling 20/21 and 40/41, it is necessary to push 20 and 40 towards the head of the bed and then tighten the screws to prevent 19 from rubbing against the tail of the bed

Assembly Instruction

23



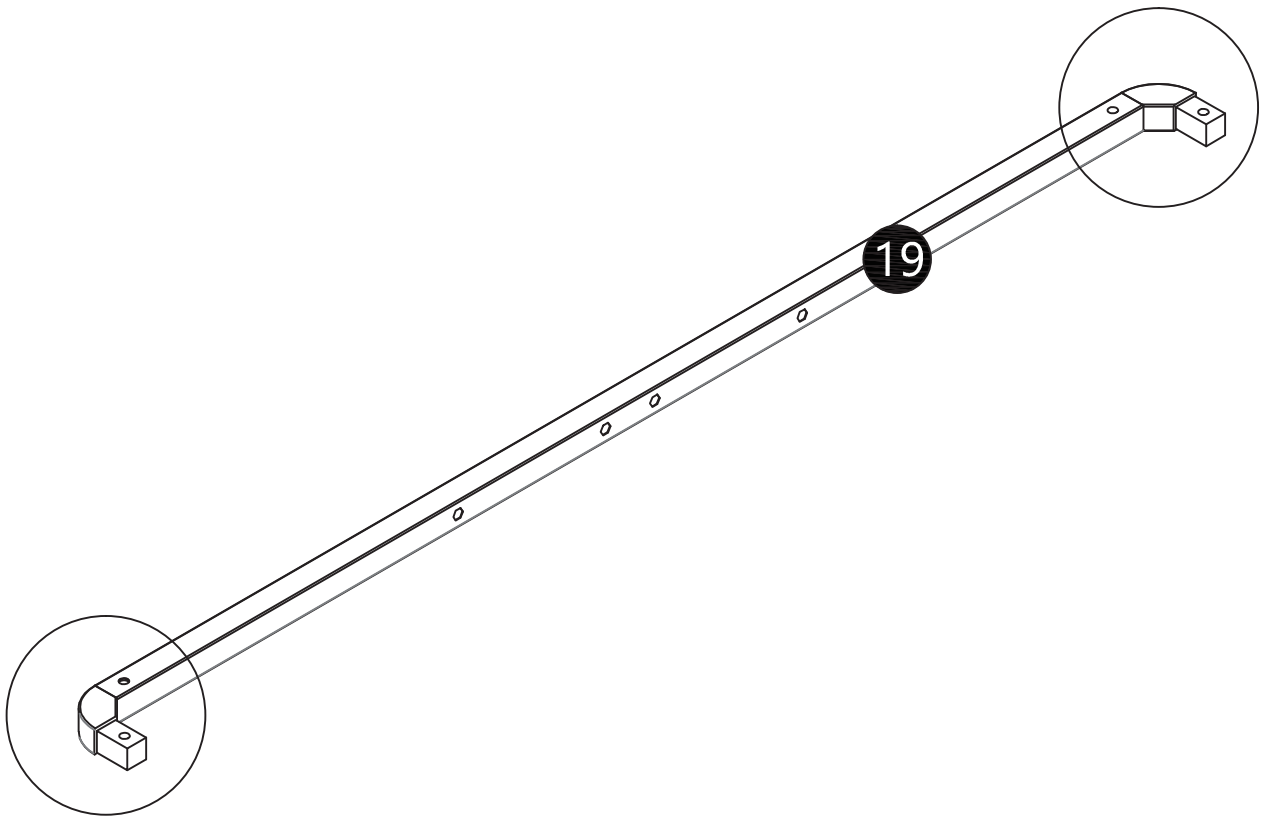
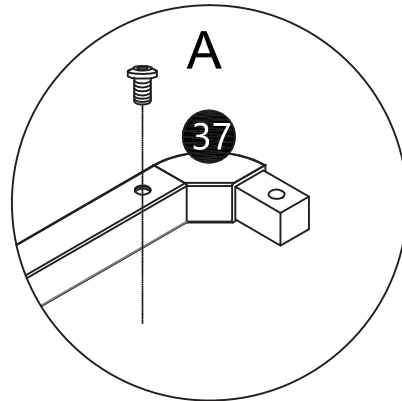
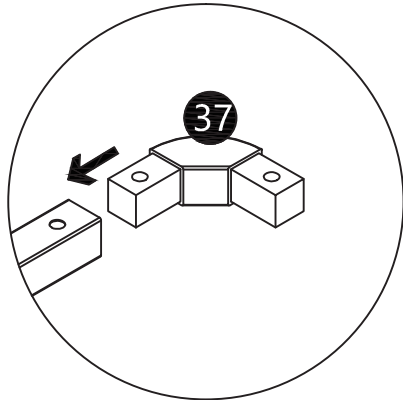
- NO.1 Turn out this screw counterclockwise, remove it.
- NO.2 As shown in the figure: Install the lower end of the air rod.
- NO.3 Lock the screws again.

Assembly Instruction

24

A M8*12

 x4



X 2

Assembly Instruction

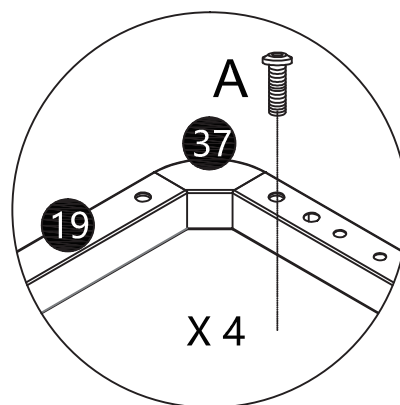
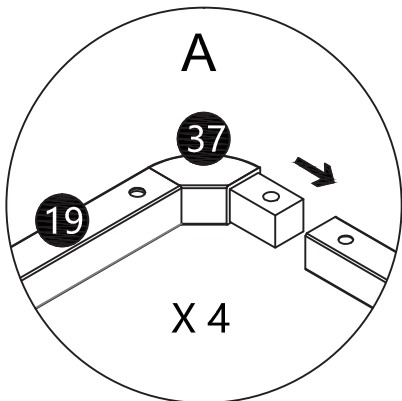
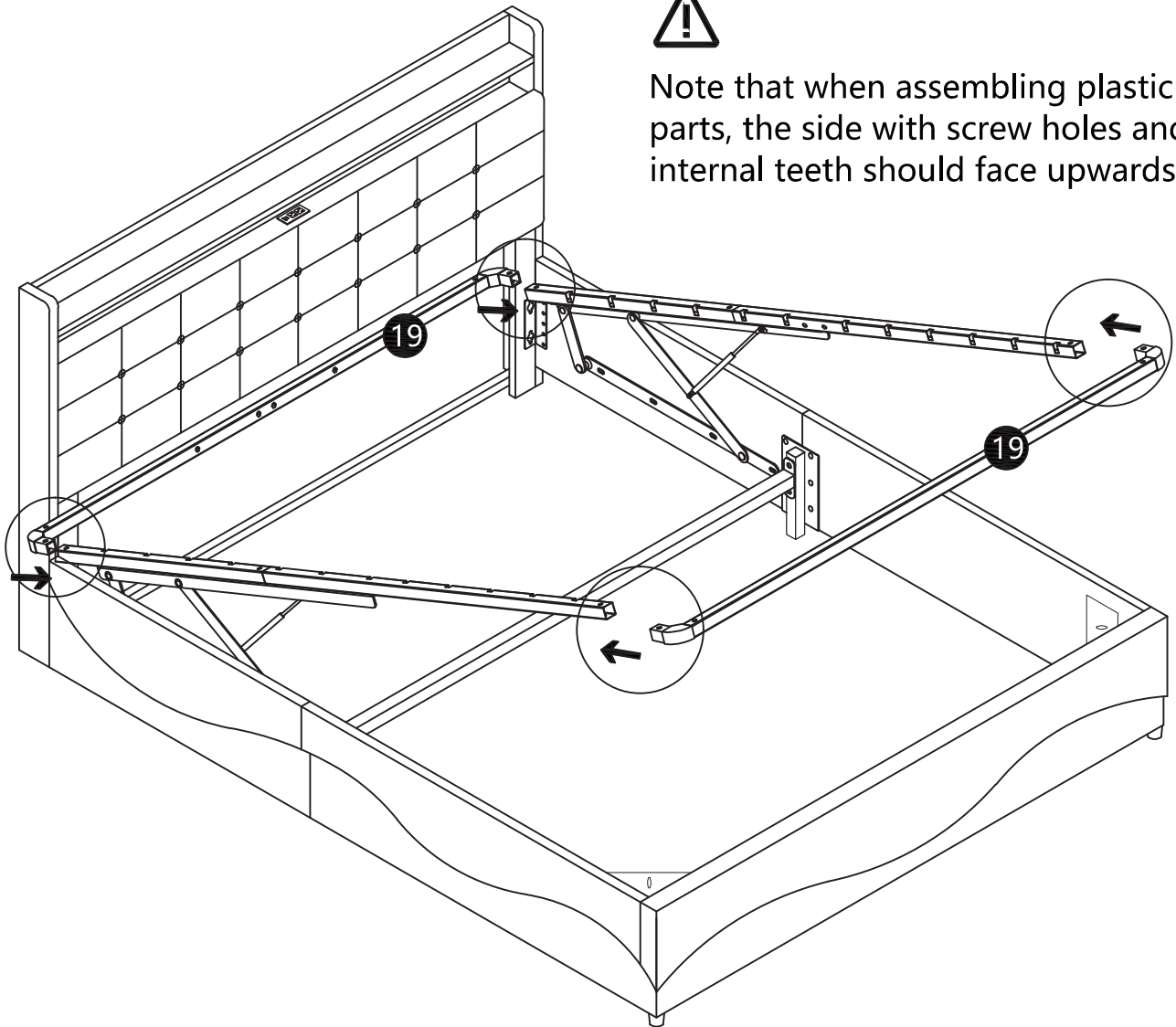
25

A M8*12

 x4



Note that when assembling plastic parts, the side with screw holes and internal teeth should face upwards

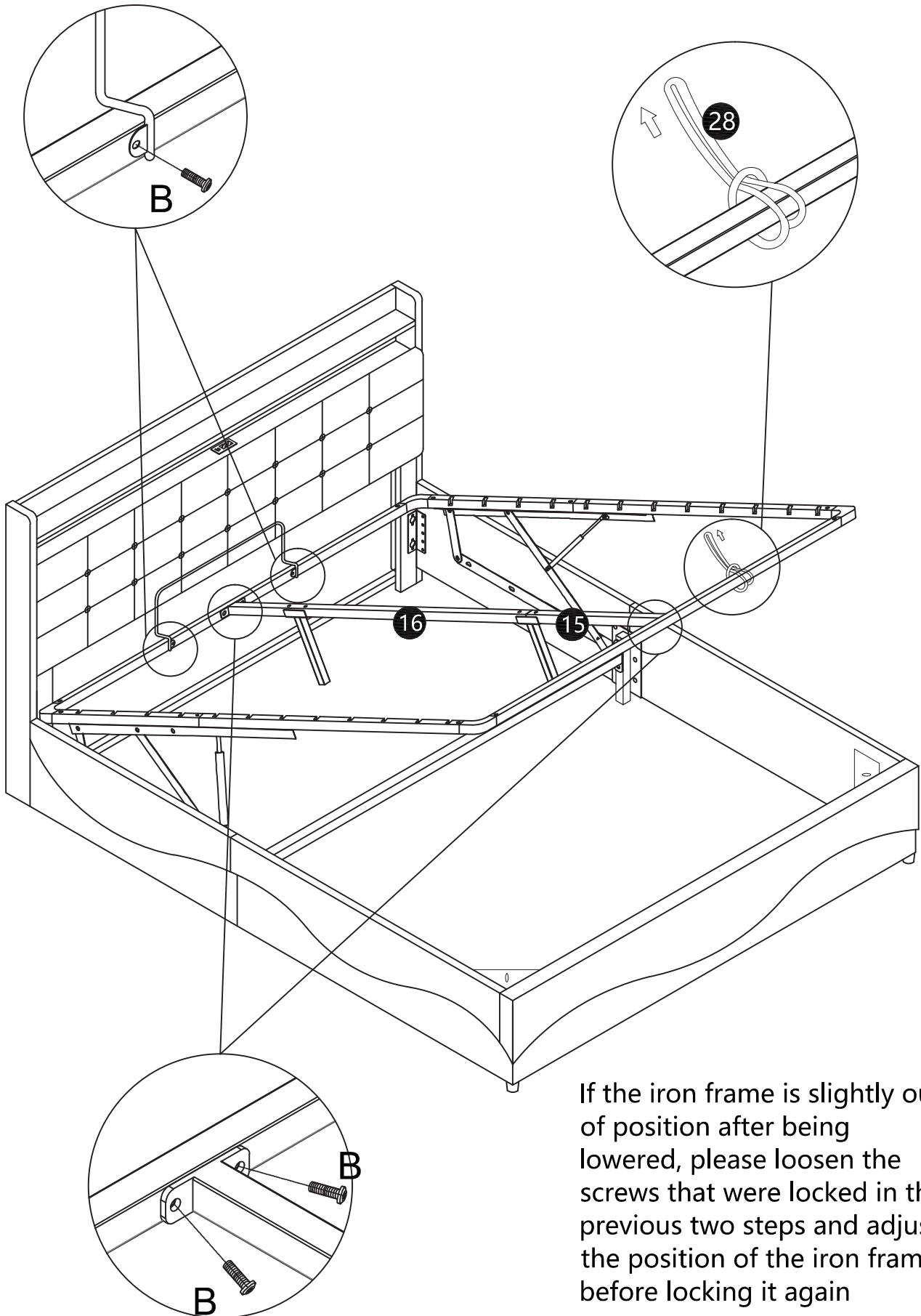


Assembly Instruction

26

B M8*20

 x6



If the iron frame is slightly out of position after being lowered, please loosen the screws that were locked in the previous two steps and adjust the position of the iron frame before locking it again

Assembly Instruction

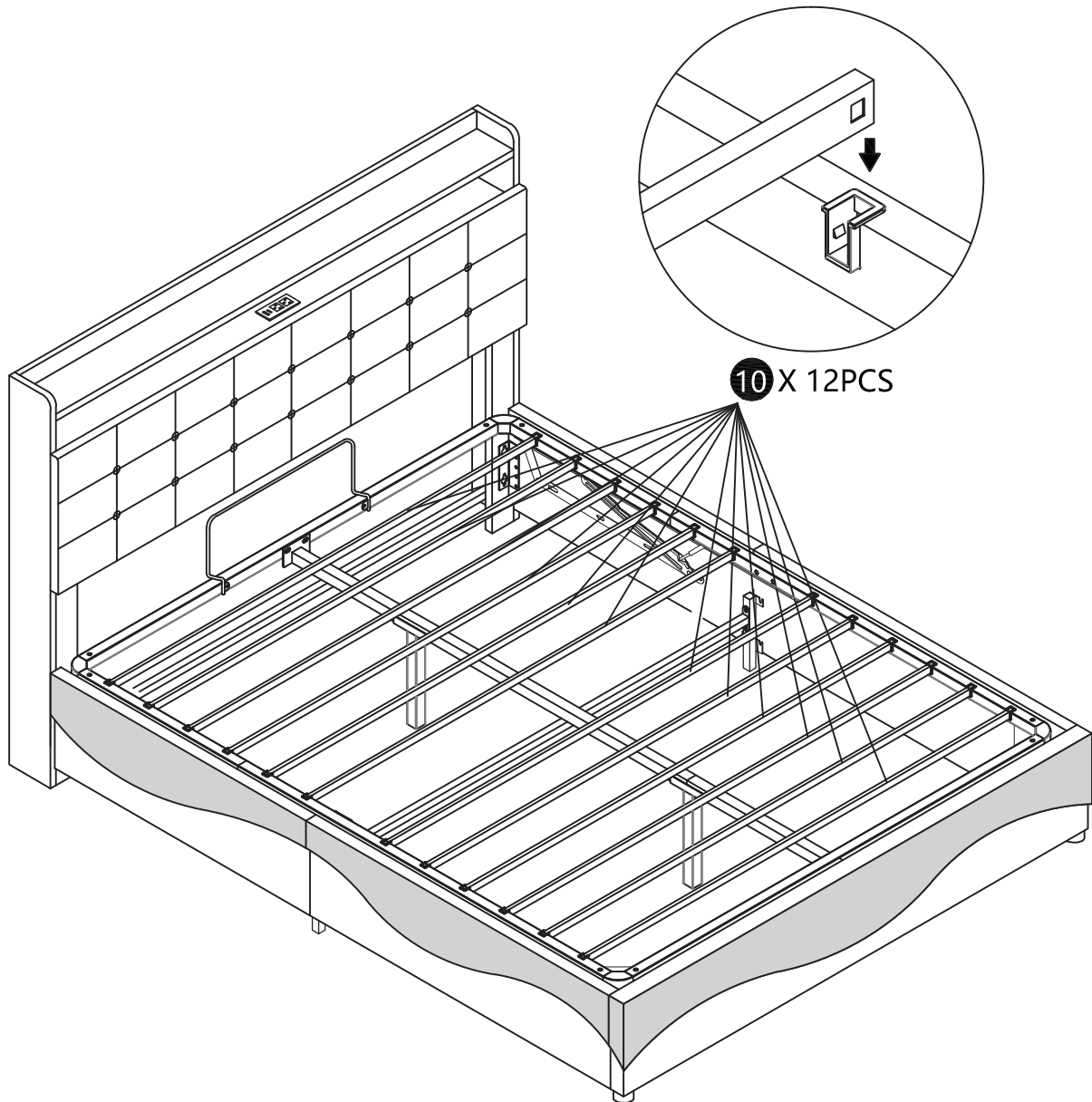
27



Please note:

If the air rod cannot be lowered when pressing,
please don't worry.


You can assemble the bed frame and put the
mattress on it before trying to press it again.

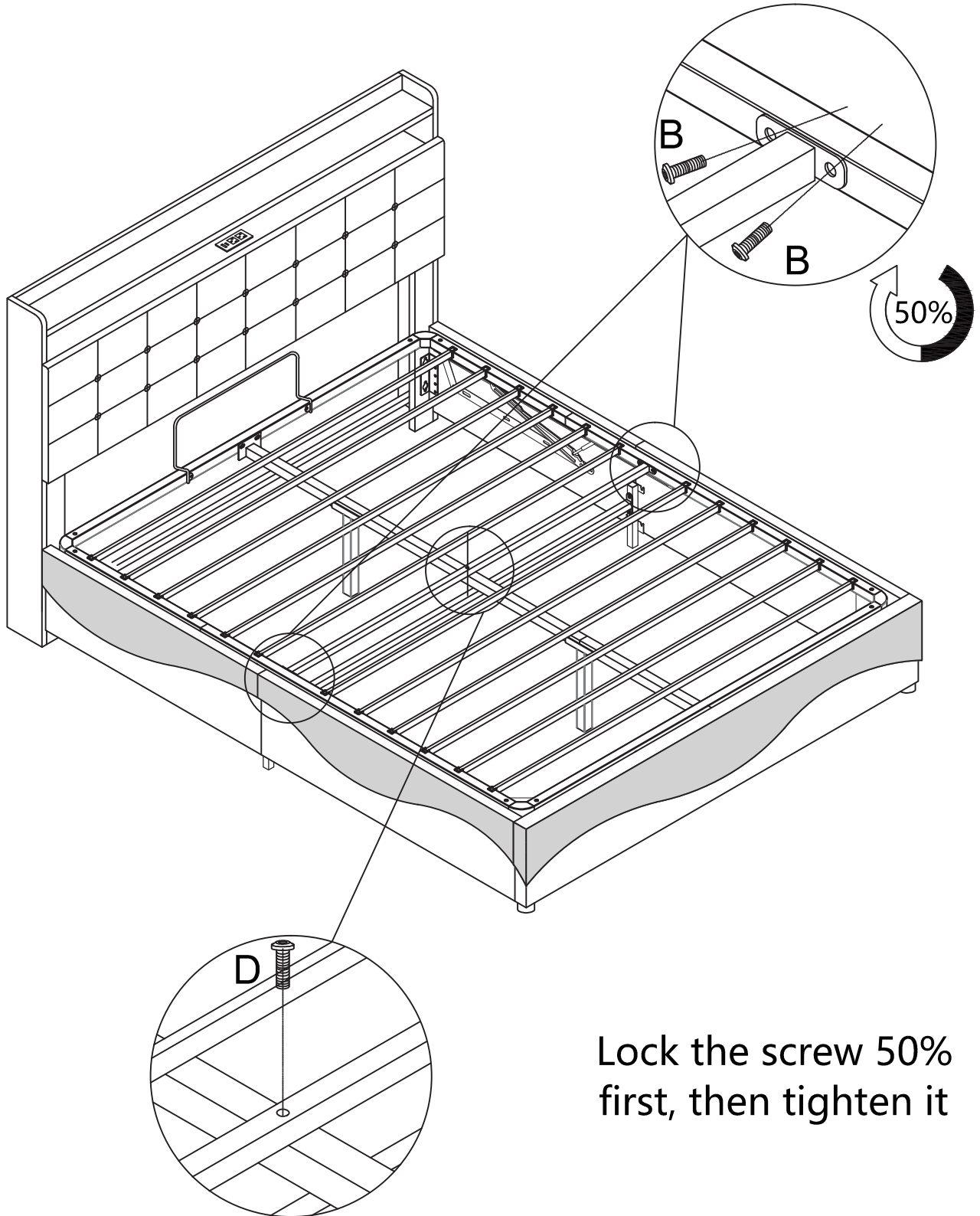


Assembly Instruction

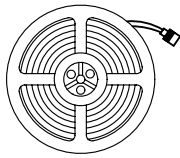
28

B M8*20
 x4

D M8*40
 x1



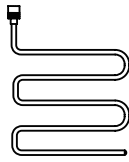
Lock the screw 50%
first, then tighten it



light strip



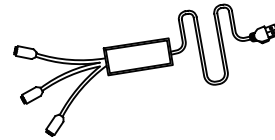
Pull out
and unfold



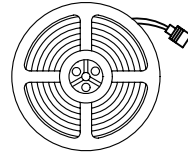
light strip

The unfolded light strip has a light strip surface on one side and a magic veneer on the other side.

LED related accessories

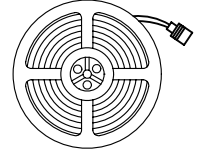


Power cord X1



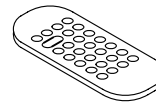
Long

Light strip X2



Short

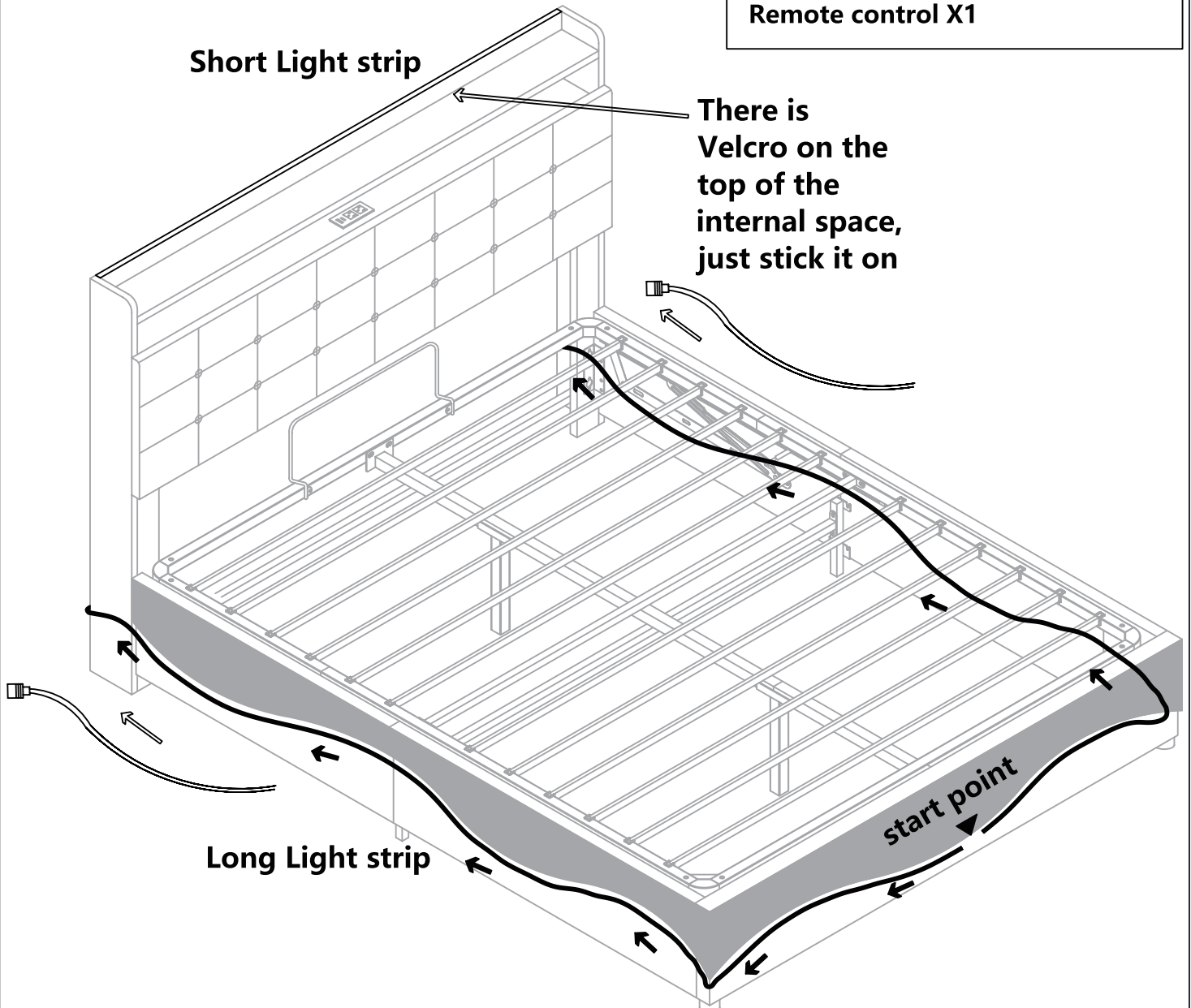
Light strip X1



Remote control X1

Short Light strip

There is
Velcro on the
top of the
internal space,
just stick it on

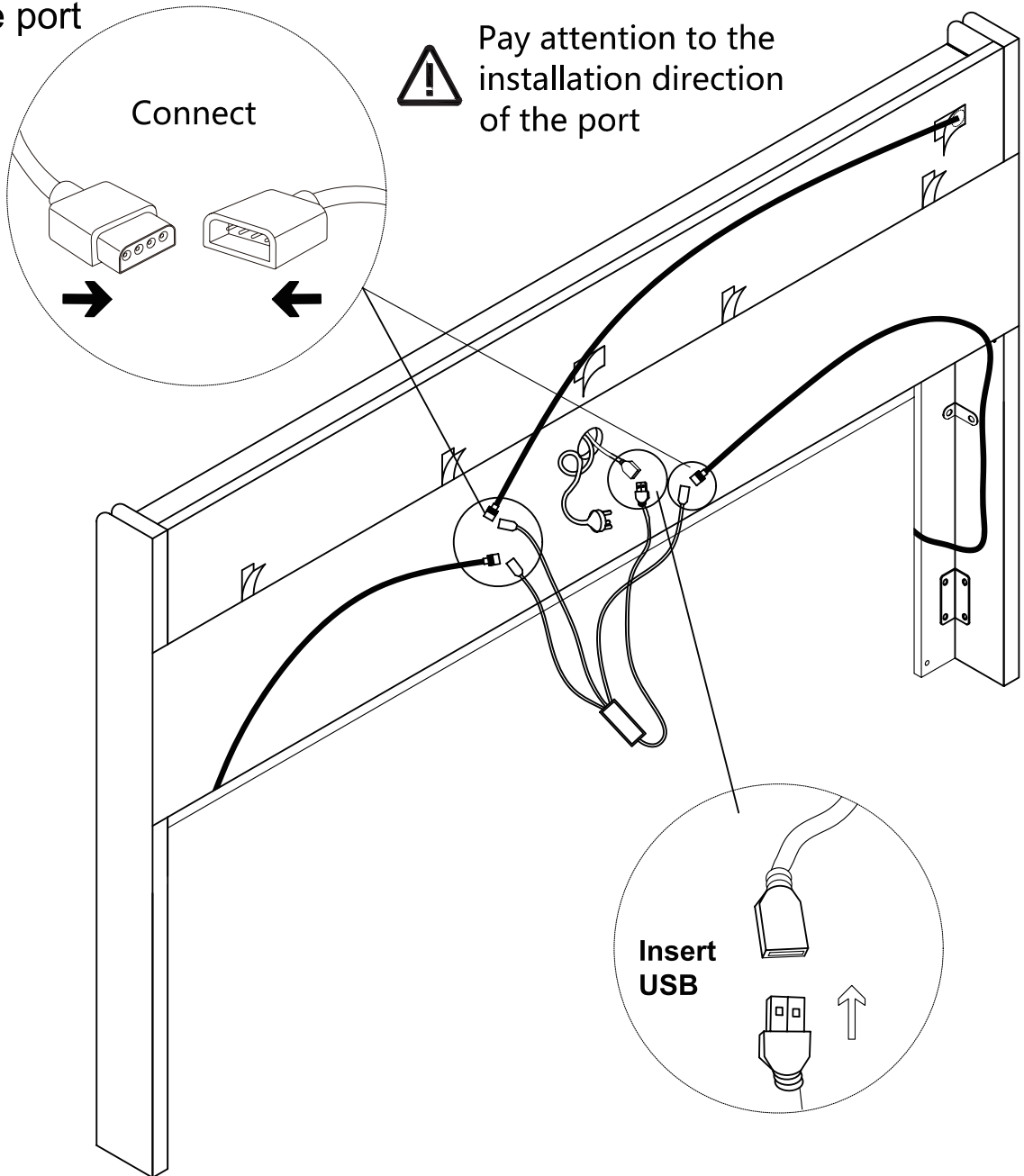


Long Light strip

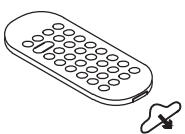
start point

30

There is a USB female port on the socket. Please plug the USB plug with power cord into this USB female port



After connecting all the lines, sort them out and clip them into the harness Magic Band



1PC Remote control

You can use the remote control to control the color and remove the plastic insert before use

The plug of the USB socket must be connected to the power supply before it can be used !!!