

Features

- Overflow drain with included K-4061 Polished Chrome cap.
- No faucet holes; requires wall- or counter-mount faucet.

Material

- Fireclay.

Installation

- Vessel.

Recommended Products/Accessories

- K-23726 Drain treatment
- K-23725 Cast iron cleaner



ADA

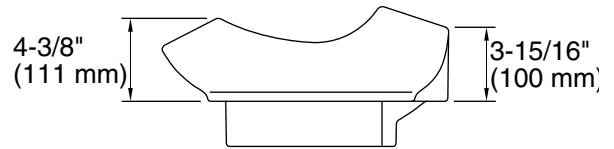
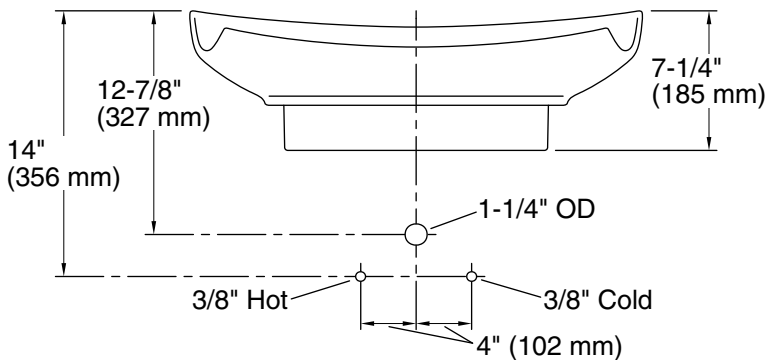
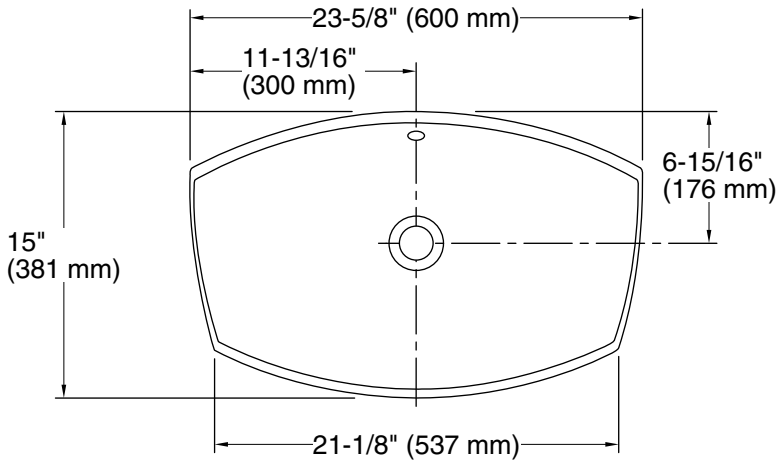
CSA B651

Codes/Standards

ASME A112.19.2/CSA B45.1
ADA
ICC/ANSI A117.1
CSA B651

KOHLER® One-Year Limited Warranty

See website for detailed warranty information.



Technical Information

All product dimensions are nominal.

Bowl configuration:	Single
Installation:	Vessel
Bowl area:	Length: 23" (584 mm) Width: 13-3/4" (349 mm) Water depth: 1-15/16" (49 mm)
Drain hole:	1-11/16" (43 mm)
Template:	1095093-7, required, included

Notes

Install this product according to the installation instructions.

ADA, CSA B651 compliant when installed to the specific requirements of these regulations.