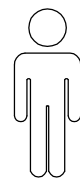
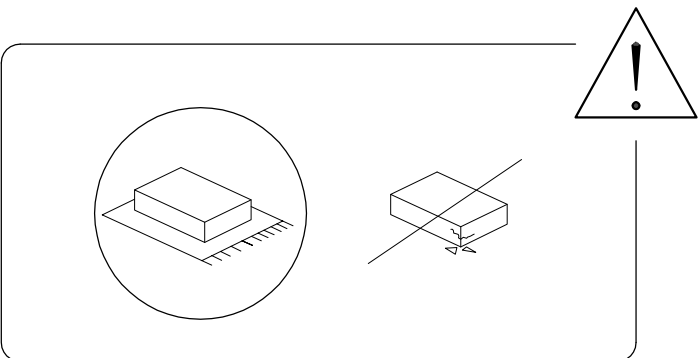
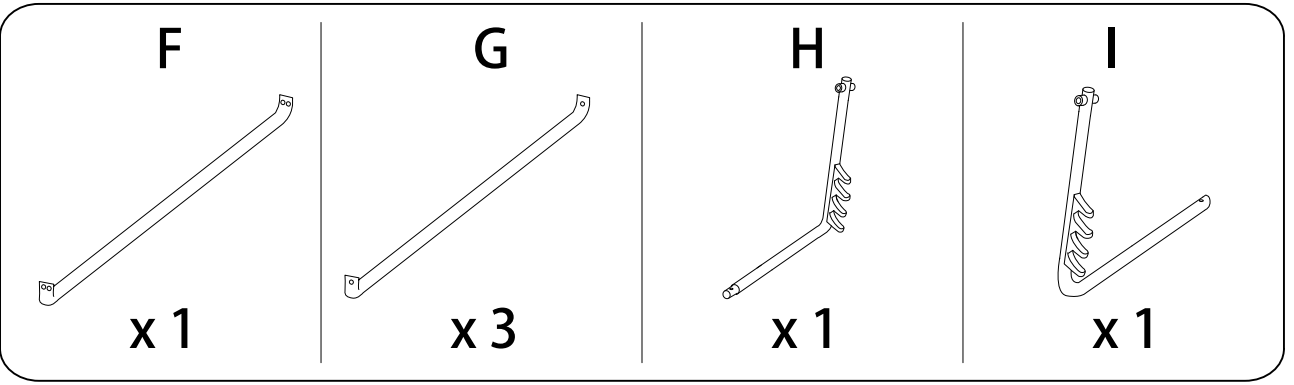
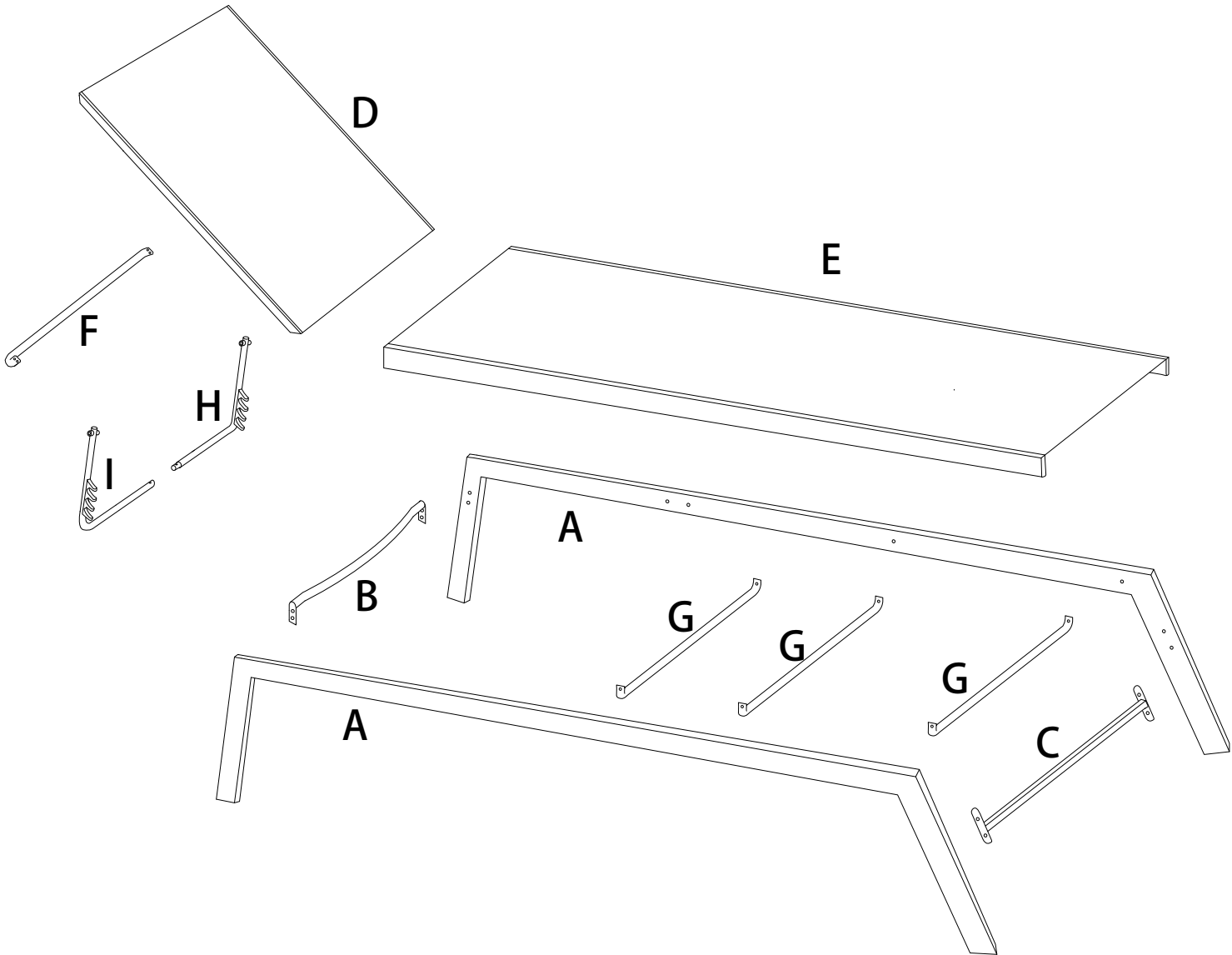
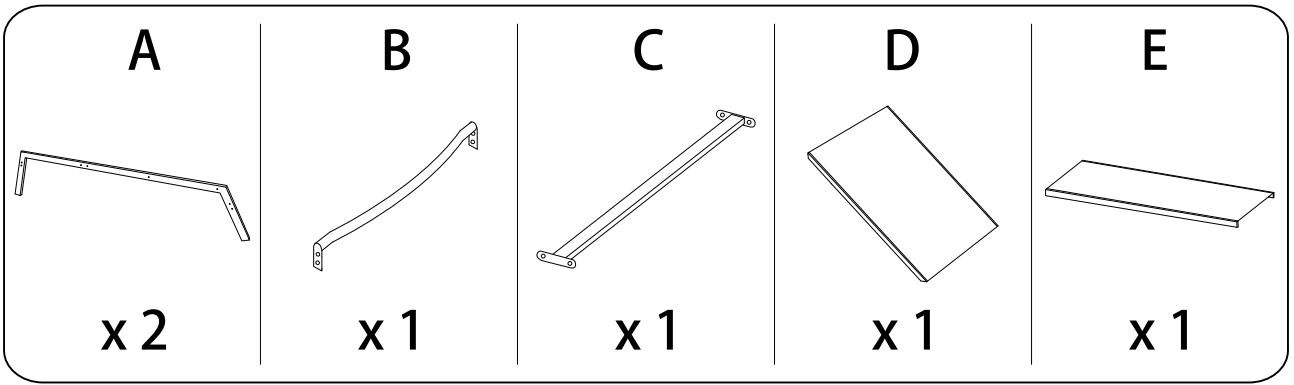


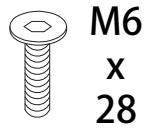
30'



1

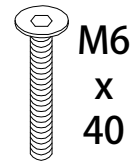


J



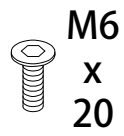
x 8

K



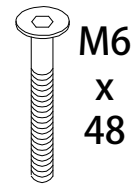
x 8

L



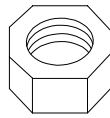
x 6

M



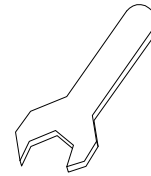
x 2

N



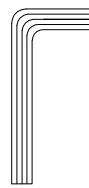
x 8

O




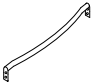

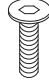
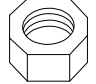


x 1

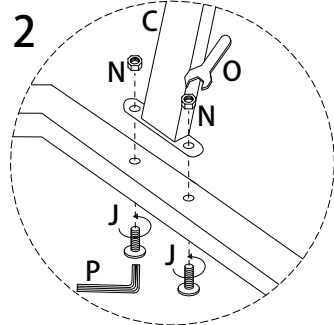
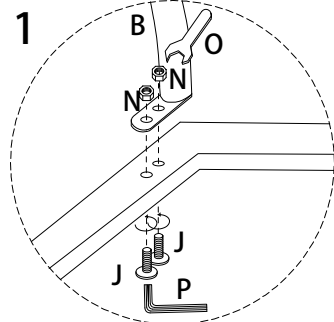
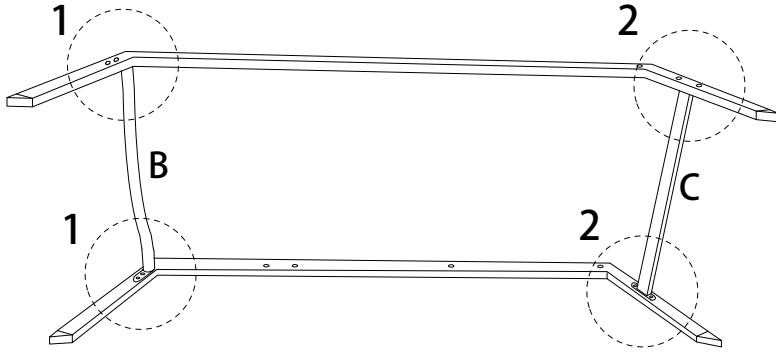
P




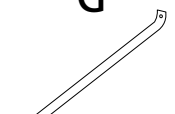


x 1

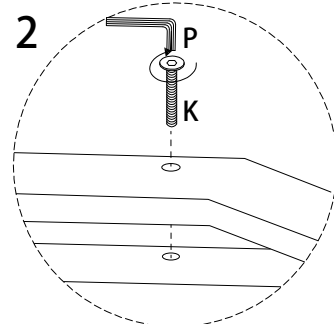
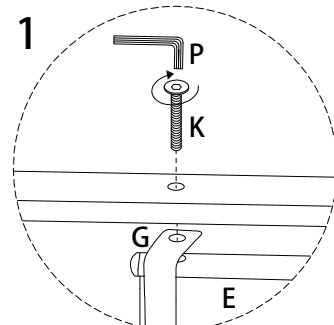
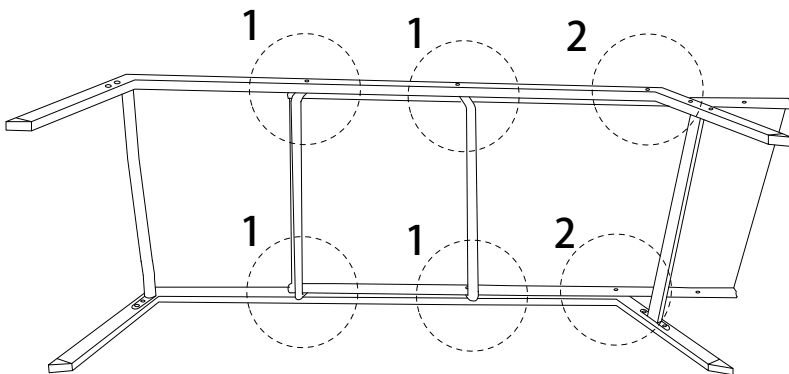
1

A  x2	B  x1	C  x1	J  M6 x 28 x8	N  x8	O  x1	P  x1
---	---	---	--	--	---	---

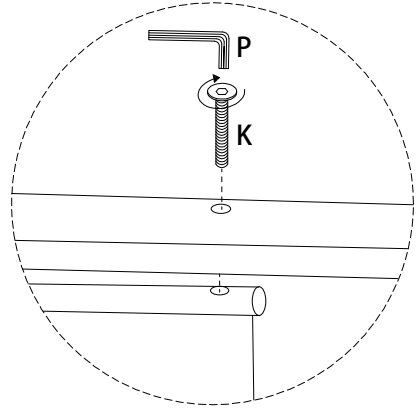
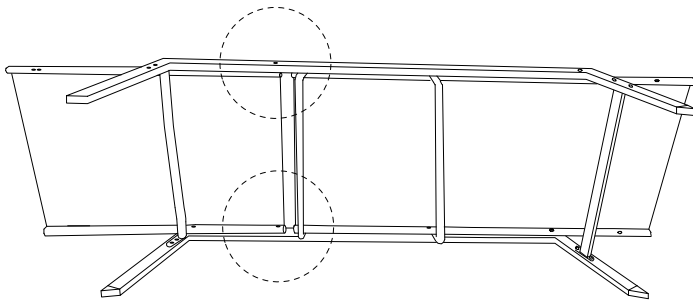
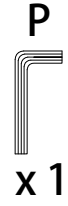
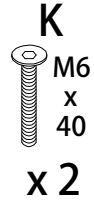
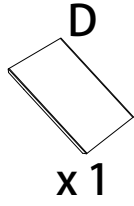


2

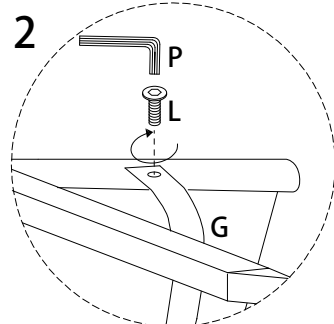
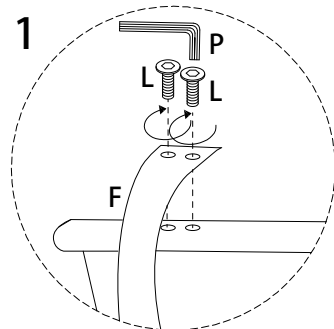
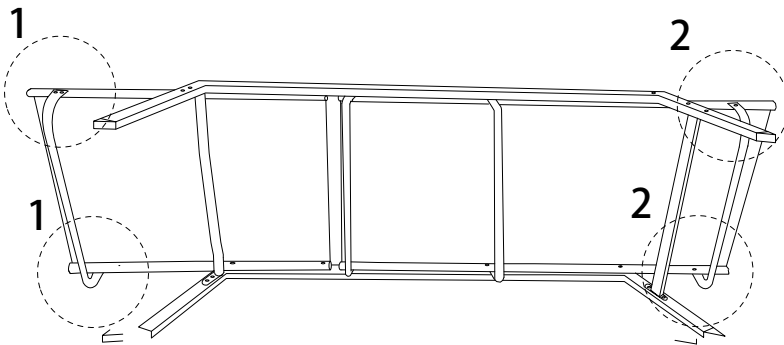
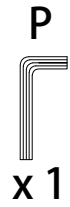
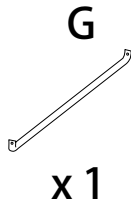
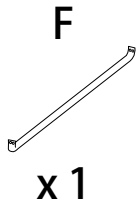
E  x1	G  x2	K  M6 x 40 x6	P  x1
---	---	---	---



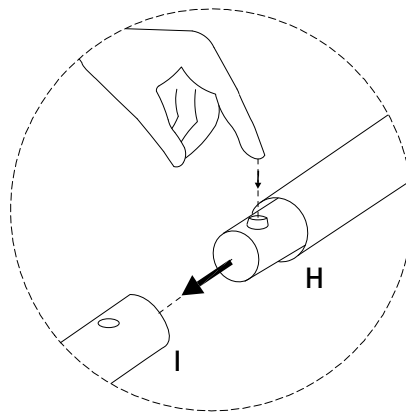
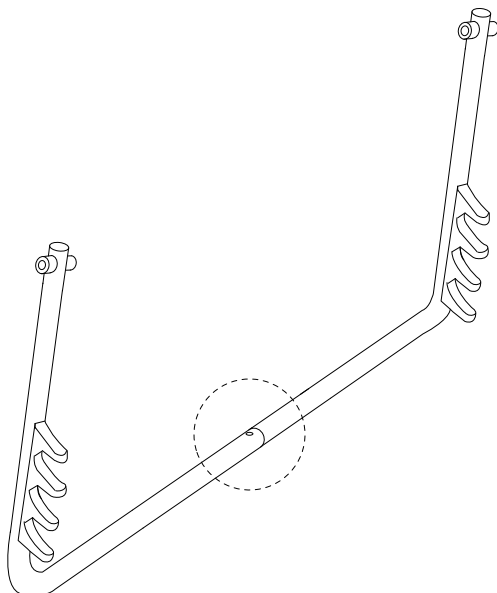
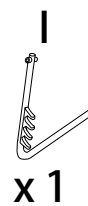
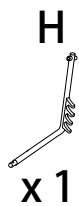
3



4



5



6

