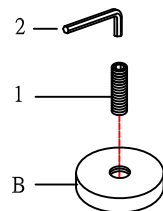




THANK YOU FOR PURCHASING THIS QUALITY PRODUCT.

BE SURE TO CHECK ALL PACKING MATERIAL CAREFULLY FOR SMALL PARTS THAT MAY HAVE COME LOOSE INSIDE THE CARTON DURING TRANSIT.



Step 1



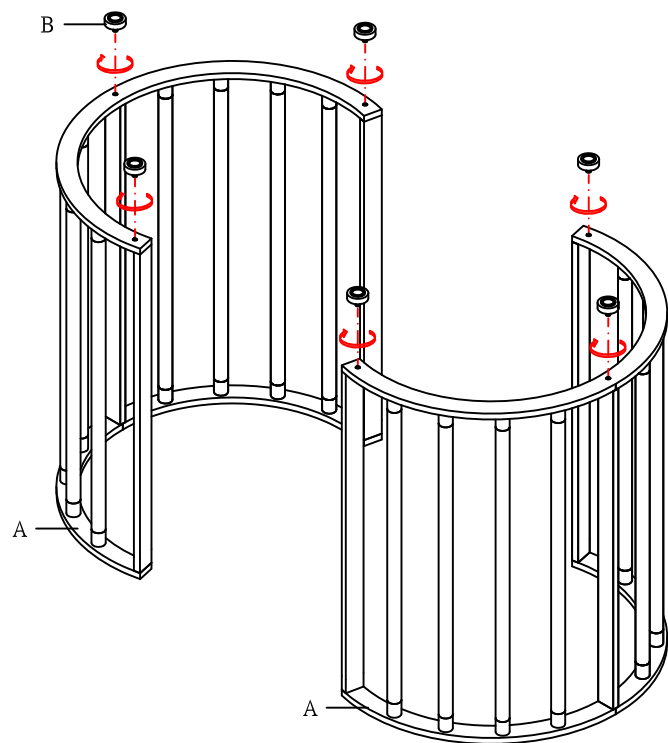
HARDWARE LIST:

| NO | DESCRIPTION | SIZE(mm) | SKETCH | QTY |
|----|-------------|----------|---|------|
| 1 | SHORT SCREW | M8*20 |  | 6PCS |
| 2 | ALLEN KEY | 4 |  | 1PC |

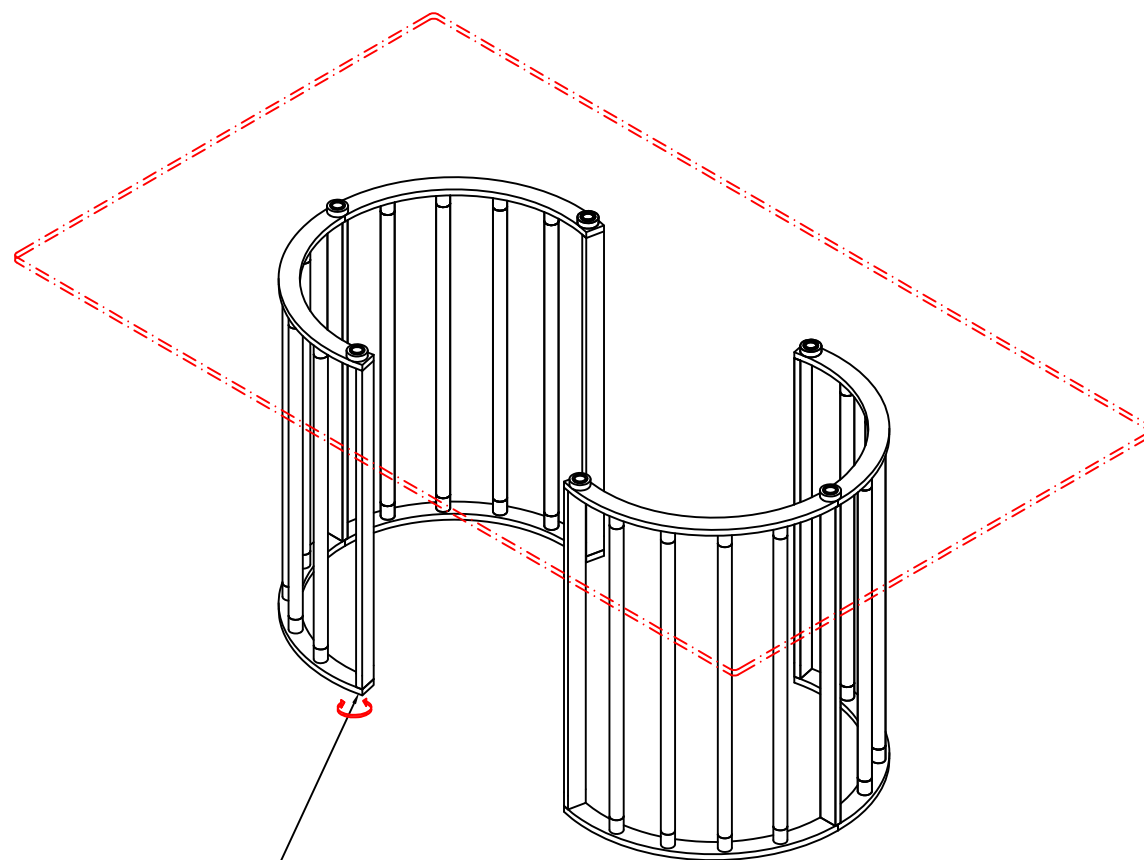
PARTS LIST:

| NO | DESCRIPTION | SIZE(mm) | SKETCH | QTY |
|----|-------------|--------------|---|------|
| A | LEG | 630*388*74.4 |  | 2PCS |
| B | PUCK | ∅38*12 |  | 6PCS |

Step 2



FINISH



ADJUST THE GLIDES IF NEEDED