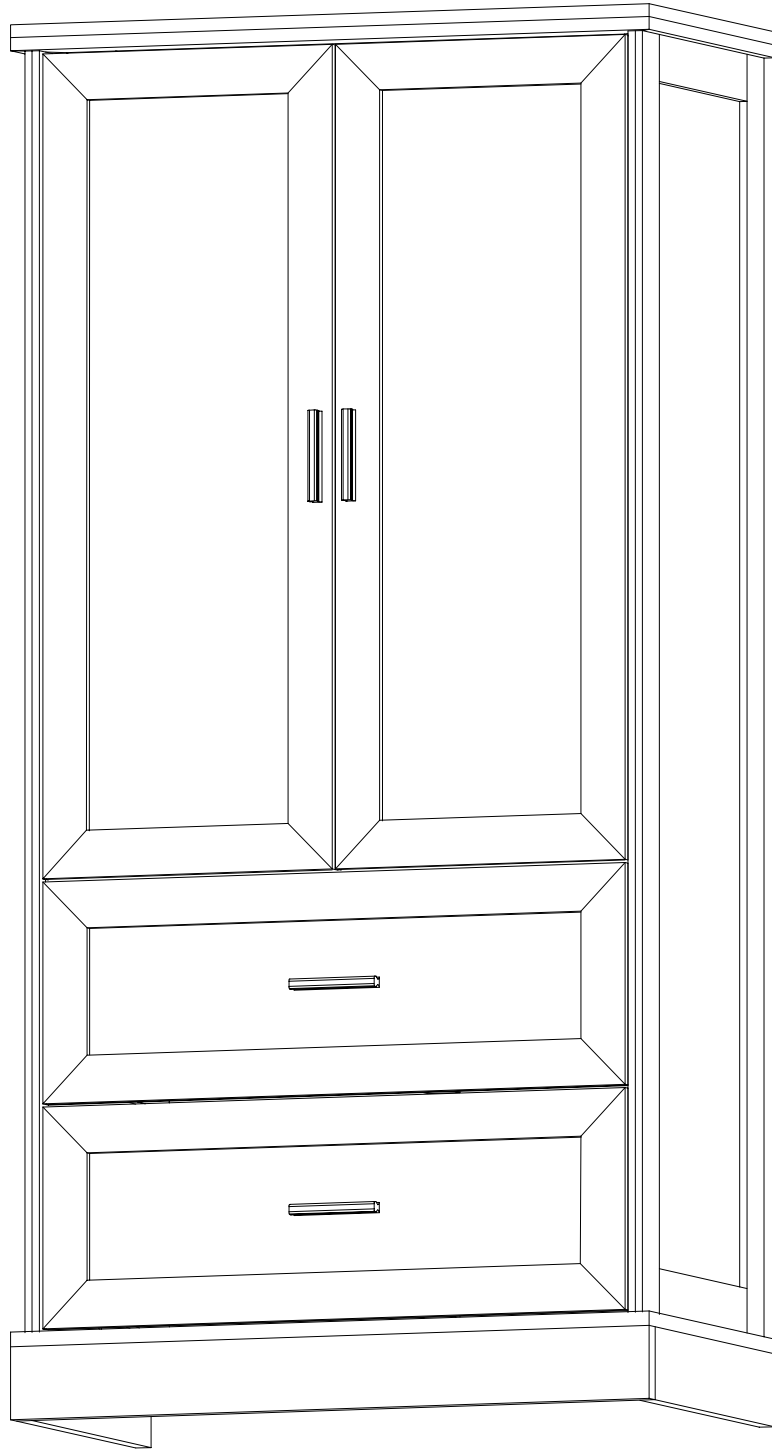
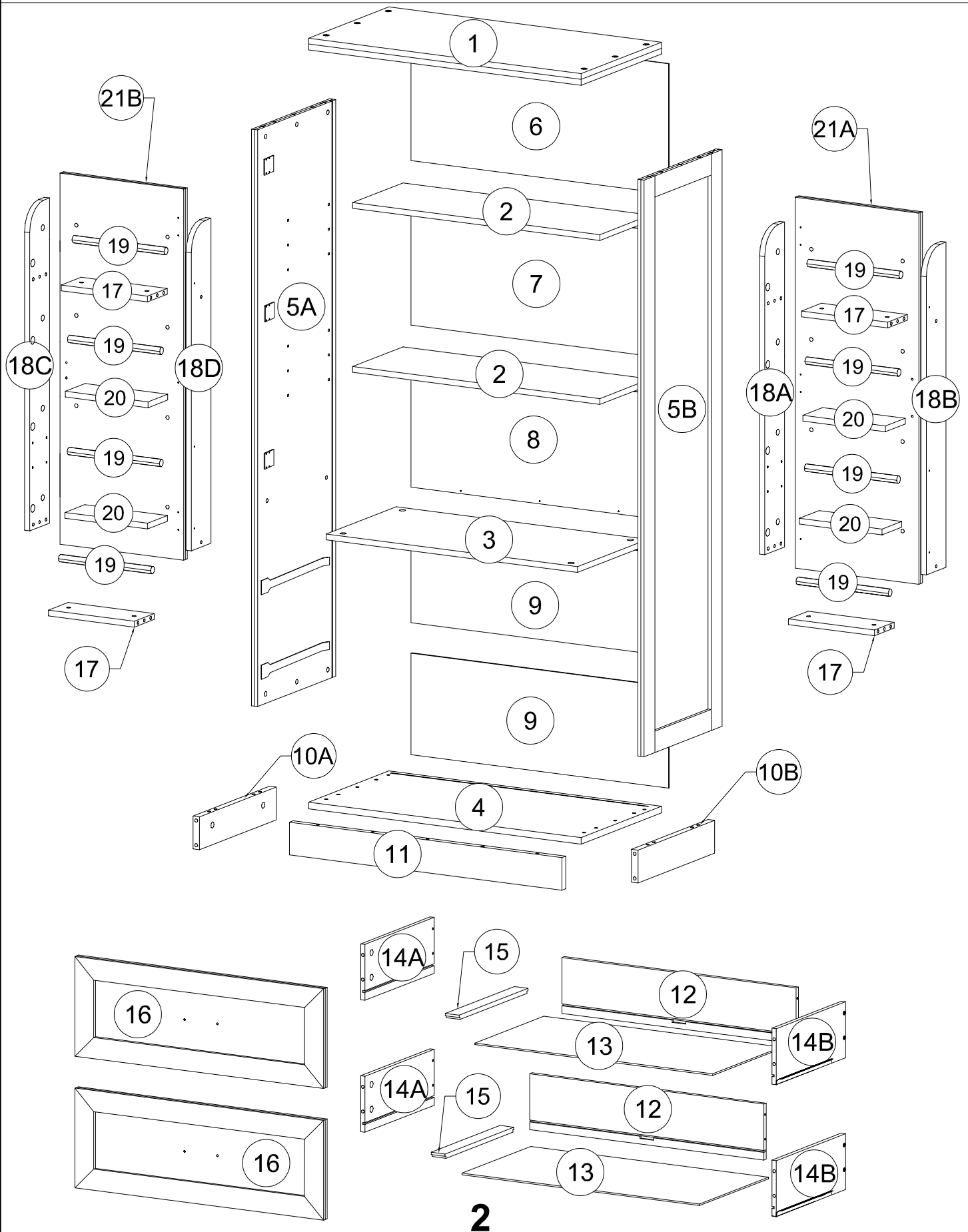


# ASSEMBLY INSTRUCTION

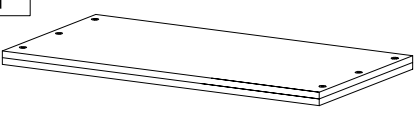
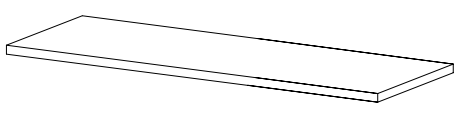
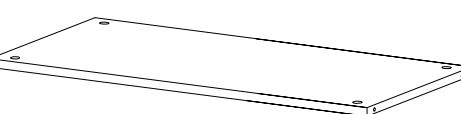
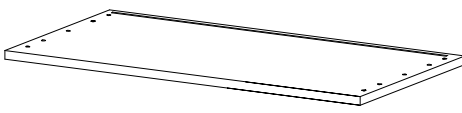
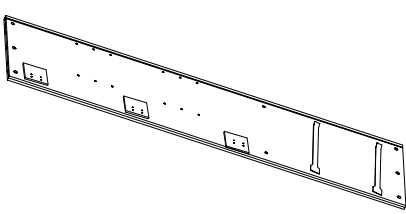
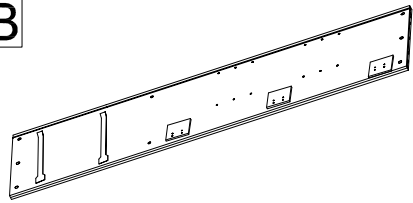
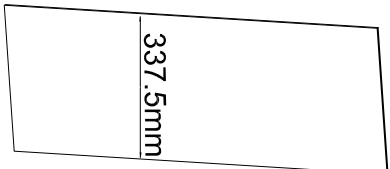
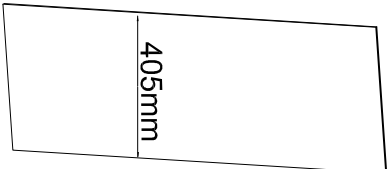
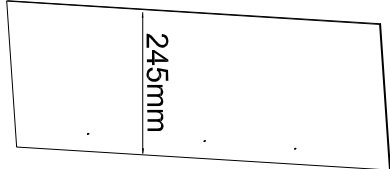
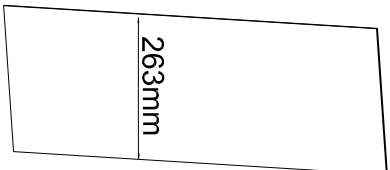
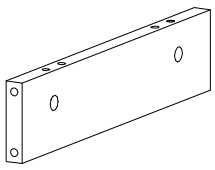
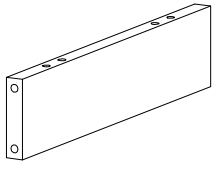
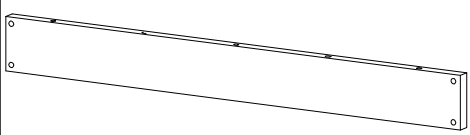
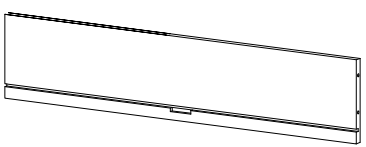
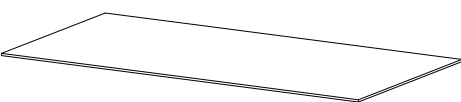
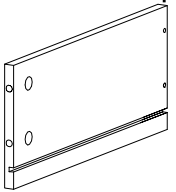
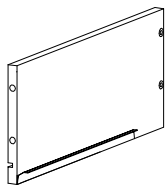
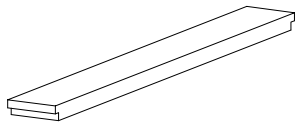
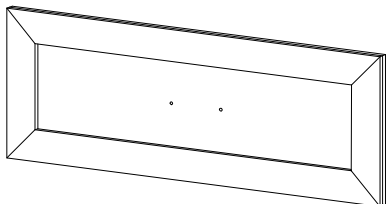
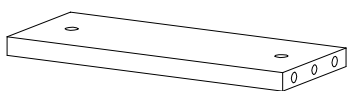
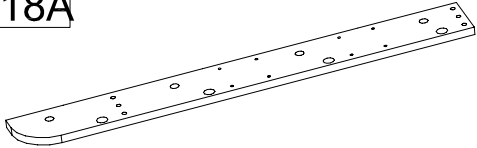
SKU CODE: (N725P178675)



# ASSEMBLY INSTRUCTION

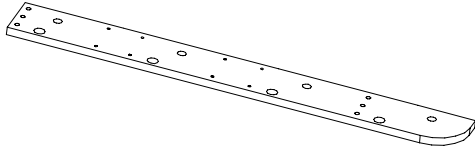


# Part List (N725P178675)

<p>1</p>  <p>The top of the cabinet-1pc</p>	<p>2</p>  <p>MOVING SHELVES-2pcs</p>	<p>3</p>  <p>FIXED SHELF-1pc</p>
<p>4</p>  <p>CABINET BOTTOM-1pc</p>	<p>5A</p>  <p>SIDE EDGE OF CABINET-1pc</p>	<p>5B</p>  <p>SIDE EDGE OF CABINET-1pc</p>
<p>6</p>  <p>337.5mm</p> <p>Cabinet Back-1pc</p>	<p>7</p>  <p>405mm</p> <p>Cabinet Back-1pc</p>	<p>8</p>  <p>245mm</p> <p>Cabinet Back-1pc</p>
<p>9</p>  <p>263mm</p> <p>Cabinet Back-2pcs</p>	<p>10A</p>  <p>Short bar - 1pc</p>	<p>10B</p>  <p>Short bar - 1pc</p>
<p>11</p>  <p>Short bar - 1pc</p>	<p>12</p>  <p>DRAWER-Back Panels-2pcs</p>	<p>13</p>  <p>Panel- 2pcs</p>
<p>14A</p>  <p>DRAWER-SIDE Panels-2pcs</p>	<p>14B</p>  <p>DRAWER-SIDE Panes-2pcs</p>	<p>15</p>  <p>Drawers-Support Bottom-2pcs</p>
<p>16</p>  <p>DRAWER-FRONT Panels-2pcs</p>	<p>17</p>  <p>FIXED SHELF-4pcs</p>	<p>18A</p>  <p>STANDING BAR SHELF-1pc</p>

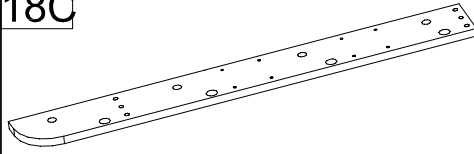
# Part List (N725P178675)

18B



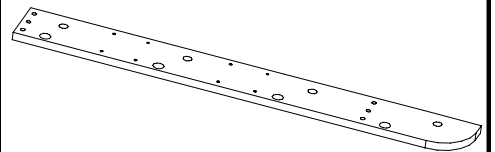
STANDING BAR SHELF-1pcs

18C



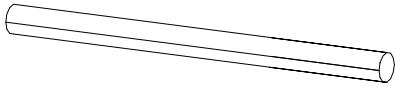
STANDING BAR SHELF-1pc

18D



STANDING BAR SHELF-1pc

19



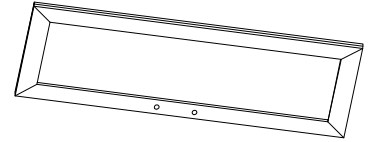
ROUND BAR SHELF - 8pcs

20



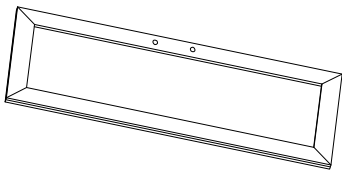
MOVING SHELVES-4pcs

21A



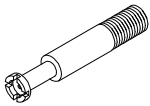

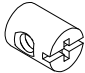



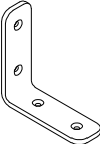
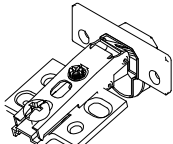
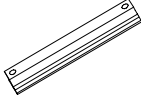
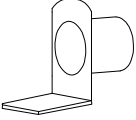
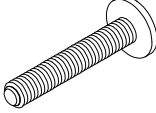
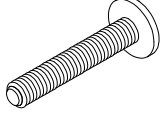


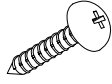
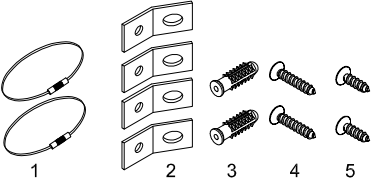
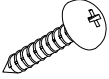
CABINET WINGS-1pc

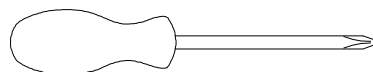
21B



CABINET WINGS-1pc

# Hardware List (N725P178675)

<p><b>A</b></p>  <p>Link 1 - 47 pcs</p>	<p><b>B</b></p>  <p>Link 2- 15mm - 19 pcs</p>	<p><b>C</b></p>  <p>1/4" x 10mm Horizontal -Hole bolts 8pcs</p>
<p><b>D</b></p>  <p>1/4" x 50mm Hex-Head bolts 8pcs</p>	<p><b>E</b></p>  <p>Ø8 x 30 mm Wood dowel 34pcs</p>	<p><b>F</b></p>  <p>#4 x 15 mm Wood Screws 44pcs</p>
<p><b>G</b></p>  <p>steel bracket 2pcs</p>	<p><b>H</b></p>  <p>Hinge - 6pcs</p>	<p><b>R</b></p>  <p>Handle Steel 4pcs</p>
<p><b>J</b></p>  <p>Support Pin 24pcs</p>	<p><b>K</b></p>  <p>M4 x 14mm Hex-Head bolts 4pcs</p>	<p><b>L</b></p>  <p>M4 x 22mm Hex-Head bolts 4pcs</p>
<p><b>M</b></p>  <p>#4 x 30 mm Wood Screws 8pcs</p>	<p><b>N</b></p>  <p>Link 2 -10mm - 28 pcs</p>	<p><b>O</b></p>  <p>M4 x 25 mm Wood Screws 27pcs</p>
<p><b>P</b></p>  <p>Wall brackets 1set</p>	<p><b>Q</b></p>  <p>M4 x 15 mm Wood Screws 16pcs</p>	

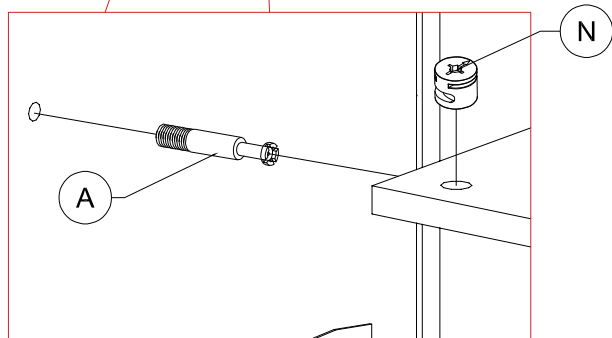
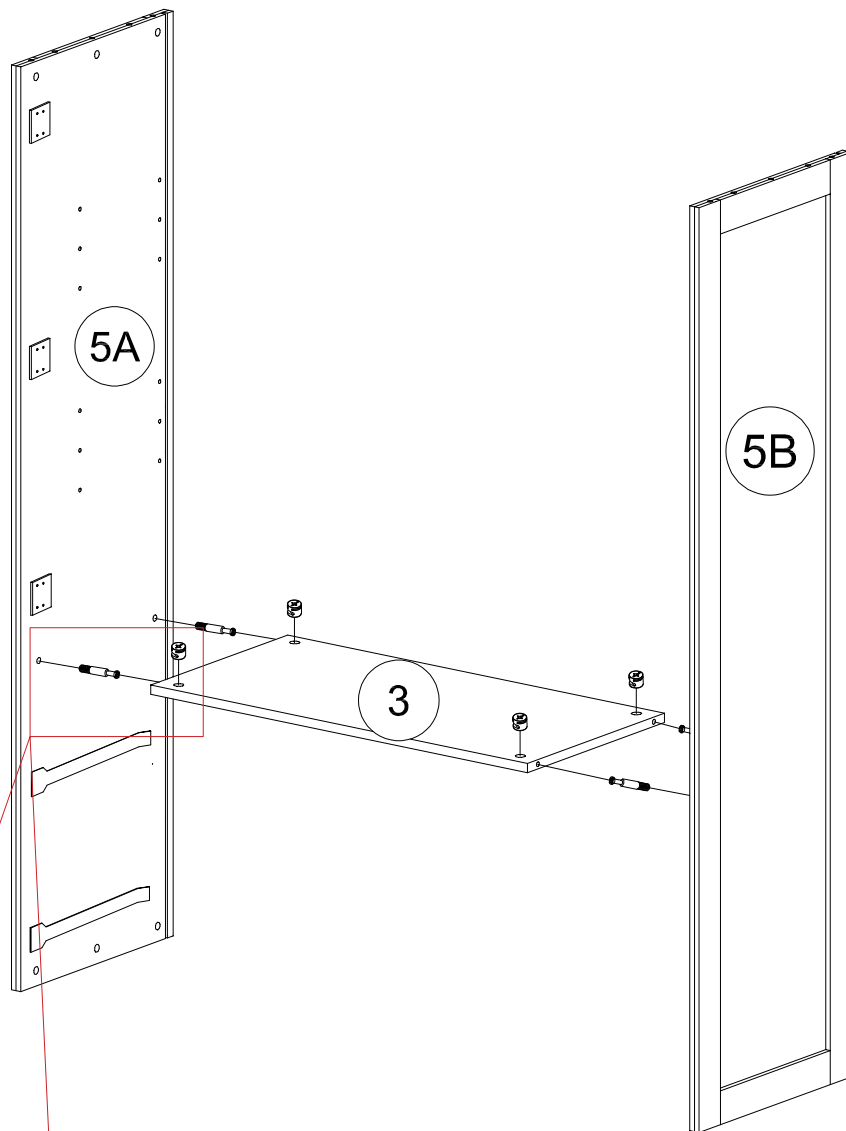


**Assembly Tools Required (Not Included)**

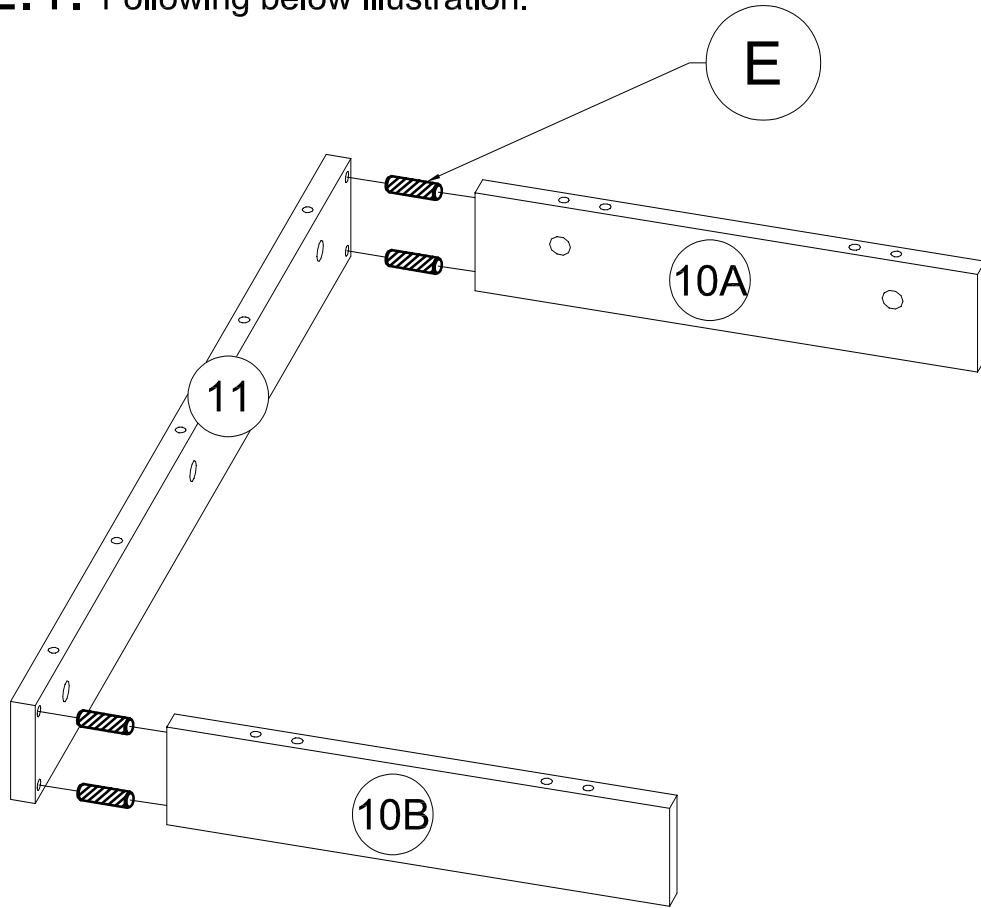
**5**


# STEP 1: Following below illustration:

A	N
4pcs	4pcs

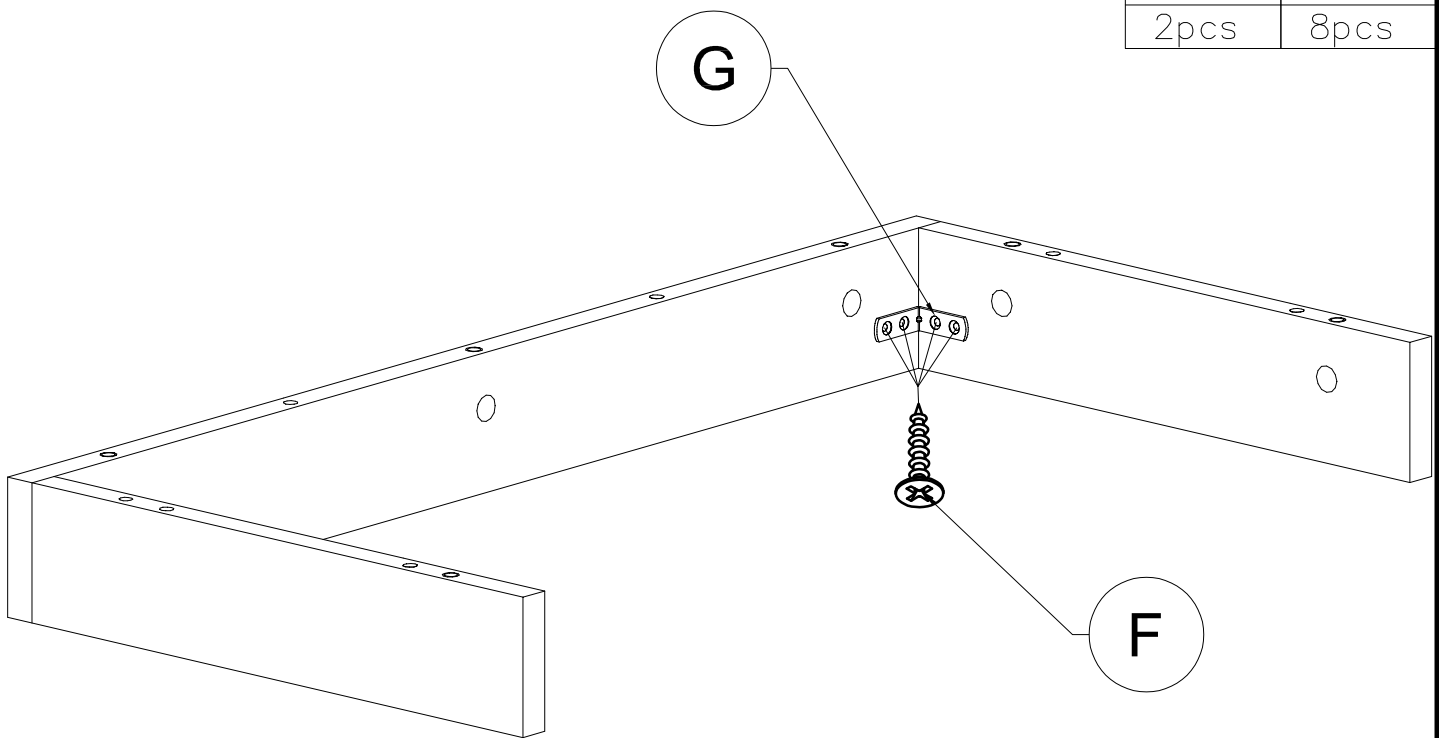


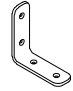

**STEP 2.1:** Following below illustration:



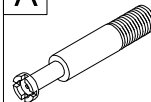
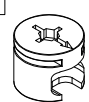

E

4pcs

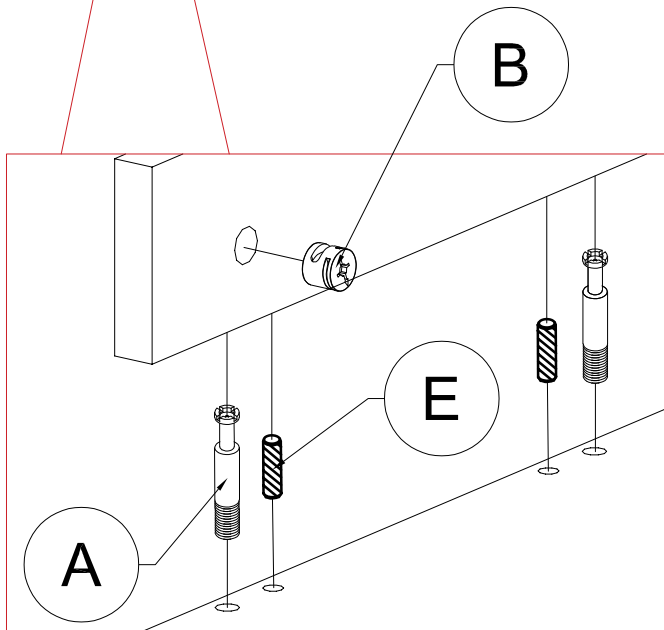
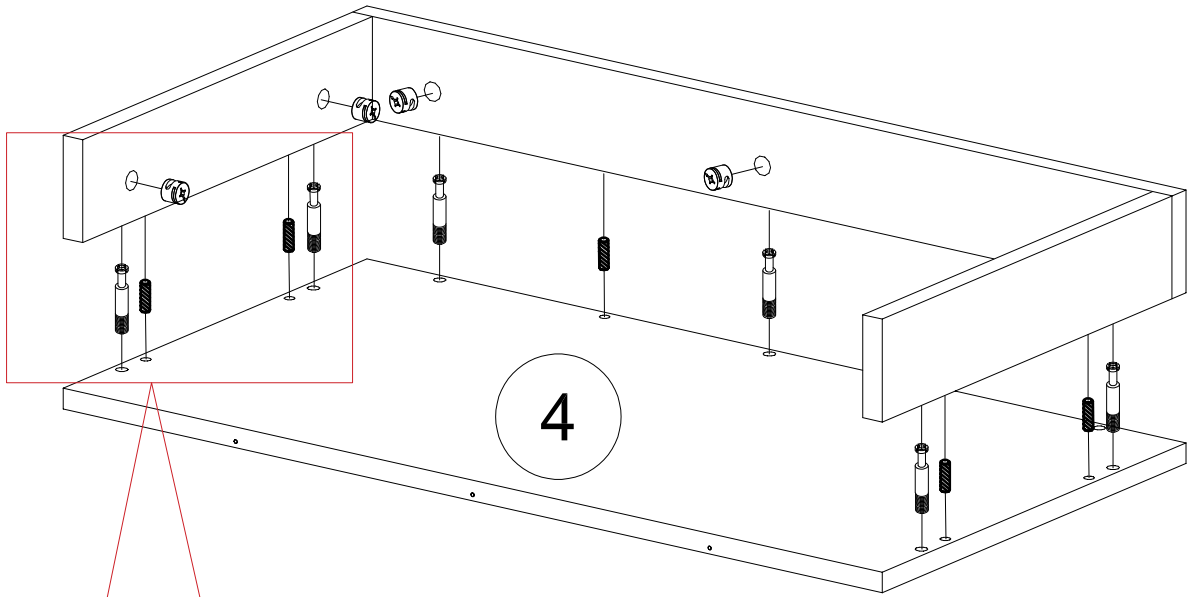
**STEP 2.2:** Following below illustration:



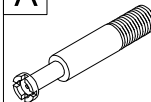

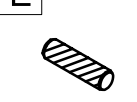
G	F
	
2pcs	8pcs

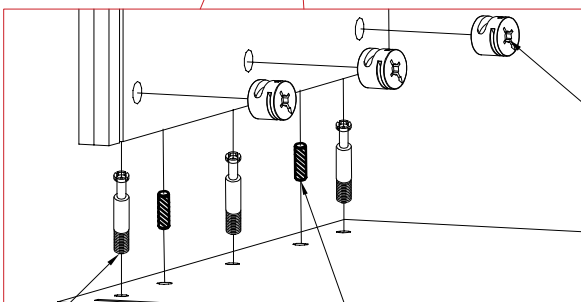
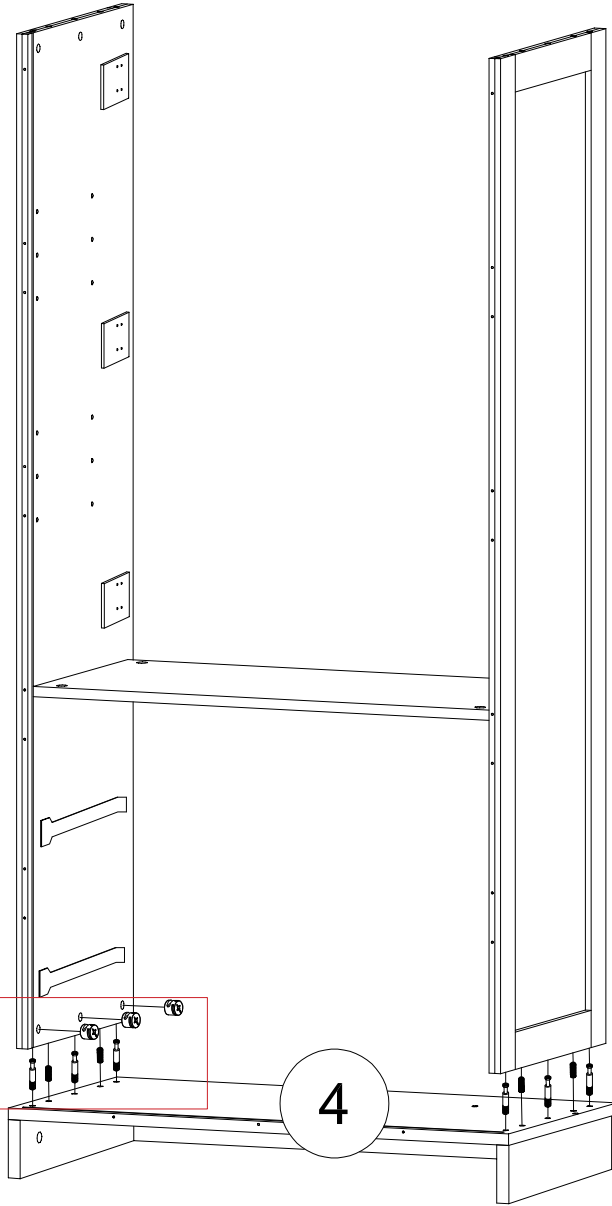
# STEP 3: Following below illustration:

<b>A</b> 	<b>B</b> 	<b>E</b> 
7pcs	7pcs	6pcs



# STEP 4: Following below illustration:

<b>A</b> 	<b>B</b> 	<b>E</b> 
6pcs	6pcs	4pcs



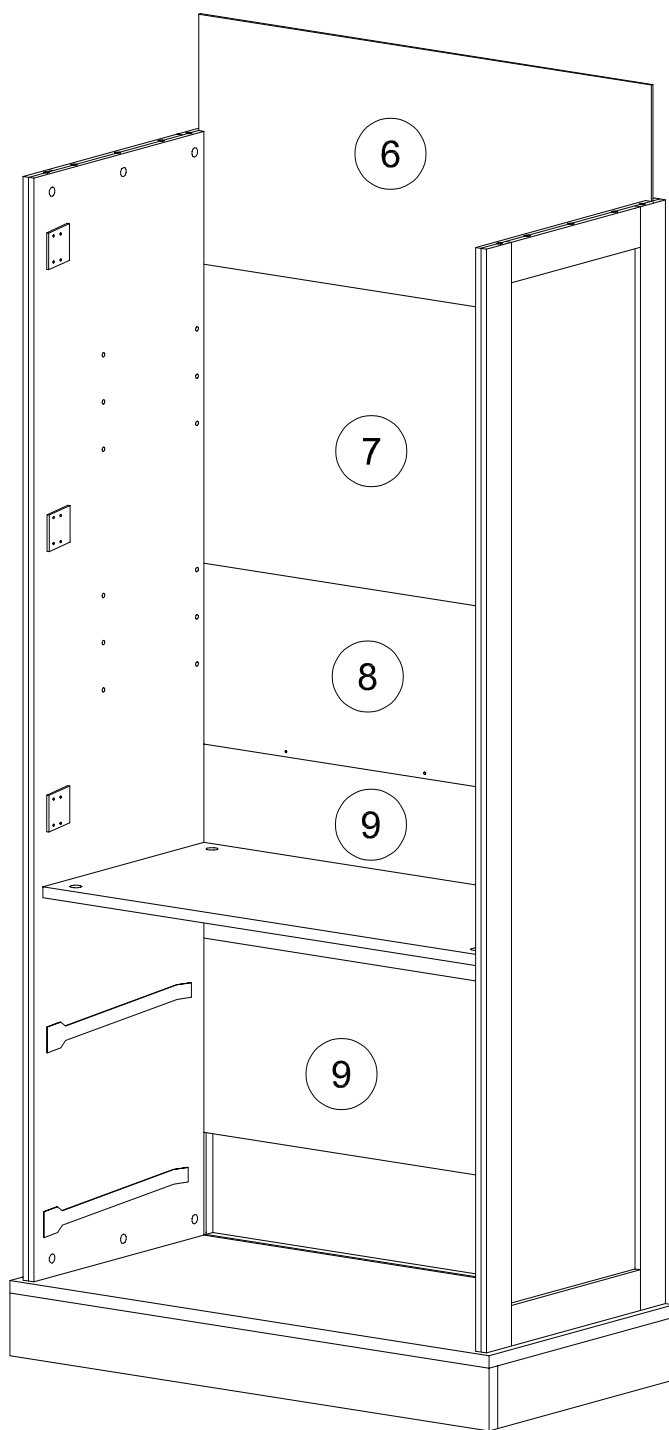
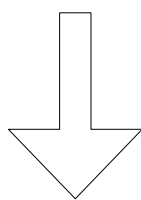
**B**

**B**

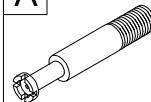


**B**

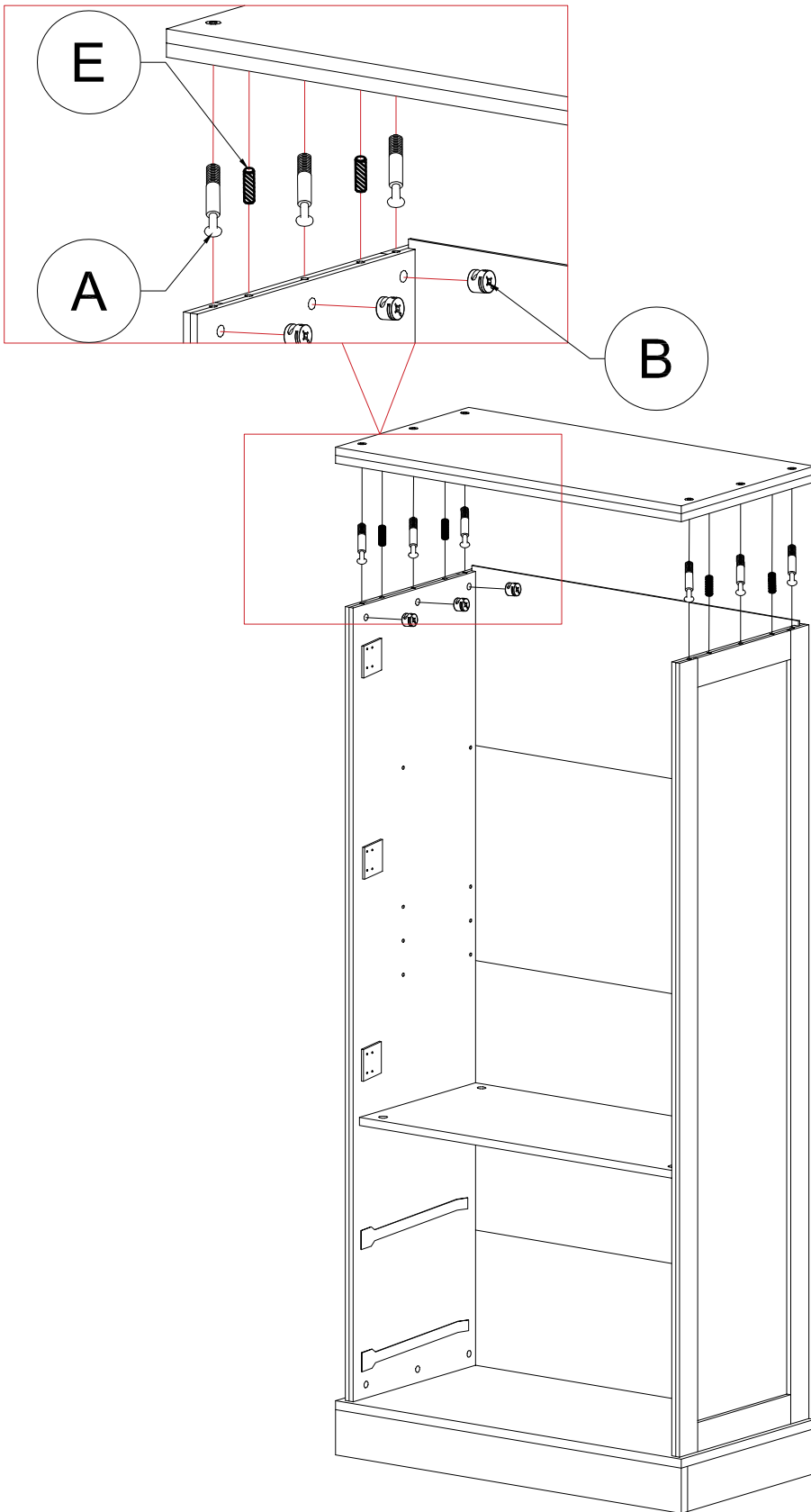
**9**

**STEP 5:** Following below illustration:

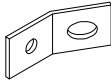

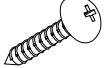


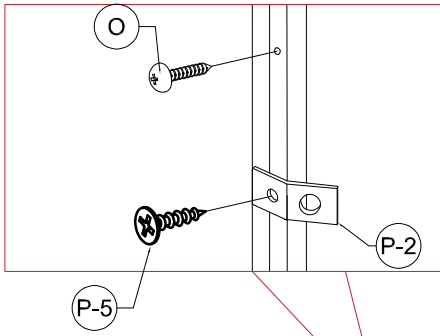
# STEP 6: Following below illustration:

<b>A</b> 	<b>B</b> 	<b>E</b> 
6pcs	6pcs	4pcs

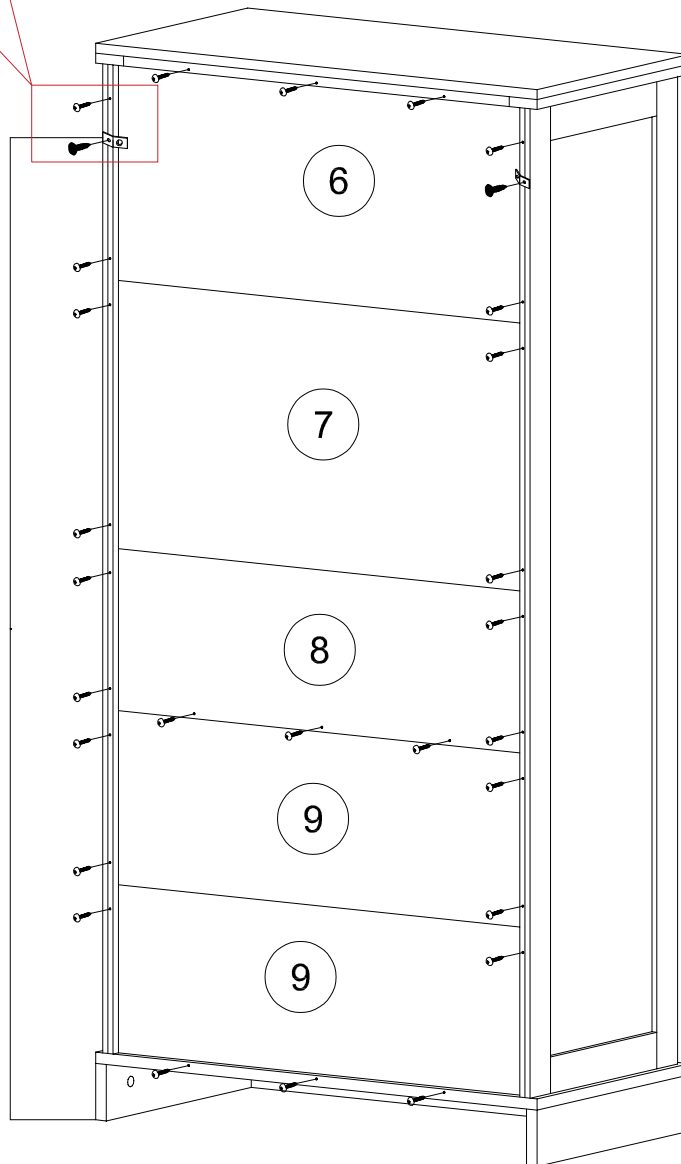


# STEP 7: Following below illustration:

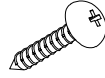

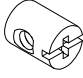

P-2	P-5	O
		
2pcs	2pcs	27pcs

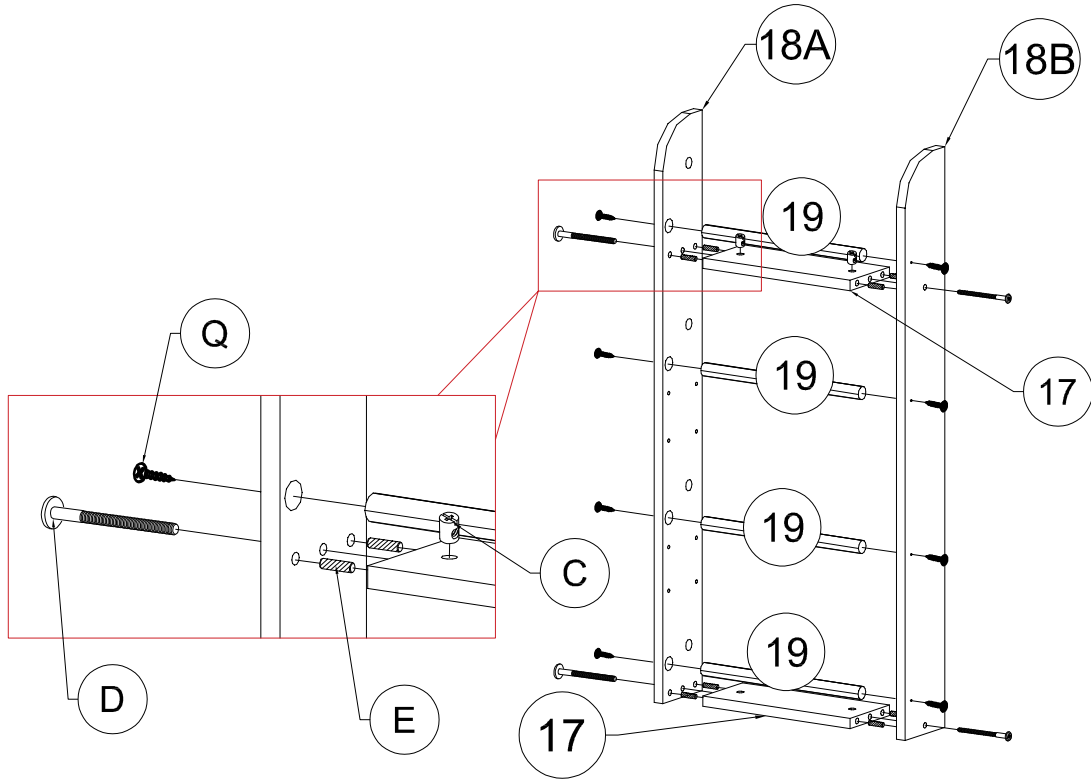


1500MM

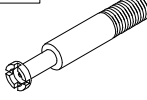



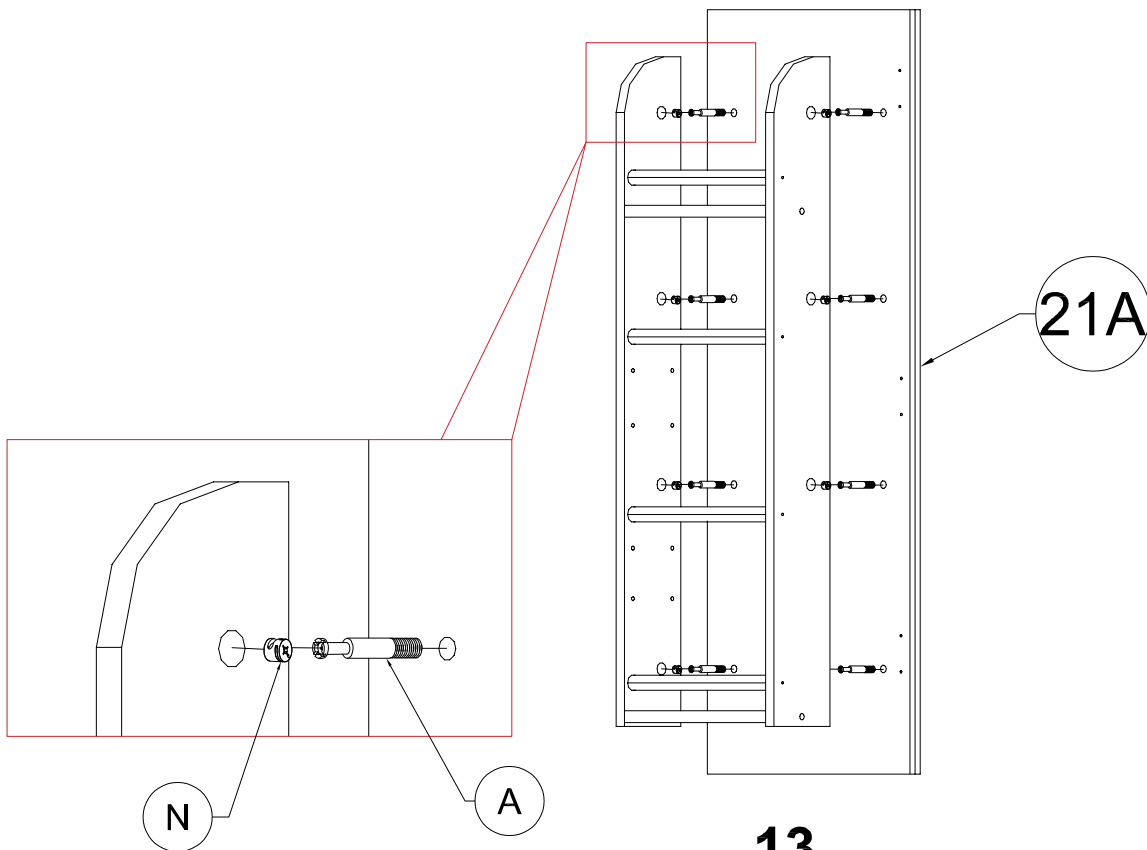
# STEP 8.1: Following below illustration:

Q	D	C	E
			
16pcs	8pcs	8pcs	16pcs

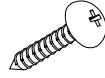

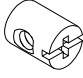



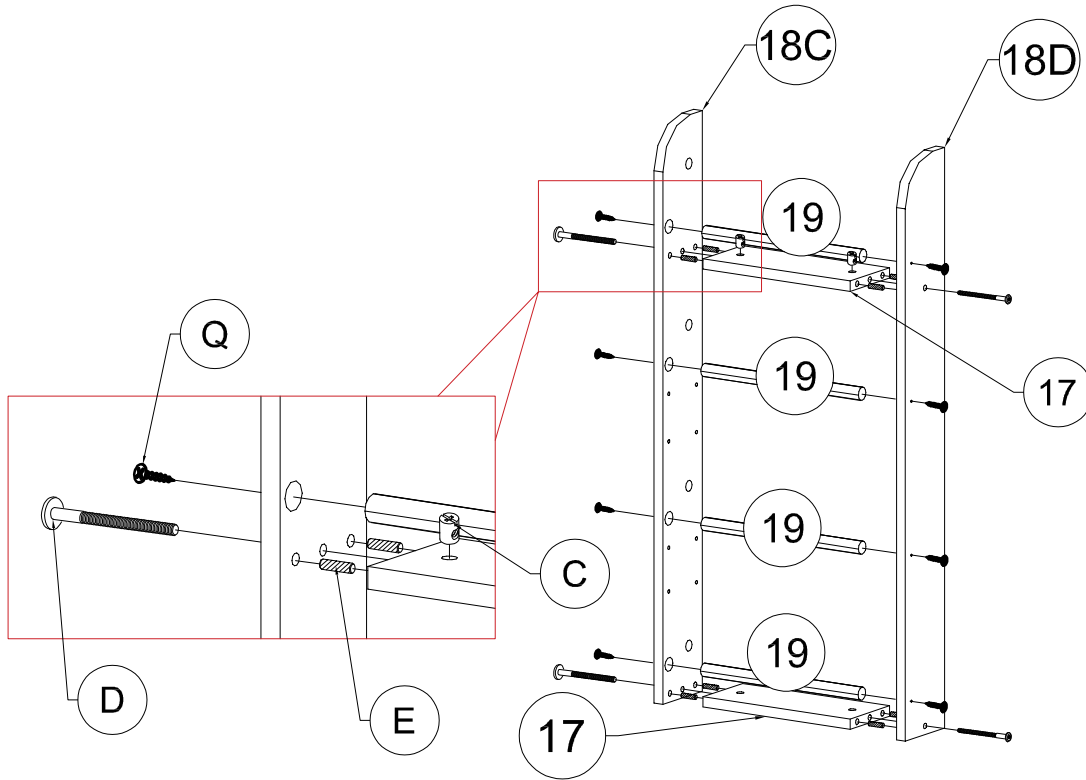
# STEP 8.2: Following below illustration:

A	N
	
16pcs	16pcs

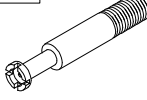



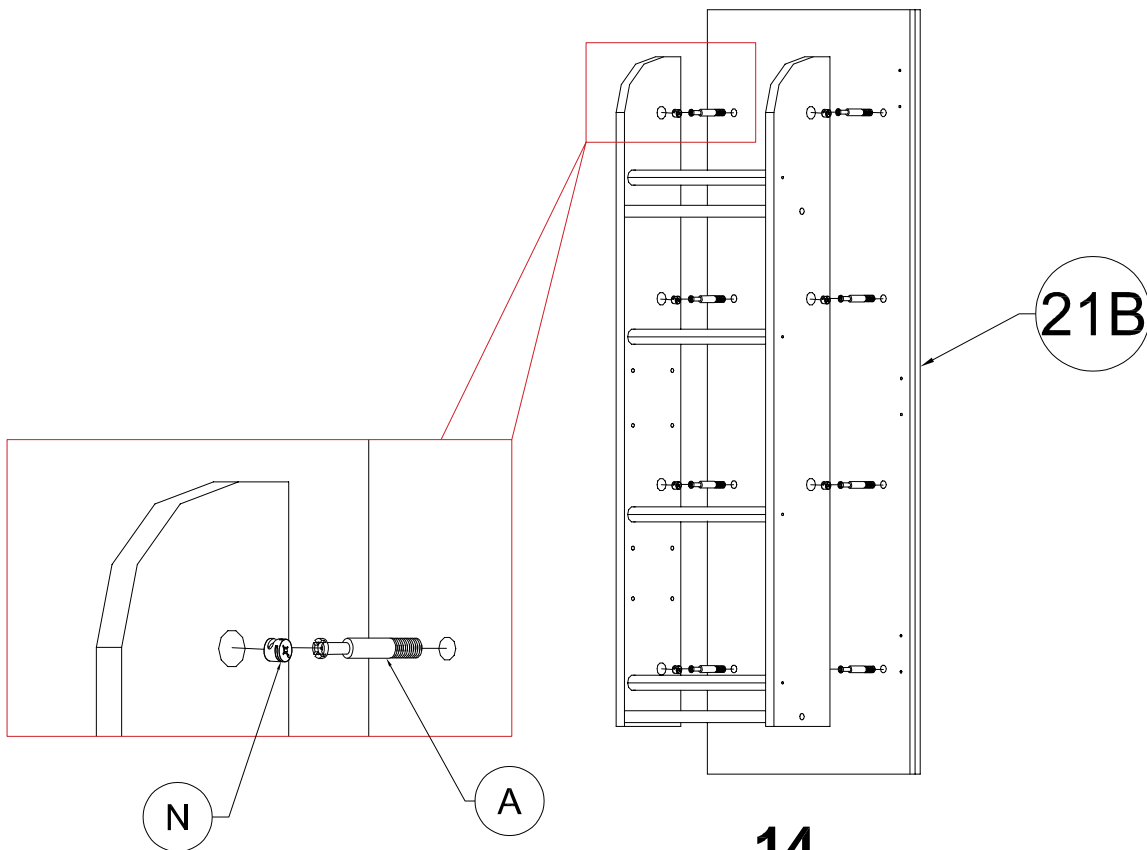
# STEP 9.2: Following below illustration:

Q	D	C	E
			
16pcs	8pcs	8pcs	16pcs

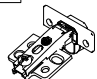



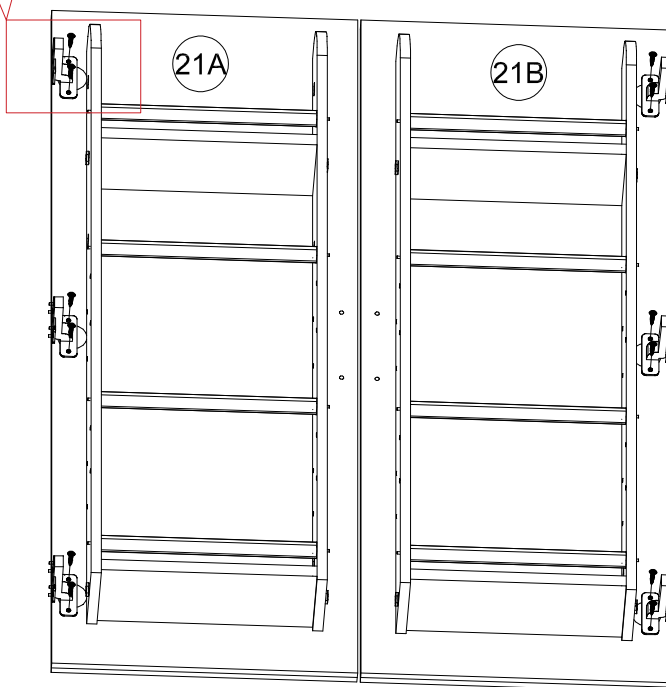
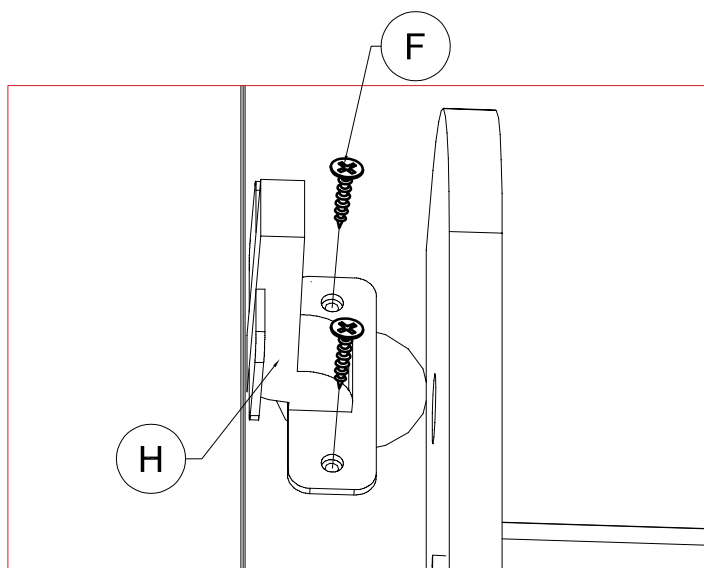
# STEP 9.2: Following below illustration:

A	N
	
16pcs	16pcs

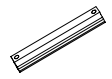
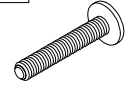



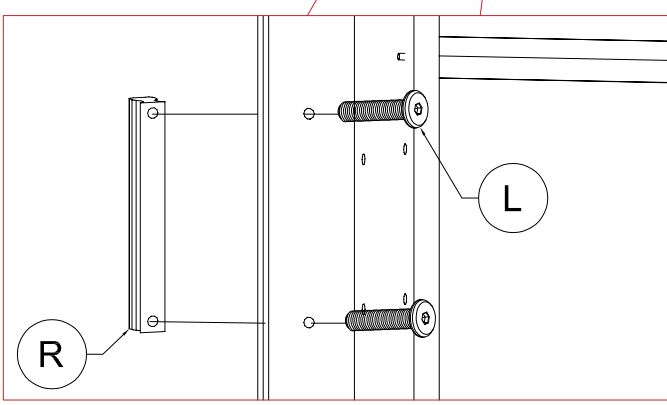
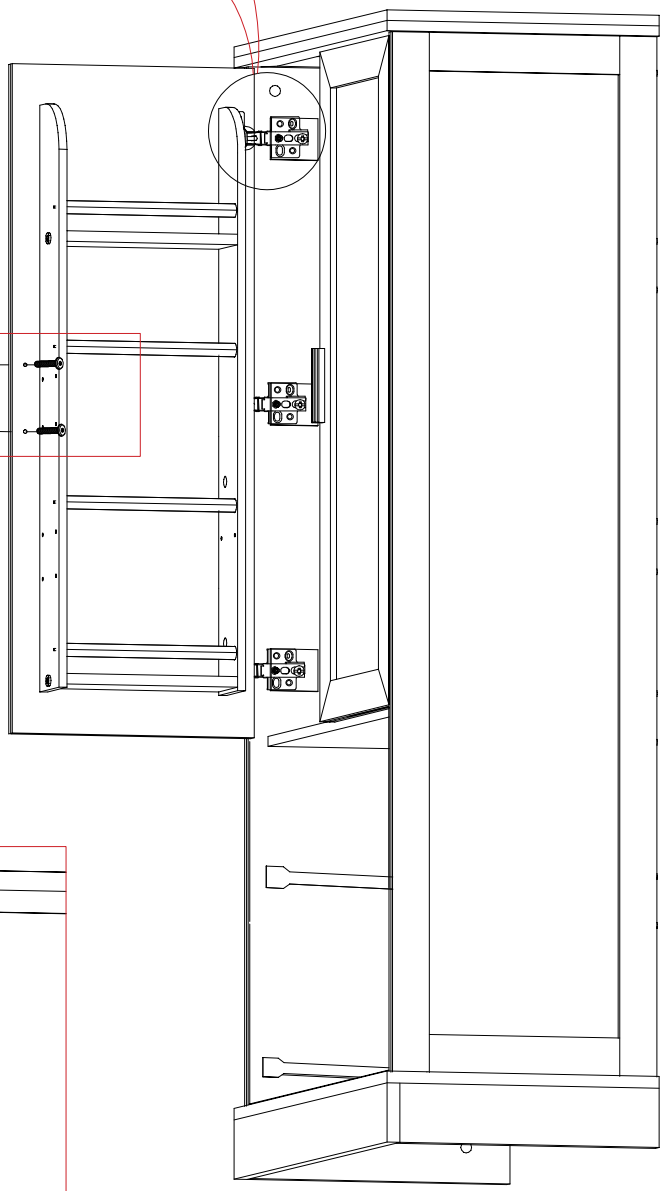
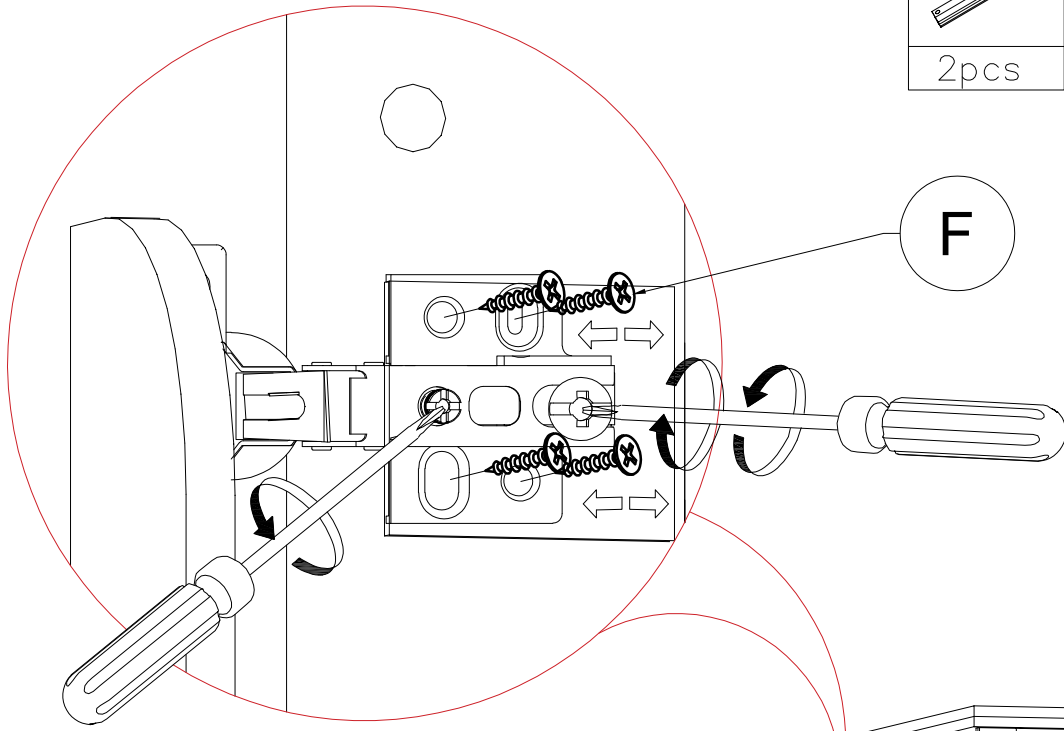
# STEP 10: Following below illustration:

H 	F 
6pcs	12pcs



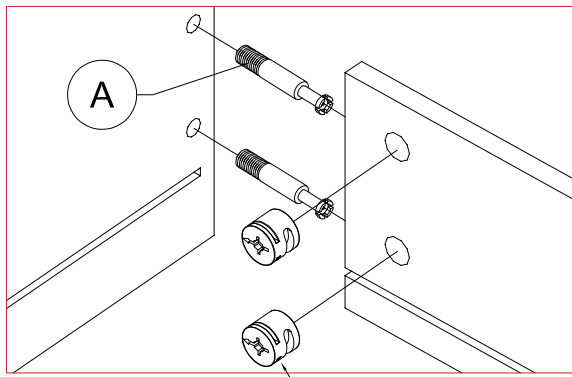
# STEP 11: Following below illustration:

R	L	F
		
2pcs	4pcs	24pcs



**STEP 12.1:** Following below illustration:

A	N
8pcs	8pcs



N

16

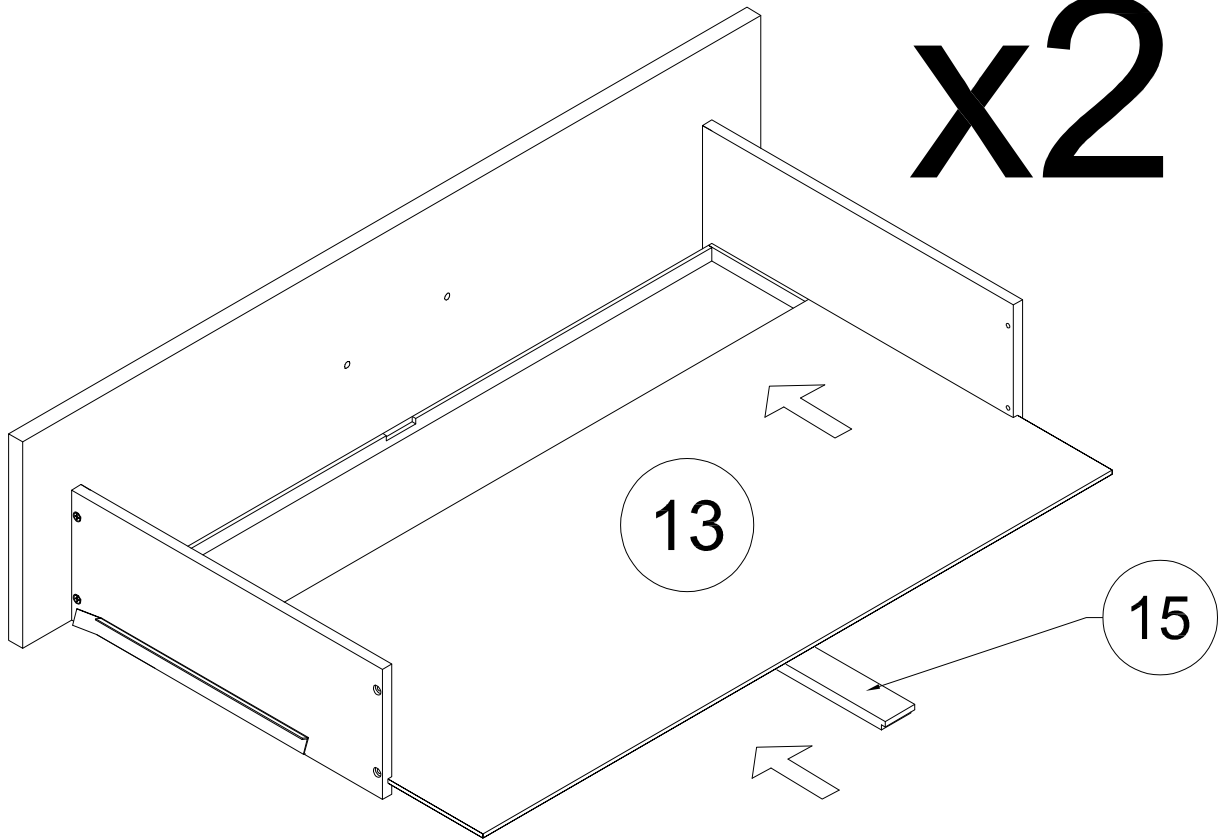
14B

14A

**x2**

**STEP 12.2:** Following below illustration:

**x2**

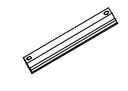
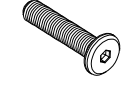



13

15

17

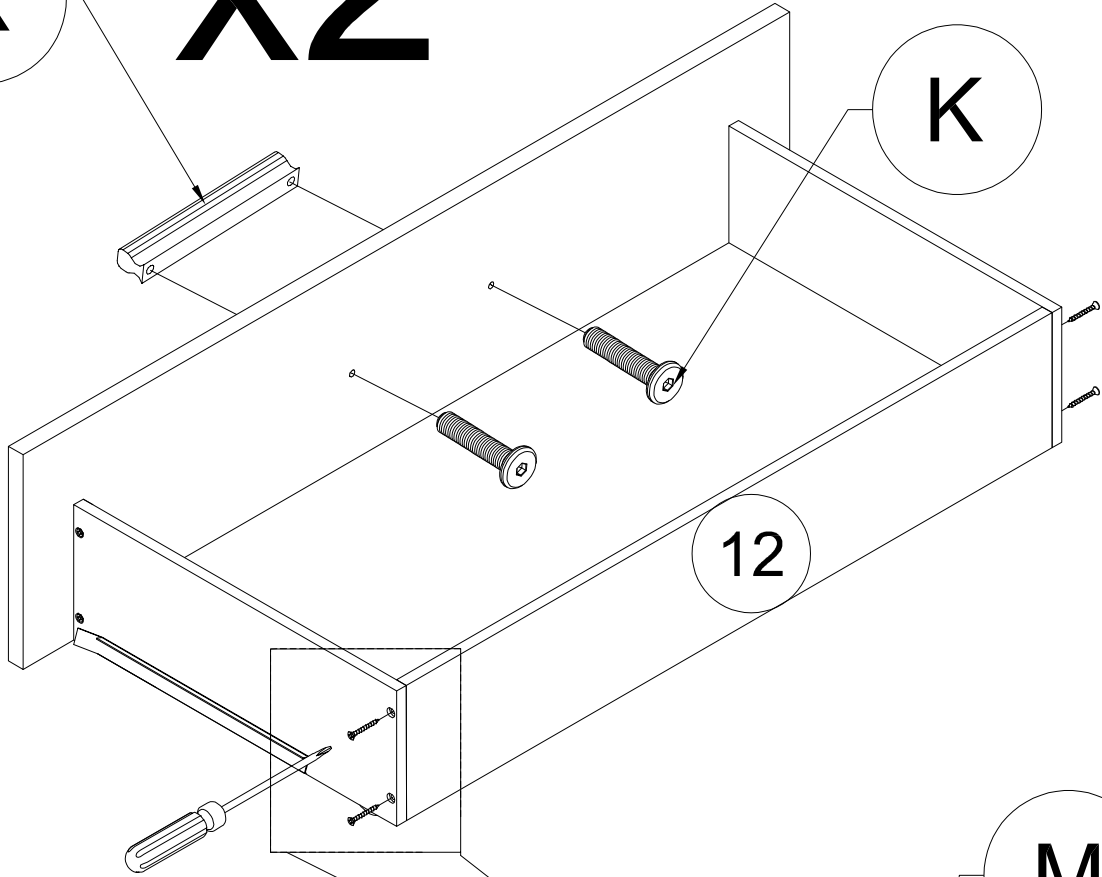
STEP 13: Following below illustration:

R	K	M
		
2pcs	4pcs	8pcs

R

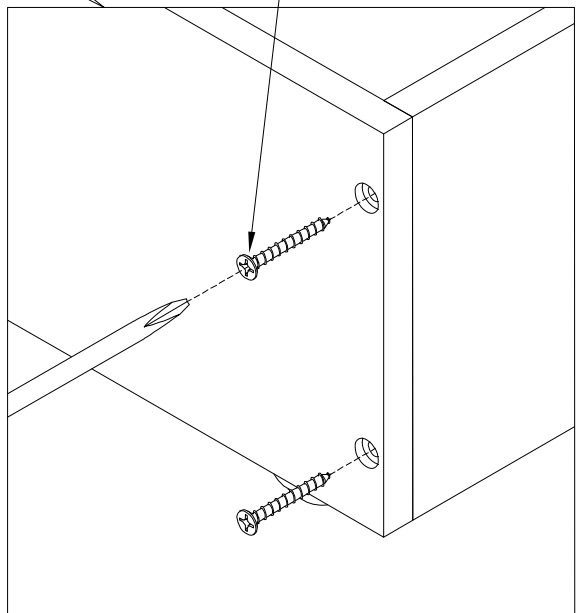
x2

K

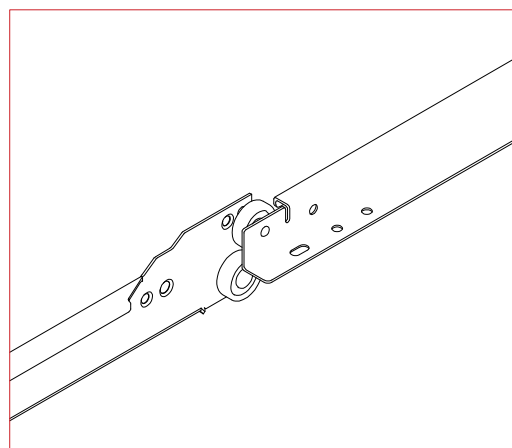
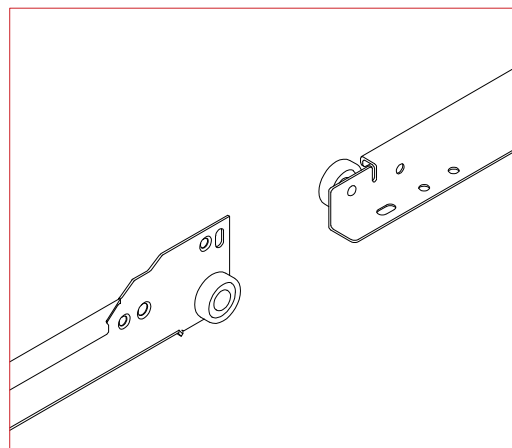
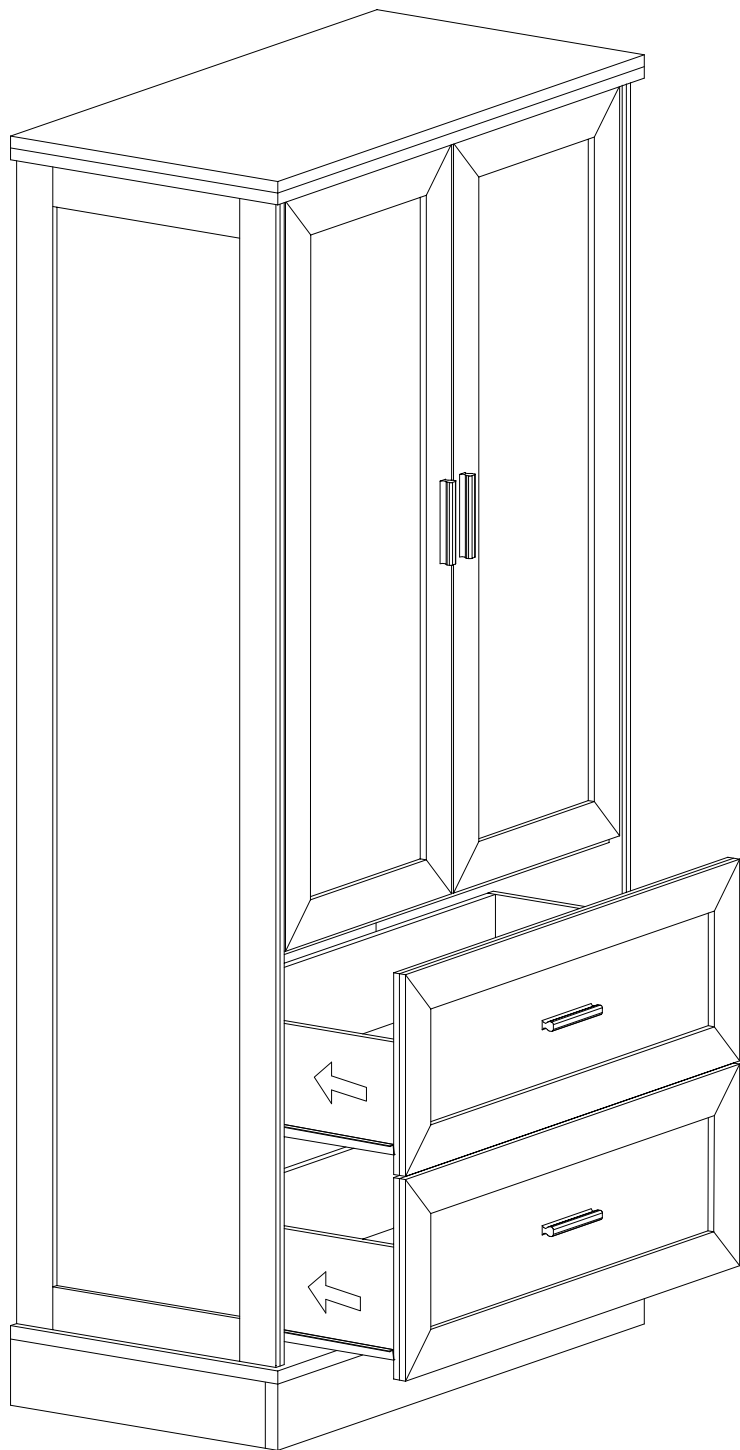


12

M



**STEP 14:** Following below illustration:

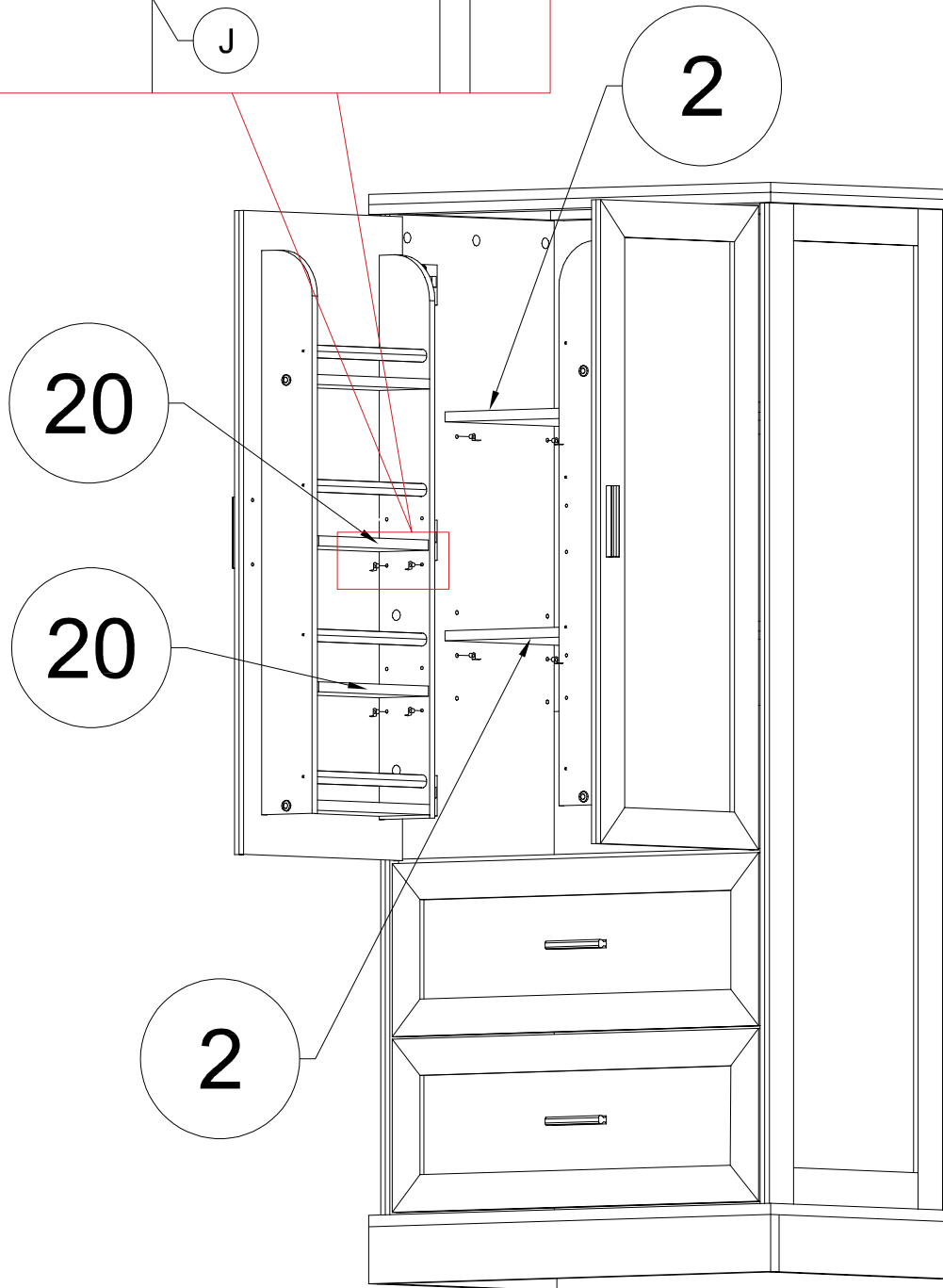
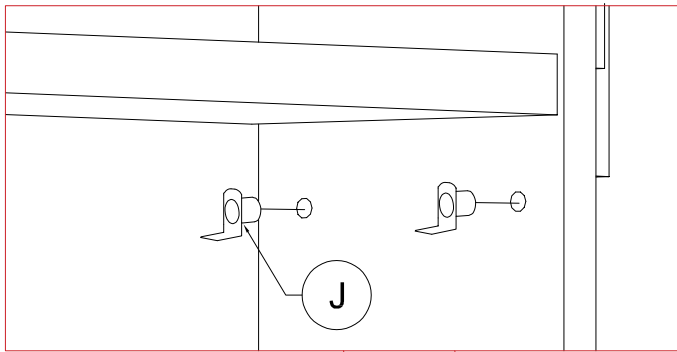


# STEP 15: Following below illustration:

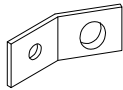

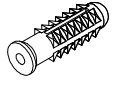
J

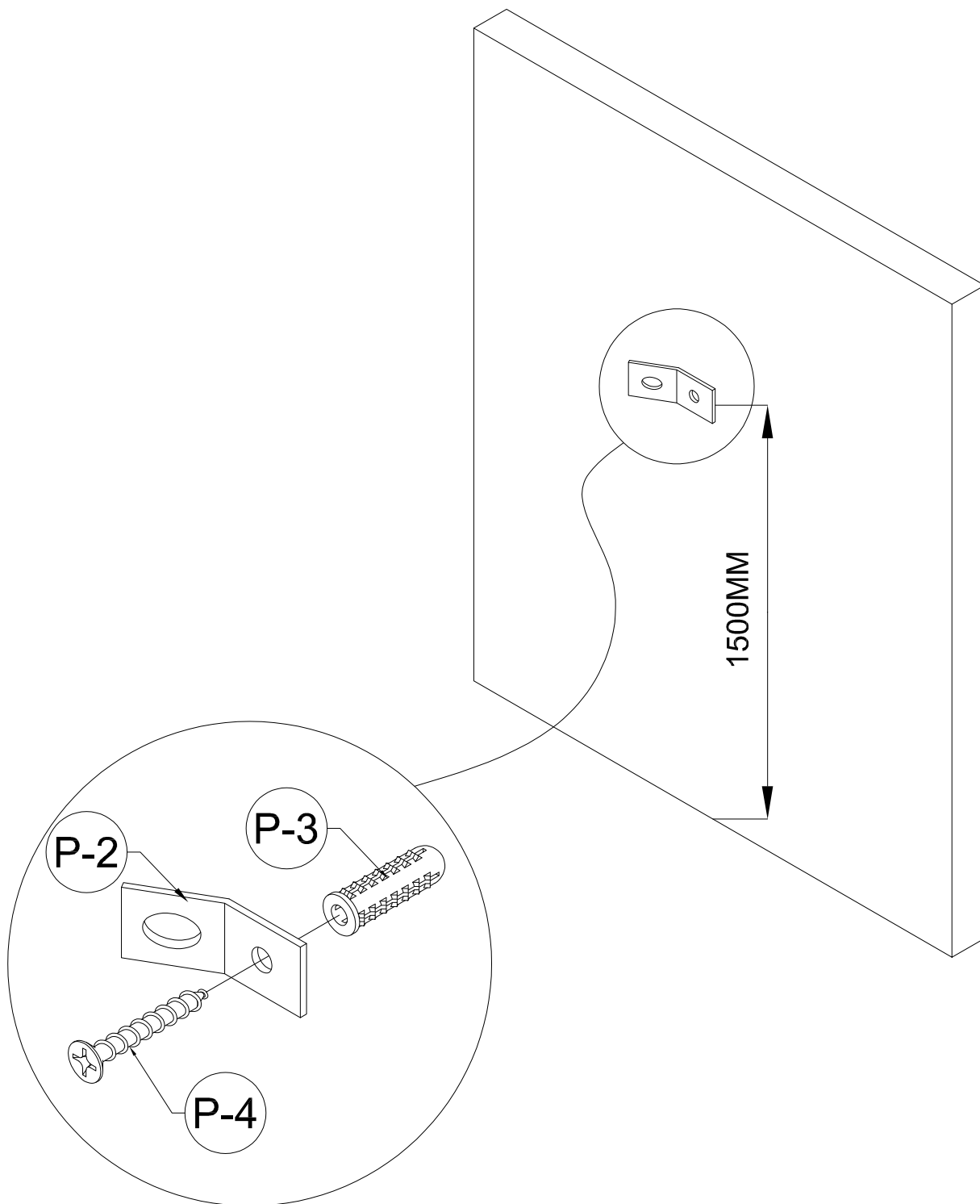


24pcs



# STEP 16: Following below illustration:

P-2	P-4	P-3
		
2pcs	2pcs	2pcs

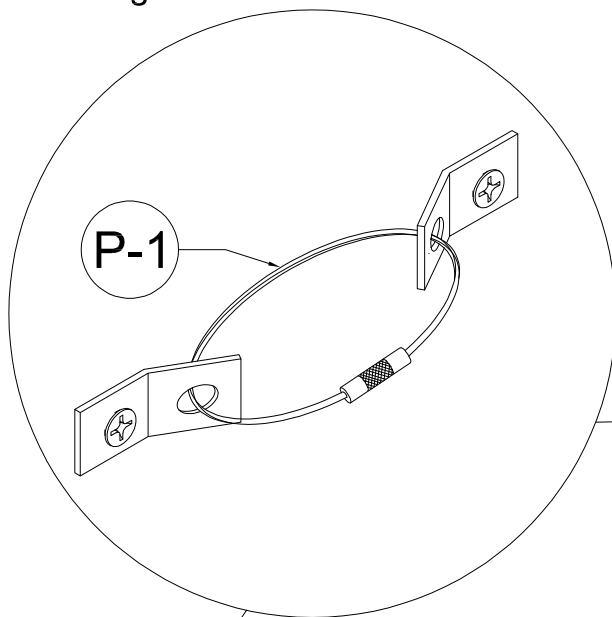


**STEP 17:** Following below illustration:

P-1



2pcs



# FINISH

