


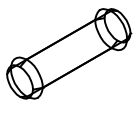
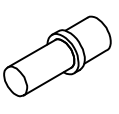
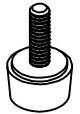

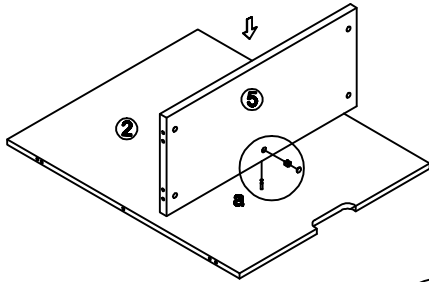



HUTCH / BOOKCASE

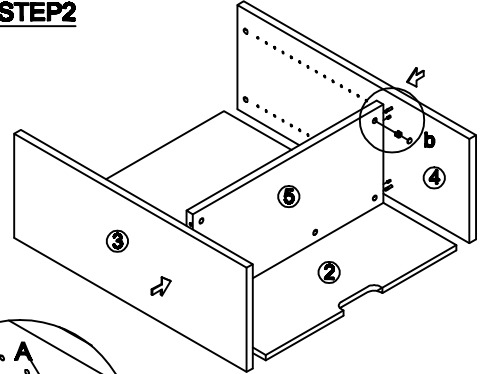
TUN010CL	TUN011KC		TUN026	TUN020SG	TUN030AG	
A  Cam lock 20Pcs+1Pc(spare)	B  Klix Cam 20Pcs+1Pc(spare)	C  Cam Cover 20Pcs+1Pc(spare)	D  Dowel 14Pcs+1Pc(spare)	E  Shelf dowel 4Pcs+1Pc(spare)	F  Adjustable Glide 4 Pcs	G  screw 6x30 4Pcs

STEP1

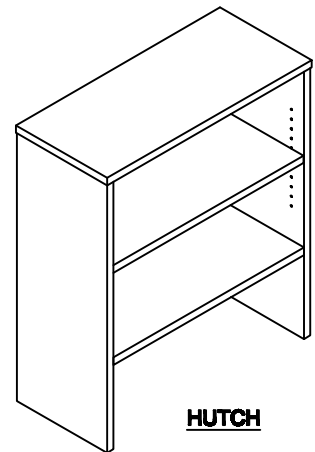
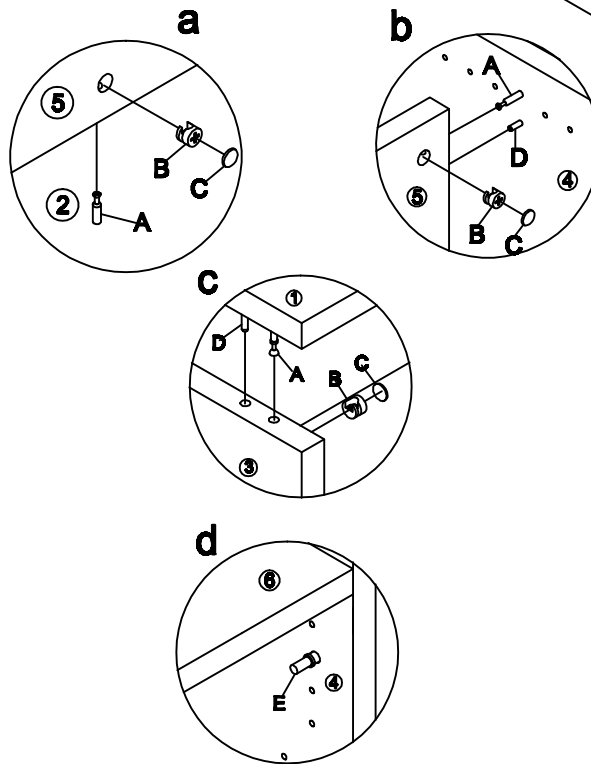
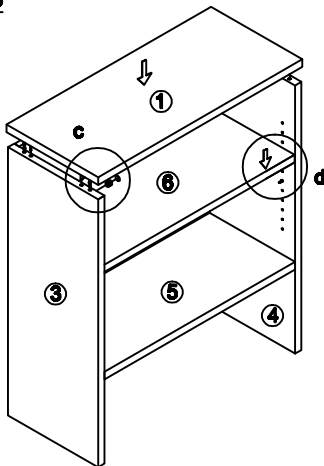


**IMPORTANT:
FUNCTION OF KLIX CAM**

 1/4 RIGHT
TURN FOR
LOCKING
 MAKE SURE THE ARROW IS
POINTING UPWARDS BEFORE
INSERTING INTO THE PANELS
HOLE

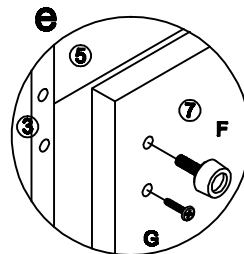
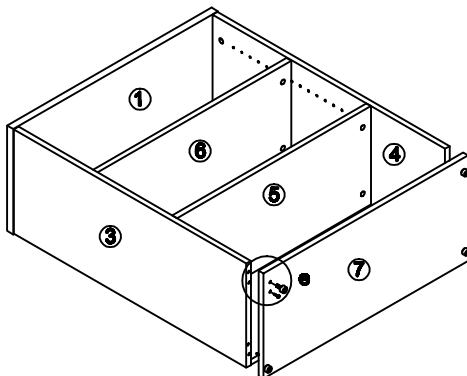
STEP2



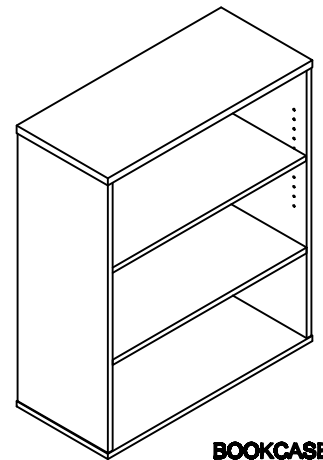
STEP3



STEP4 (BOOKCASE)



COMPLETED ASSEMBLY



IMPORTANT NOTE:

- Place all laminated parts on a clean and smooth surface such as a rug or carpet to avoid the parts from being scratched.
- Check to be sure that you have all parts and hardware.
- Remove all wrapping materials, including staples & packing straps before you start to assemble.
- Don't tighten all screws/bolts until all completely assembled.
- Keep all hardware parts out of reach of children