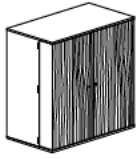












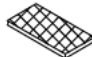
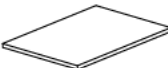



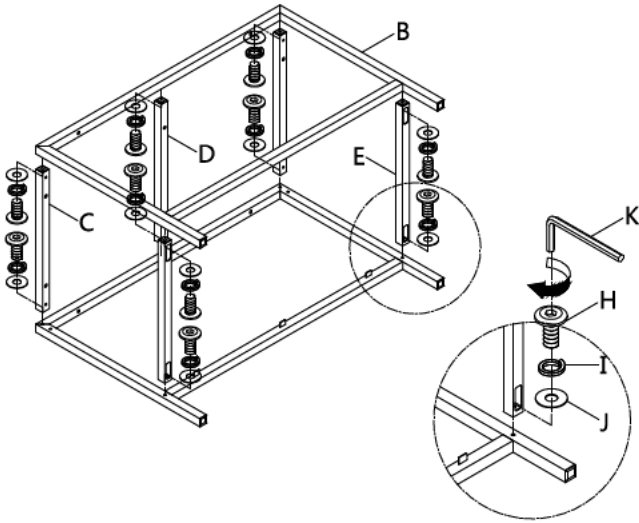
# Assembly Instructions

Thank you for purchasing this quality product. Be sure to check all packing material carefully for small parts that may have come loose inside the carton during shipment.(Note: Loosely thread all screws bolts first. Once the item is assembled then completely tighten.)

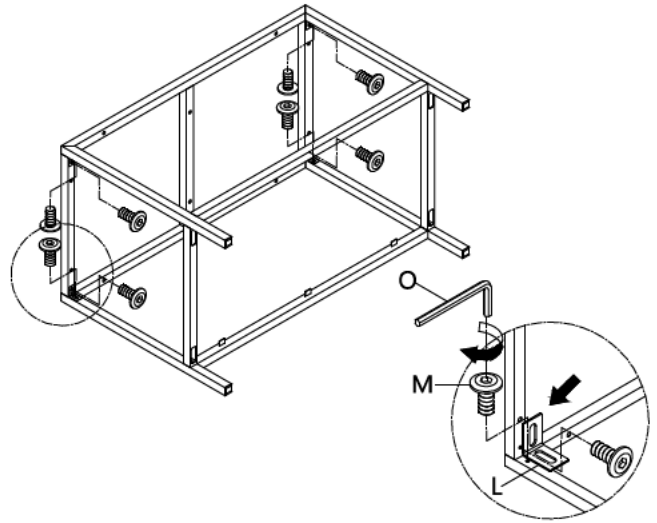
PARTS LIST:				HARDWARE LIST:			
NO.	DESCRIPTION	PART PHOTO	QTY	NO.	DESCRIPTION	PART PHOTO	QTY
A	CABINET		1	H	SCREW (M $\frac{8}{25}$ "*1")		10
				I	WASHER (Ø18-Ø8*1.5)		10
B	SIDE FRAME		2	J	SPRING SHIM (M $\frac{8}{25}$ "")		10
				K	ALLEN KEY (Ø $\frac{1}{5}$ "")		1
C	CONNECTING BAR (A)		2	L	ANGLE IRON (30*30*20)		4
				M	SCREW (M $\frac{6}{25}$ "* $\frac{12}{25}$ "")		8
D	CONNECTING BAR (B)		1	N	SCREW (M $\frac{6}{25}$ "* $\frac{2}{5}$ "")		10
				O	ALLEN KEY (Ø $\frac{4}{25}$ "")		1
E	CONNECTING BAR (C)		2	P	STICKERS FELT (16*13*1)		6
F	ADJUST SHELF		1				
G	GLASS SHELF		1				

# Assembly Instructions

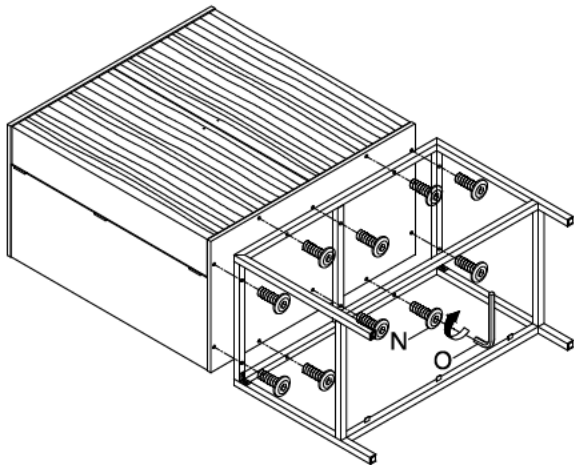
STEP 1



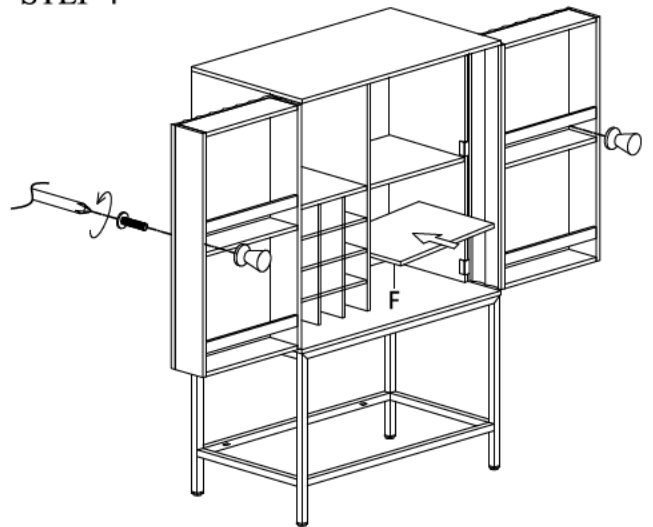
STEP 2



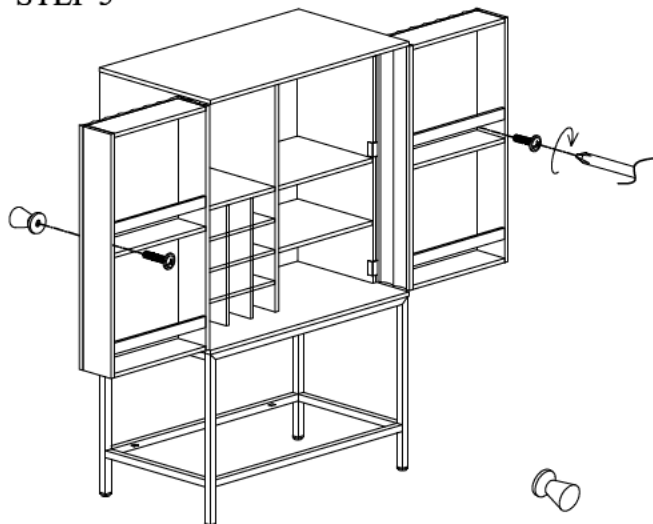
STEP 3



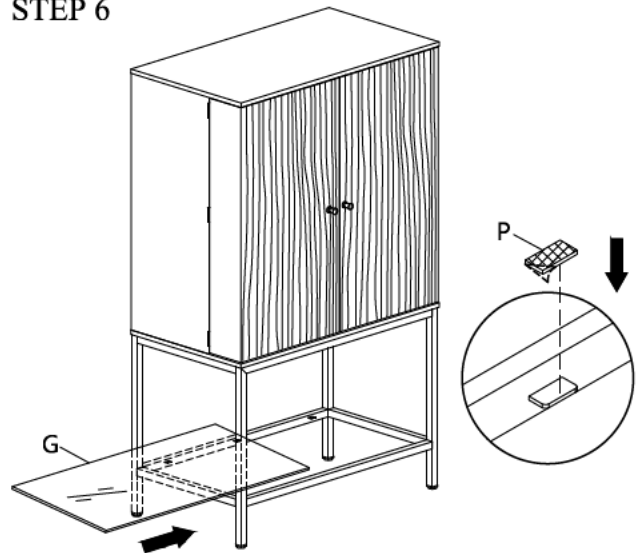
STEP 4



STEP 5

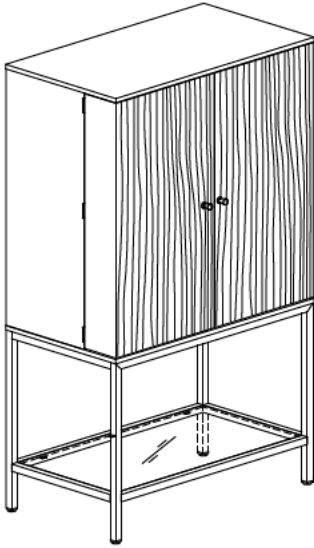


STEP 6



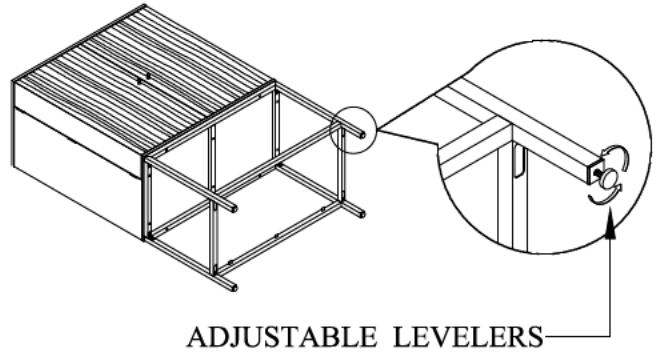
# Assembly Instructions

FINISH



Tips for aligning doors:

Tip A: Sometimes the doors will not line up because of an uneven floor surface the furniture rests on. In that case, try adjusting the levelers found on the bottom of each foot to aid in correcting.



ADJUSTABLE LEVELERS