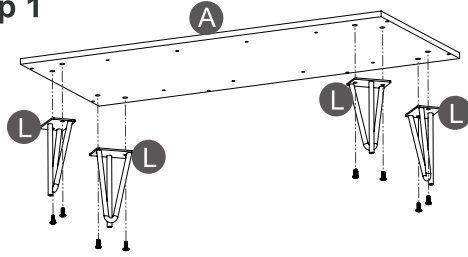




Please pay attention to hole direction of each board.

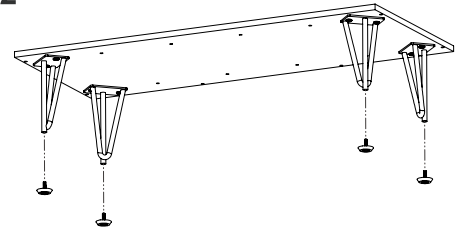
# PART LIST

Step 1



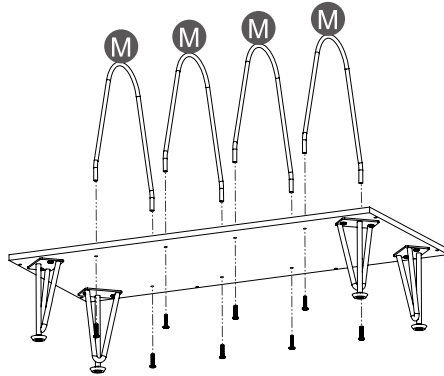
Qx8

Step 2



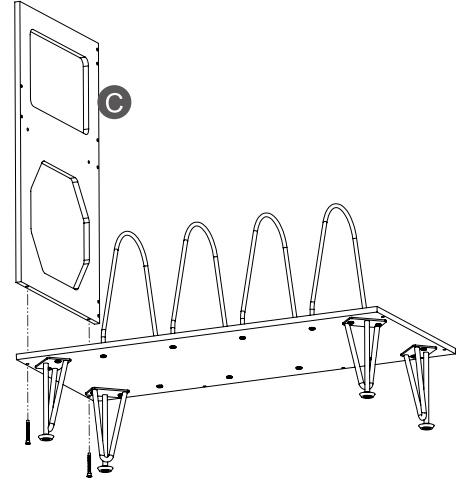
Px4

Step 3



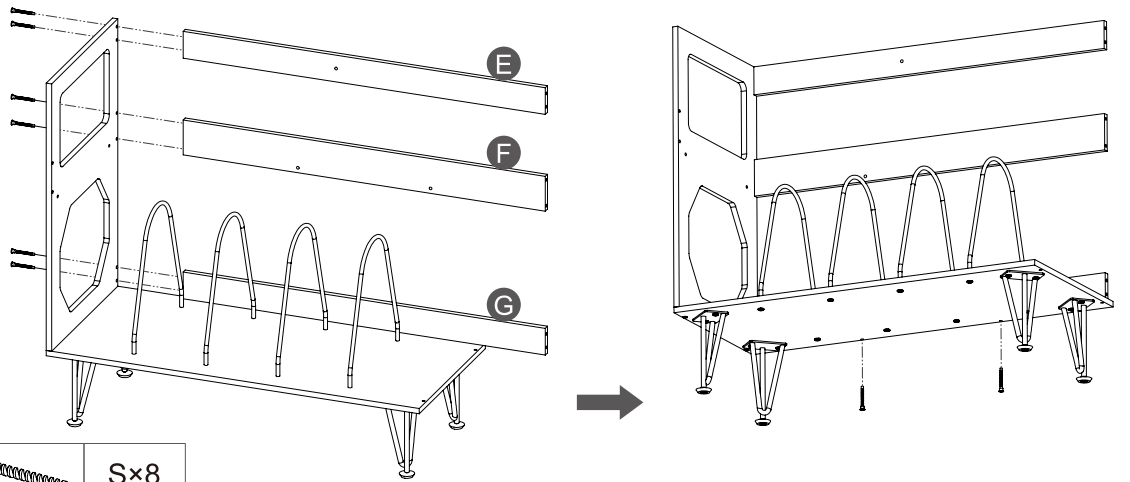
Rx8

Step 4



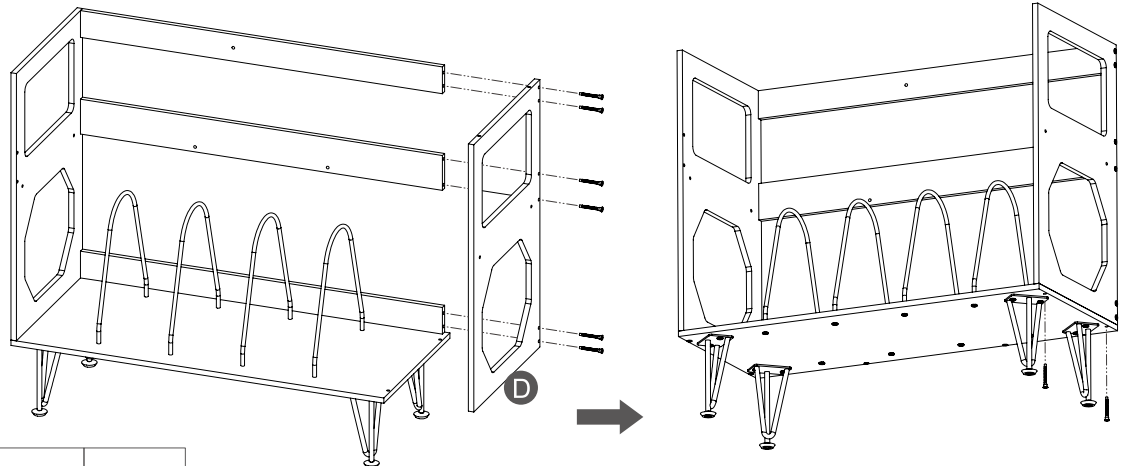
Sx2

Step 5

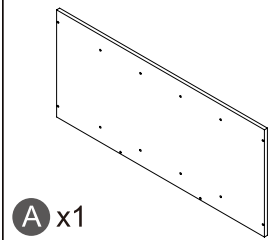


Sx8

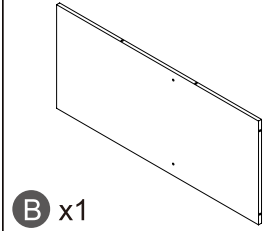
Step 6



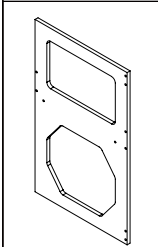
Sx8



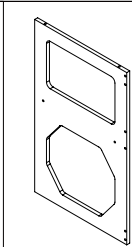
A x1



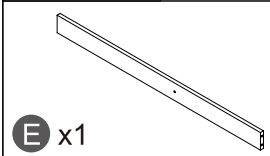
B x1



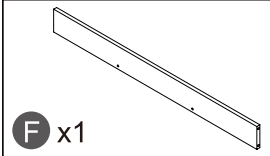
C x1



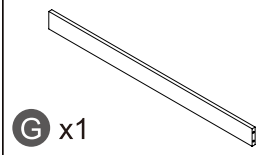
D x1



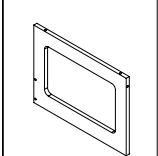
E x1



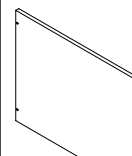
F x1



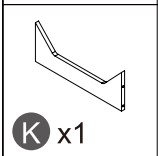
G x1



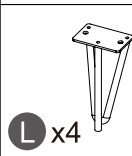
H x1



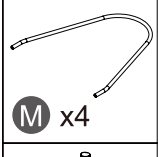
J x1



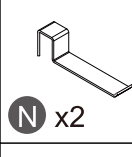
K x1



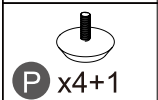
L x4



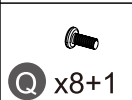
M x4



N x2



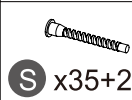
P x4+1



Q x8+1



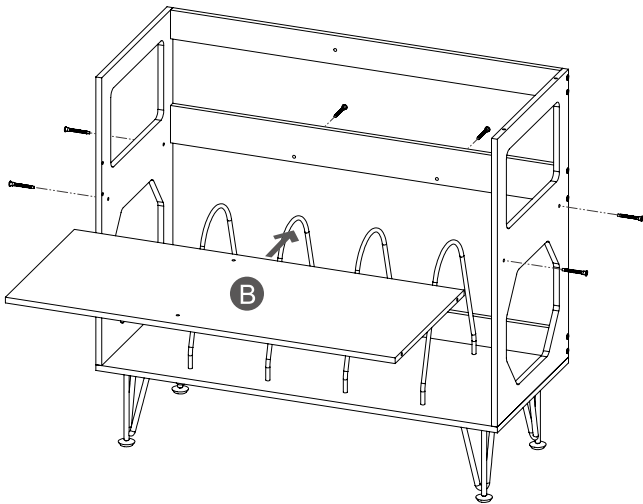
R x8+1



S x35+2

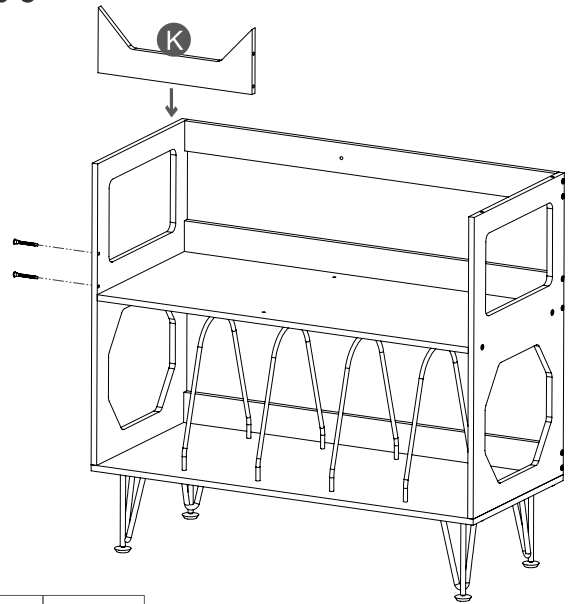
 Please pay attention to hole direction of each board.


Step 7



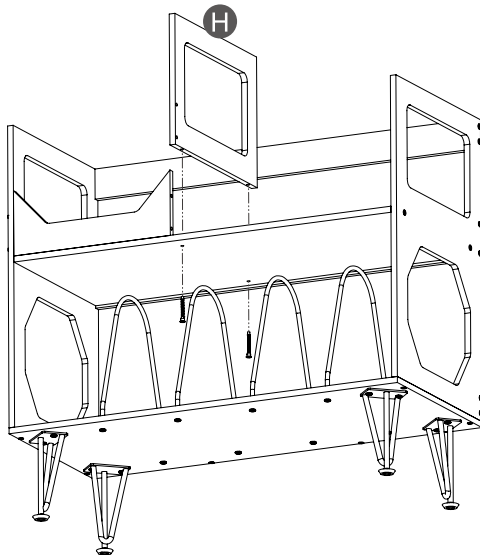
 S×6

Step 8

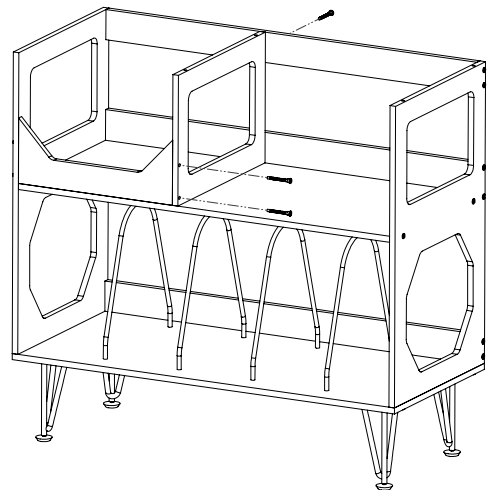


 S×2

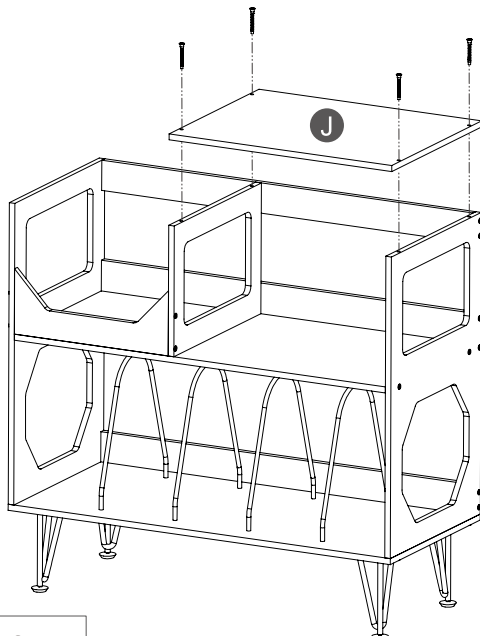
Step 9

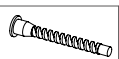


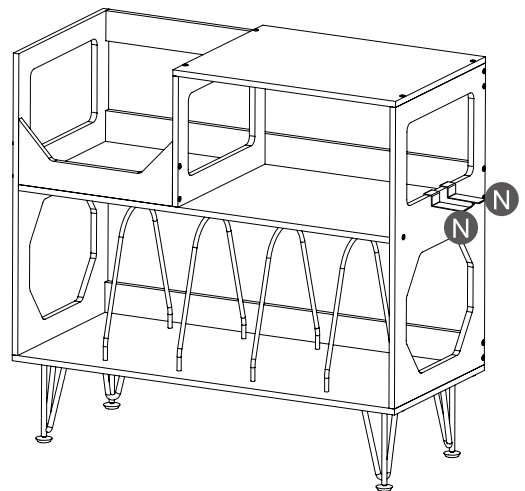
 S×5



Step 10



 S×4



COMPLETION