

CARE AND MAINTENANCE

Dust with a dry cloth. Do not use abrasive cleaner. Use glass cleaner to clean surface of tabletop.



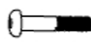



NOTICE

* Please make sure that you have all parts indicated before you begin assembly of this item

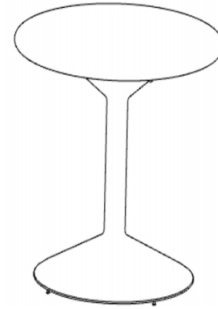
* This item should be assembled on a soft surface to prevent scratching the finish during assembly

* This item may require periodic tightening

Part List and Hardware List

PIECE	DESCRIPTION	PICTURE	QUANTITY
A	Table Top		1X
B	Leg Frame		1X
H1	Screw (M6*16mm)		4X
H2	Flat Washer		4X
H3	Spring Washer		4X
H4	Allen Key		1X

Product Dimensions: 25.6"D x 29"H



Weight Capacity : 25 lbs

Warning : Do not stand on table

Warning : Do not over torque bolts


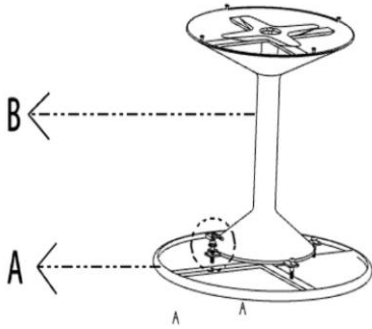
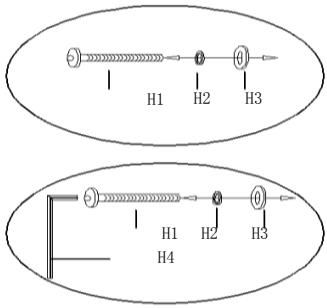
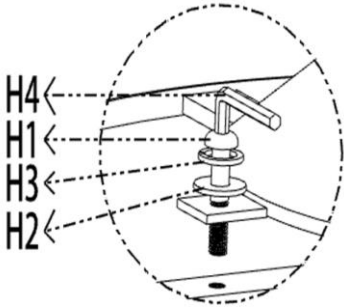
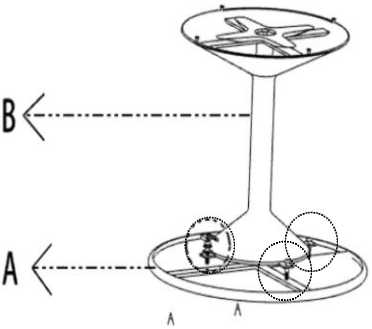


PREPARATION

Before beginning assembly of product, make sure all parts are present. Compare parts with package contents list and hardware contents list. If any part is missing or damaged, do not attempt to assemble the product.

Estimated Assembly Time: 8 minutes.

Tools Required for Assembly (included): Allen Key

		
<p>STEP1 PLACE TABLETOP (A) FACE DOWN ON A SMOOTH SURFACE</p>	<p>STEP2 ALIGN BRACKET ON LEG FRAME (B) TO TABLETOP (A)</p>	<p>STEP3 PUT THE WASHERS ON THE BOLT IN THE ORDER SHOWN IN THE PICTURE</p>
		
<p>STEP4 USE SCREW (H1) AND SECURE BOLTS TIGHTLY BUT DON'T TIGHTEN COMPLETELY</p>	<p>STEP5 REPEAT STEPS 3-4 TO SECURE REMAINING SCREWS AS INDICATED IN PICTURE ABOVE. ENSURE TO TIGHTEN COMPLETELY</p>	