

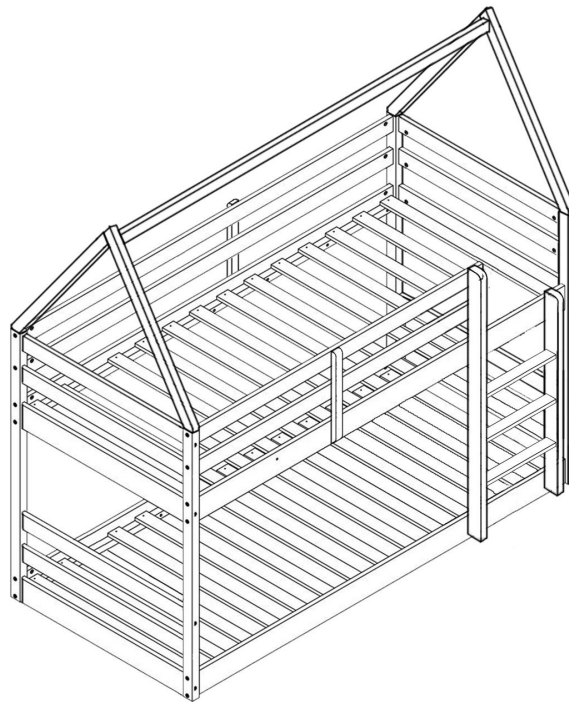
BunkHouse

Assembly Instructions

Thank you for your purchase.

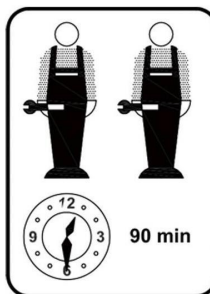
Please follow the instructions below for correct assembly.

- Quicker assembly, we recommend the use of a power drill on a low-speed setting.
- We strongly recommend that the product is assembled on a flat and smooth surface and keep on the same horizontal line, otherwise, there will be a phenomenon of screw dislocation and cannot be installed.

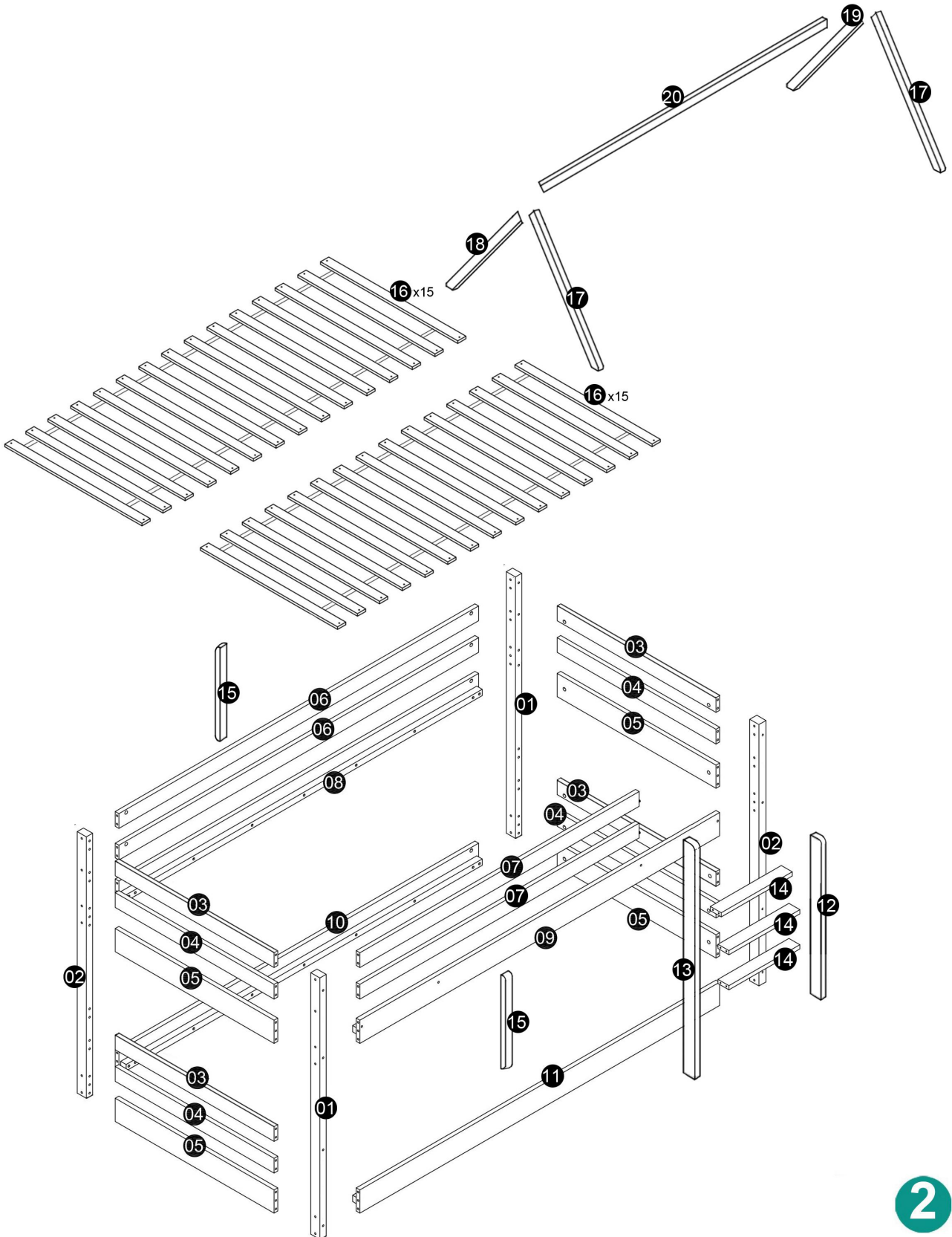


READ THE ASSEMBLY INSTRUCTIONS CAREFULLY. IDENTIFY THE ELEMENTS CONSTITUING YOUR PIECE OF FURNITURE. GROUP AND CHECK THE HARDWARE FITTINGS. GET THE TOOLS NEEDED. CLEAR SPACE TO WORK. PROCEED TO ASSEMBLE

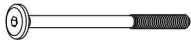


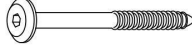
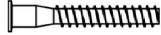






NEVER FORCE THE FITTINGS. TIGHTEN THE SCREW AFTER USING FOR SOMETIME. KEEP YOUR ASSEMBLY INSTRUCTIONS, IT COULD HELP FOR BETTER COMMUNICATION WITH YOUR STORE. IN THE EVENT OF QUERY.



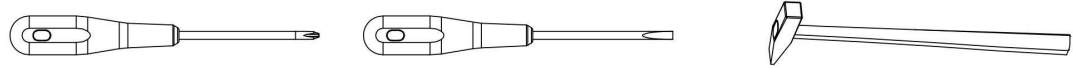
EXPLODED VIEW



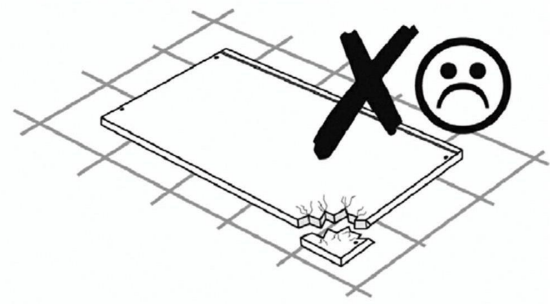
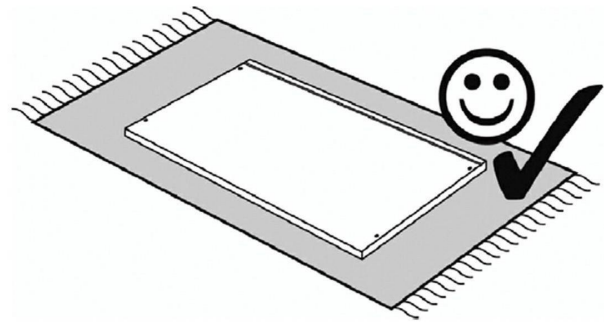
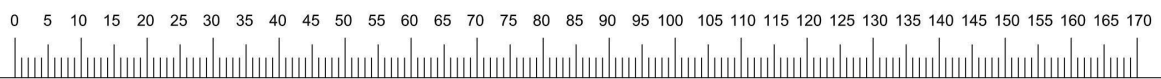
HARDWARE

A x18  M6x100mm	B x40 	C x62  ∅8 x30mm	D x12  ∅6 x70mm	E x12  10mm ∅7 x60mm
F x6  M6 x30mm	G x60  ∅4 x30mm	H x1 	I x40  ∅15mm	J x15  ∅8 mm
K x22  M6x70mm				

TOOLS



Ruler - Use this ruler to help correctly identify the screws

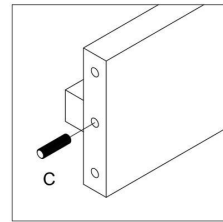
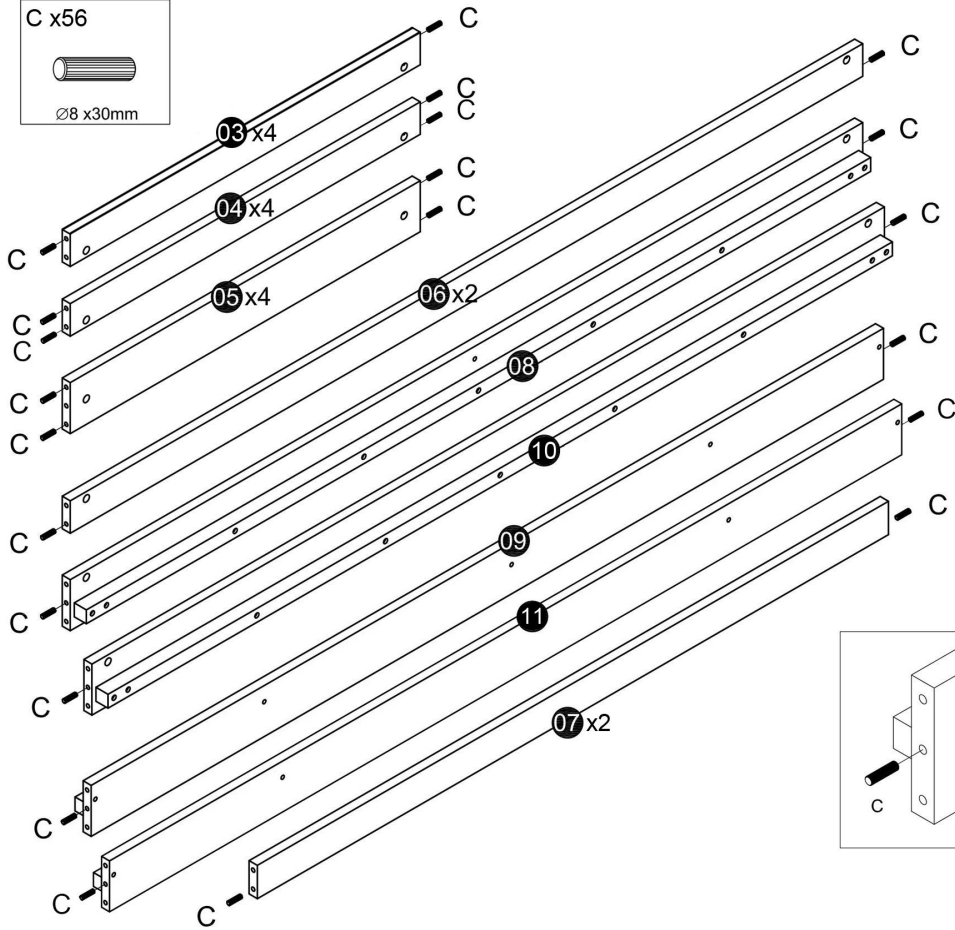


01

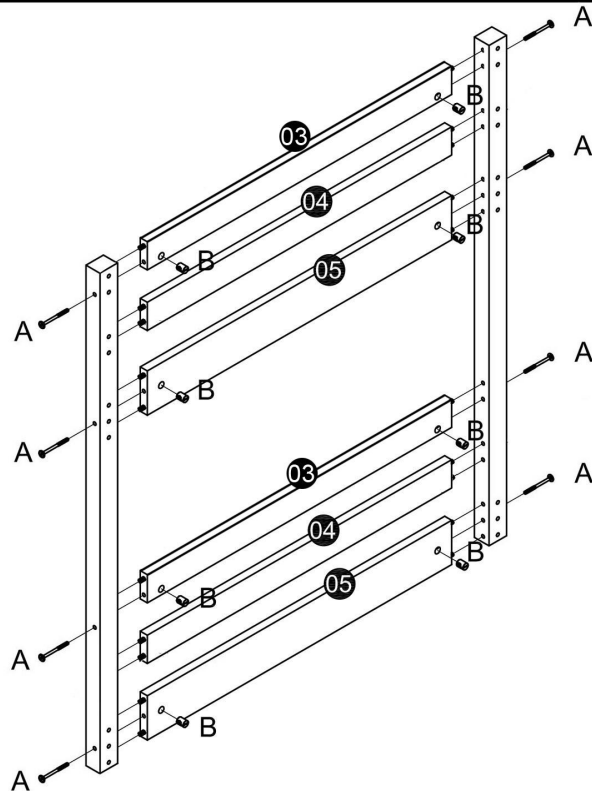
C x56



∅8 x30mm



02



A x16



M6x100mm

B x16



H x1



X2

4

03

K x20

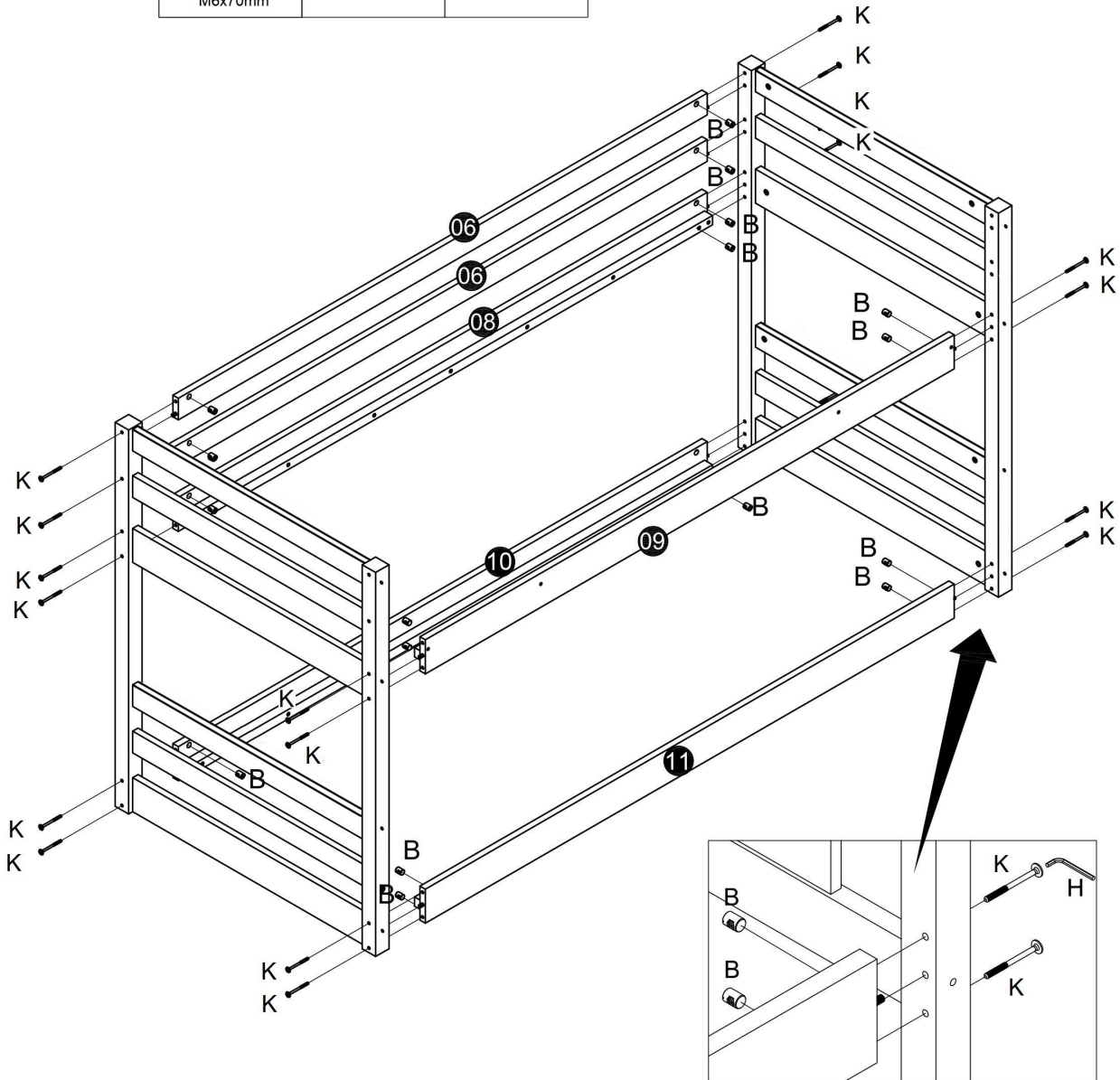


M6x70mm


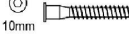
B x20

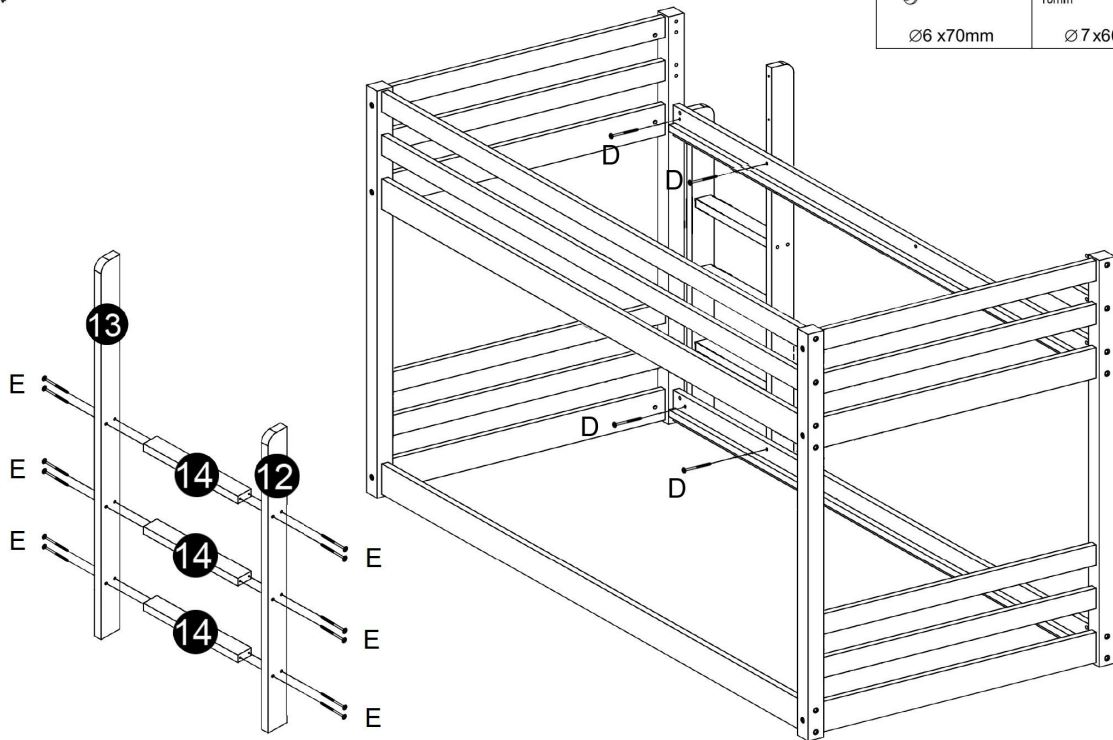


H x1







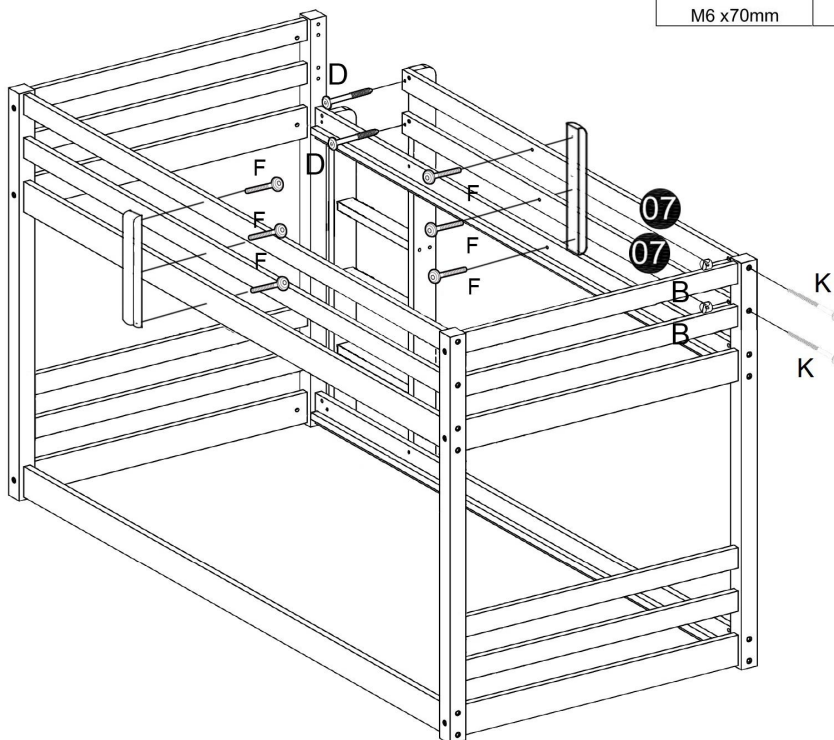
04

D x 04	E x 12
	
Ø6 x70mm	10mm Ø7 x60mm



05

K x 2	B x 2	D x 2
		
M6 x70mm		Ø6 x70mm
		F x 6
		
		M6 x30mm



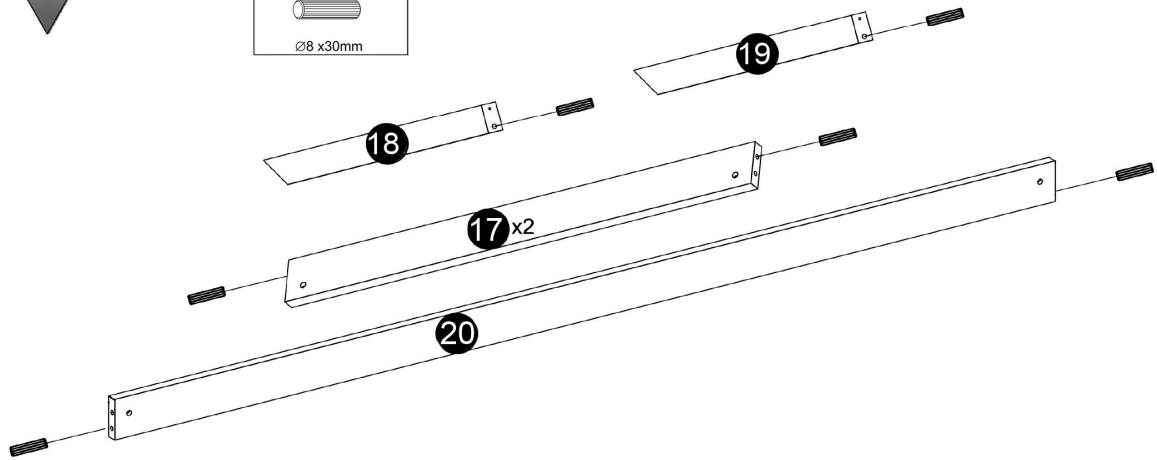
6

06

C x6



∅8 x30mm

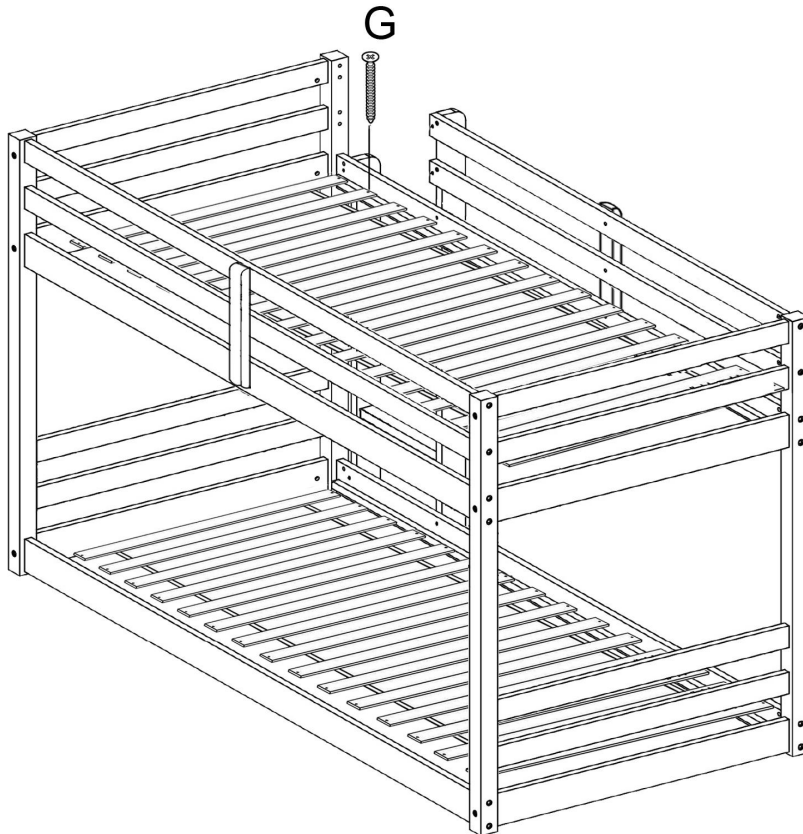


07




G x60

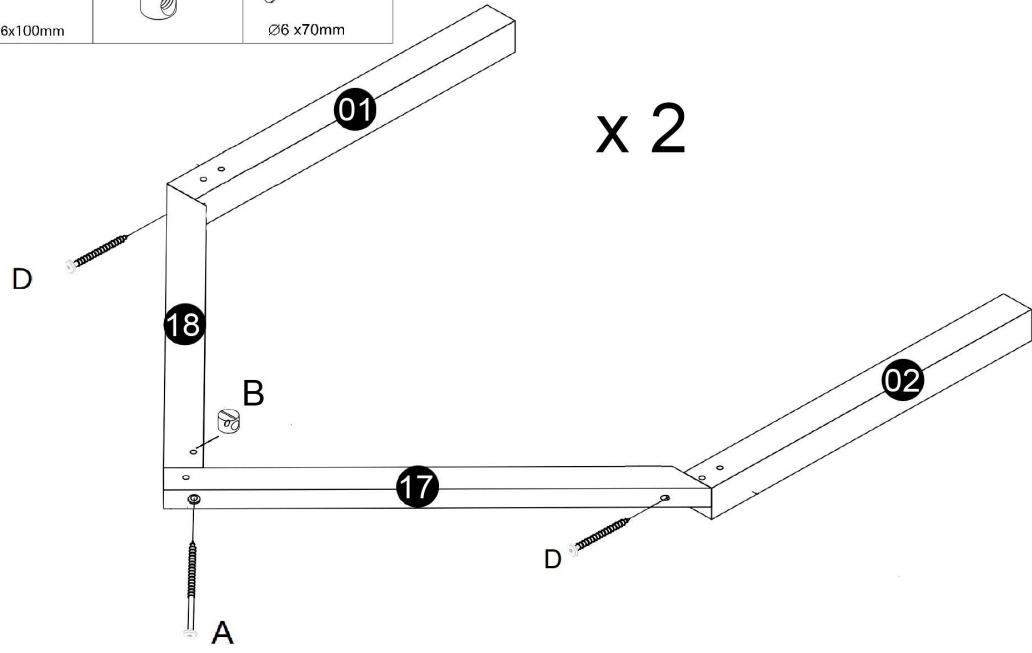


∅4 x30mm






08

A x2  M6x100mm	B x2 	D x4  Ø6 x70mm
---	---	---



09

D x2  Ø6 x70mm	I x40  Ø15mm	J x15  Ø8 mm
---	---	---

