

NOTE:

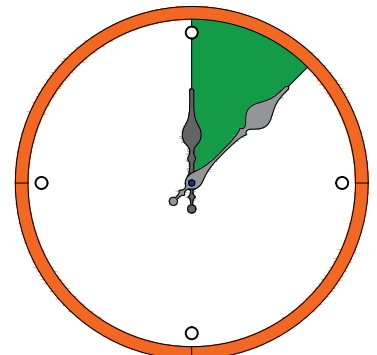
This brochure contains IMPORTANT safety info. Please read and keep for future reference.

MAINTAINANCE AND WARNING

- 1.Keep furniture away from heat sources.
- 2.Do not clean furniture with harsh cleaner or polishes.Do not use detergents,solvents,abrasives,spray packs or leather cleaner. Use non-color mild soap with warm water to clean spills(Mix 1:10 soap to water).
- 3.Do not place furniture under direct sunlight,material will possibly fade over time.
- 4.Do not use on site dry cleaning machine.Children should not climb or jump on the furniture.
- 5.Do not write on furniture that is not protectedby a padded barrier.
- 6.Not for commercial use,only for residential use.

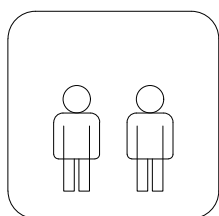
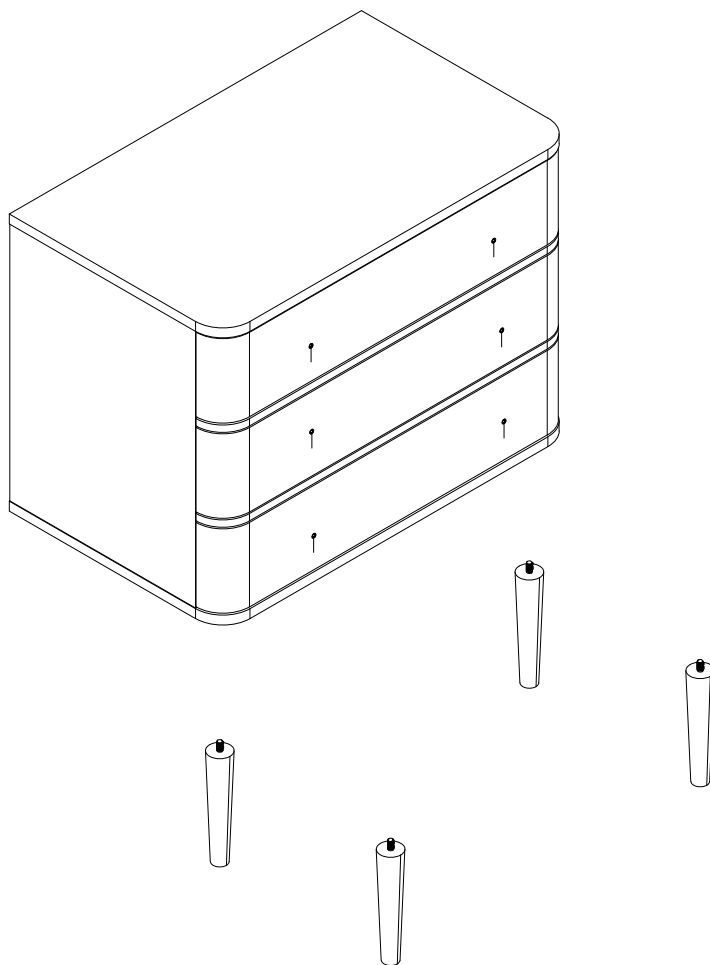


Weight Limitation
110 LBS

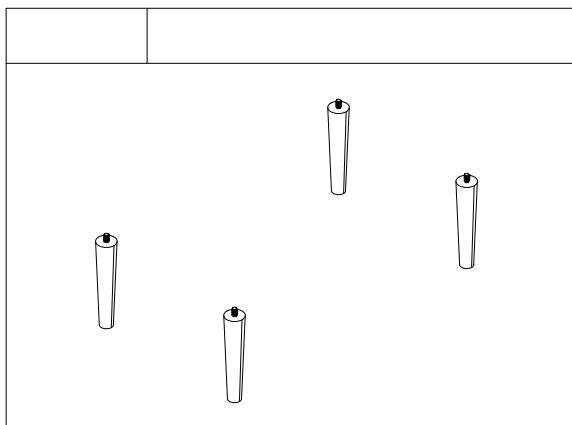
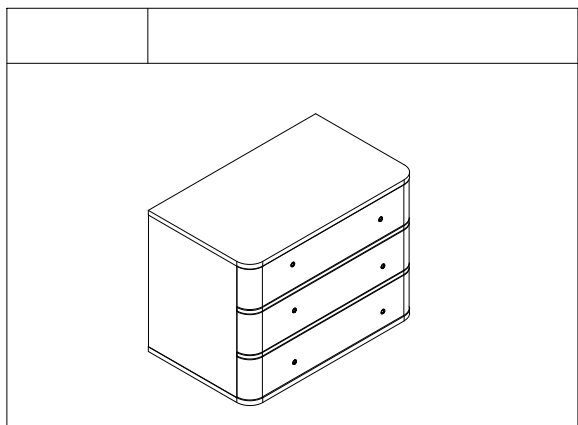


Around **20** min
2/11

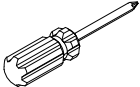
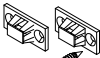


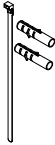
EXPLOSIVE VIEW



PARTS LIST



TOOL LIST

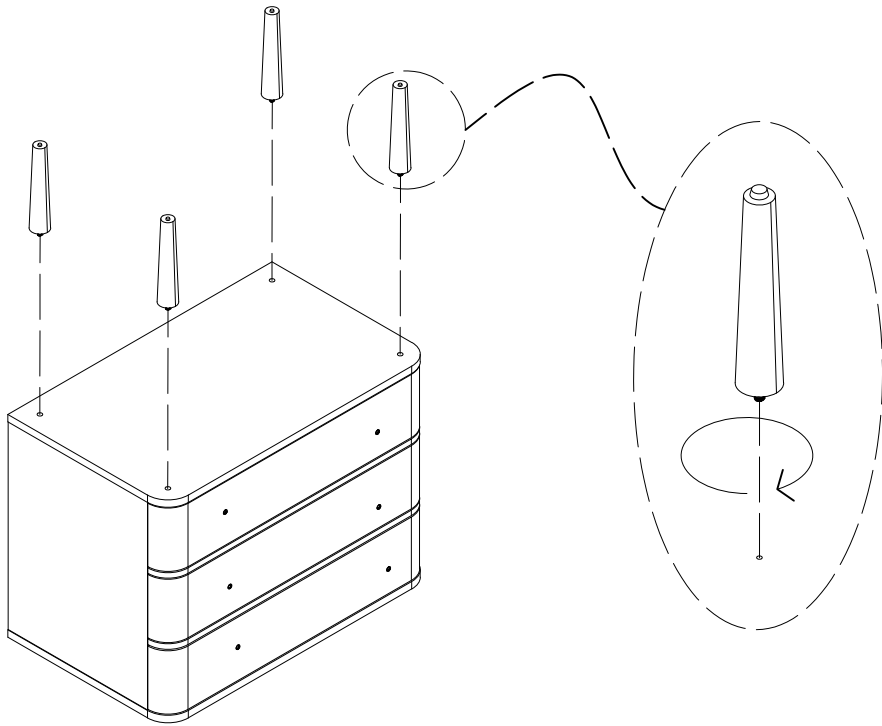
#1	x1	#2	#2
		  	
		Ø3.5x12mm Ø4x30mm	

ASSEMBLY INSTRUCTIONS

STEP-1

Turn the assembled unit upright.

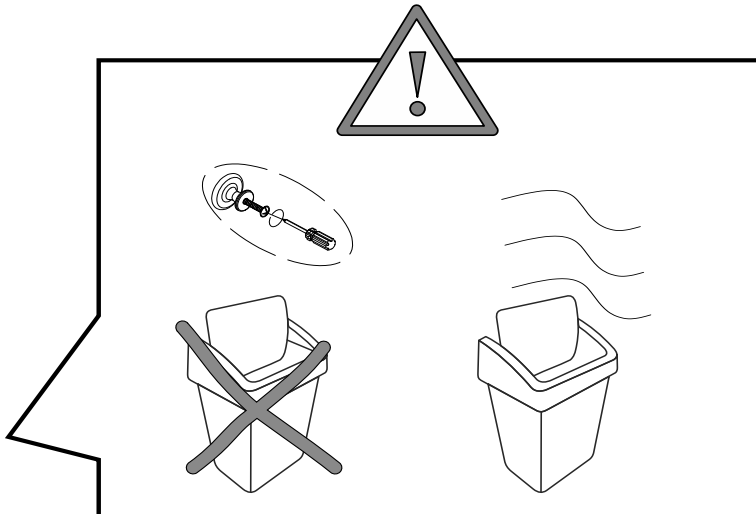
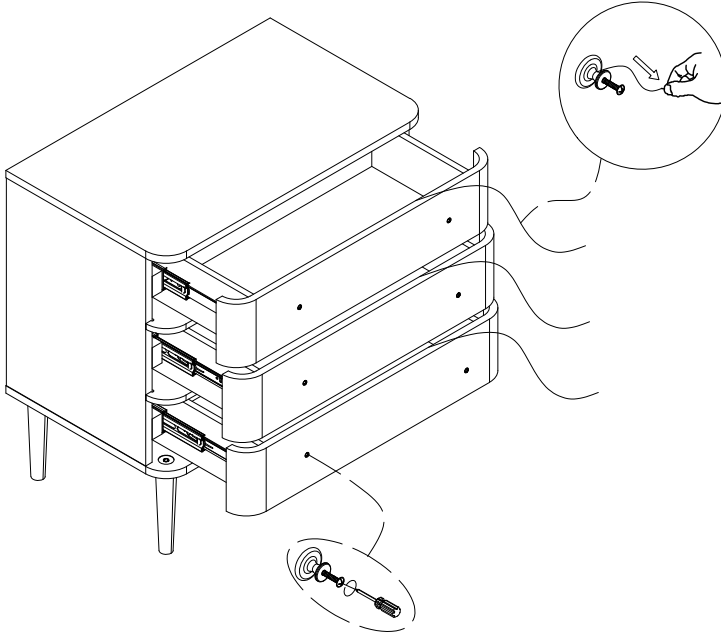
Screw foot into corresponding hole by hand as picture show



ASSEMBLY INSTRUCTIONS

STEP-2

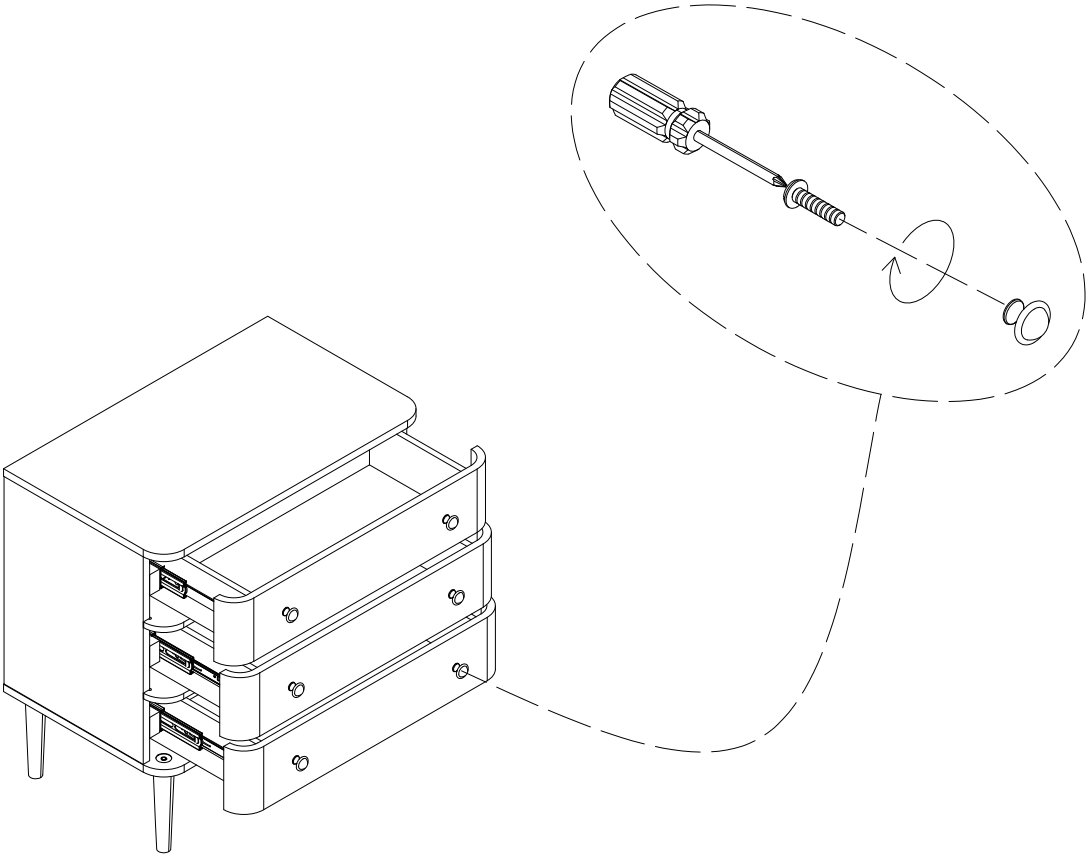
1. Pull out the drawer with a string
2. Unscrew the fastening screw and take out the handle



ASSEMBLY INSTRUCTIONS

STEP-3

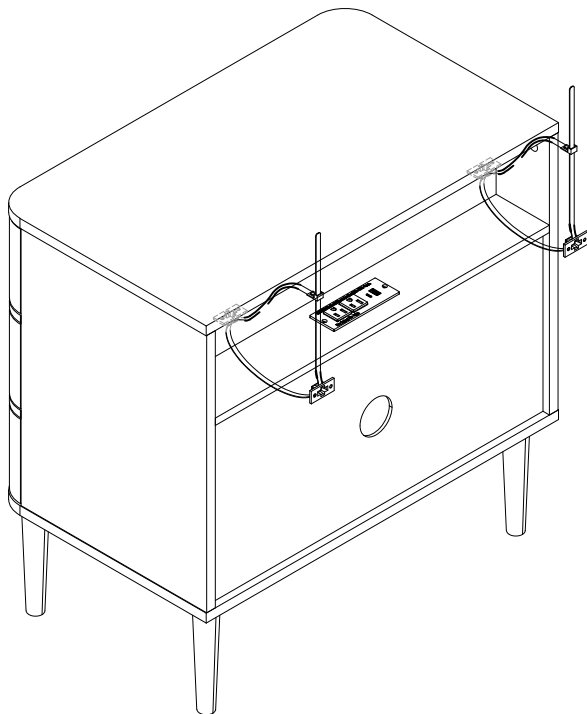
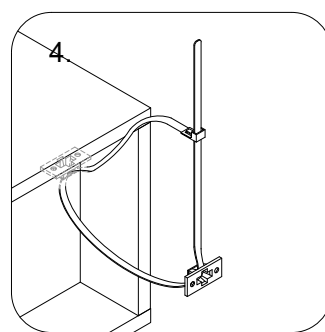
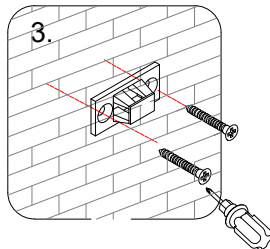
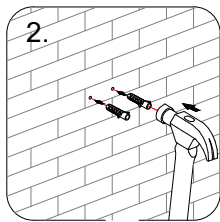
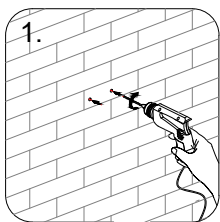
Install the handles

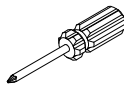
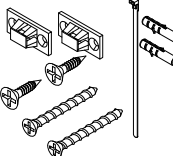


ASSEMBLY INSTRUCTIONS

STEP-4

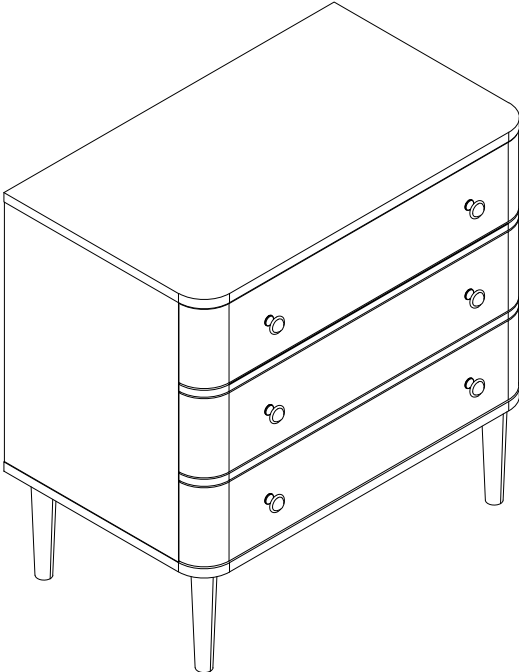
1. Install the anti-collapse device.
2. Mark the position on the wall, that corresponds to the location of plastic part under the Top panel ; Drill and insert the expandable screw by hammer.
3. Assemble the plastic part to the wall. Align the hole in the plastic part with the expandable screw , use longer screw (D4x30mm) to attach it and tighten by screwdriver(#1) (show as picture 1~3)
4. Assemble the plastic part to the back of Part (under Part). Align the hole in the plastic part, use shorter screw (D3.5x12mm) to attach it and tighten by screwdriver (#1) (show as picture 4)
5. Let the plastic belt pass through the both plastic part and pull tightly



#1	x1	#2	x2
			
		Ø3.5x12mm Ø4x30mm	

ASSEMBLY INSTRUCTIONS

STEP-5



WARRANTY

1. We strive to offer high-quality products, and we also try our best to satisfy each and every customer that orders from us with product or service as needed.
2. We provide 30 days warranty starting from the time you receive the item. Each customer must provide a record of their order such as the order number, or item receipt for any items that are out of the warranty period you may also still receive.
3. Replacement parts by purchasing them with our company if they are available.

Appreciate your purchasing from us.
Pop up your life by our furniture piece!