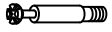



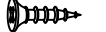


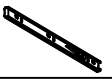

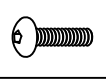
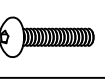
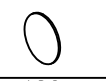
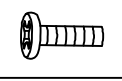

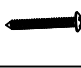

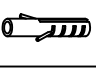
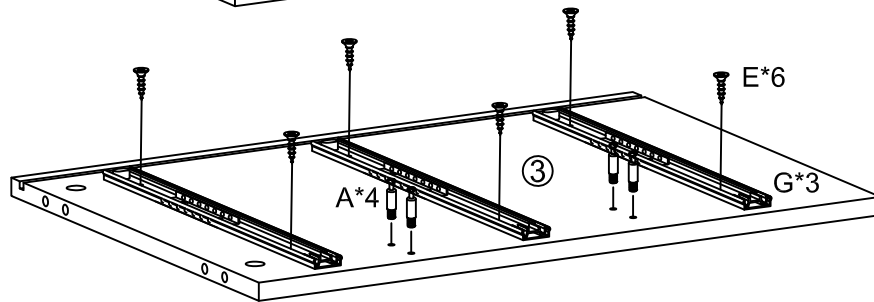
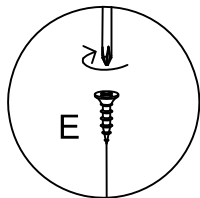
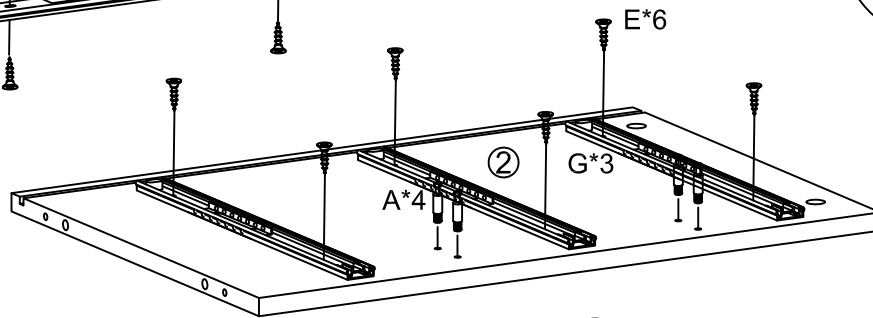
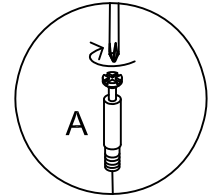
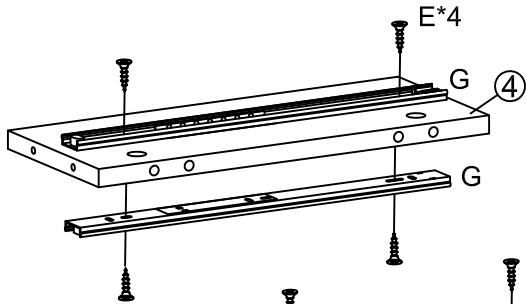
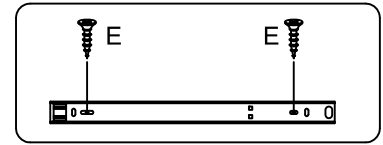
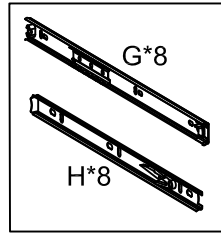
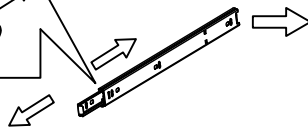
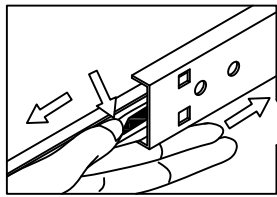
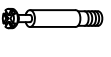
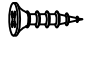



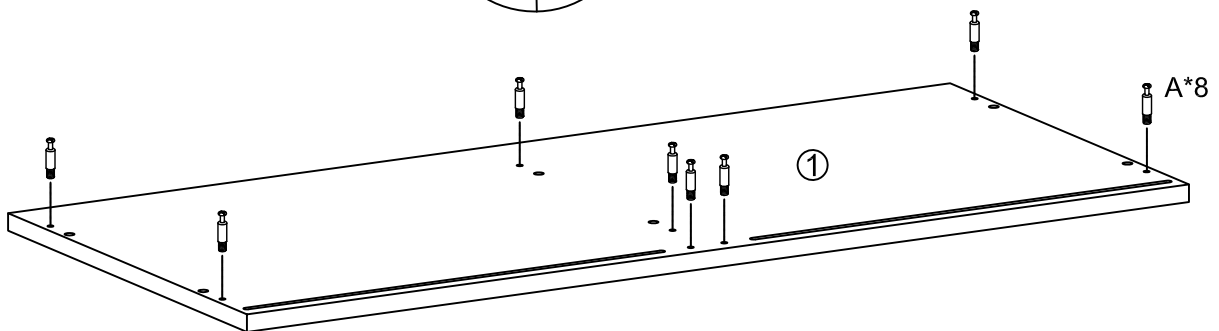
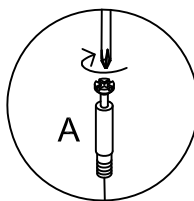
A	x36	B	x36	C	x9	D	x11	E	x40	F	x20	G	x8
													
M6*35mm		φ15mm		M7*50mm		φ8*30mm		φ3.5*14mm		M4*35mm		340mm	
H	x8	I	x8	J	x10	K	x4	L	x16	M	x6	N	x12
													
340mm				M6*30mm		M6*40mm		φ20				M4*18mm	
O	x1	P	x2	Q	x2	R	x2						
													
M4		M4*45mm											

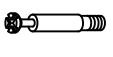
1



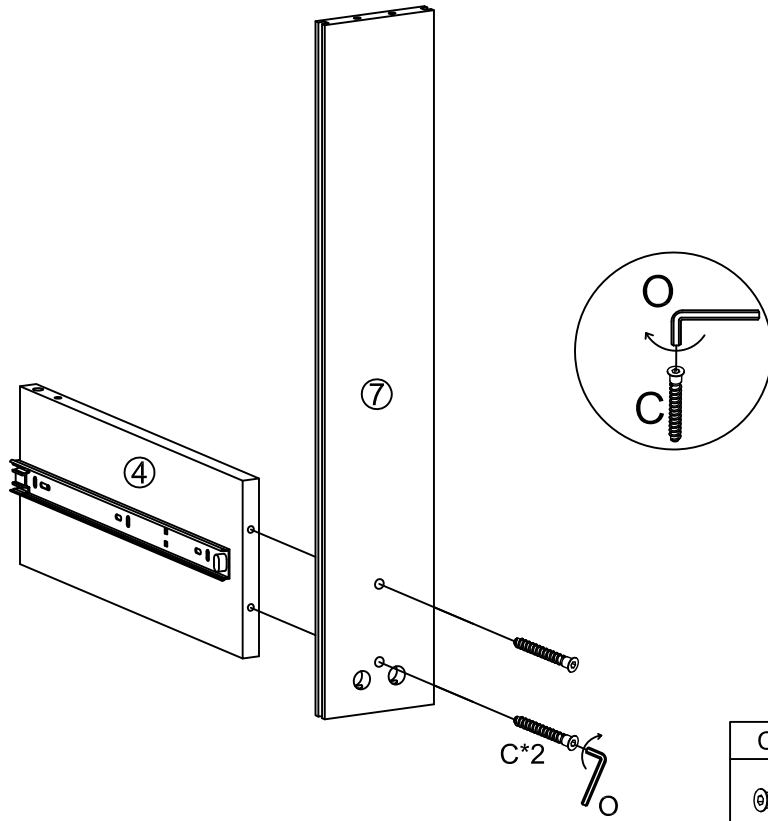
A	x8	E	x16	G	x8
					
M6*35mm		φ3.5*14mm		340mm	



2



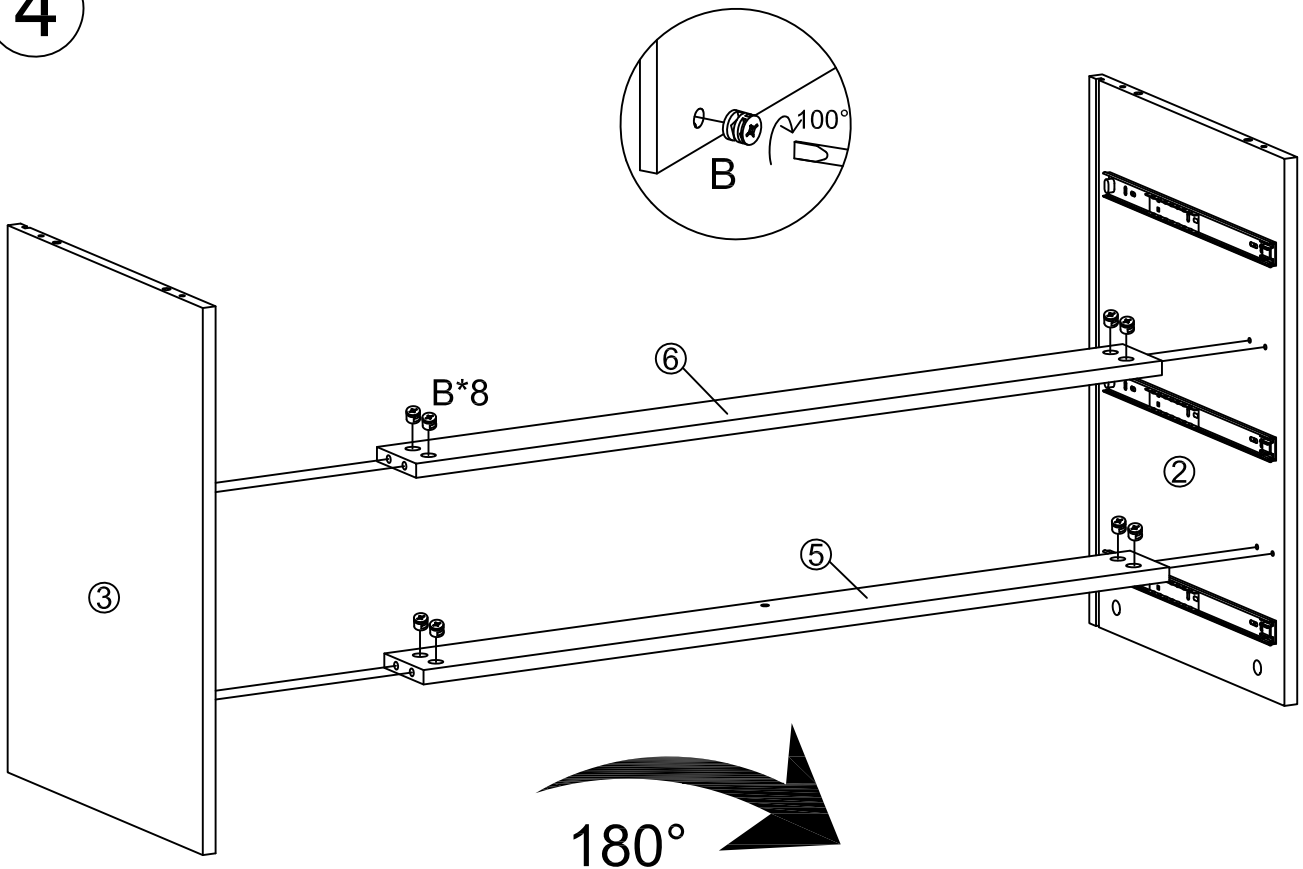
A	x8
	
M6*35mm	


3




C	x2	O	x1
			
M7*50mm		M4	

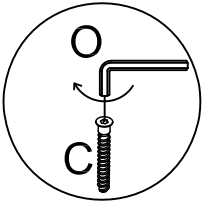
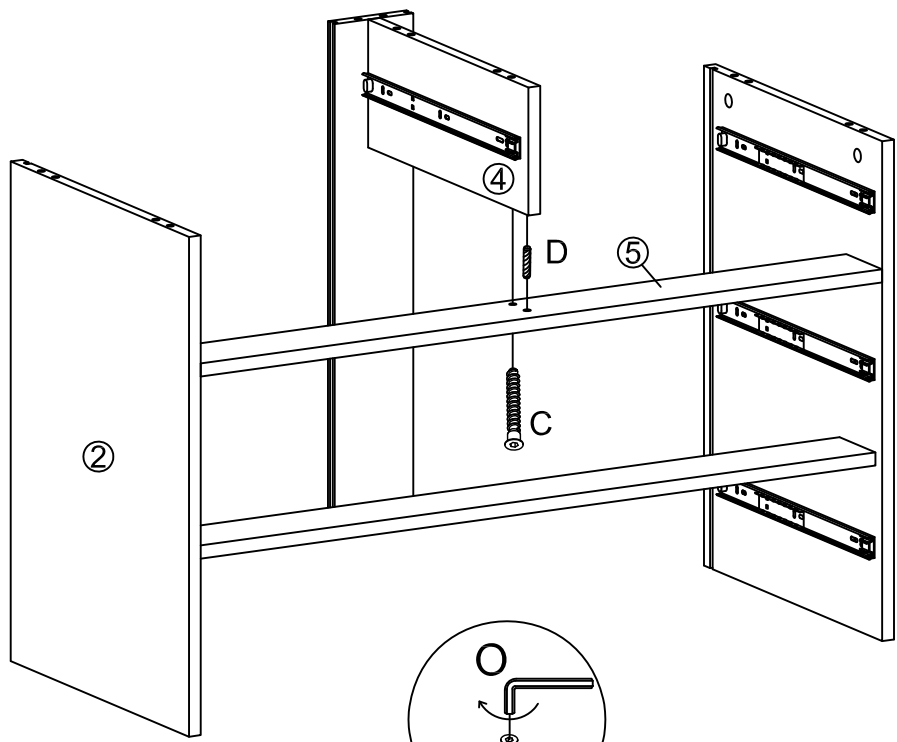
4






180° 

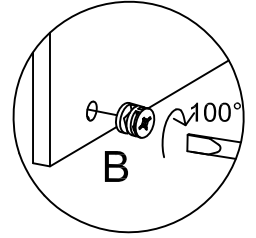
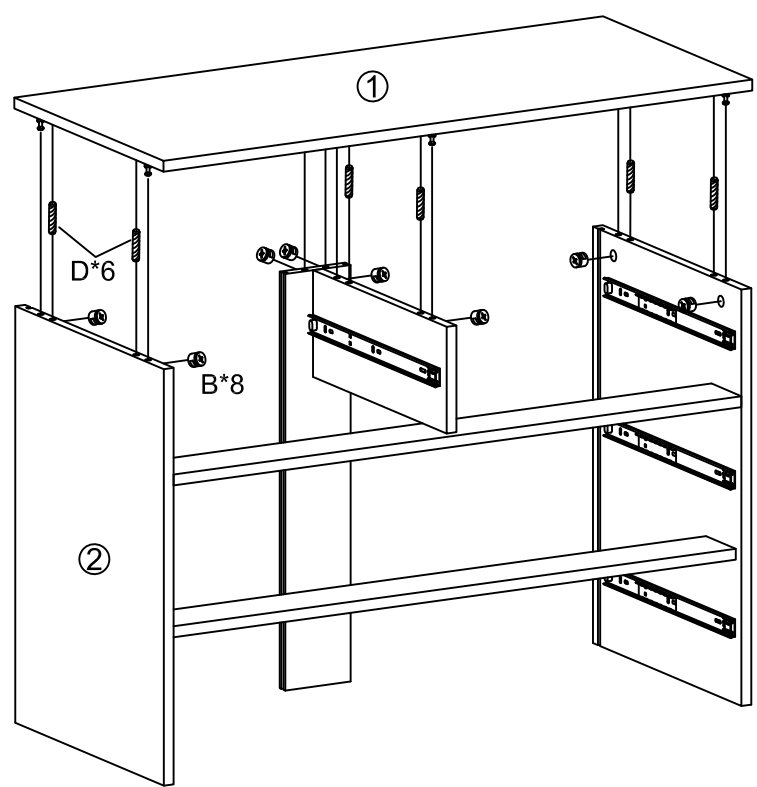
B	x8
	
ø15mm	


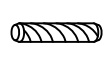
5



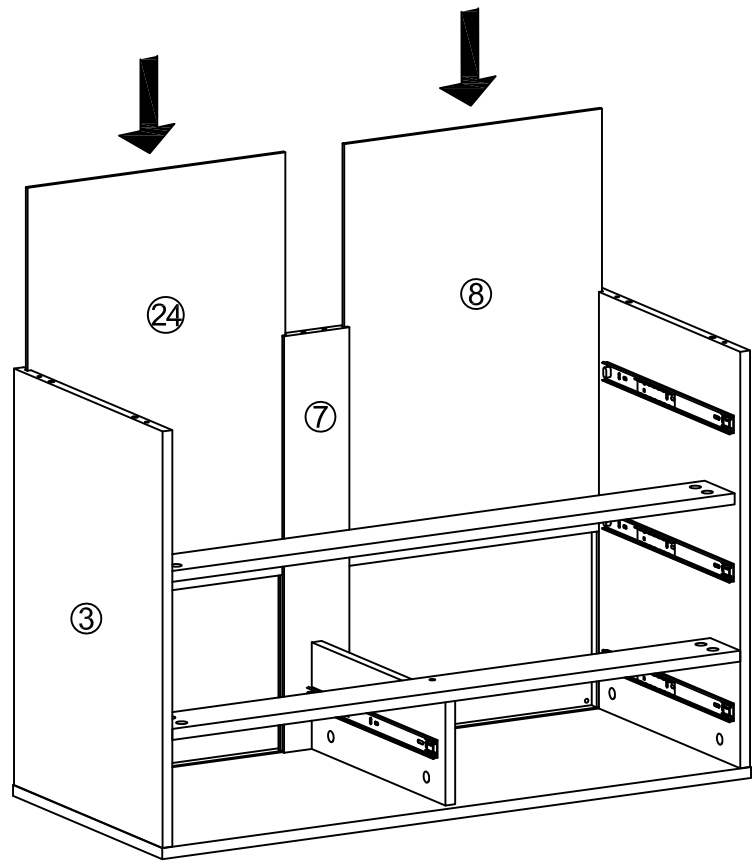
C	x1	D	x1	O	x1
					
M7*50mm		φ8*30mm		M4	

6

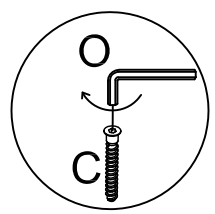
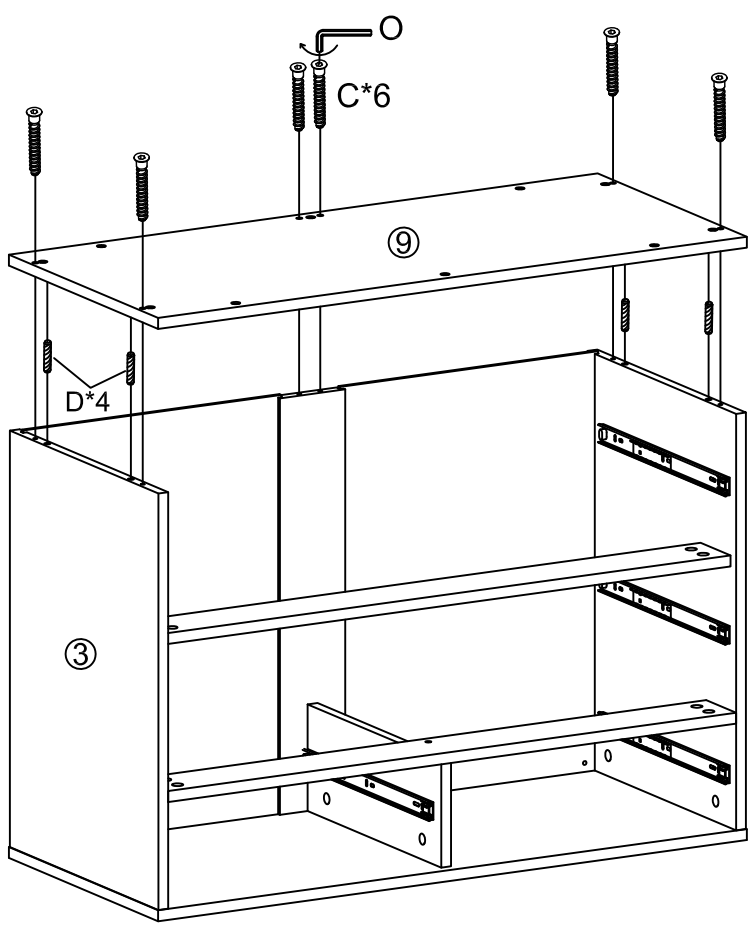





B	x8	D	x6
			
φ15mm		φ8*30mm	

7

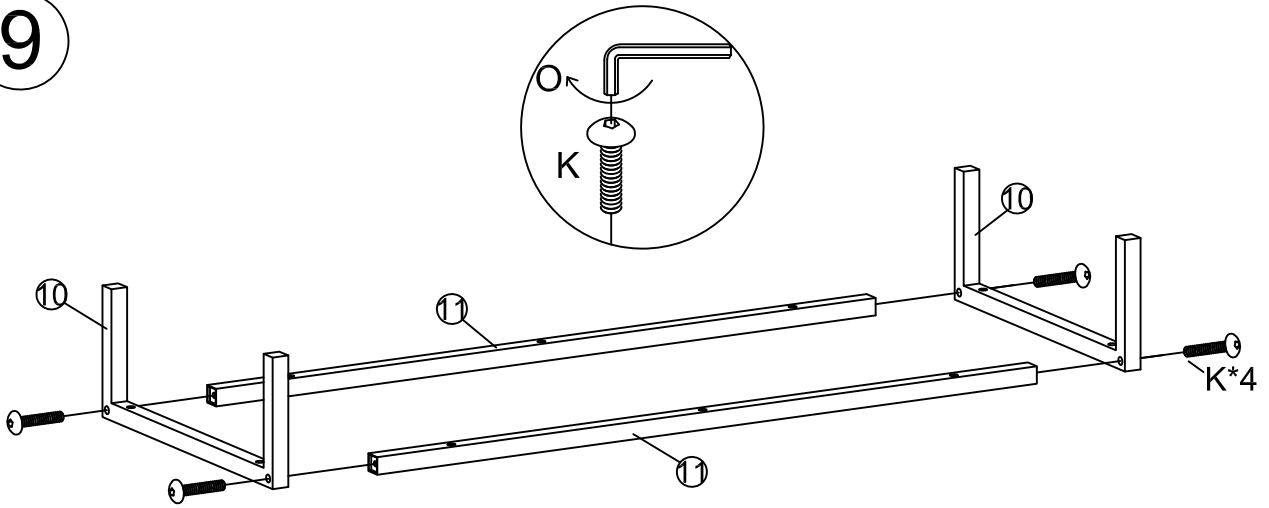




8



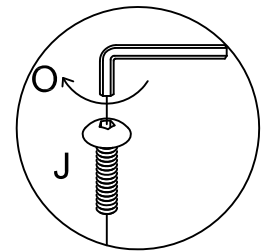
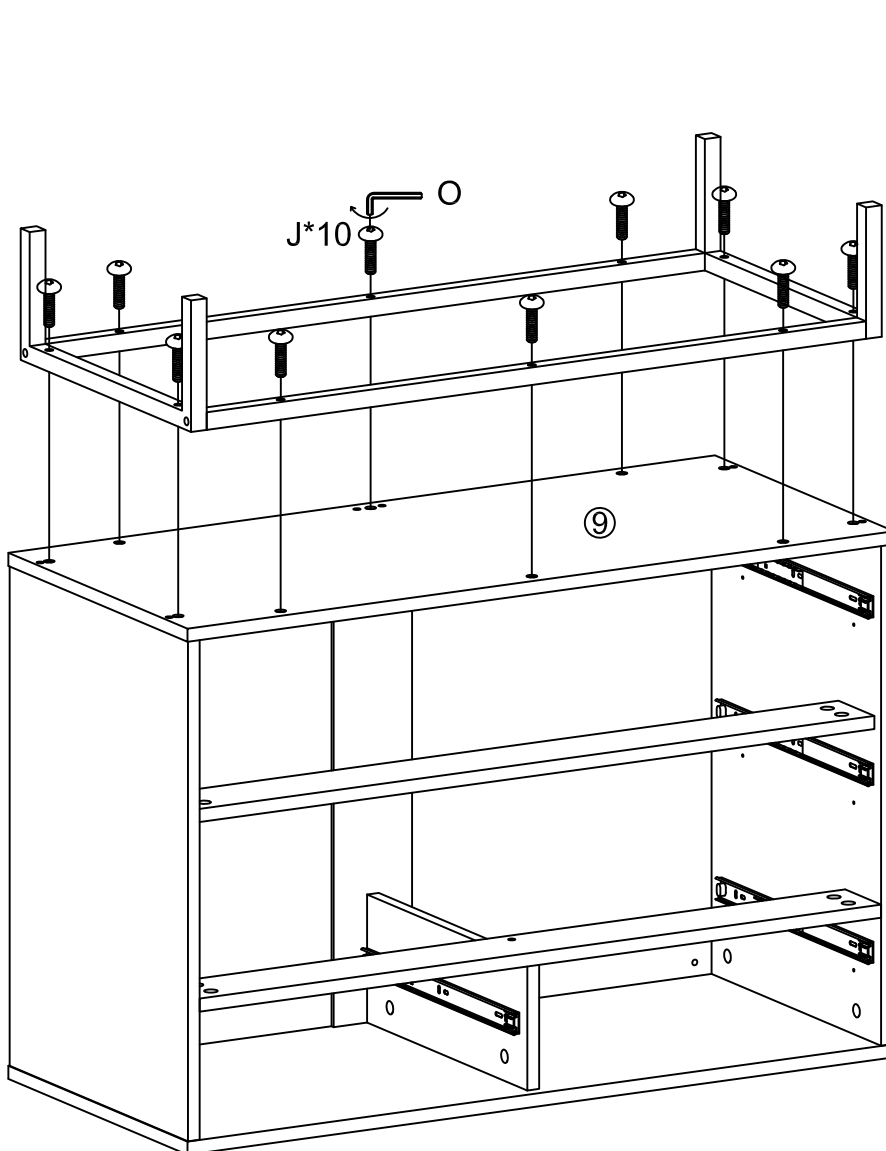
C	x6		
			
M7*50mm			
D	x4	O	x1
			
ø8*30mm		M4	

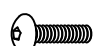

9



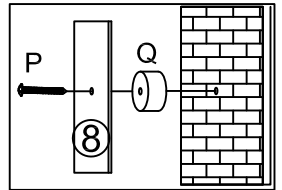
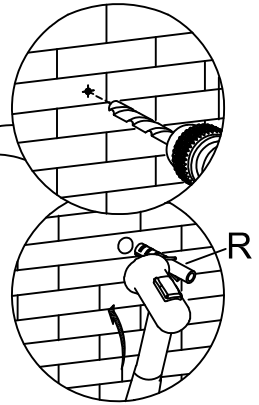
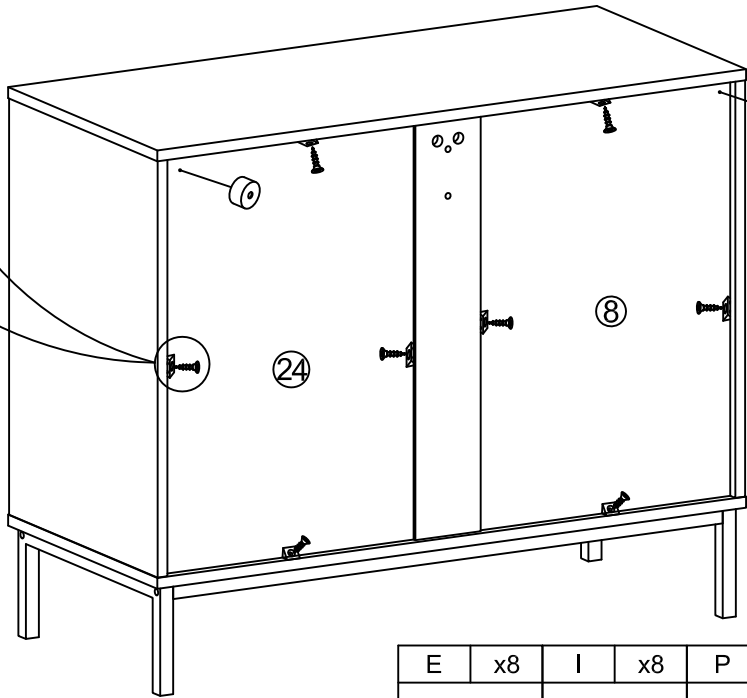
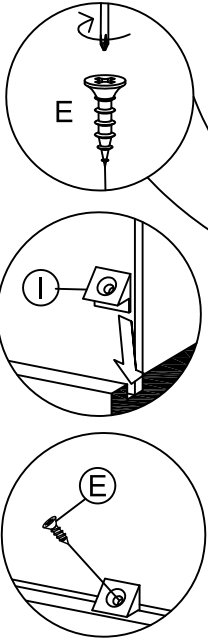
K	x4	O	x1
			
M6*40mm		M4	

10



J	x10	O	x1
			
M6*30mm		M4	

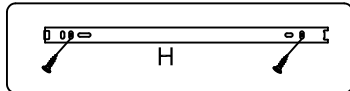
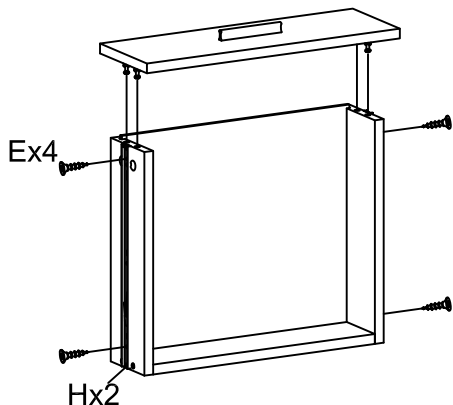
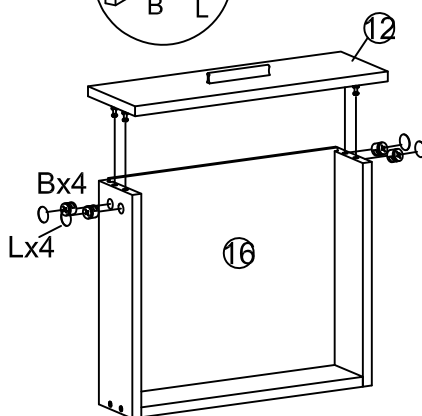
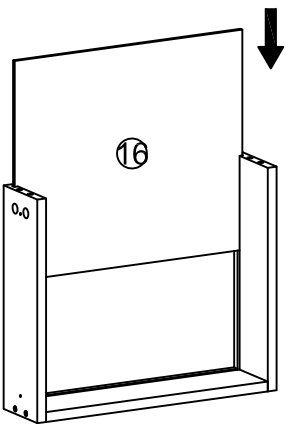
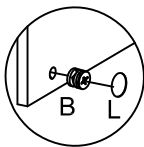
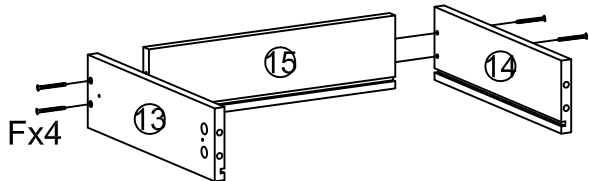
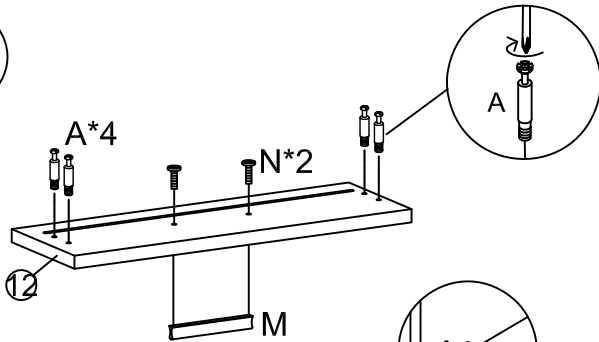
# 11



x2

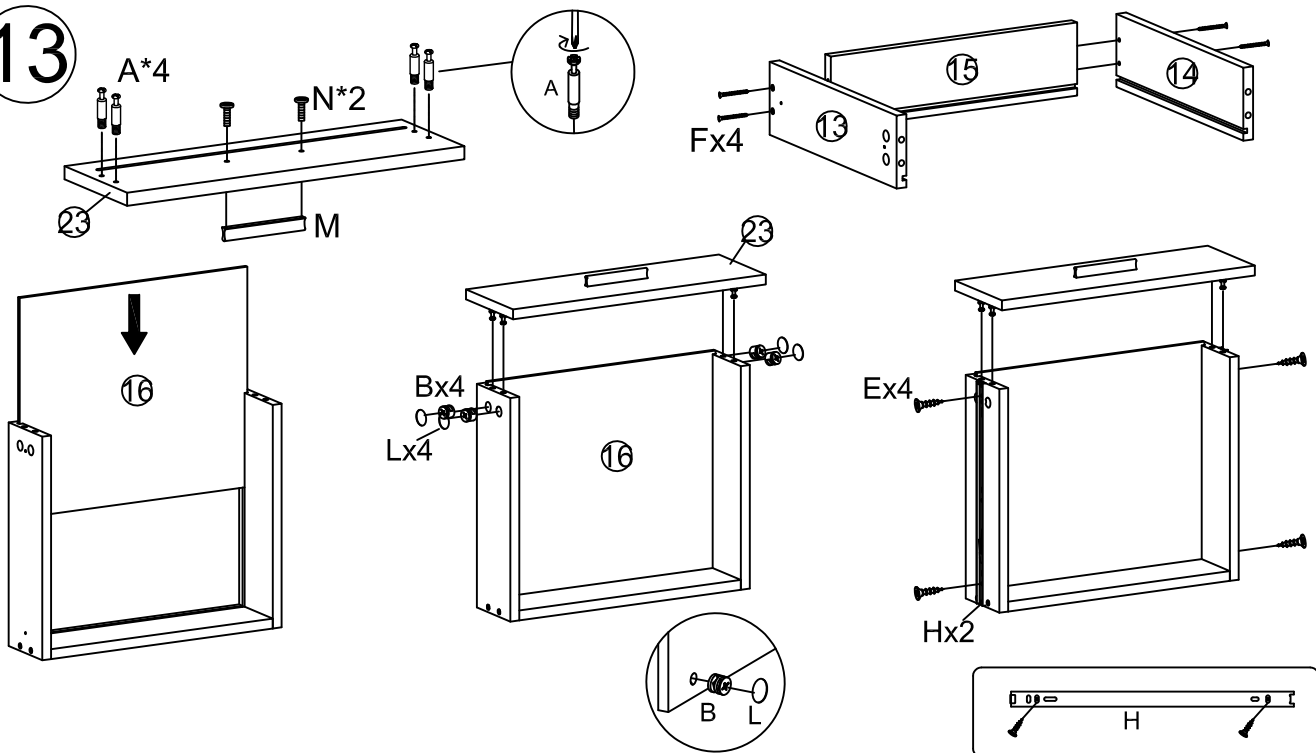
E	x8	I	x8	P	x2	Q	x2	R	x2
ø3.5*14mm									

# 12



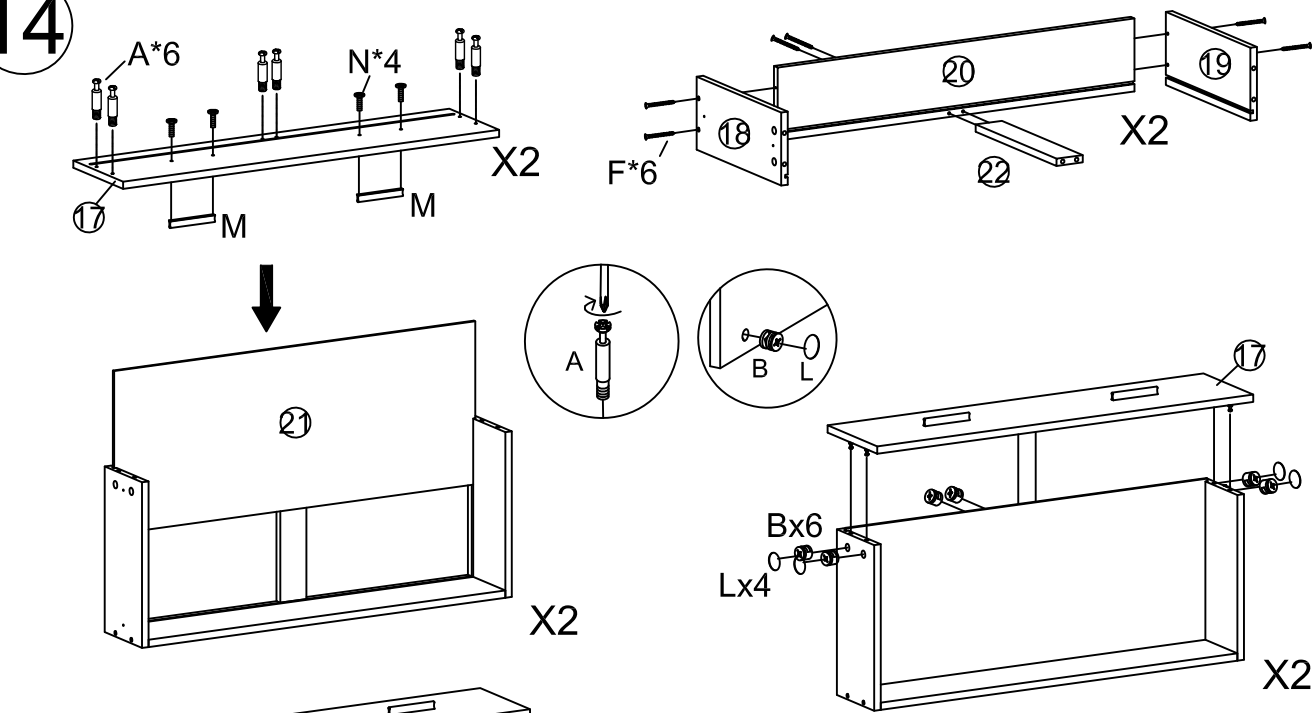
A	x4	B	x4	E	x4	F	x4	H	x2	M	x1	N	x2	L	x4
M6*35mm		ø15mm		ø3.5*14mm		M4*35mm		340mm				M4*18mm		ø20	

# 13



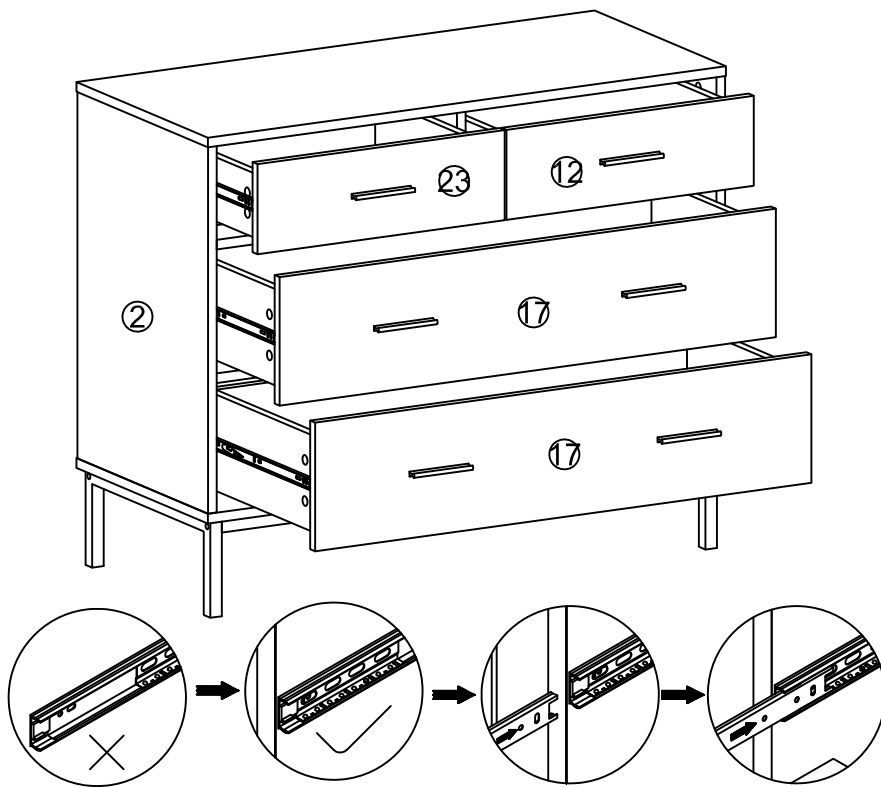
A	x4	B	x4	E	x4	F	x4	H	x2	M	x1	N	x2	L	x4
M6*35mm		φ15mm		φ3.5*14mm		M4*35mm		340mm				M4*18mm		φ20	

# 14



A	x12	B	x12	E	x8	F	x12
M6*35mm		φ15mm		φ3.5*14mm		M4*35mm	
H	x4	M	x4	N	x8	L	x8
340mm				M4*18mm		φ20	

15



16

