

## HOW TO USE AND CLEAN

In order to keep the LED mirror in perfect condition, we suggest a proper use and regular cleaning.

### How to Use

- 1、 Please ensure that the product is used within the safe voltage range of 100V-120V.
- 2、 Please wrap electrical tape around the wires to prevent electrical leakage.
- 3、 Avoid using hard or pointed items to strike the mirror glass so as to prevent damage.

### How to Clean

When cleaning the mirror, please follow these steps:

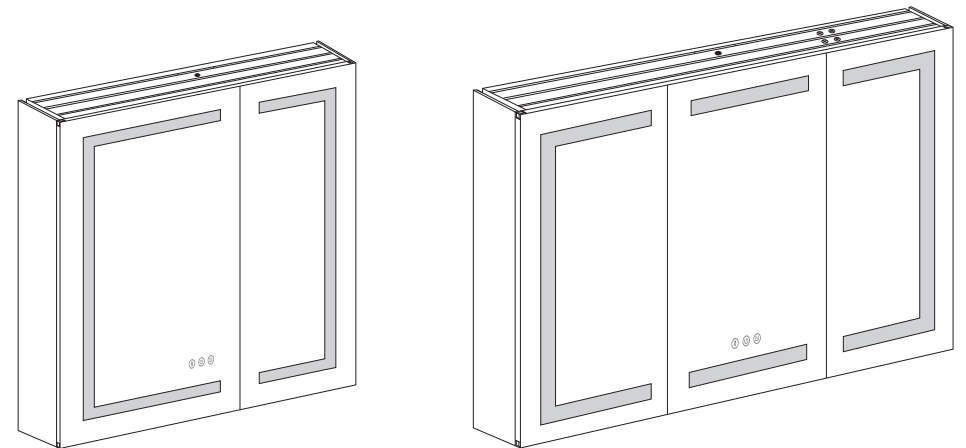
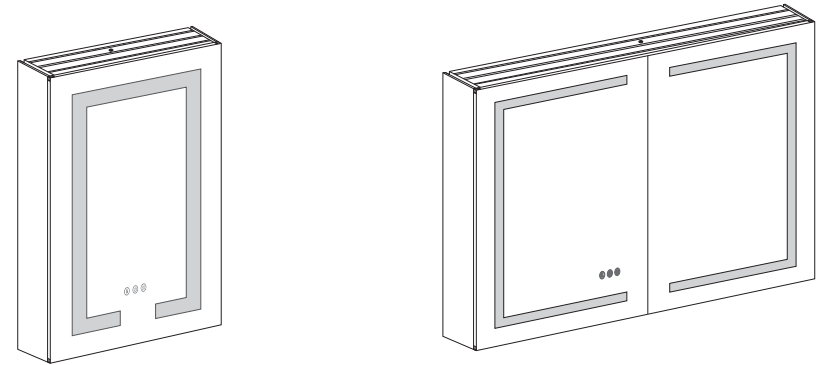
- 1、 Use a soft, non-abrasive cloth to clean the mirror. Avoid using rough or abrasive materials that may damage the surface.
- 2、 Do not use any cleaning agents that may cause irritation or damage to the mirror's finish. Instead, use any of the recommended cleansers to remove dirt and grime:

### ★ Warranty

A two-year warranty from the date of your purchase.

## BATHROOM LED MEDICINE CABINET













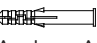


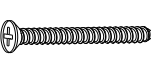
### INSTALLATION MANUAL





## CONTACT US

Thank you for shopping with us! We hope that our products have added a touch of brightness to your life. If you need any assistance, please don't hesitate to reach out.

## PACKING LIST

	 16x24 20x26	 24x32	 30x26	 30x32 36x32	 36x24	 40x32	 48x32
 Tempered Glass Plate	2	3	2	3	2	3	6
 Lower Bracket	1	1	1	1	1	1	1
 Upper Bracket	2	2	3	3,4	4	4	4
 Shelf Clip	10	14	10	14	10	14	26
 Spout Plug	8	8	8	8	8	8	16
  Anchors A Short Screws	6	6	8	8,10	10	10	10
  Anchors B Long Screws	6	6	8	8,10	10	10	10

 Side Panels	2	2	2	2	2	2	2
 Panels Screws	4	4	4	4	4	4	4

## BEFORE INSTALLATION

Thank you for choosing our products. To ensure the best experience, **please read carefully and follow the instructions provided below before assembling and installing the product.**

### 1. Important Safety Instructions:

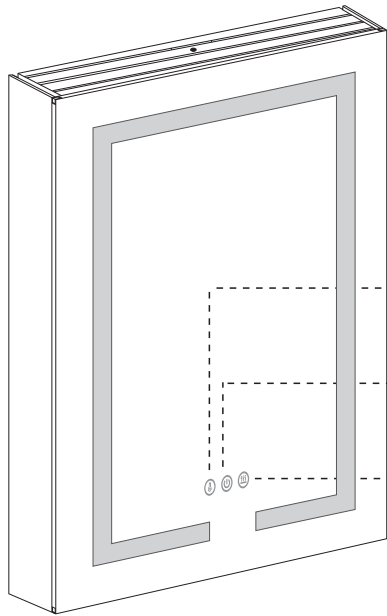
- Assembly by two or more adults is highly recommended, so as to ensure proper installation.
- To connect the wires to the electrical junction box, a qualified technician or electrician is highly recommended.
- Disconnect power before installing, adding, or changing any components.
- Make sure that the fixing location can support the weight of the entire fixture (e.g. solid stone or brick walls).
- To prevent injury, the mirror must be installed as per the instructions provided.
- The medicine cabinet can be wall-mounted or recess-mounted. If you prefer wall mounting, the wall should be covered with wood panels and supported by a framed wall studs behind, or a strong concrete wall.




### 2. Pre-assembly:

- Inspect the product immediately upon receipt for any transit damage or missing parts.
- The voltage for your product should be between 100V and 120V. If the voltage exceeds 120V, please use a transformer.
- You can connect the wires directly to your junction box or plug.

### 3. Before Installation

- Please check and make sure that the mirror is functioning properly.



-  Color Temperature
-  ON/OFF/Brightness
-  Anti-fog

### ① Color Temperature

You can select the color temperature by tapping the button: the first tap is white light, the second tap is warm light, and the third one is natural light.

### ② ON/OFF/ Brightness

The button controls light switch and brightness. Tap the button to turn on the light and tap again to turn it off. The brightness can be adjusted with a long press on the button. After turning off the mirror light, you can turn off the light of touch switch as well by long pressing the ON/OFF button.

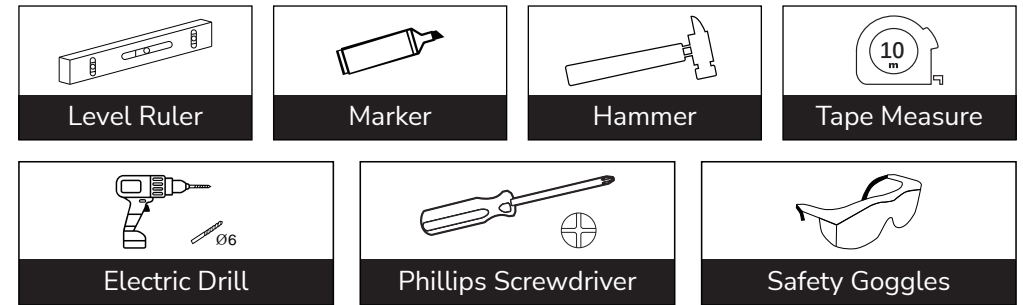
### ③ Anti-fog

The anti-fog function helps resist the troubling fog and keep a clear reflection image. To save energy, it will automatically turn off after one hour.

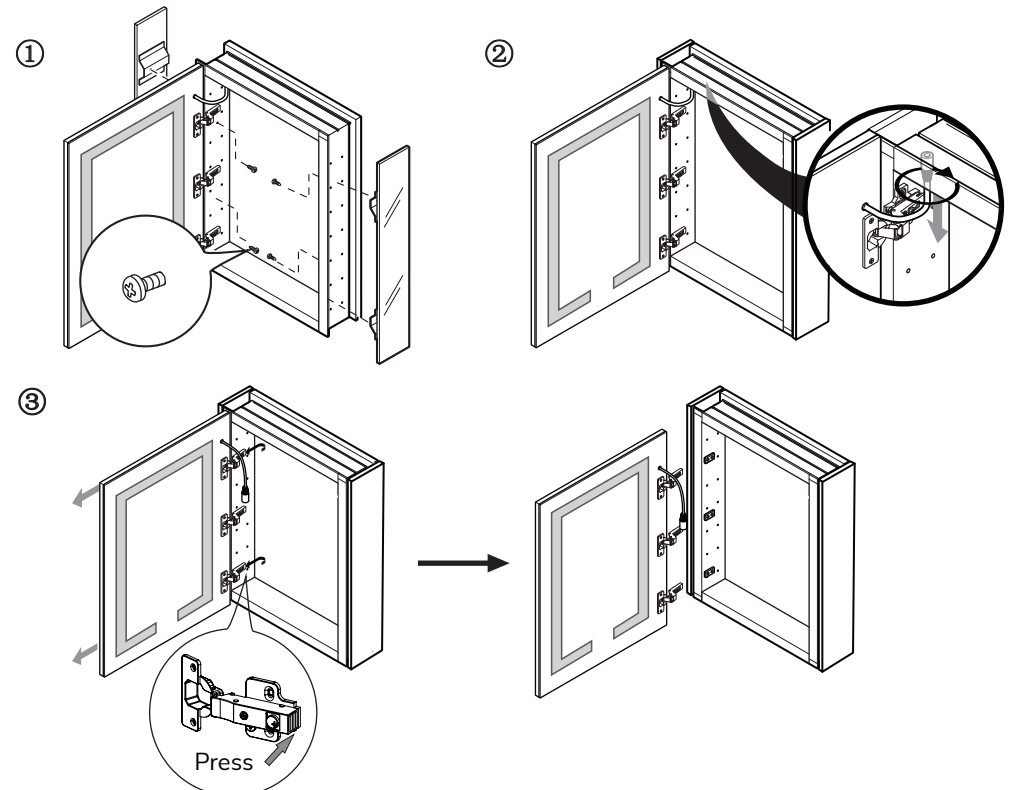
By following these steps, you can ensure that your mirror is working properly before installation. If there're any problems, please contact us for support.

## SURFACE-MOUNT INSTALLATION

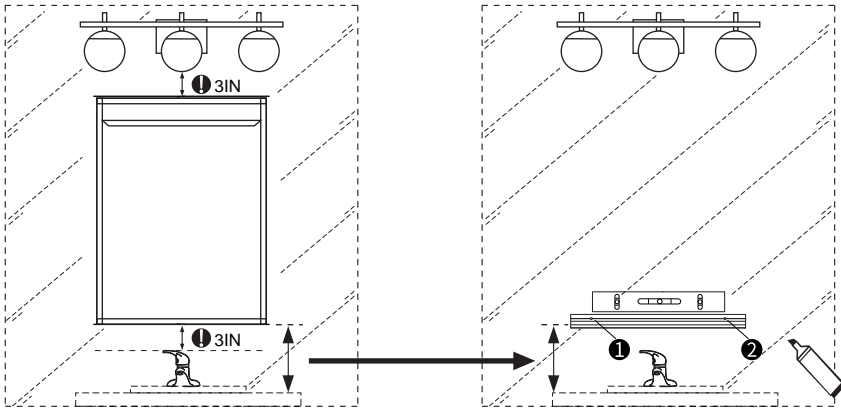
### Installation Tools



1. Before installation, install side panels (①) and release the cable that connects the door and the cabinet (②). Press the lever under the hydraulic hinge, detach and slide the door off the frame (③).

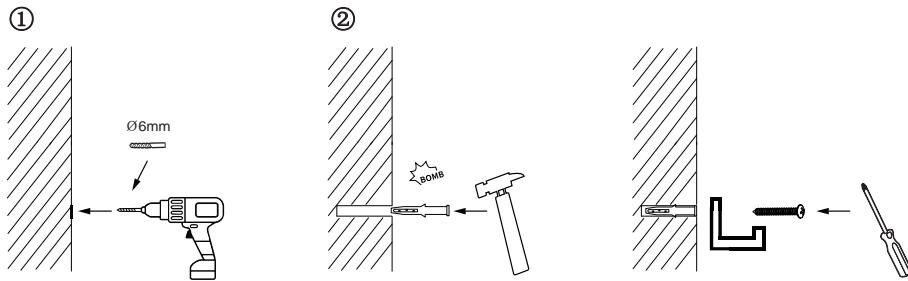


2. Place the medicine cabinet against the wall and mark the placement of the cabinet. Draw a line on the wall with a level and marker to indicate where the cabinet bottom is and mark spots (①②) for the lower brackets.



NOTE: Please hang the cabinet at least 3 inches above the faucet.

3. Use an electric drill to punch holes at the marked spots (①), then apply the 4 wall anchors with a hammer (②).



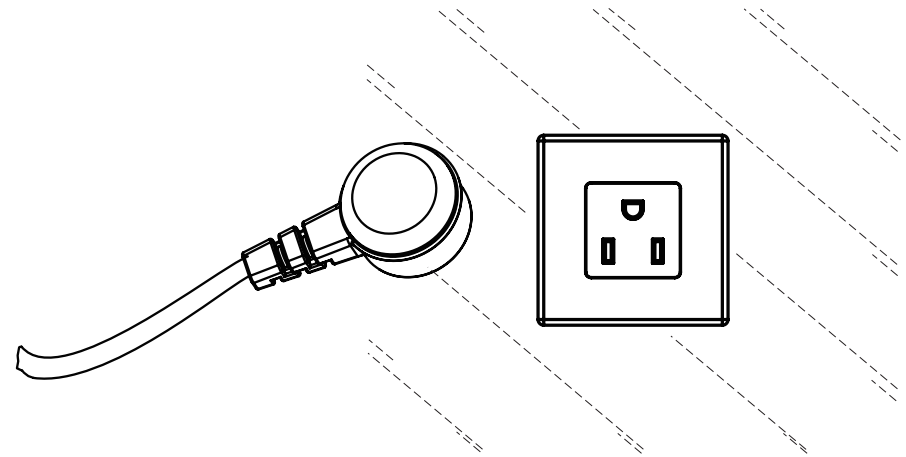
Thickness Of Wall :	Recommended Drill Bit :
> 5/8" (16mm)	1/4" (6mm) drill bit, drilling depth in 1 31/32" (50mm)
5/16" (8)-5/8" (16mm)	25/64" (10mm) drill bit
< 5/16" (8mm)	Unapplicable

NOTE: Please wear goggles and pay attention to your safety while drilling.

4. Connect the power. You can use the plug directly or connect the wire to a standard switch lighting circuit.

• **Plug-in:**

Before hanging the cabinet securely, plug the power cable to a standard socket.



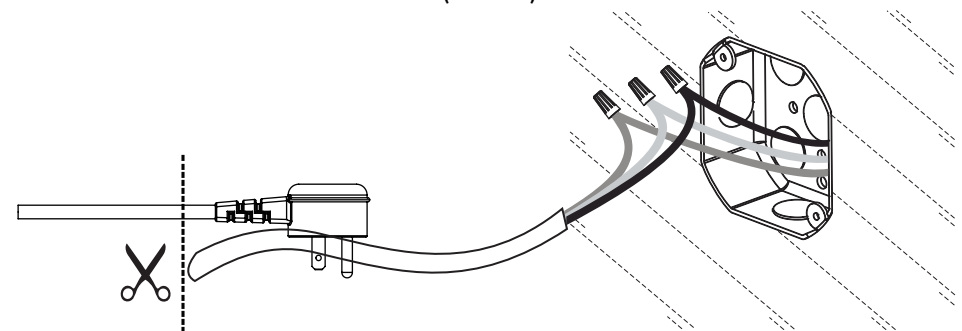
• **Hardwired:**

Cut the head off the plug and hardwire it into an outlet.

BLACK WIRE --- POWER SUPPLY L (HOT)

WHITE WIRE --- POWER SUPPLY N (NEUTRAL)

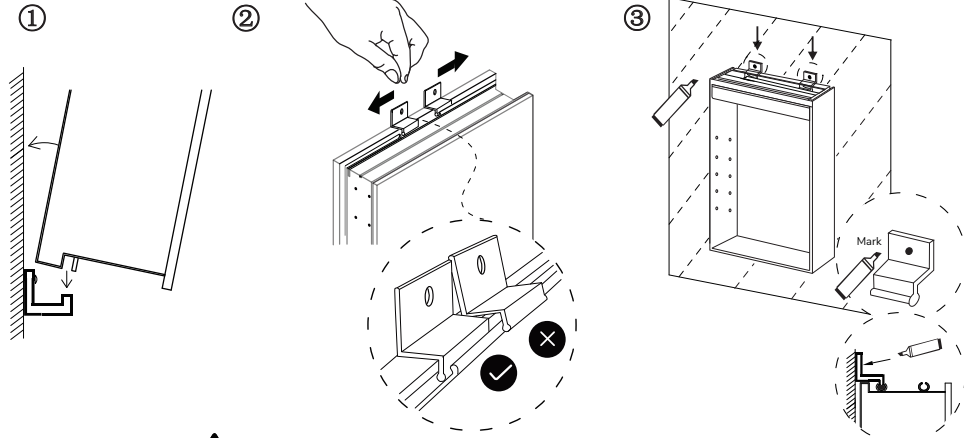
GREEN WIRE --- POWER SUPPLY E (EARTH)



**!** WARNING: This mirror must be earthed.

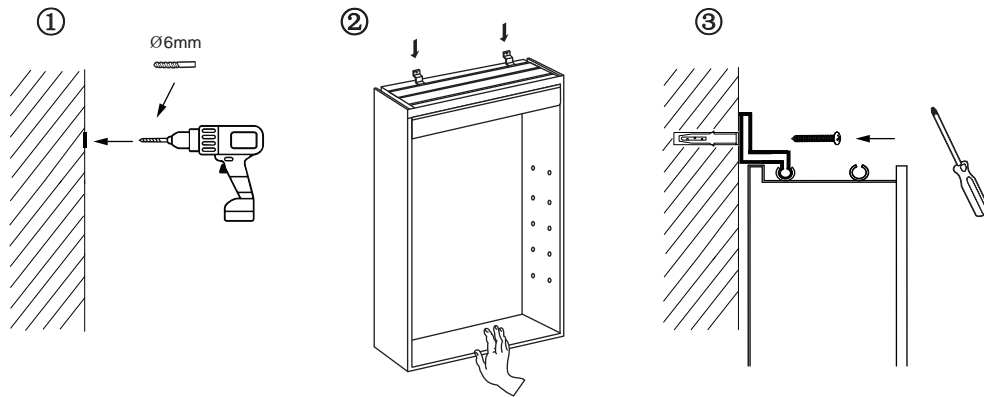
**!** Reminder: Please make sure the power is cut off before installation.

5. Place the medicine cabinet securely onto the lower bracket and hold it upright. Secure two upper brackets (big size cabinet may need more than 2 upper brackets) in the groove on top of the cabinet and mark the spots on the wall.



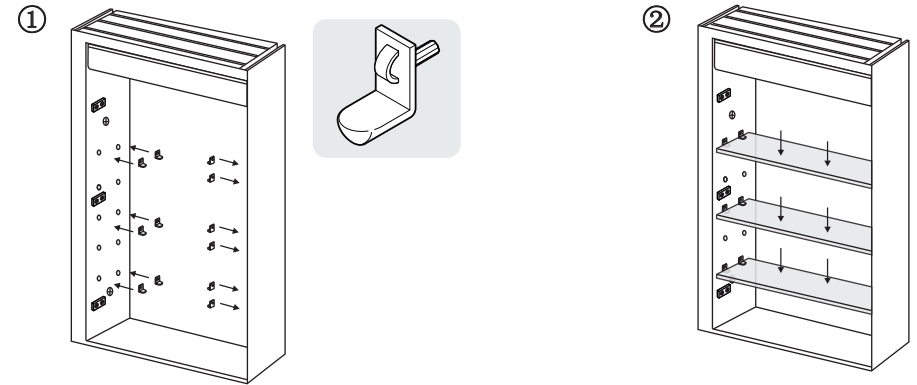
⚠ Please make sure two brackets slide into the groove

6. Use an electric drill to punch holes at the marked spots (①), secure the upper brackets in the groove, and mount them to the wall with screws (③).



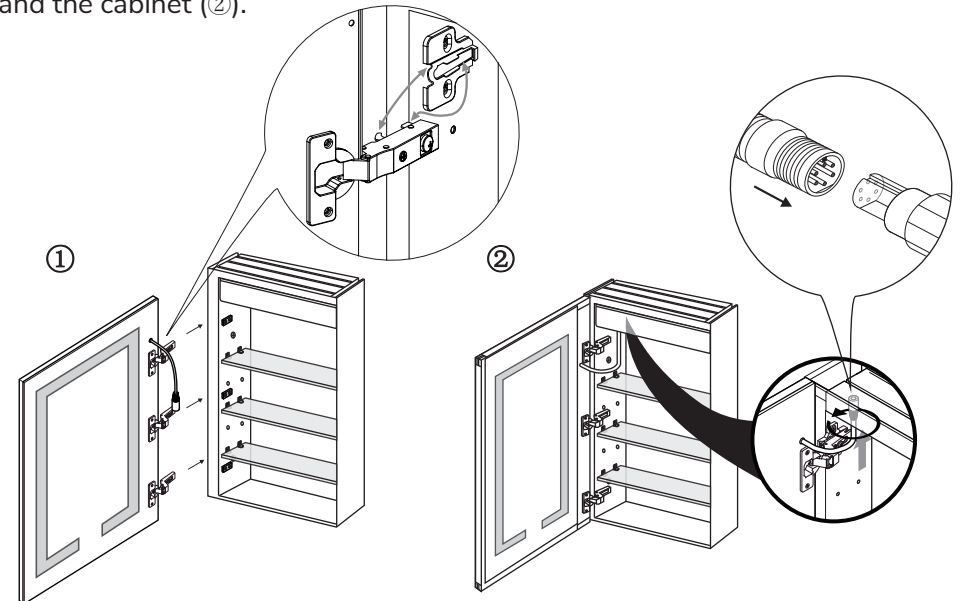
NOTE: Gently adjust the mirror to ensure that the mirror is securely installed.

7. Insert the provided shelf clips into the round holes on both sides of the cabinet. After installing the shelf clips, insert the glass shelves.



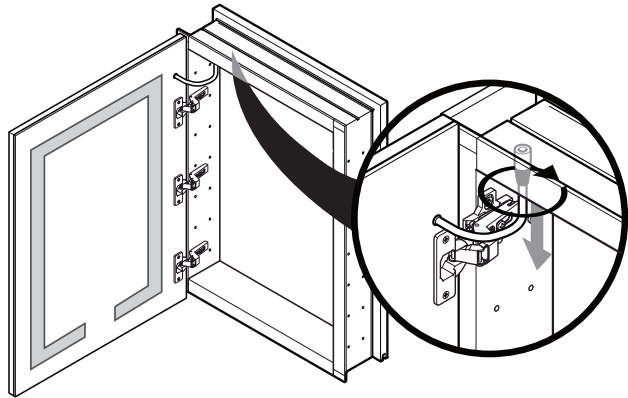
NOTE: The glass shelves can be moved to different heights as needed, since we deliberately design extra two sets of holes for installation. For the holes that you didn't use, we suggest fill them with hole covers.

8. reinstall the cabinet door (①) and release the cable that connects the door and the cabinet (②).

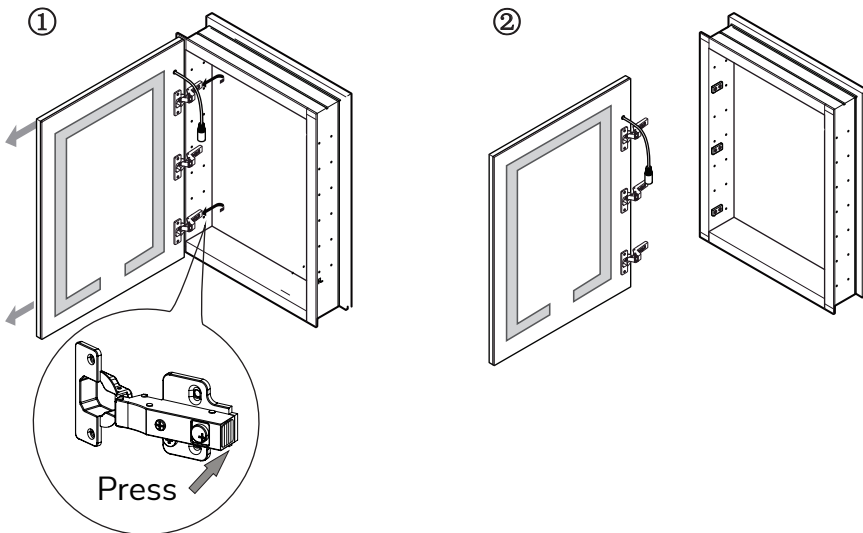


# RECESS-MOUNT INSTALLATION

1. Before installation, release the cable that connects the door and the cabinet.

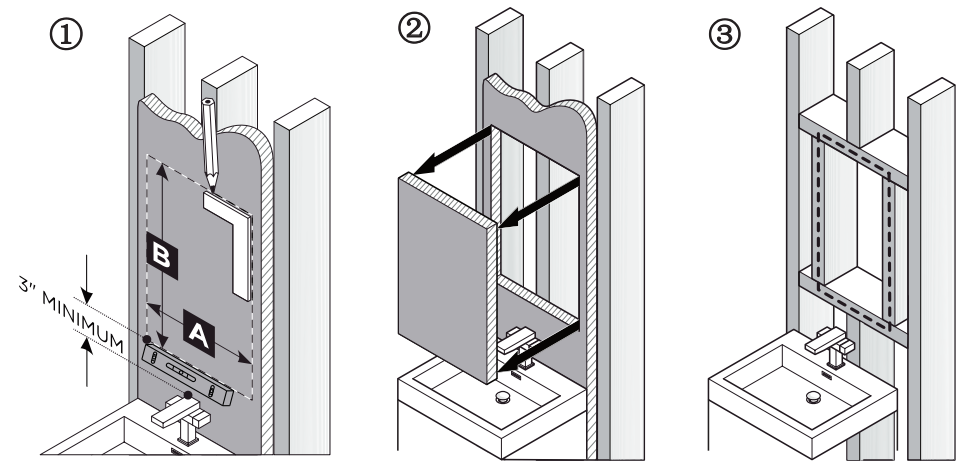


2. Press the lever under the hydraulic hinge (1), detach and slide the door off the frame (2).



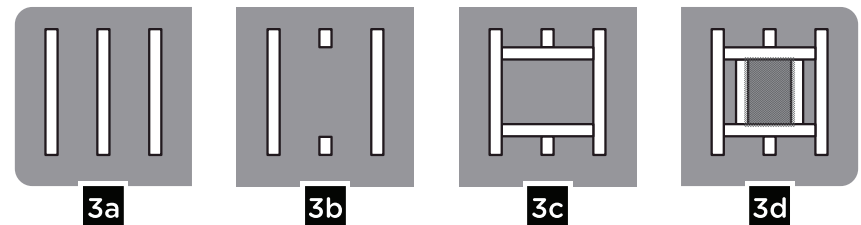
3. Make an outline for the cabinet (1), cut the marked perimeter through the drywall (2), and frame the cutout opening (3).

Outline Size	16x24 Cabinet	15 1/8" (384.4mm) x 23 1/8" (587.6mm) x 3/4" (95mm)
	20x26 Cabinet	19 1/8" (486.0mm) x 25 1/8" (638.4mm) x 3/4" (95mm)
	24x32 Cabinet	23 1/8" (587.6mm) x 31 1/8" (790.8mm) x 3/4" (95mm)
	30x26 Cabinet	29 1/8" (740.0mm) x 25 1/8" (638.4mm) x 3/4" (95mm)
	30x32 Cabinet	29 1/8" (740.0mm) x 31 1/8" (790.8mm) x 3/4" (95mm)
	36x32 Cabinet	35 1/8" (892.4mm) x 31 1/8" (790.8mm) x 3/4" (95mm)
	36x24 Cabinet	35 1/8" (892.4mm) x 23 1/8" (587.6mm) x 3/4" (95mm)
	40x32 Cabinet	39 1/8" (994.0mm) x 31 1/8" (790.8mm) x 3/4" (95mm)
	48x32 Cabinet	47 1/8" (1171.8mm) x 31 1/8" (790.8mm) x 3/4" (95mm)



- Mark the center stud;
- Saw it for cabinet to rest on;
- Add additional 2 studs on the top and at the bottom of the opening to support the cabinet;
- Two more studs on both sides for the cabinet to be secured on.

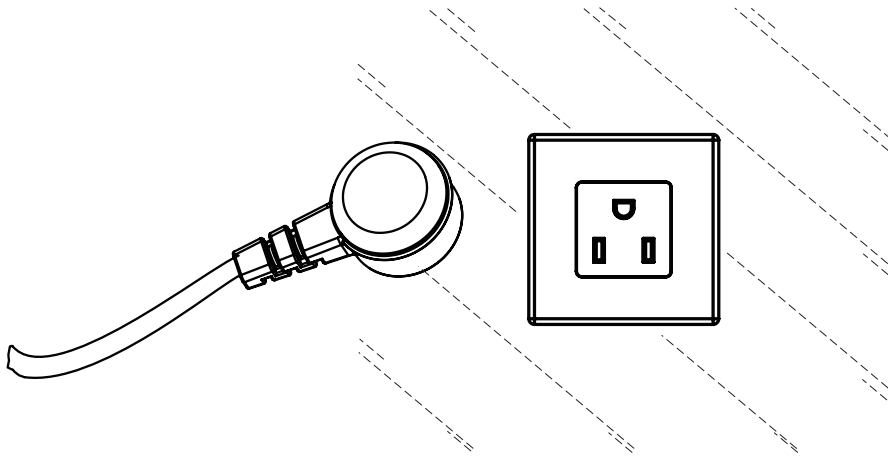
## 4 STEPS TO FRAME THE CUTOUT OPENING



4. Connect the power. You can use the plug directly or connect the wire to a standard switch lighting circuit.

- **Plug-in:**

Before hanging the cabinet securely, plug the power cable to a standard socket.



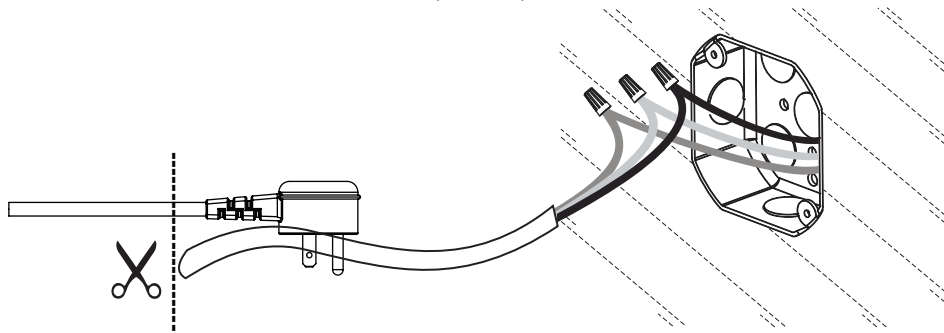
- **Hardwired:**

Cut the head off the plug and hardwire it into an outlet.

BLACK WIRE --- POWER SUPPLY L (HOT)

WHITE WIRE --- POWER SUPPLY N (NEUTRAL)

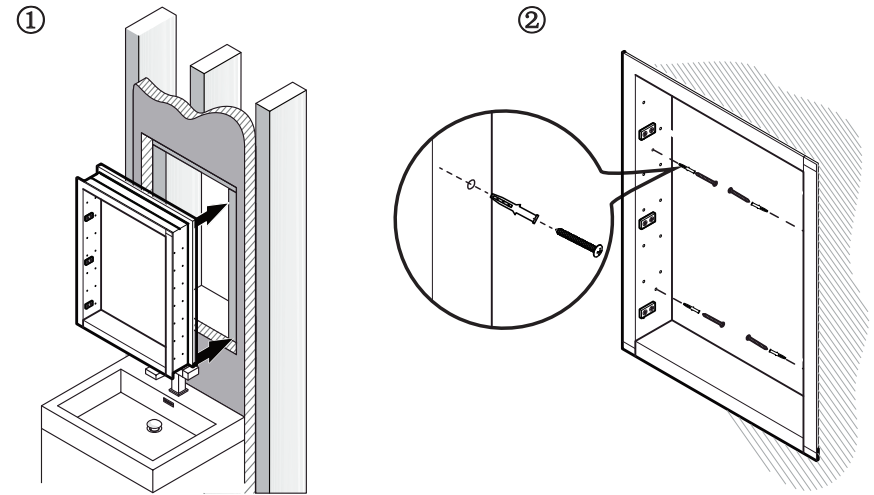
GREEN WIRE --- POWER SUPPLY E (EARTH)



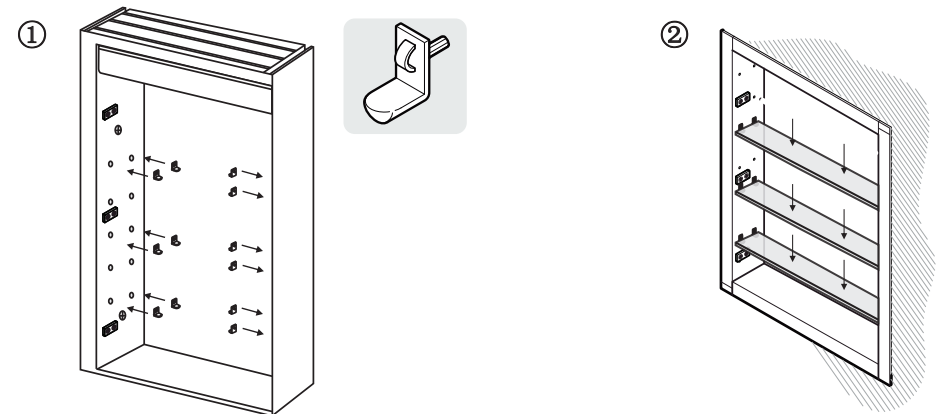
**⚠ WARNING:** This mirror must be earthed.

**⚠ Reminder:** Please make sure the power is cut off before installation.

5. Place the cabinet in the cutout opening (①), secure the cabinet to the framing studs with screws (②).

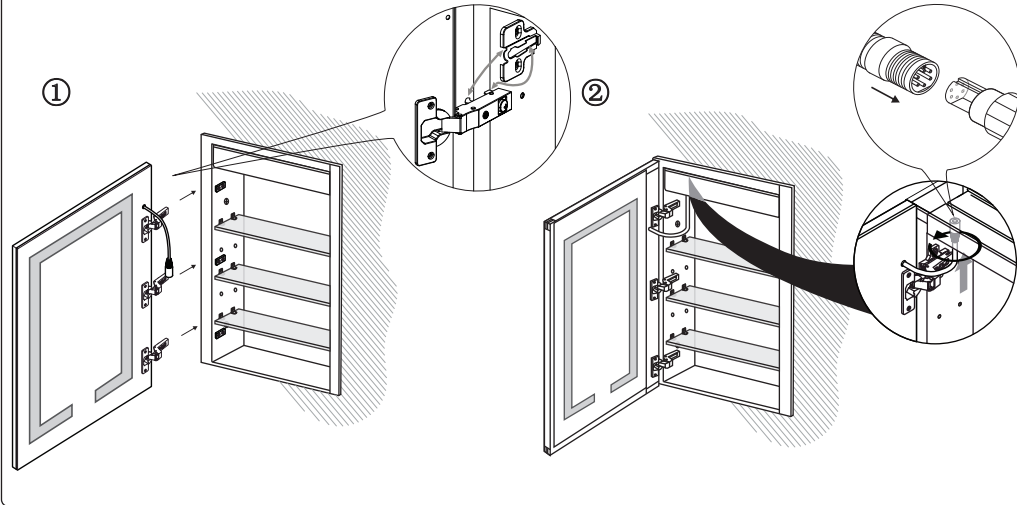


6. Insert the provided shelf clips into the holes on both sides of the cabinet (①), and install the glass shelves afterwards (②).



**NOTE:** The glass shelves can be moved to different heights as needed, since we deliberately design extra two sets of holes for installation. For the holes that you didn't use, we suggest fill them with hole covers.

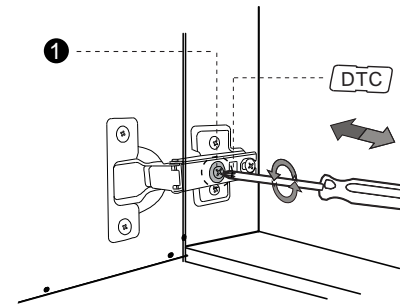
7. Reinstall the cabinet door (①), push the circular connector back into the socket on the top of cabinet and tighten it securely (②).



## SPECIFICATIONS

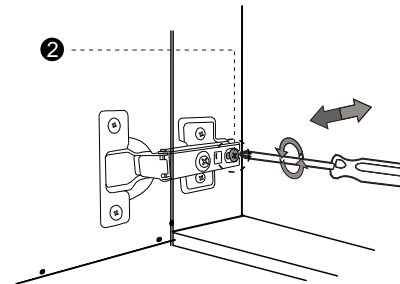
PARAMETER	SPECIFICATION
Color Temperature	3000K-6500K
Input Voltage	AC100-120V
Output Voltage	24V DC
CRI	≥ 80 Ra
Working Temperature	-10~45 C
Life Span	25000 hours
Anti-fog	Yes
IP Rate	IP44
Wiring Method	Hardwired
Switch	Touch Sensor Switch

## HOW TO ADJUST HYDRAULIC HINGES

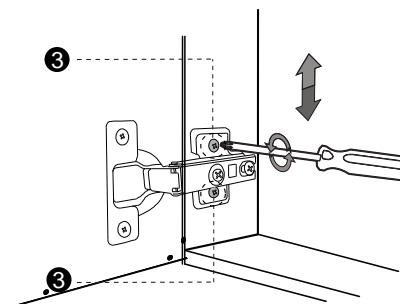


### Open the "DTC" cover

Turn screw ① to adjust the depth of door overlay.



Turn front screw ② to adjust the gap between the door and cabinet.



Turn the eccentric screw ③ to release the mounting plate from the cabinet, allowing the door to be moved up and down.