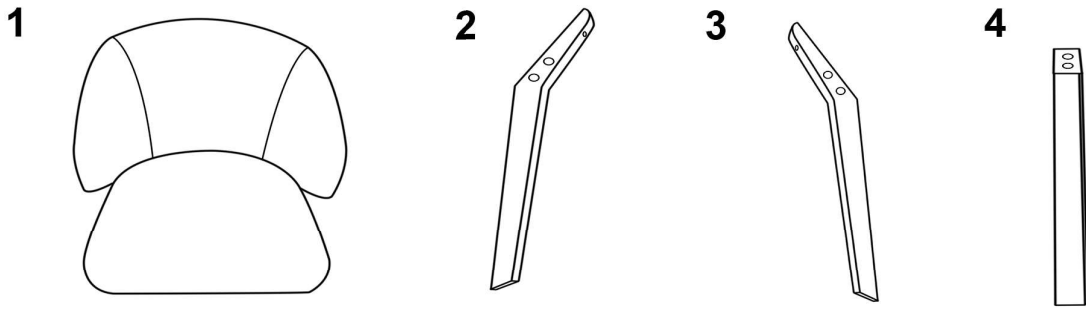


# ASSEMBLY INSTRUCTIONS

## PARTS LIST

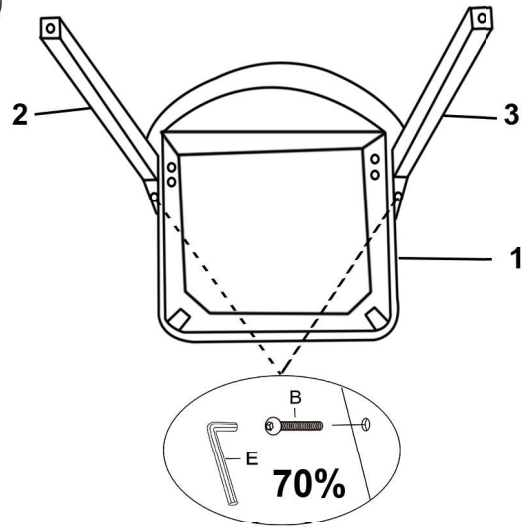


Part	Description	Qty
1	Seat Frame	1
2	Rear Leg (left)	1
3	Rear Leg (right)	1
4	Front Leg	2

## HARDWARE LIST

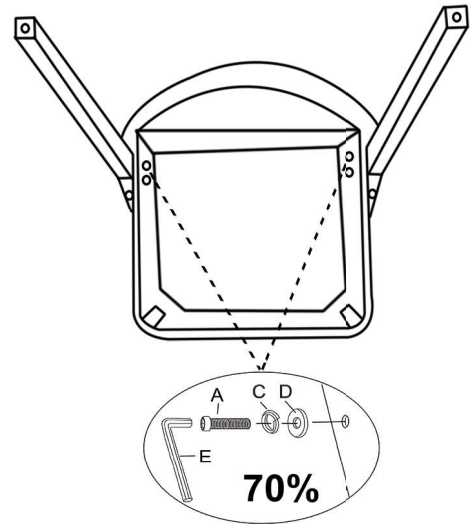
Part	Diagram	Description	Qty
A		Bolts M8x45MM	8
B		Bolts M6x45MM	2
C		Spring Washer	8
D		Flat Washer	8
E		Allen Key	1
F		Plastic cap(optional)	2

1



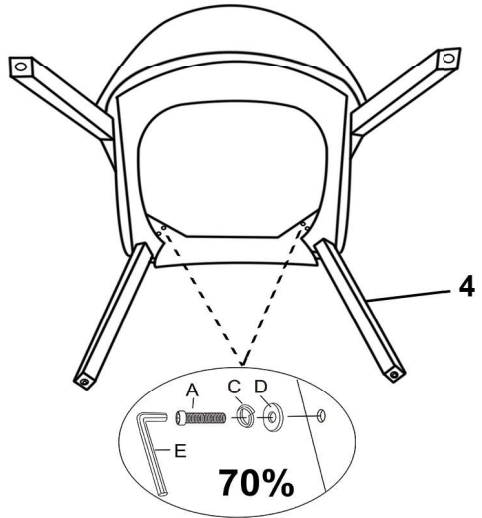
Put the screws in the holes,tight the screws, but not too tight,70% is ok.

2



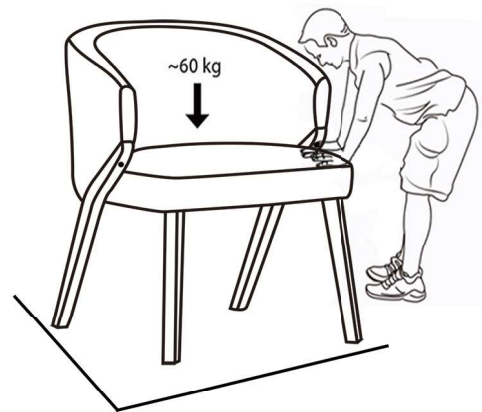
Put the screws in the holes,tight the screws, but not too tight,70% is ok.

3



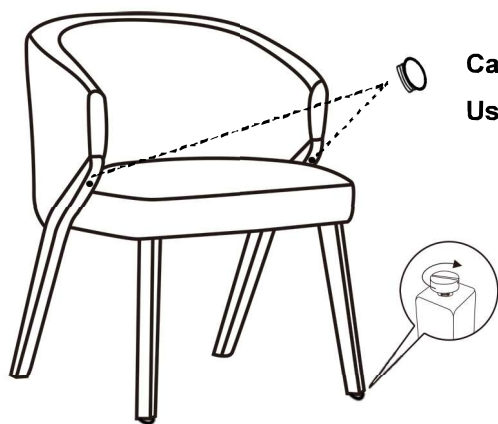
Put the screws in the holes,tight the screws, but not too tight,70% is ok.

4



Ensure the chair is placed on a level surface. Put a load of approx. 60KG on to the seat. Adjust until all 4 legs are level – before you carefully tighten the screws.

5



Cap installation is optional. Use a hammer to tap it into place if desired.