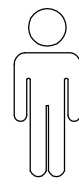
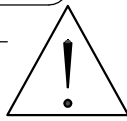
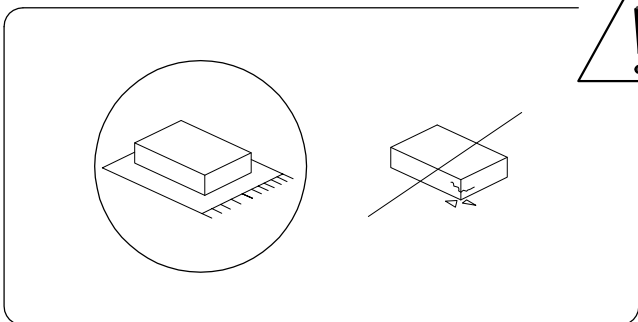
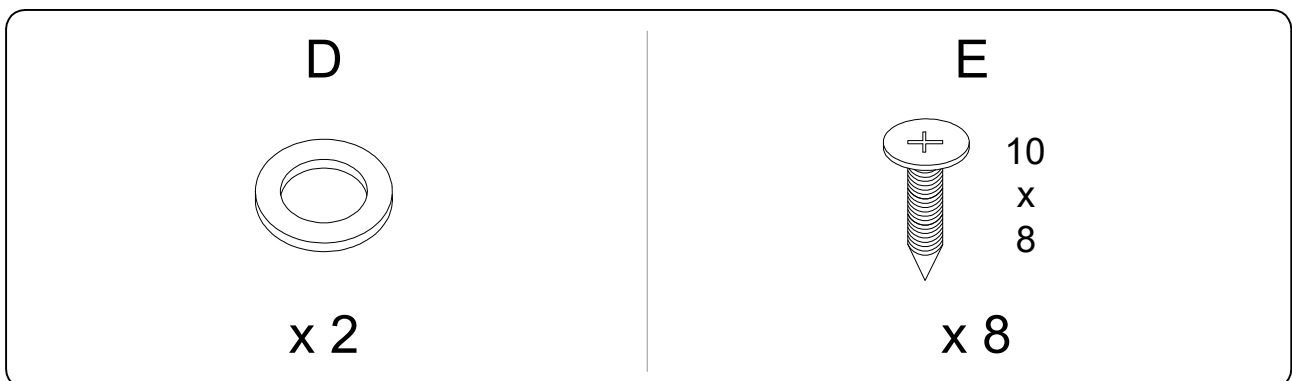
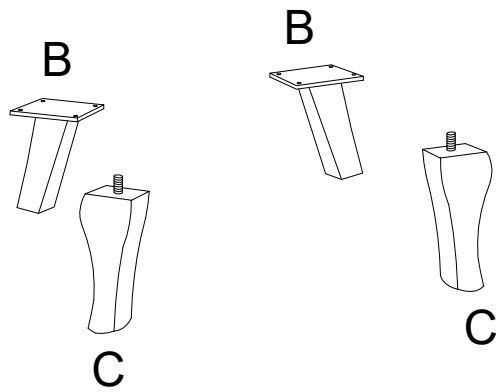
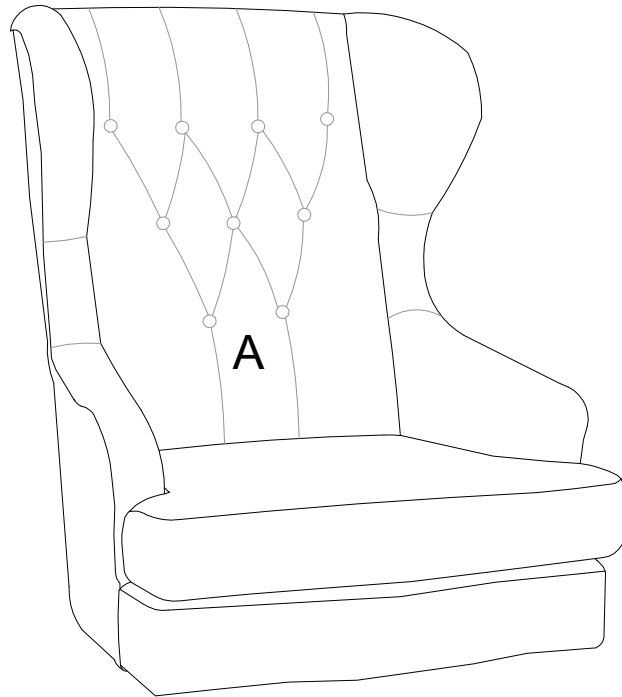
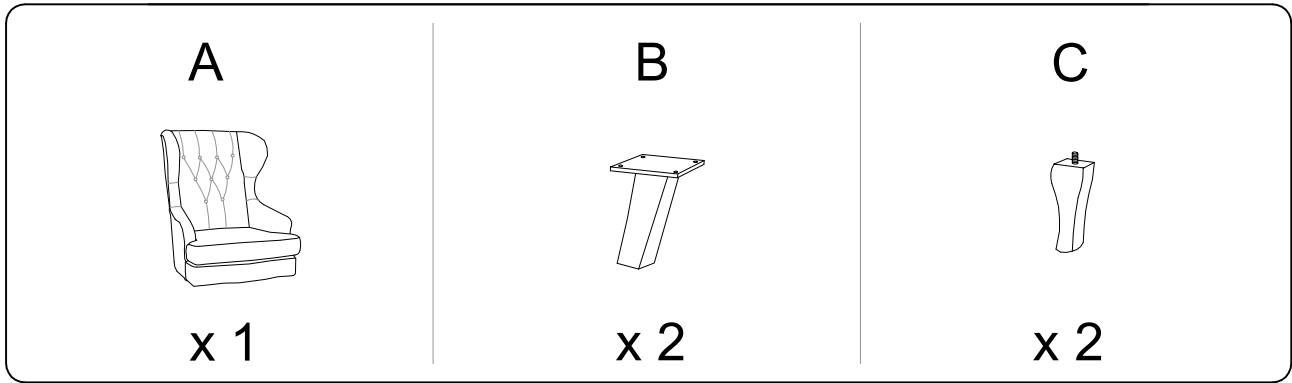


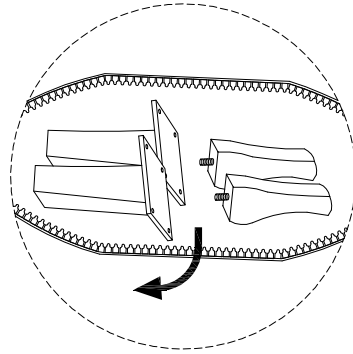
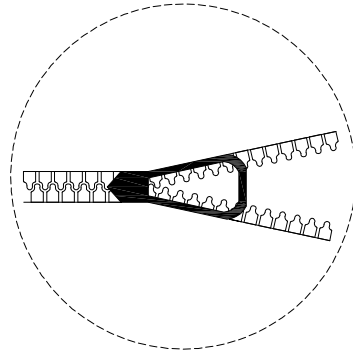
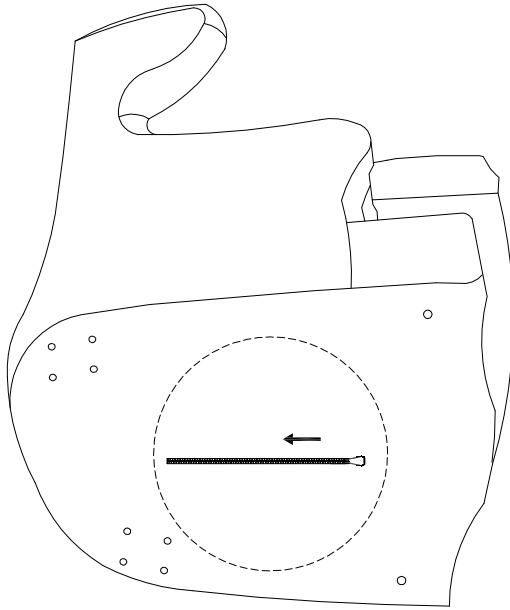
10'



1



!



1

A



x 1

C

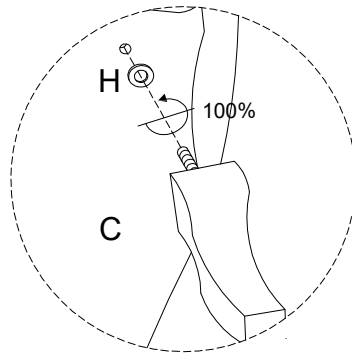
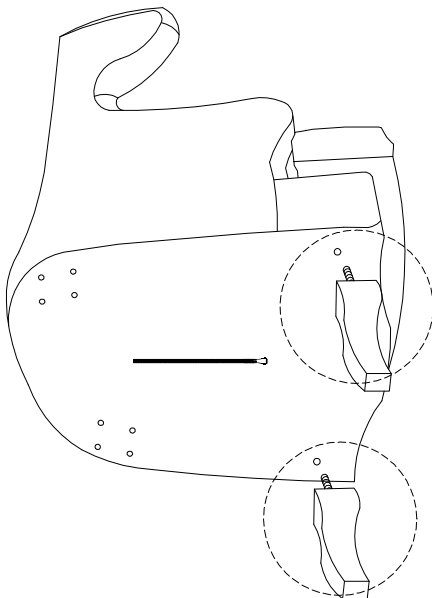


x 2

H



x 2



2

A



x 1

B



x 2

E



10  
x  
8

x 8

