

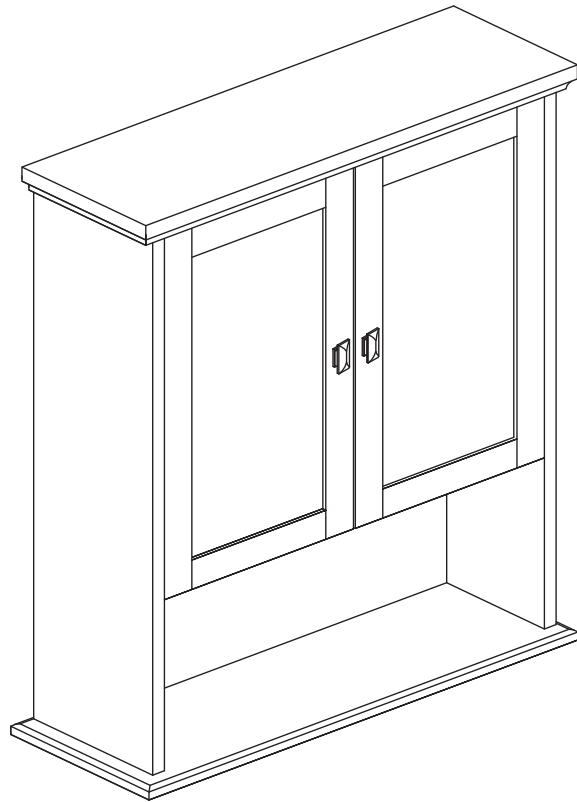
OVER THE TOILET STORAGE SHELF

CONTACT US:

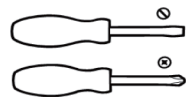
If you have any questions about the installation, please just feel free to contact us

Alternative method to contact us (Amazon.com orders only)

1. Log into your Amazon account
2. Go to "Your Orders" and find the purchase
3. Click on "Contact Seller"



Tools Needed (not included) Flat & Phillips Screwdriver.



1

Notice:

1. Follow the installation instruction. Please confirm all accessories are presented before installation.
2. Do not fully tighten the screws during initial assembly. Fully tighten screws only once all pieces which are correctly assembled
3. If you encounter any problems during installation, please contact our customer service.

Item no.	Reference Image	Qty.
①		x1
②		x1
③		x1
④		x1
⑤		x1
⑥		x1

Item no.	Reference Image	Qty.
⑦		x1
⑧		x1
⑨		x1
⑩		x2
⑪		x1

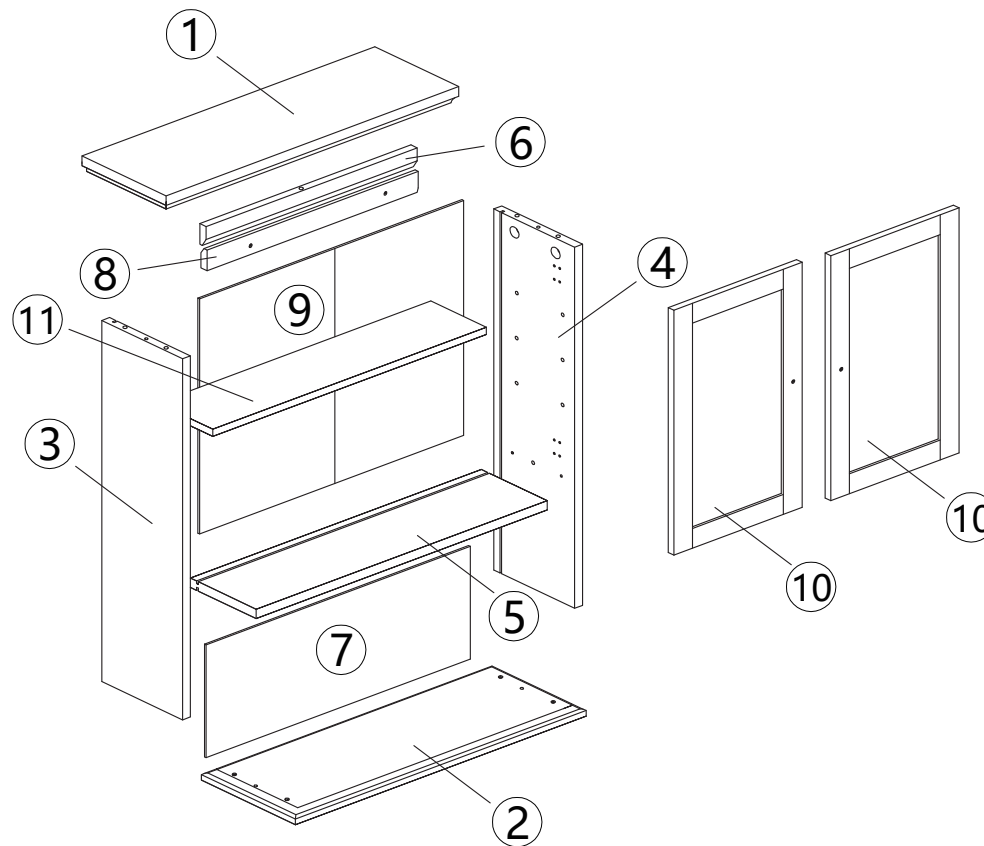
2

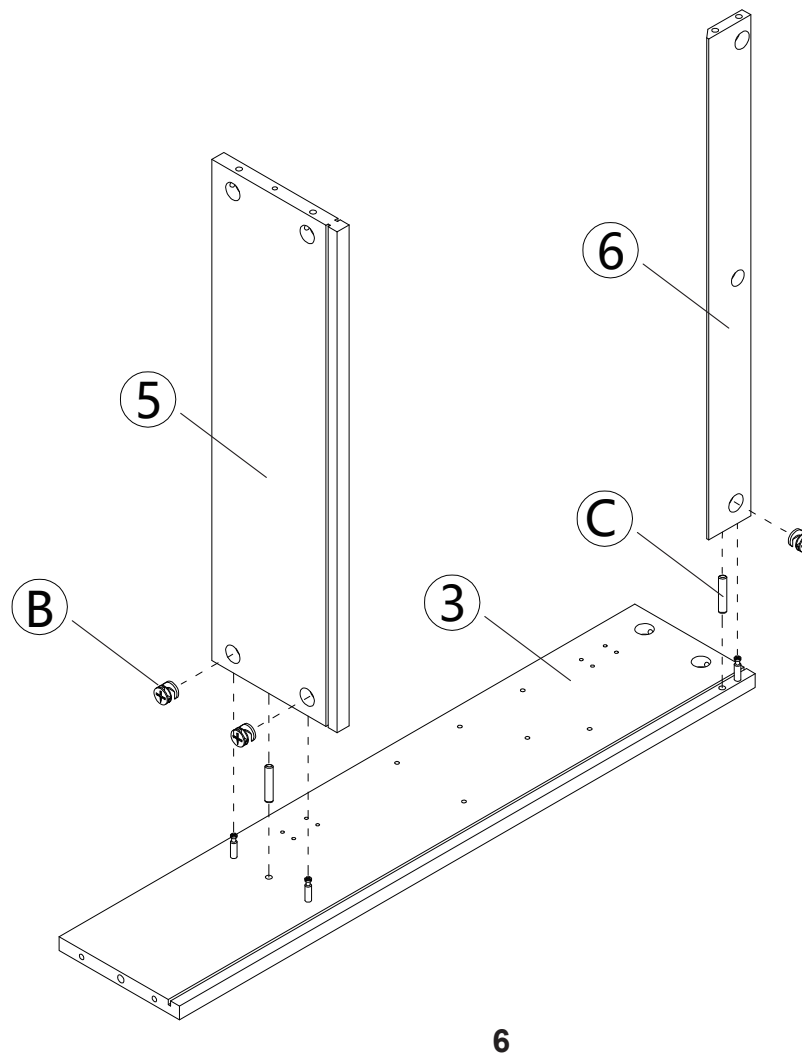
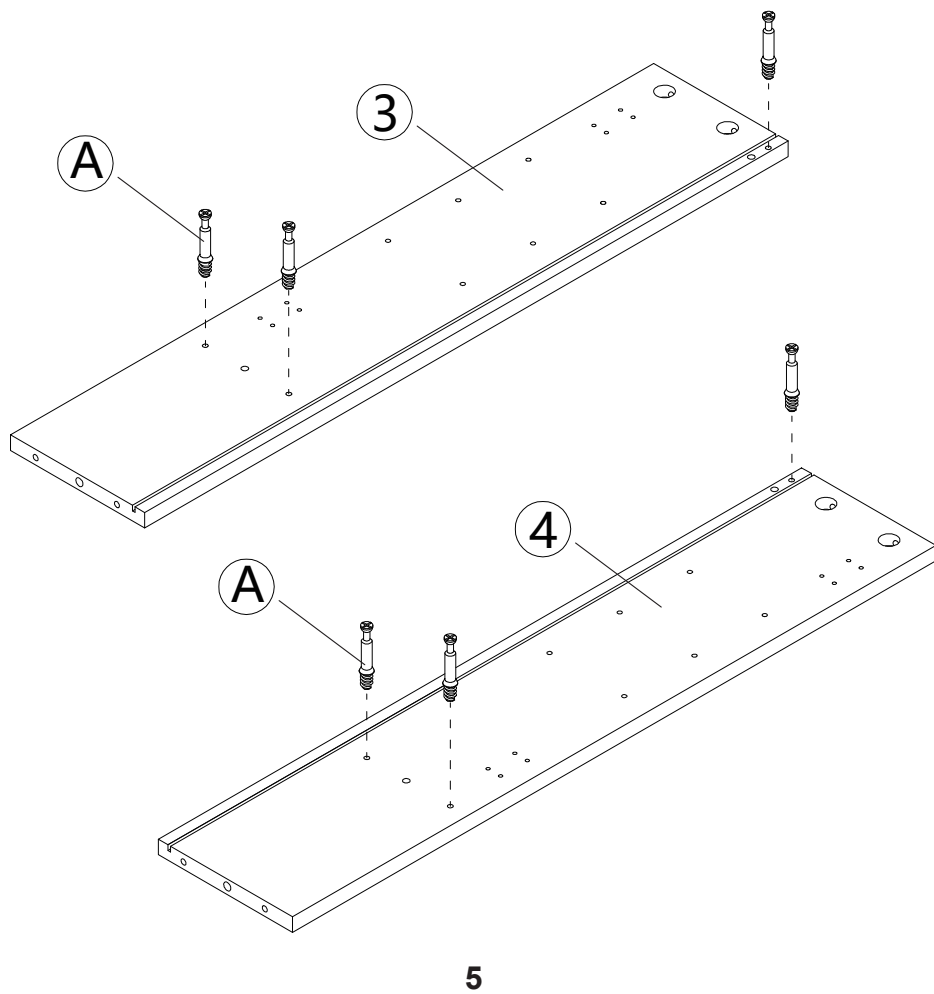
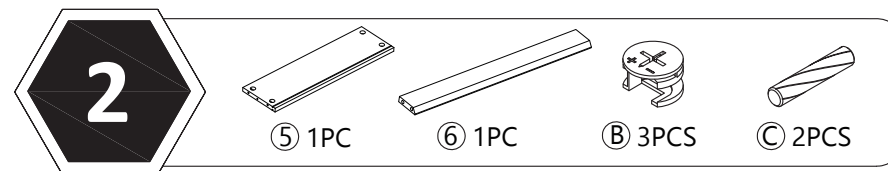
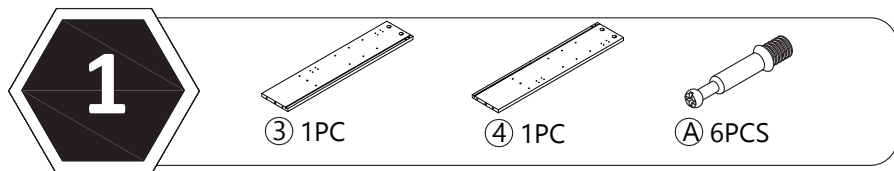


Item no.	Reference Image	Qty.
A		x11
B		x11
C		x8
D		x4
E		x2
F		x4
G		x24
H		x1
I		x2

Item no.	Reference Image	Qty.
J		x4
K		x2
L		x2
M		x1

Explosion Diagram







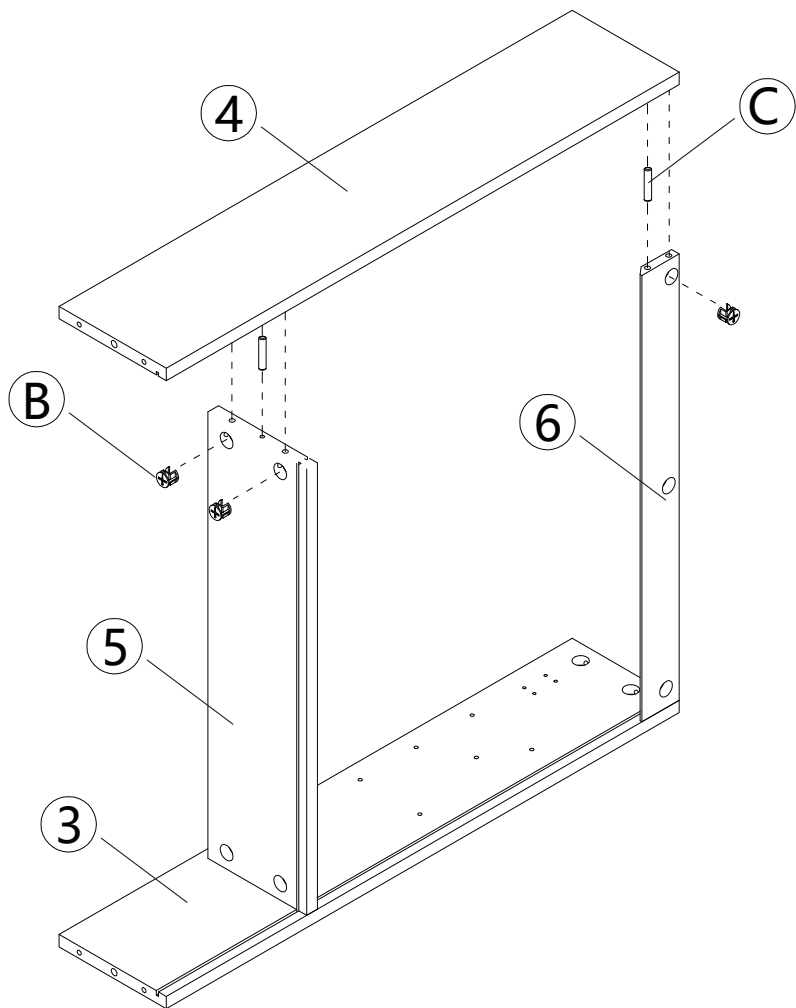
3



B 3PCS

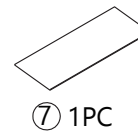


C 2PCS

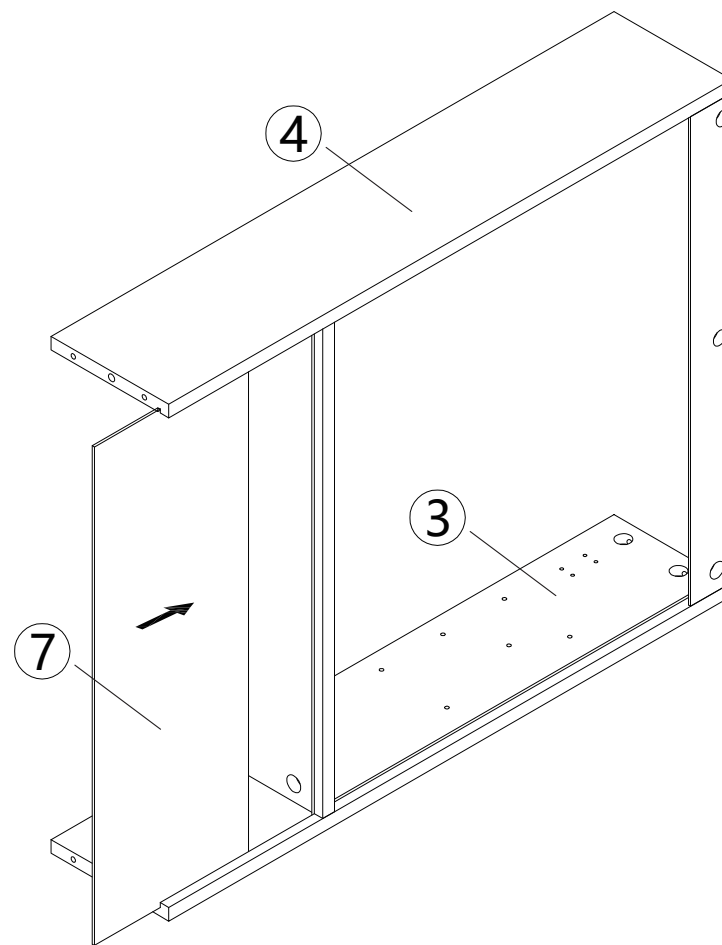


7

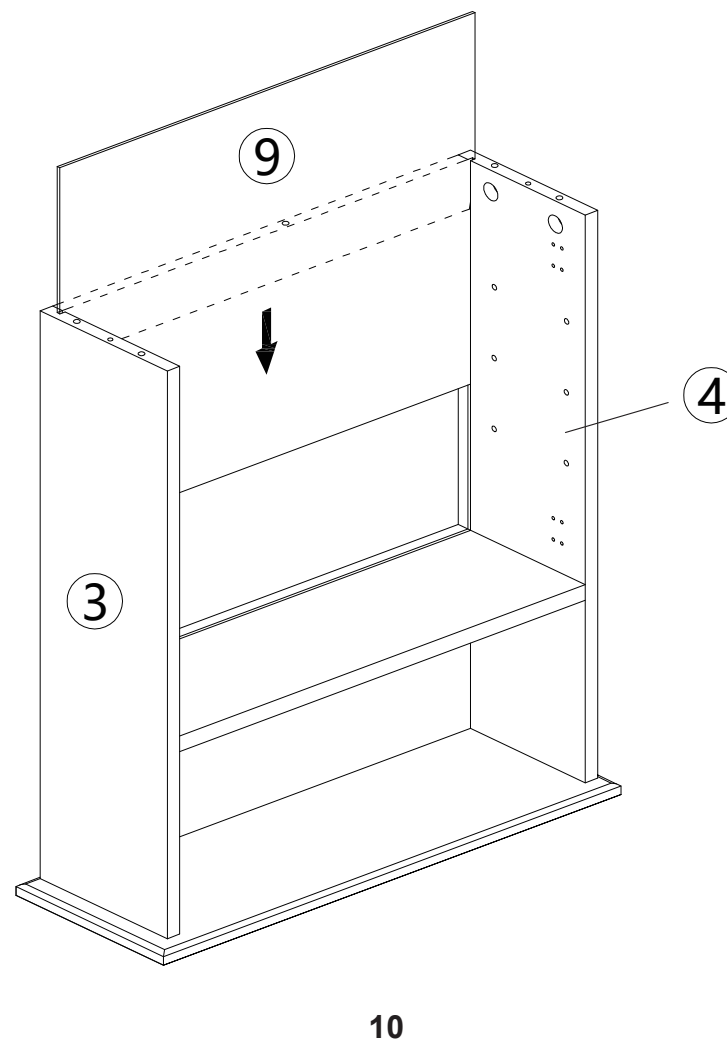
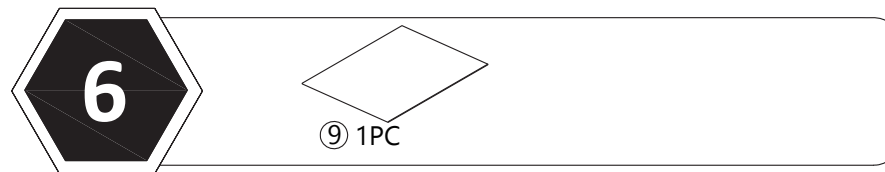
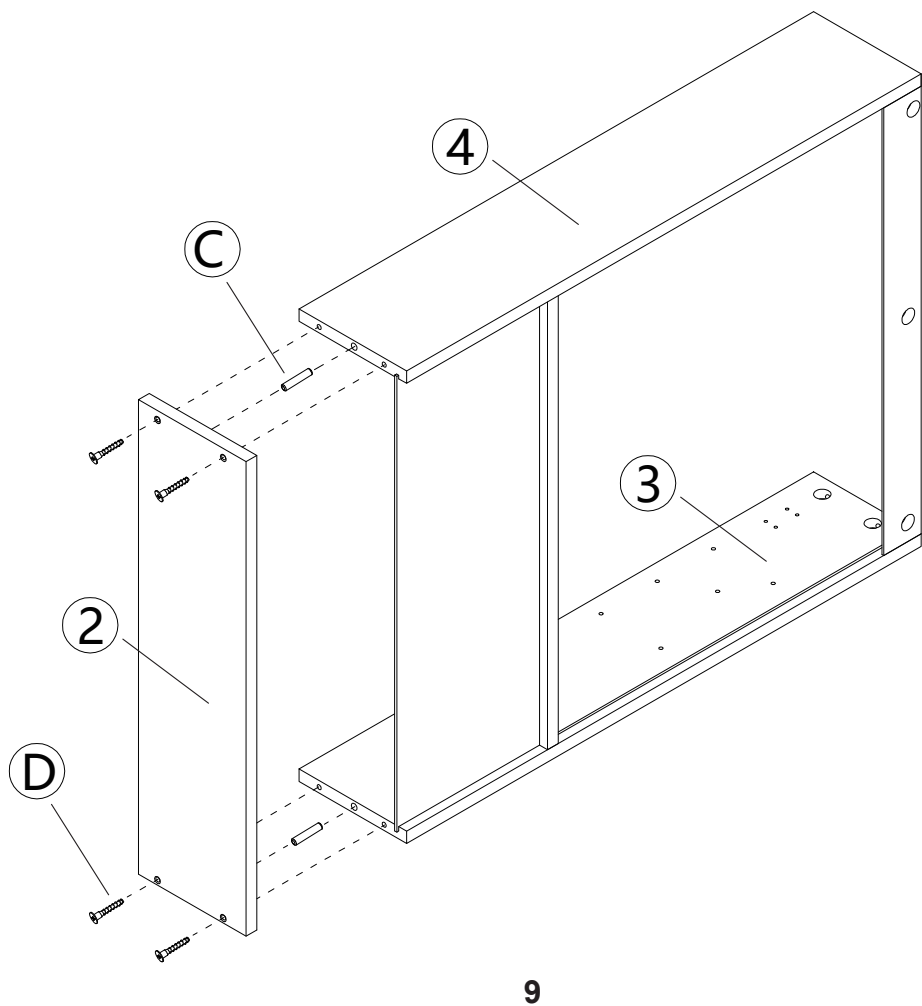
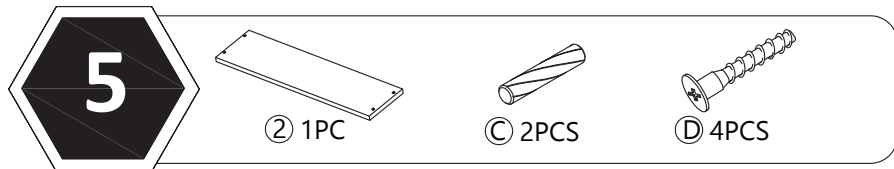
4



7 1PC

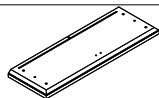


8





7



① 1PC



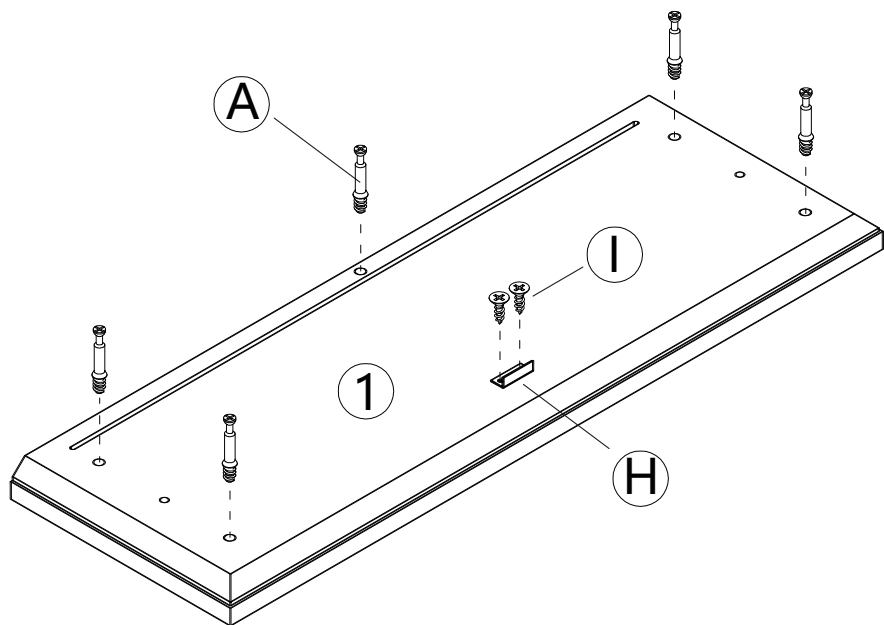
Ⓐ 5PCS



Ⓗ 1PC



Ⓘ 2PCS



11

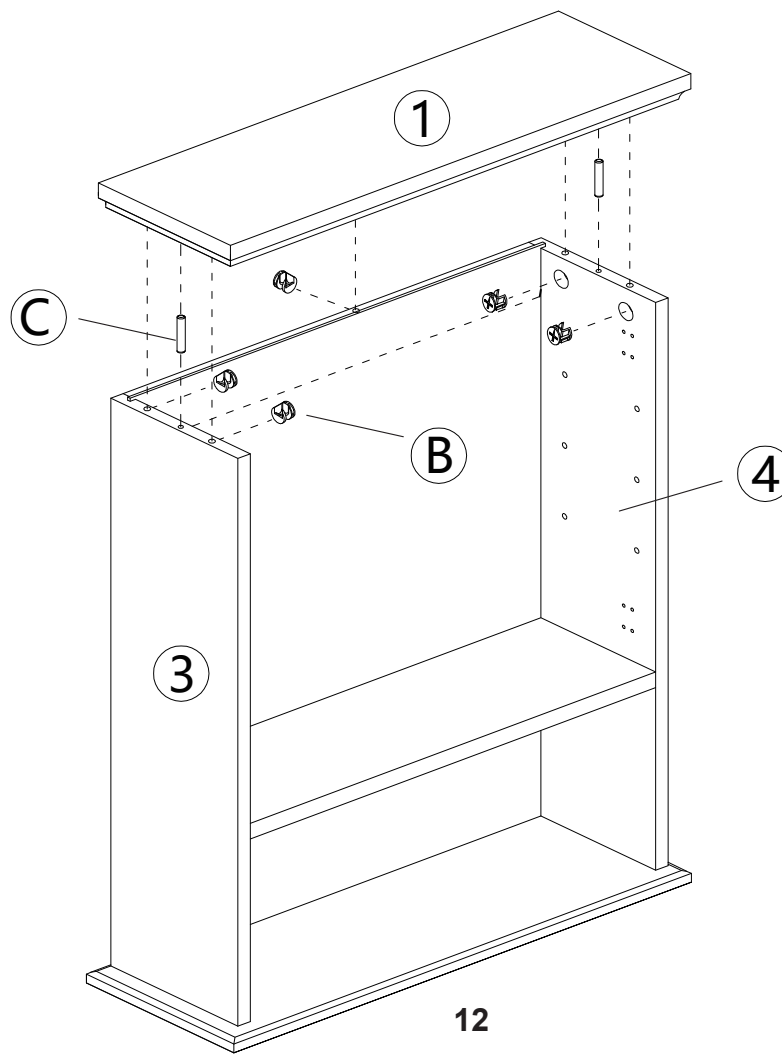
8



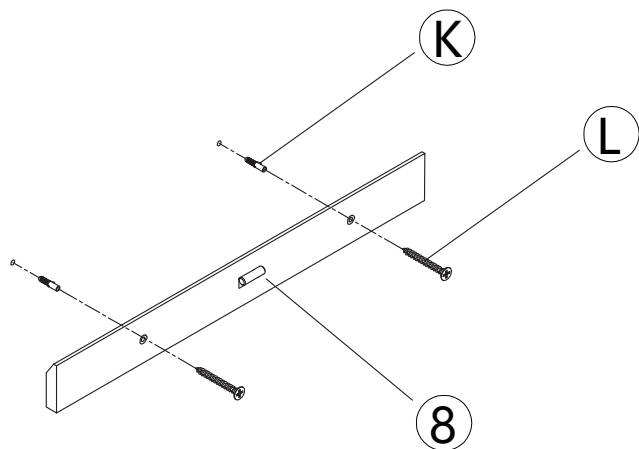
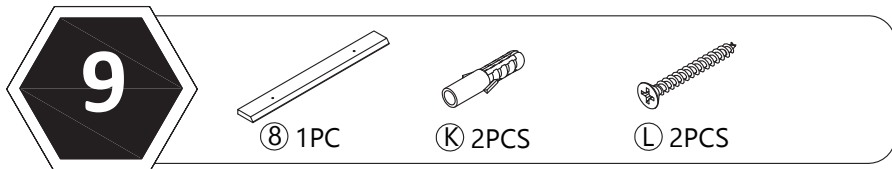
Ⓑ 5PCS



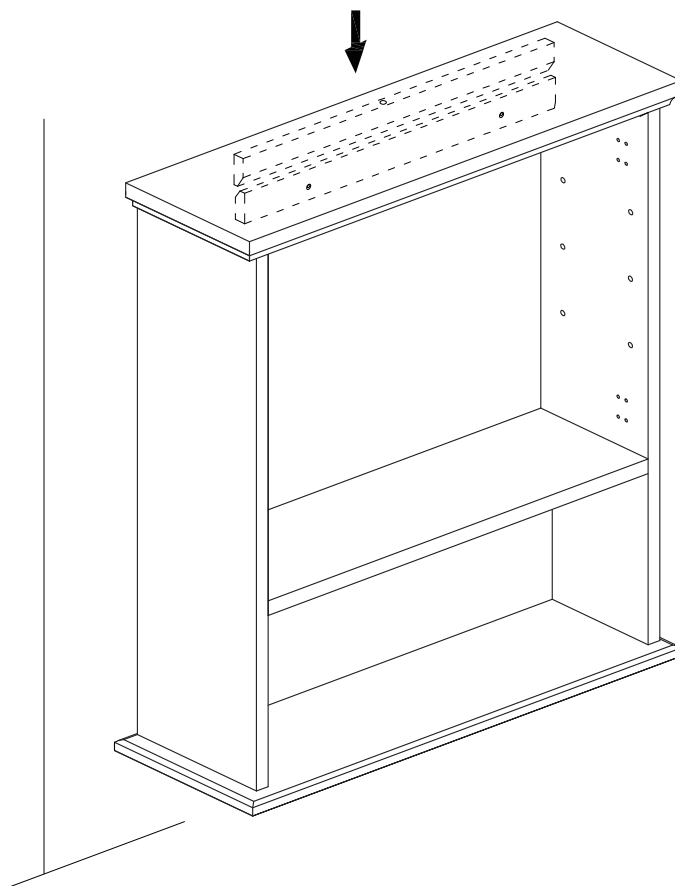
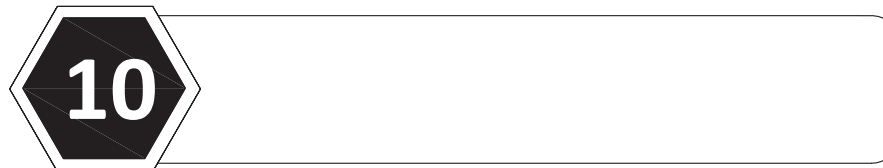
Ⓒ 2PCS



12

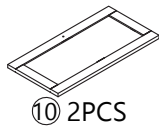


- Level the cleat in the desired location
- Use the provided screws and wall anchors to fasten the cleat to the wall





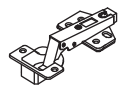
11



10 2PCS



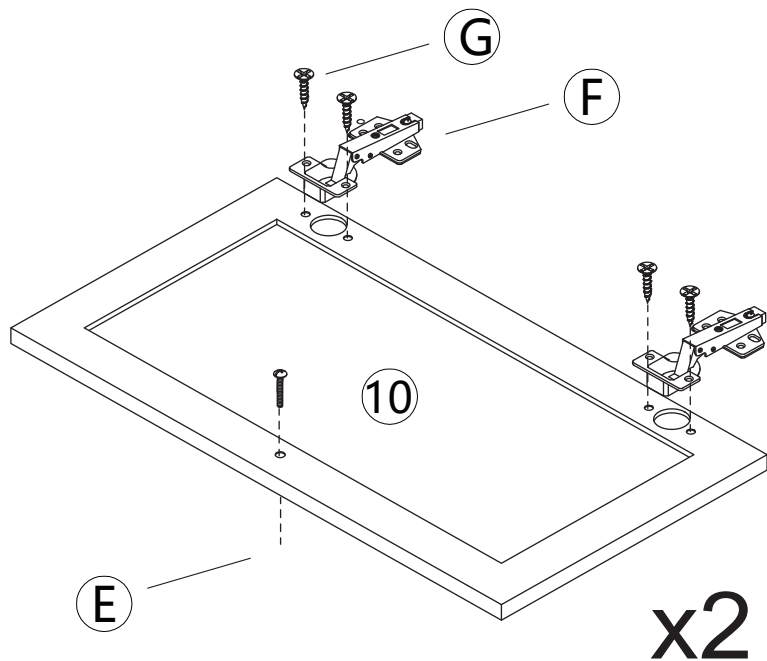
G 8PCS



F 4PCS



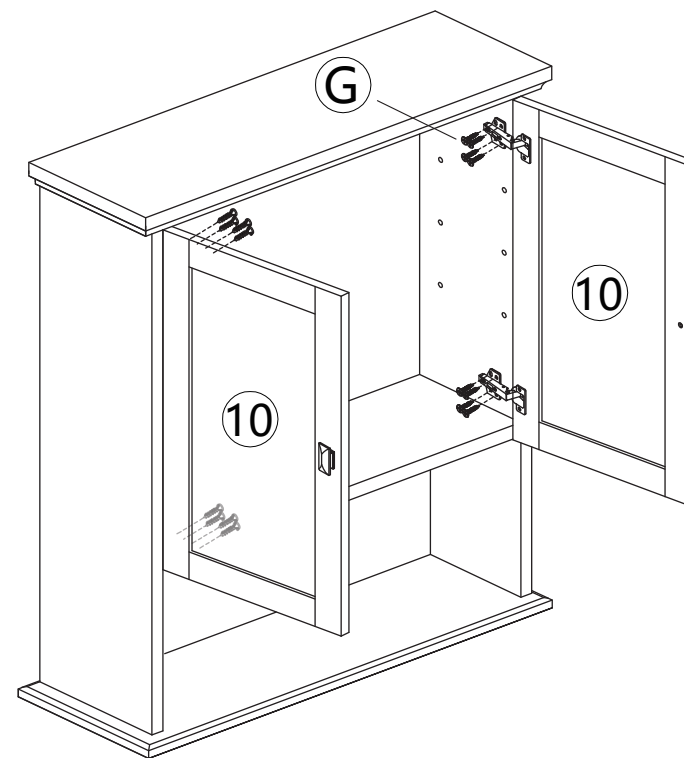
E 2PCS



12

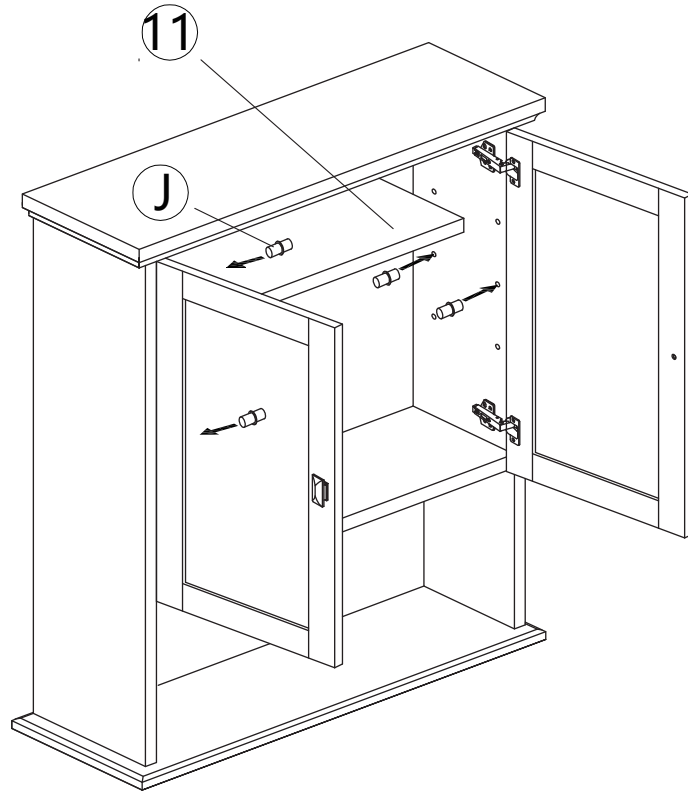
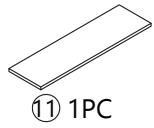


G 16PCS





13



OPTIONAL DOOR ADJUSTMENT

The cabinet doors have a three-way adjustment feature. Height, side-to-side, level & depth can be adjusted. With the hinge slightly closed you can access the middle screw for up/down adjustment. With the hinge fully extended you can access the front and back screws. These screws will move the door side to side and in & out.

