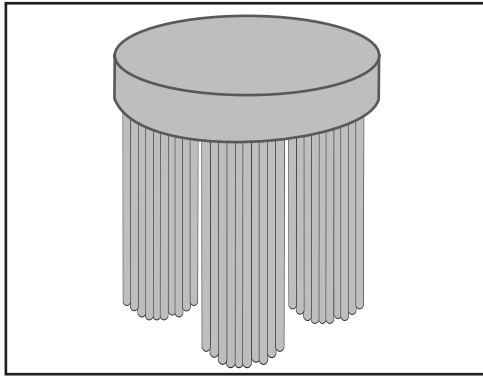


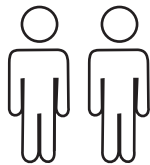
ASSEMBLY INSTRUCTIONS



+ Do Not Use Power Tools



+ Suggested Adults



NOTE:

- 1 Read instructions cover to cover.
- 2 Save all packaging unit assembly is completed.

1 **IMPORTANT SAFETY INFORMATION**

Do not assemble the product if the following part arrives damaged:

Part # 1 Table Top, part # 2 Table Legs

CAUTION : DO NOT place hot objects (100° F or more) directly on the Surface.

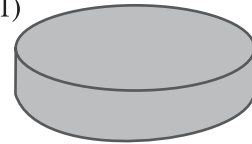
2 **IMPORTANT ASSEMBLY INFORMATION**

Assembly Step : Turn Part # 2 Clockwise to connect to part #1.

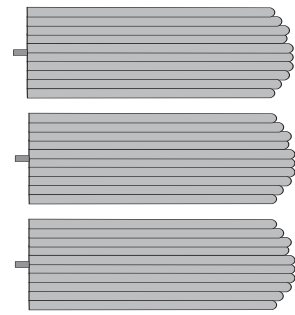
Assembly Step : Repeat Same Step to assemble remaining part #2.

+ Parts Included

- ① TOP
(No. of pc 1)



- ② Legs
(No. of pcs 3)



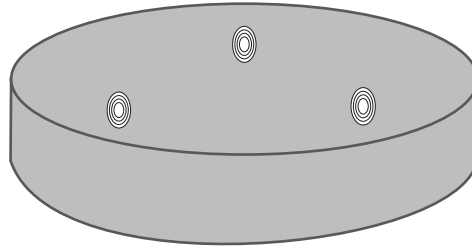
+ Hardware Included

No Hardware Required for Assembly.

ASSEMBLY INSTRUCTIONS

1

Part#1 Table TOP



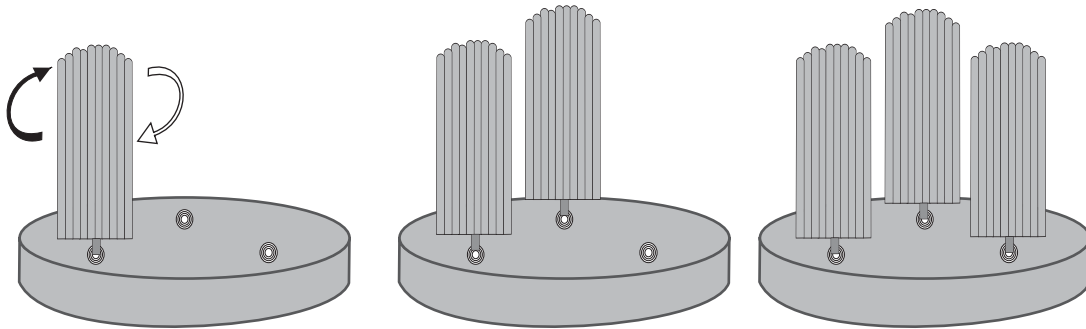
2

Part#2 Table Legs



3

Tighten Leg Part#2 turning Clockwise



4

