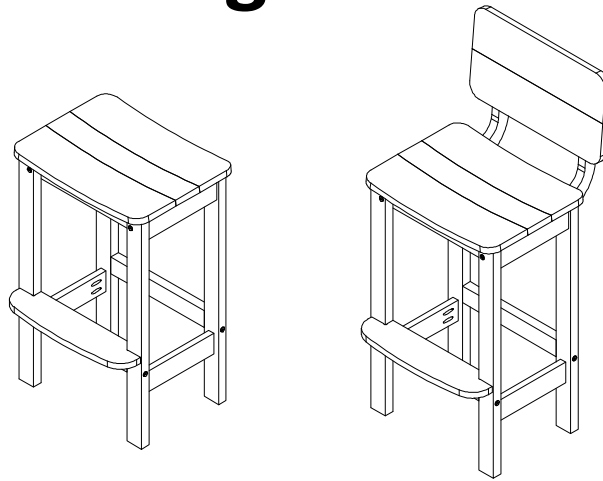


Shoreline Bar-Height Stool

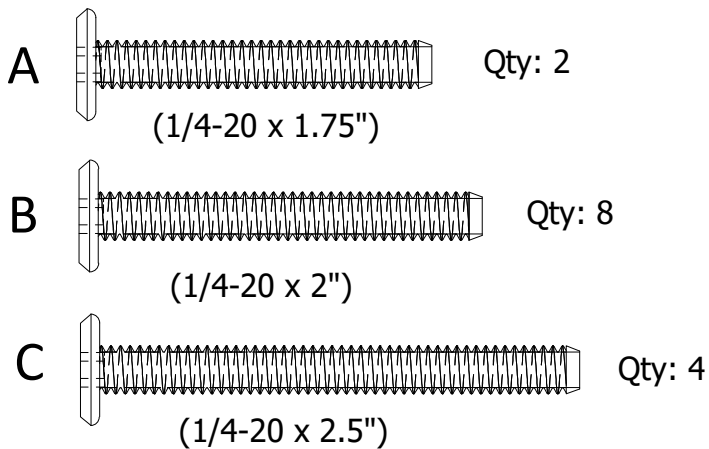
Assembly Guide



STLBH01
STLBH02

*Actual Style May Vary from
the One Pictured in this Guide

HARDWARE INCLUDED



TOOLS INCLUDED



5/32" HEX KEY

CUSTOMER SUPPLIED TOOLS

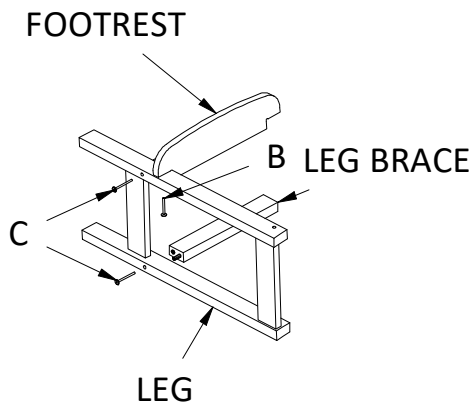
Cordless screwdriver/drill OR
multi-bit handle for the square bit

IMPORTANT!

DO NOT fully tighten bolts until all bolts are started.

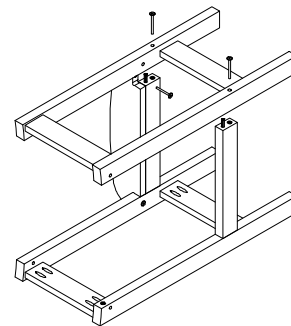
STEP 1

Lay the Leg on its side as shown & attach the Footrest and Leg Brace with (2) C bolts & (1) B bolt.

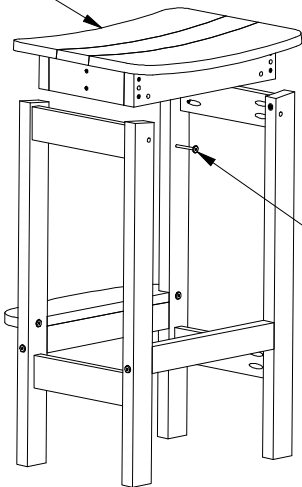


STEP 2

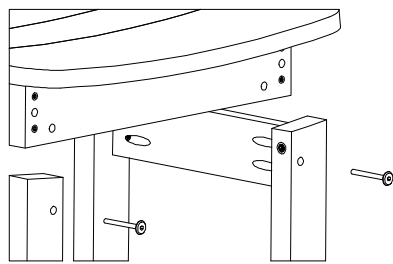
Repeat Step 1 on the other side as shown.



SEAT



B



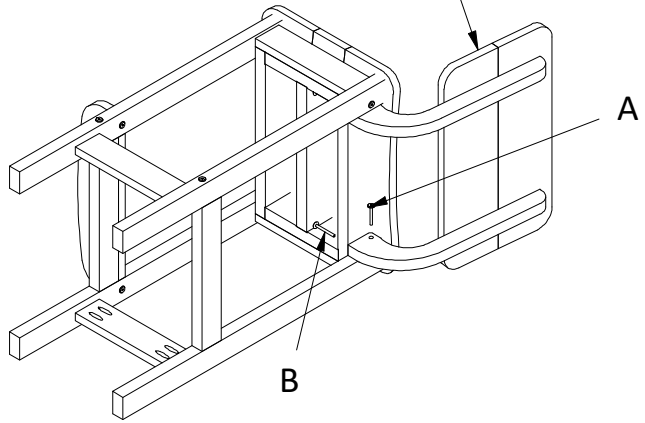
STEP 3

Stand the Leg Assembly as shown & attach the Seat using (2) B Bolts.

STEP 4

Repeat STEP 3 on the other side.

BACK



A

B

STEP 7

Attach the Back using (1) A bolt & (1) B Bolt as shown.

STEP 8

Repeat STEP 7 on the other side.