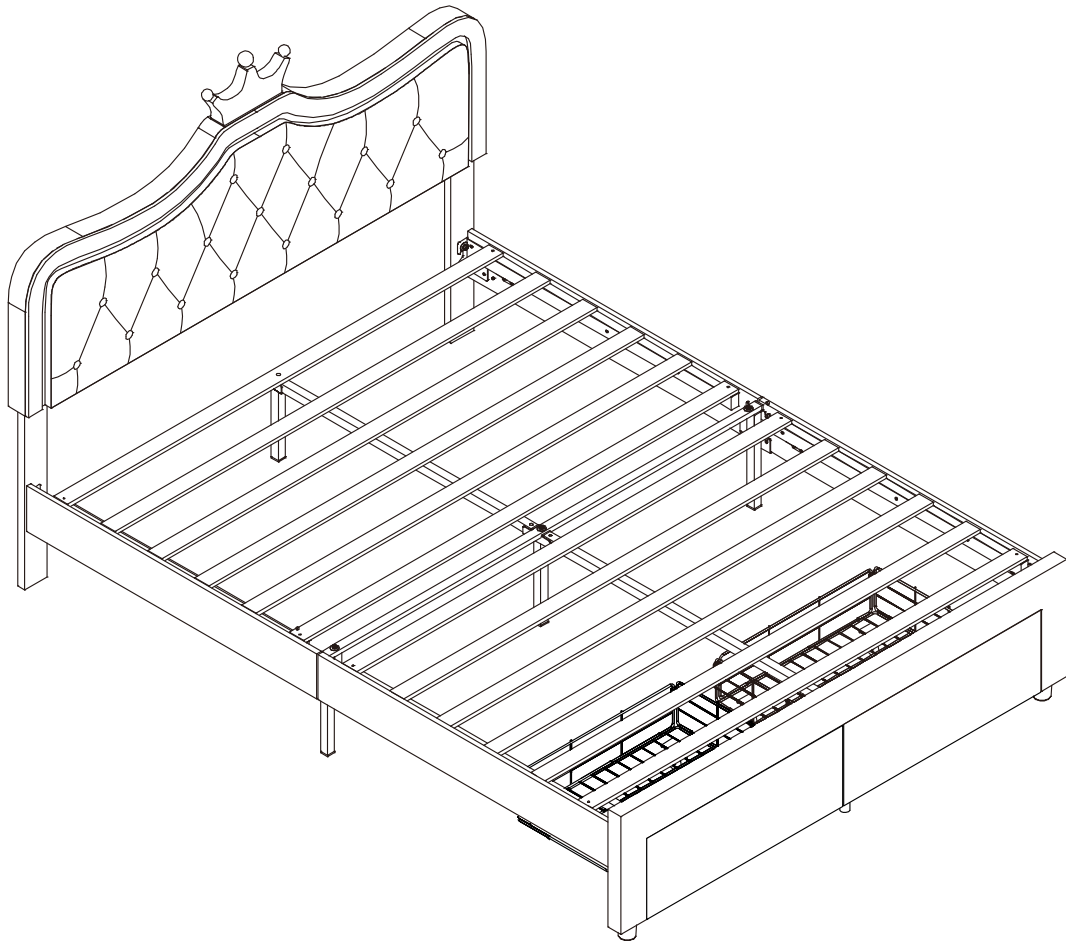


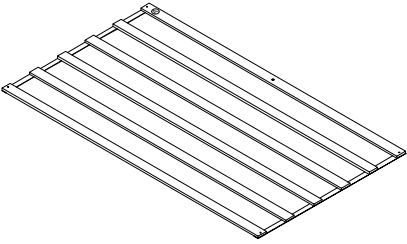
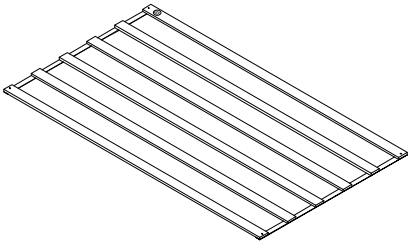
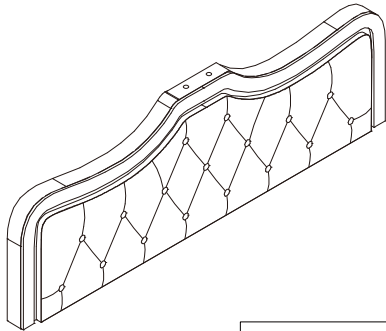
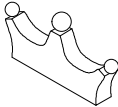

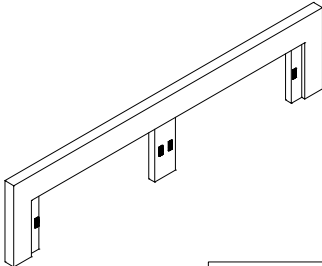
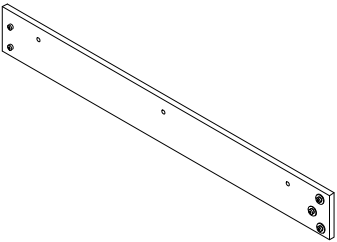
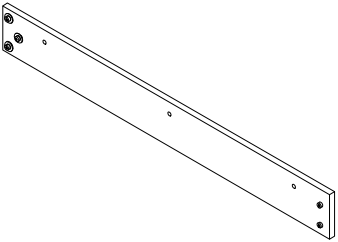
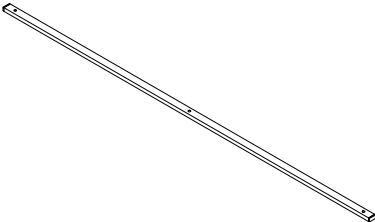
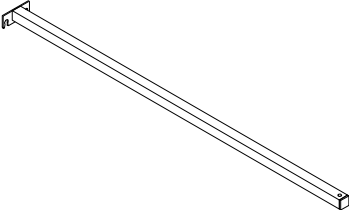
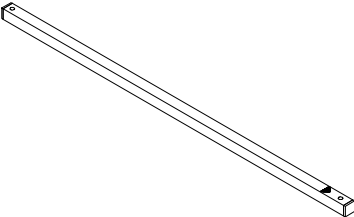
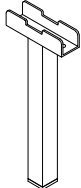
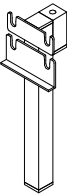

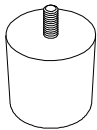
User's Manual

Bed Frame

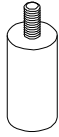
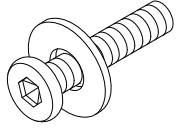

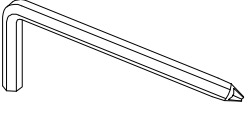
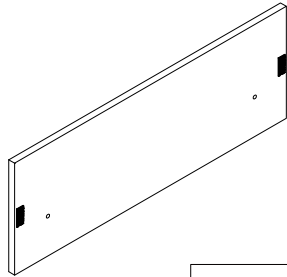
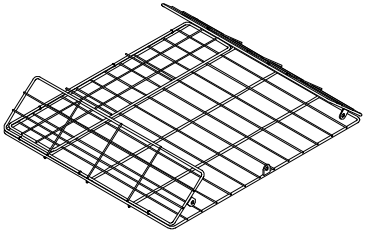
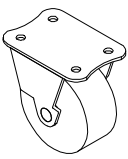
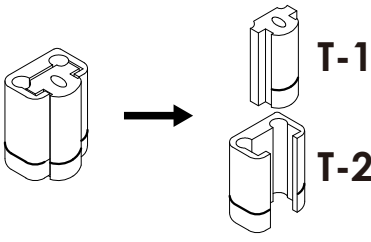

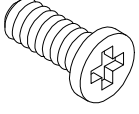
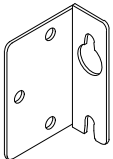
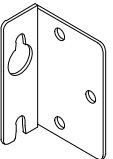
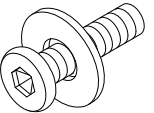
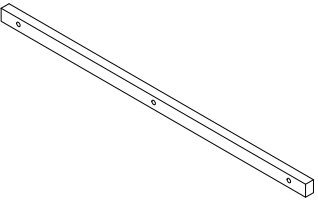
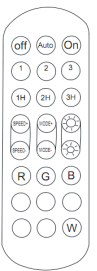
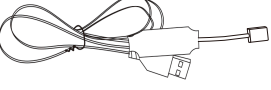


Full Size

Parts List(EN) / Teile Liste(DE)

<p>A Front Slat</p>  <p style="text-align: right;">1PC</p>	<p>B Back Slat</p>  <p style="text-align: right;">1PC</p>	<p>C Headboard</p>  <p style="text-align: right;">1PC</p>
<p>C1 crown</p>  <p style="text-align: right;">1PC</p>	<p>D Headboard side leg</p>  <p style="text-align: right;">2PCS</p>	<p>E Footboard</p>  <p style="text-align: right;">1PC</p>
<p>F1 Left siderails</p>  <p style="text-align: right;">2PCS</p>	<p>F2 Right siderails</p>  <p style="text-align: right;">2PCS</p>	<p>G The brace</p>  <p style="text-align: right;">1PC</p>
<p>H Back Middle cross beam</p>  <p style="text-align: right;">1PC</p>	<p>I Front Middle cross beam</p>  <p style="text-align: right;">1PC</p>	<p>J Middle leg</p>  <p style="text-align: right;">1PC</p>
<p>K Edge of the foot</p>  <p style="text-align: right;">2PCS</p>	<p>L Front Leg</p>  <p style="text-align: right;">1PC</p>	<p>M Bed leg</p>  <p style="text-align: right;">2PCS</p>

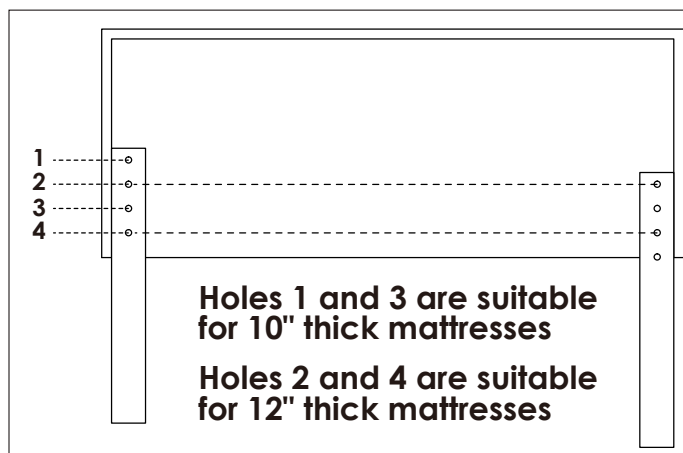
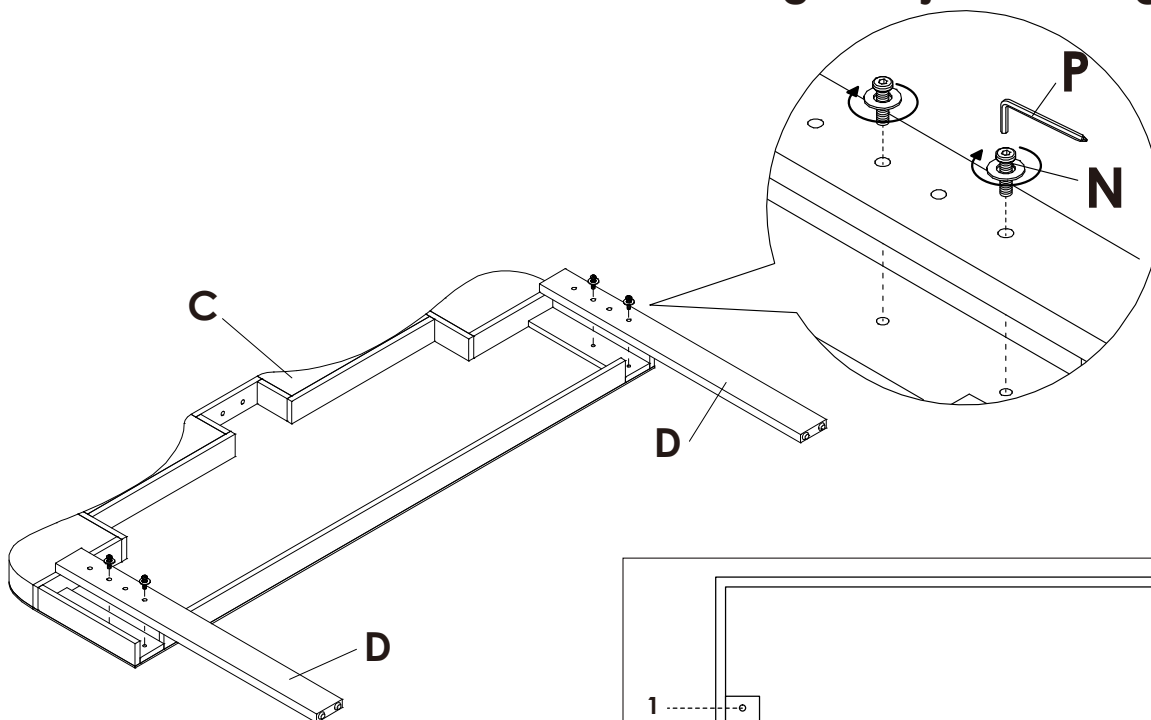
Parts List(EN) / Teile Liste(DE)

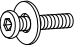

<p>M1 Bed leg</p>  <div style="text-align: right; border: 1px solid black; padding: 2px; width: fit-content; margin-left: auto;">1PC</div>	<p>N Innerscrew</p>  <p style="text-align: center;">M8×45mm</p> <div style="text-align: right; border: 1px solid black; padding: 2px; width: fit-content; margin-left: auto;">10+1PCS</div>	<p>O Screw</p>  <p style="text-align: center;">M3.5×30mm</p> <div style="text-align: right; border: 1px solid black; padding: 2px; width: fit-content; margin-left: auto;">8+1PCS</div>	
<p>P Inner allen wrench</p>  <div style="text-align: right; border: 1px solid black; padding: 2px; width: fit-content; margin-left: auto;">1PC</div>	<p>Q Drawer panel</p>  <div style="text-align: right; border: 1px solid black; padding: 2px; width: fit-content; margin-left: auto;">2PCS</div>	<p>R Drawer</p>  <div style="text-align: right; border: 1px solid black; padding: 2px; width: fit-content; margin-left: auto;">2PCS</div>	
<p>S Drawer wheel</p>  <div style="text-align: right; border: 1px solid black; padding: 2px; width: fit-content; margin-left: auto;">8PCS</div>	<p>T Drawer connector</p>  <div style="text-align: right; border: 1px solid black; padding: 2px; width: fit-content; margin-left: auto;">4PCS</div>	<p>U Screw</p>  <p style="text-align: center;">M6×6mm</p> <div style="text-align: right; border: 1px solid black; padding: 2px; width: fit-content; margin-left: auto;">8+1PCS</div>	
<p>V Screw</p>  <p style="text-align: center;">M6×15mm</p> <div style="text-align: right; border: 1px solid black; padding: 2px; width: fit-content; margin-left: auto;">6PCS</div>	<p>W Left Bracket</p>  <div style="text-align: right; border: 1px solid black; padding: 2px; width: fit-content; margin-left: auto;">2PCS</div>	<p>X Right Bracket</p>  <div style="text-align: right; border: 1px solid black; padding: 2px; width: fit-content; margin-left: auto;">2PCS</div>	
<p>Y Innerscrew</p>  <p style="text-align: center;">M8×38mm</p> <div style="text-align: right; border: 1px solid black; padding: 2px; width: fit-content; margin-left: auto;">14+1PCS</div>	<p>Z Support Wood</p>  <div style="text-align: right; border: 1px solid black; padding: 2px; width: fit-content; margin-left: auto;">4PCS</div>	<p>W1 Controller</p>  <div style="text-align: right; border: 1px solid black; padding: 2px; width: fit-content; margin-left: auto;">PC</div>	<p>X1 Receiver</p>  <div style="text-align: right; border: 1px solid black; padding: 2px; width: fit-content; margin-left: auto;">1PC</div>

Assembly Steps(EN) / Montageschritte(DE)

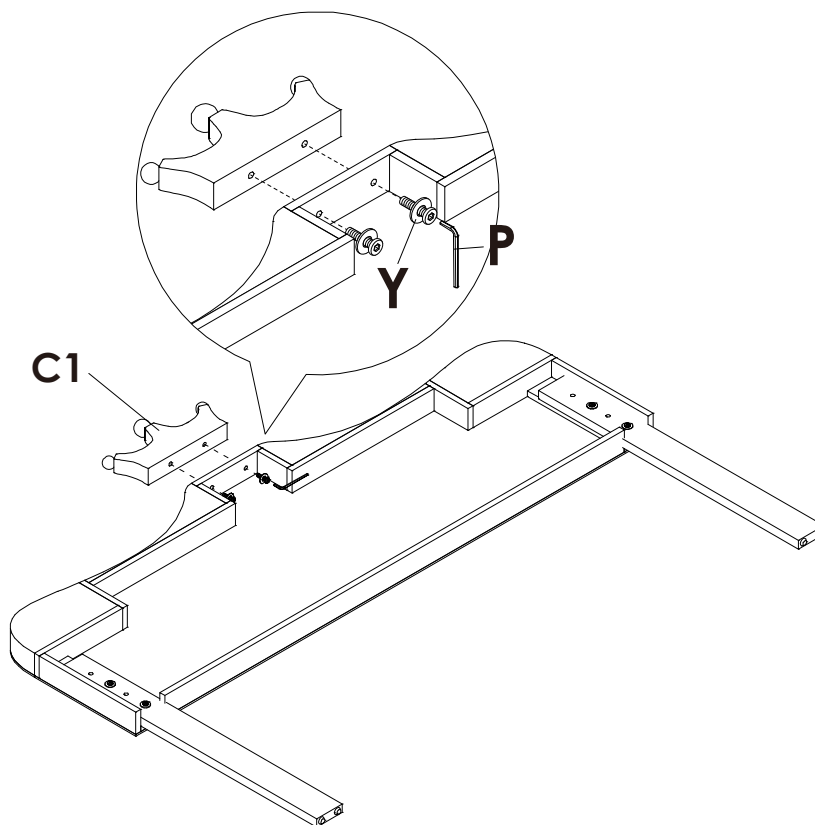
STEP 1



Height-adjustable legs



	N x 4PCS
	P x 1PC

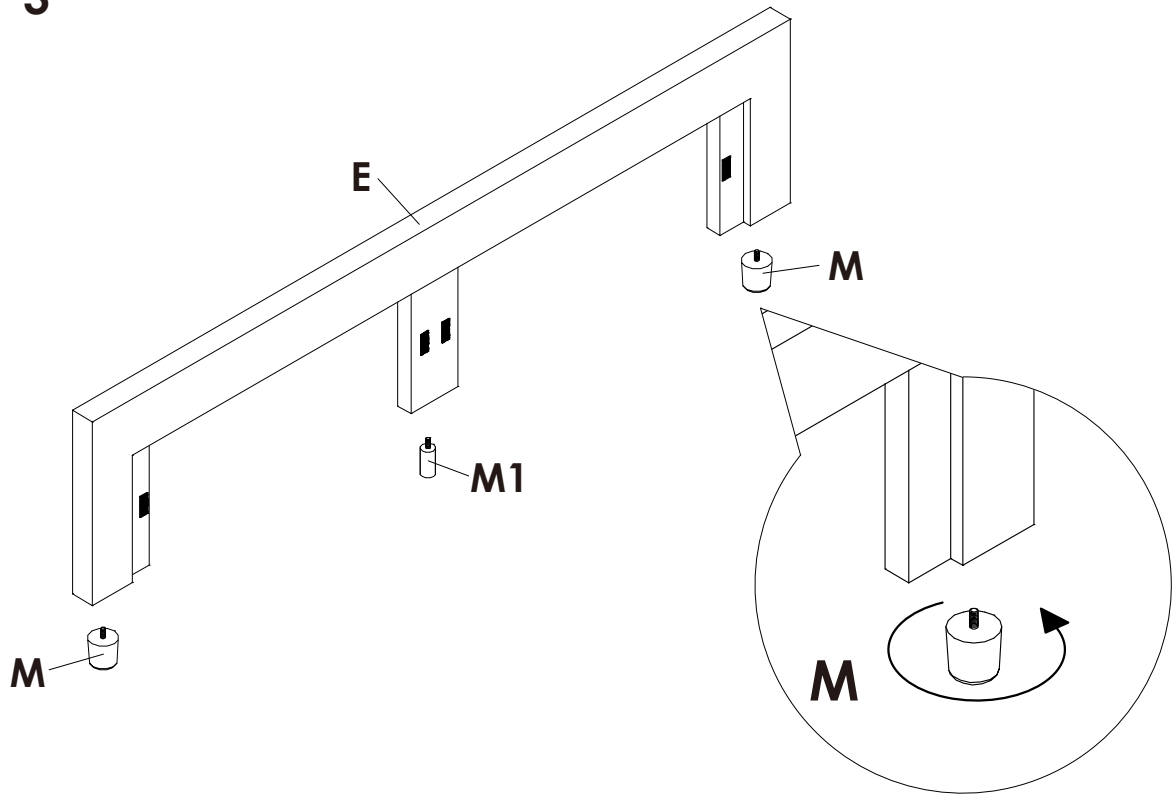
STEP 2



	Y x 2PCS
	P x 1PC

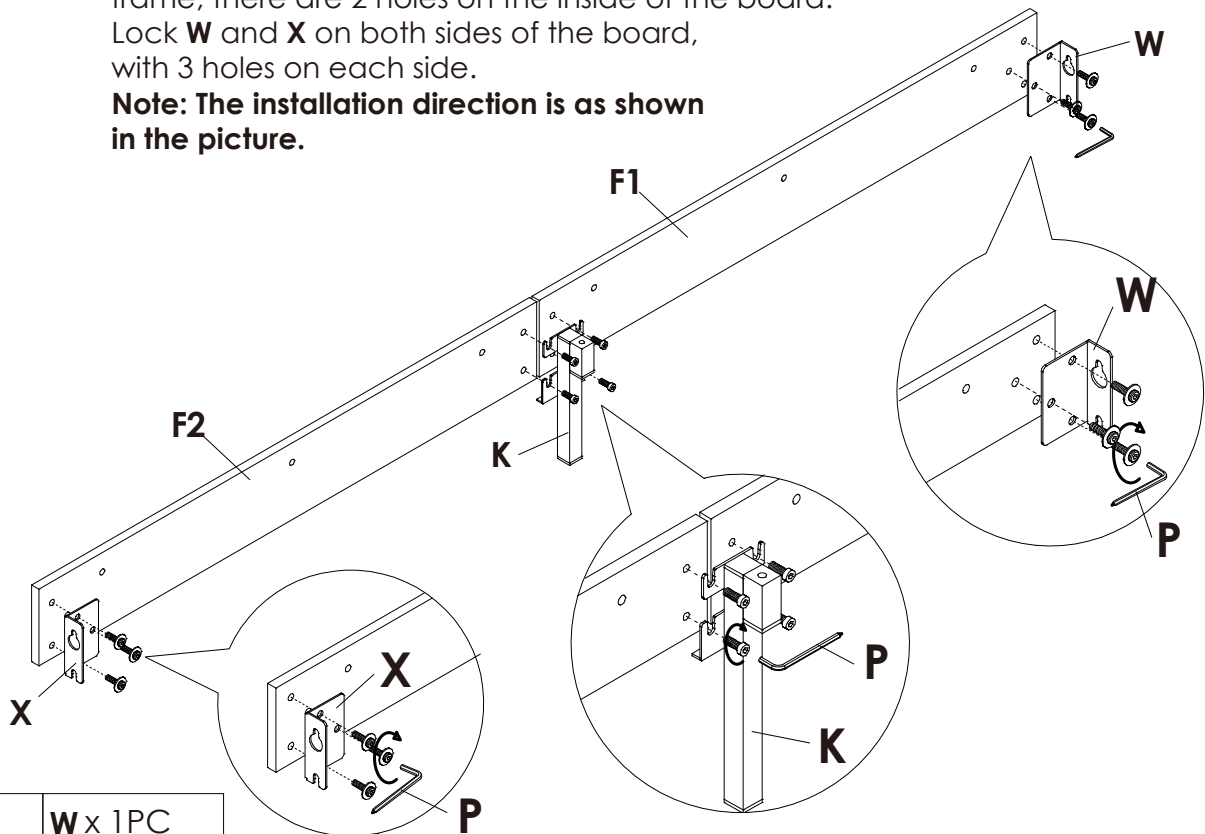
Assembly Instruction of (Bed)

STEP 3



STEP 4

Connect **F1** and **F2** together with **K**, and lock the iron frame, there are 2 holes on the inside of the board.
 Lock **W** and **X** on both sides of the board, with 3 holes on each side.
Note: The installation direction is as shown in the picture.



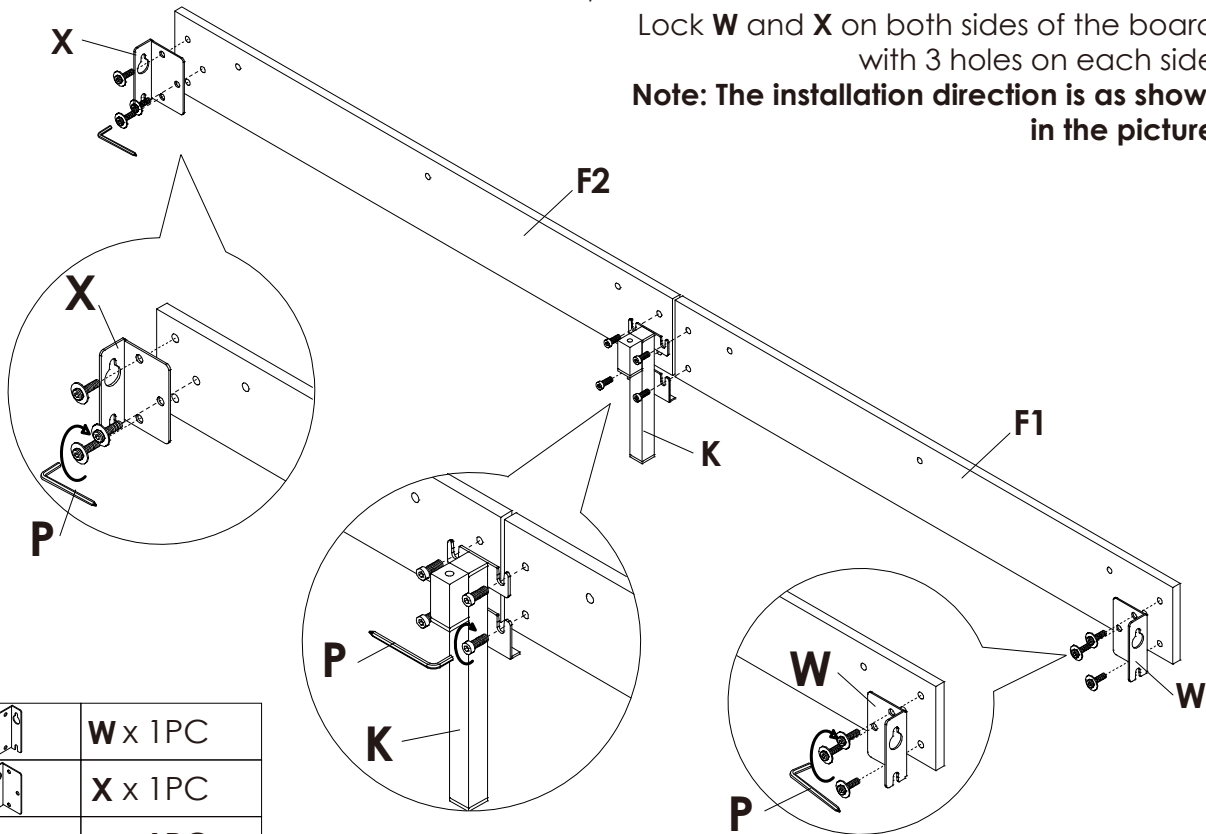
	W x 1PC
	X x 1PC
	P x 1PC




Assembly Instruction of (Bed)

STEP 5

Connect **F1** and **F2** together with **K**, and lock the iron frame, there are 2 holes on the inside of the board. Lock **W** and **X** on both sides of the board, with 3 holes on each side.

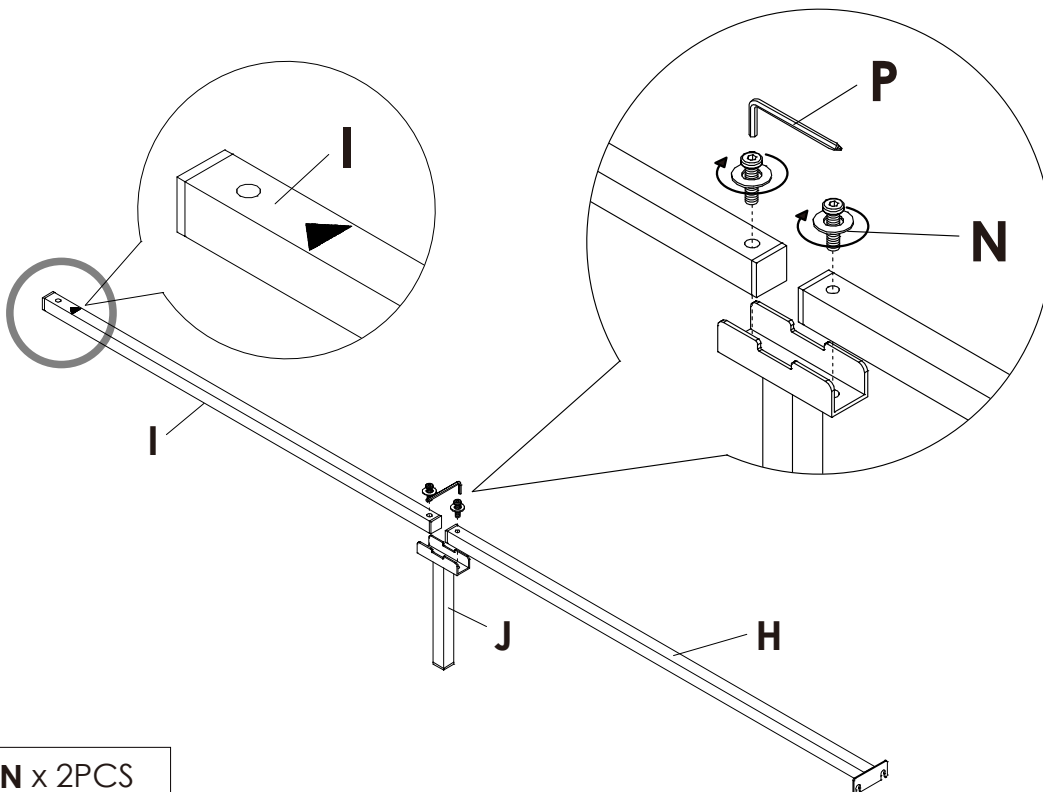
Note: The installation direction is as shown in the picture.

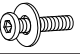



	W x 1PC
	X x 1PC
	P x 1PC

STEP 6

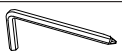
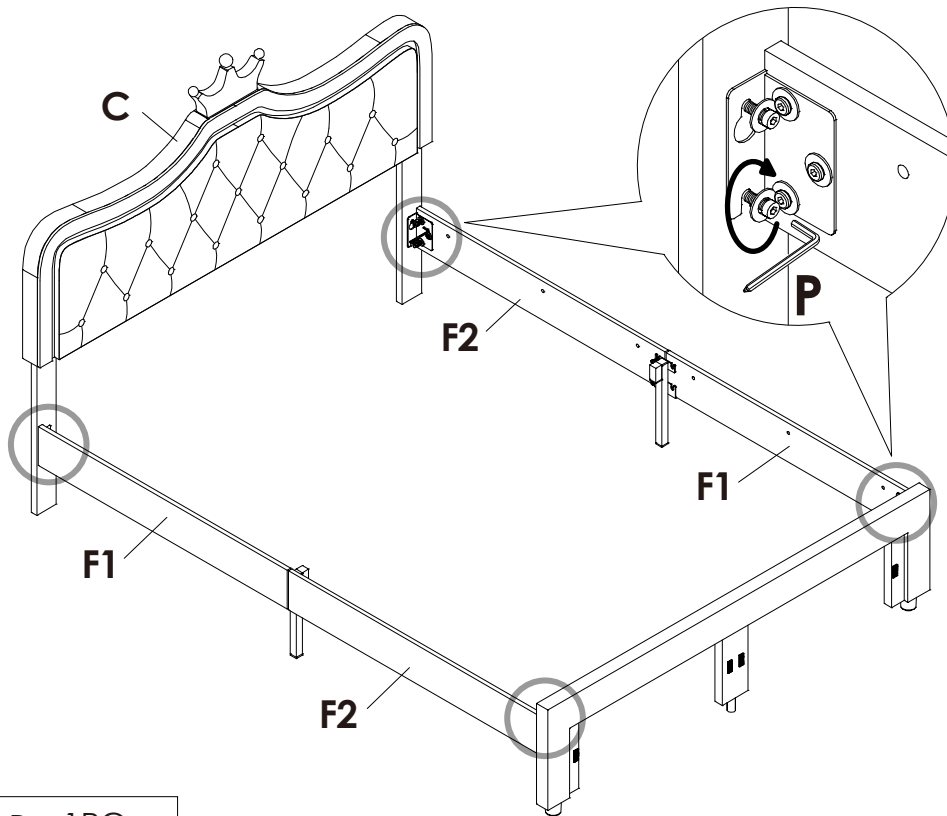
Noted that the middle cross beam, the direction of the red arrow is the front



	N x 2PCS
	P x 1PC

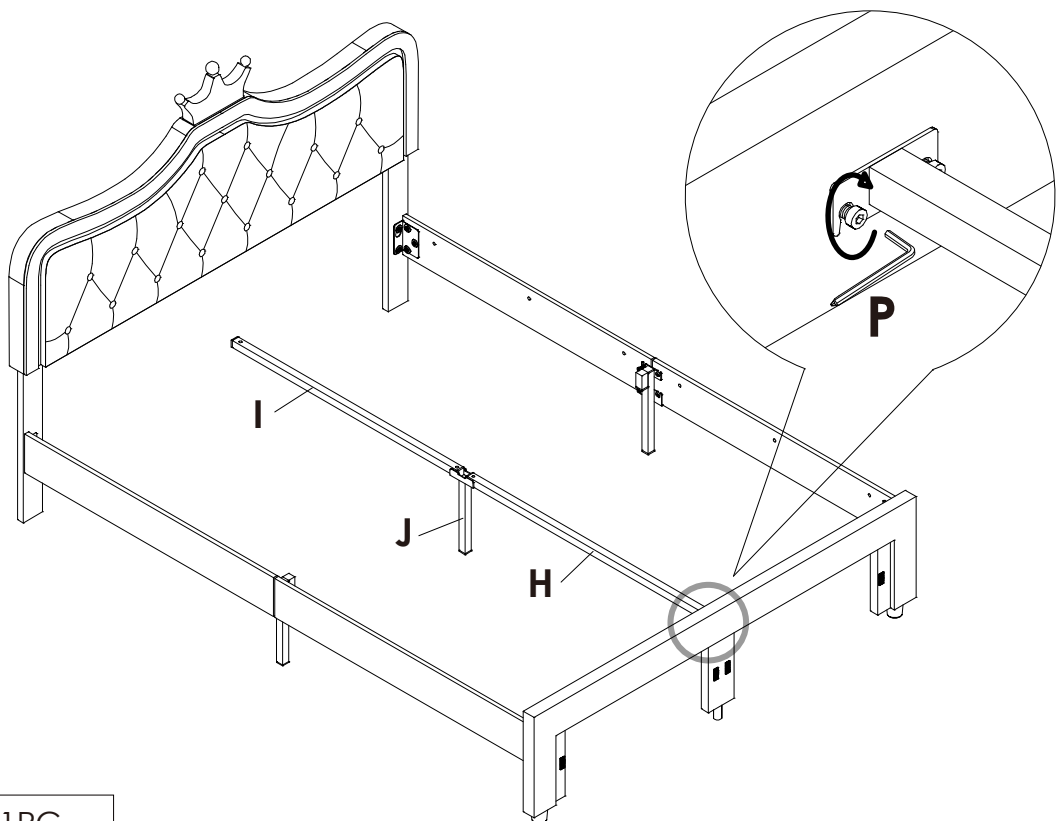
Assembly Instruction of (Bed)

STEP 7 Loosen the screws on the side legs of the headboard and footboard, hang the brackets, and tighten the inner screws.



P x 1PC

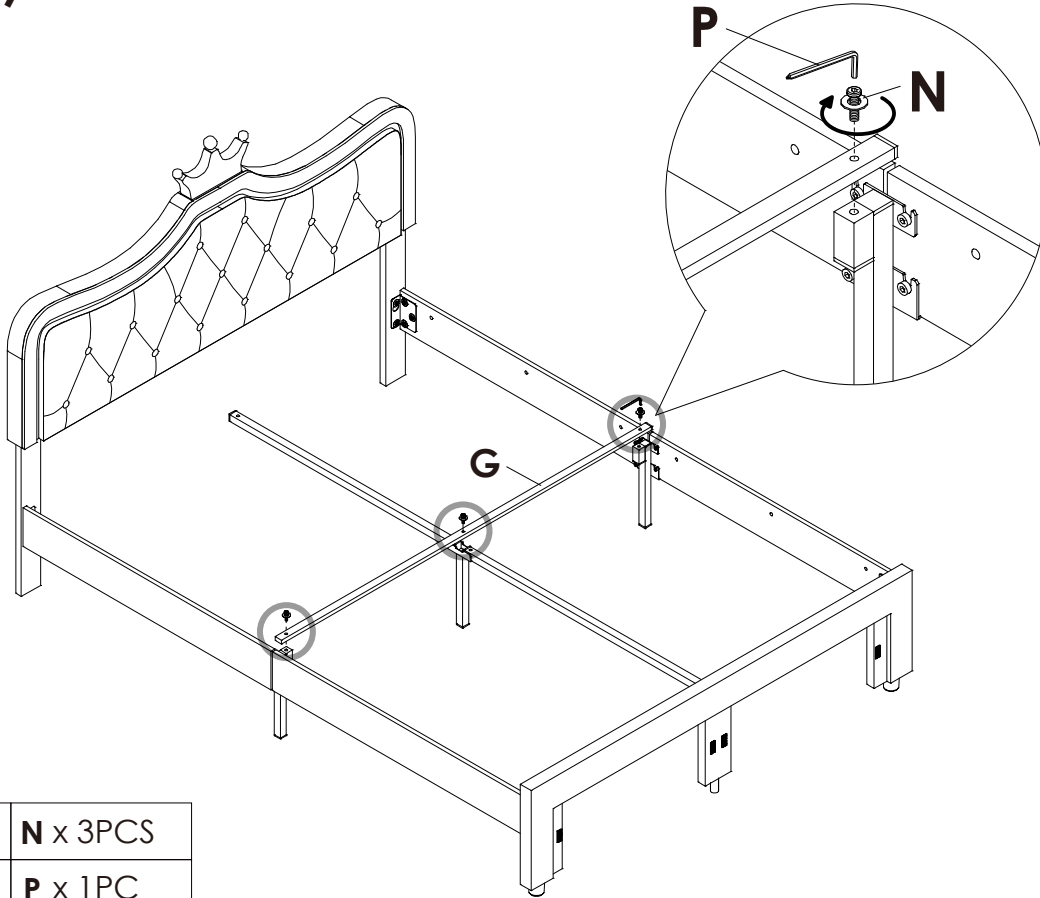
STEP 8 Loosen the screw in the middle of the footboard, hang the bracket, and tighten the inner screw.





P x 1PC

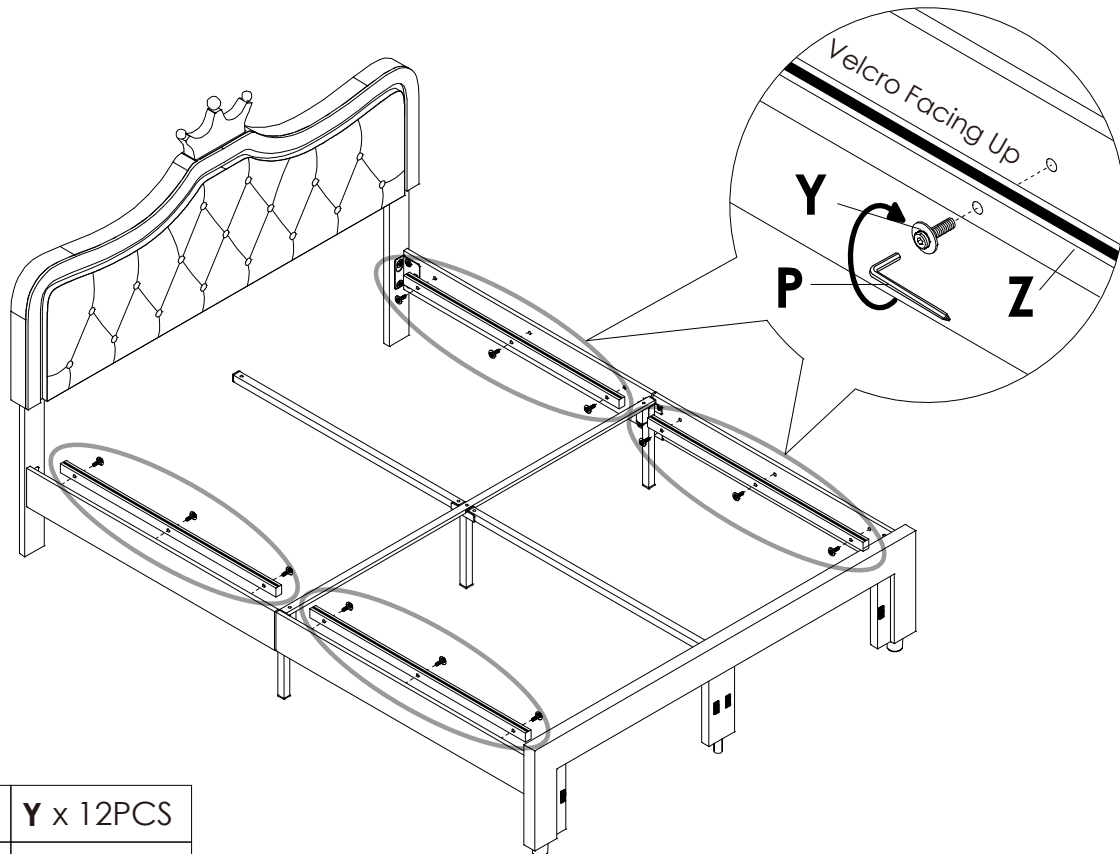
Assembly Instruction of (Bed)



STEP 9



	N x 3PCS
	P x 1PC

STEP 10

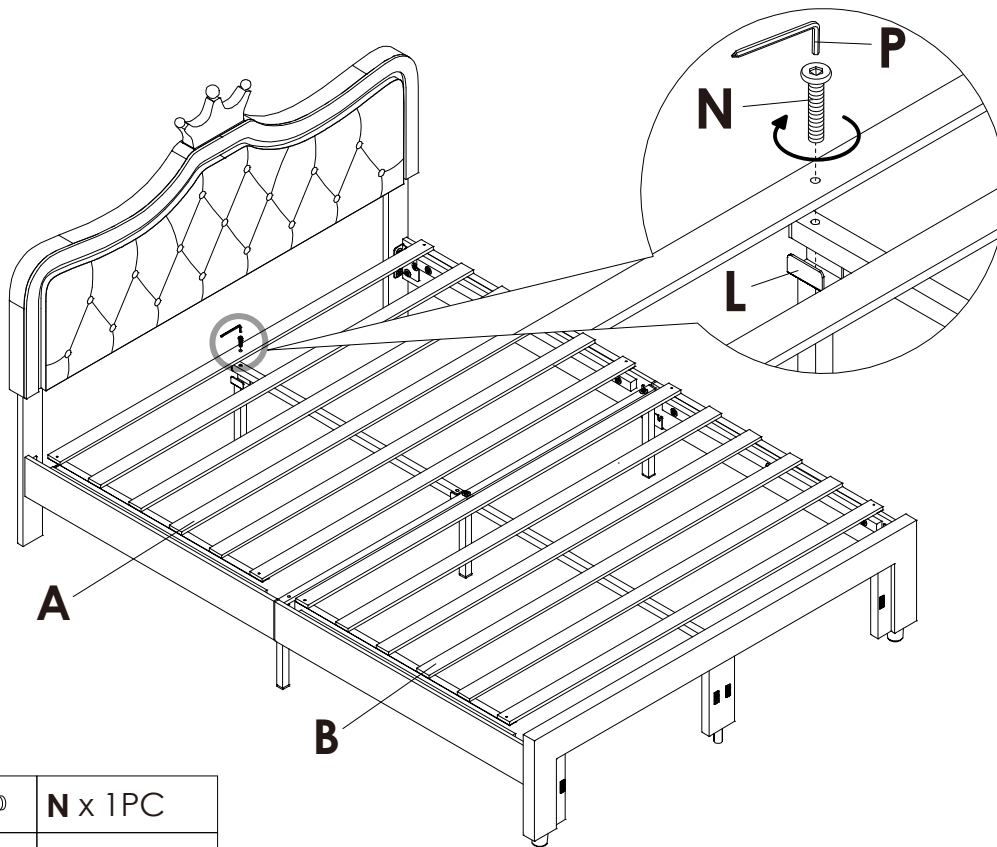


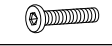

	Y x 12PCS
	P x 1PC

Assembly Instruction of (Bed)

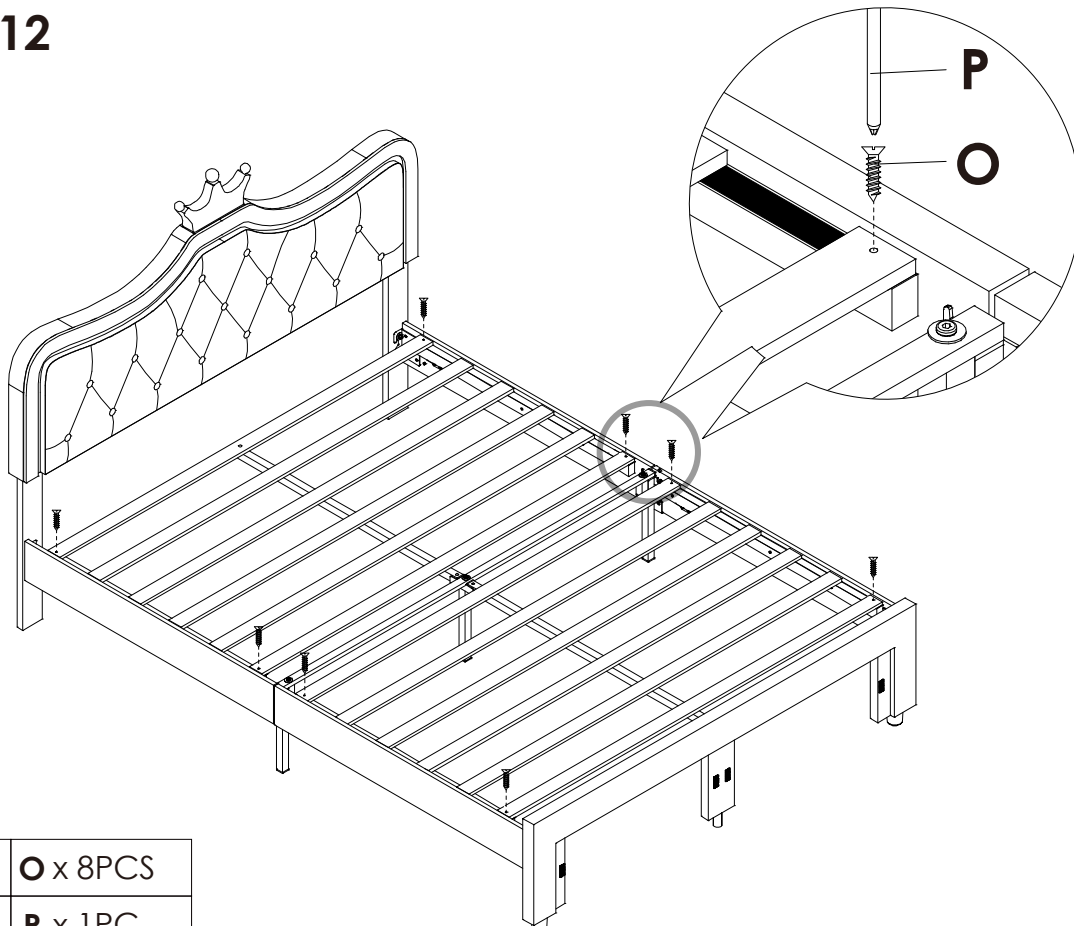
STEP 11


No Washer Gasket



	N x 1PC
	P x 1PC

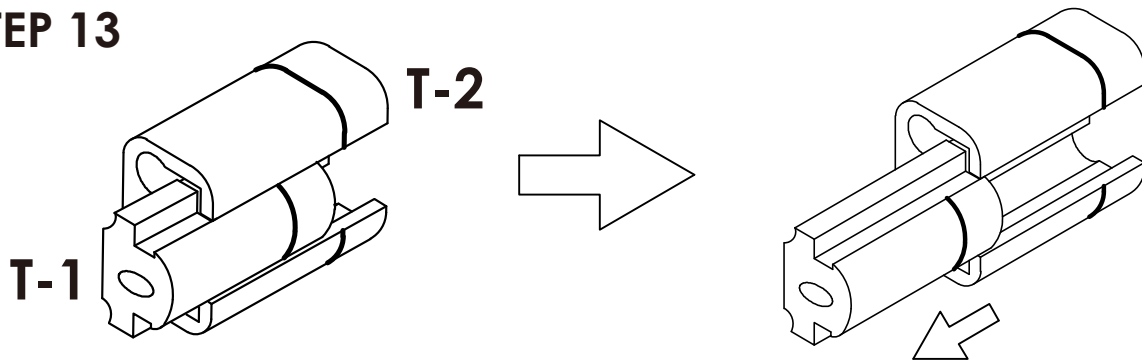
STEP 12



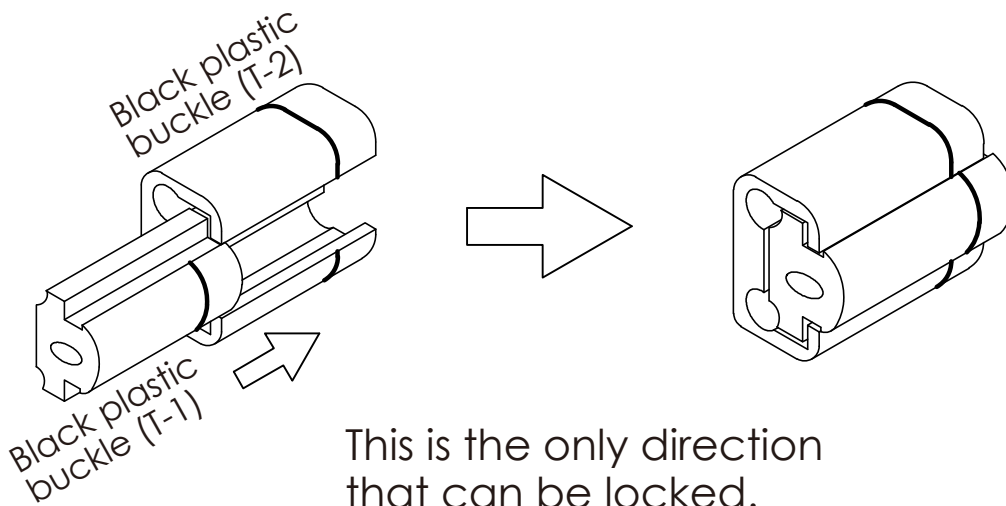
	O x 8PCS
	P x 1PC

Assembly Instruction of (Drawer)

STEP 13

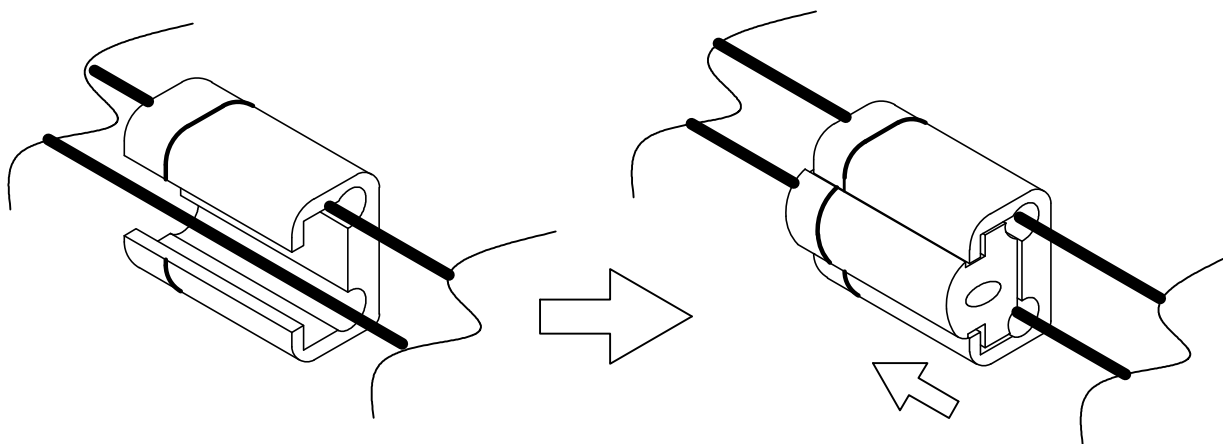


You can pull the buckle out by following the direction indicated by the arrow



This is the only direction that can be locked.

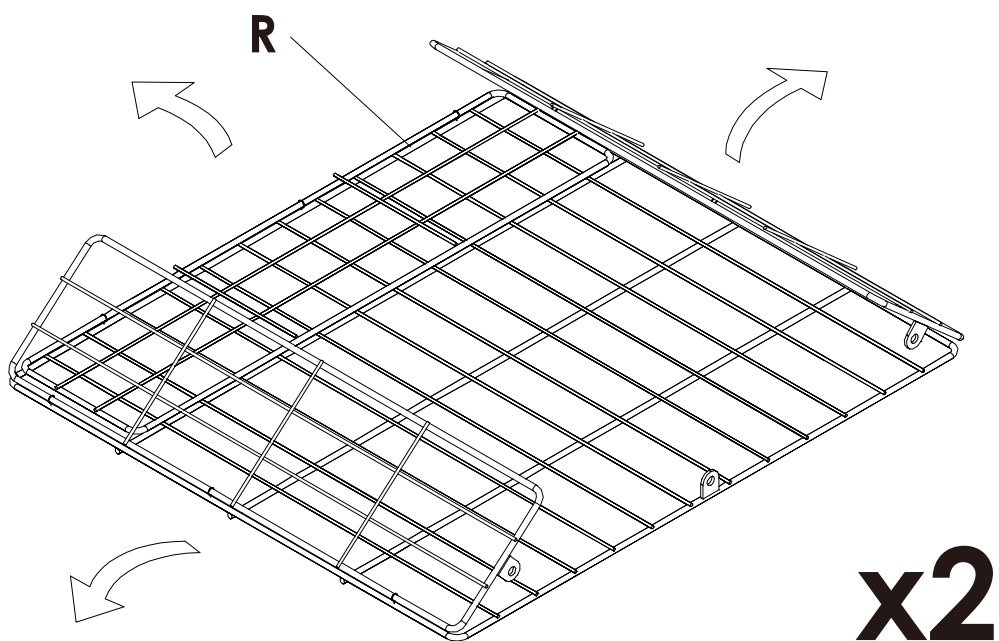
STEP 14



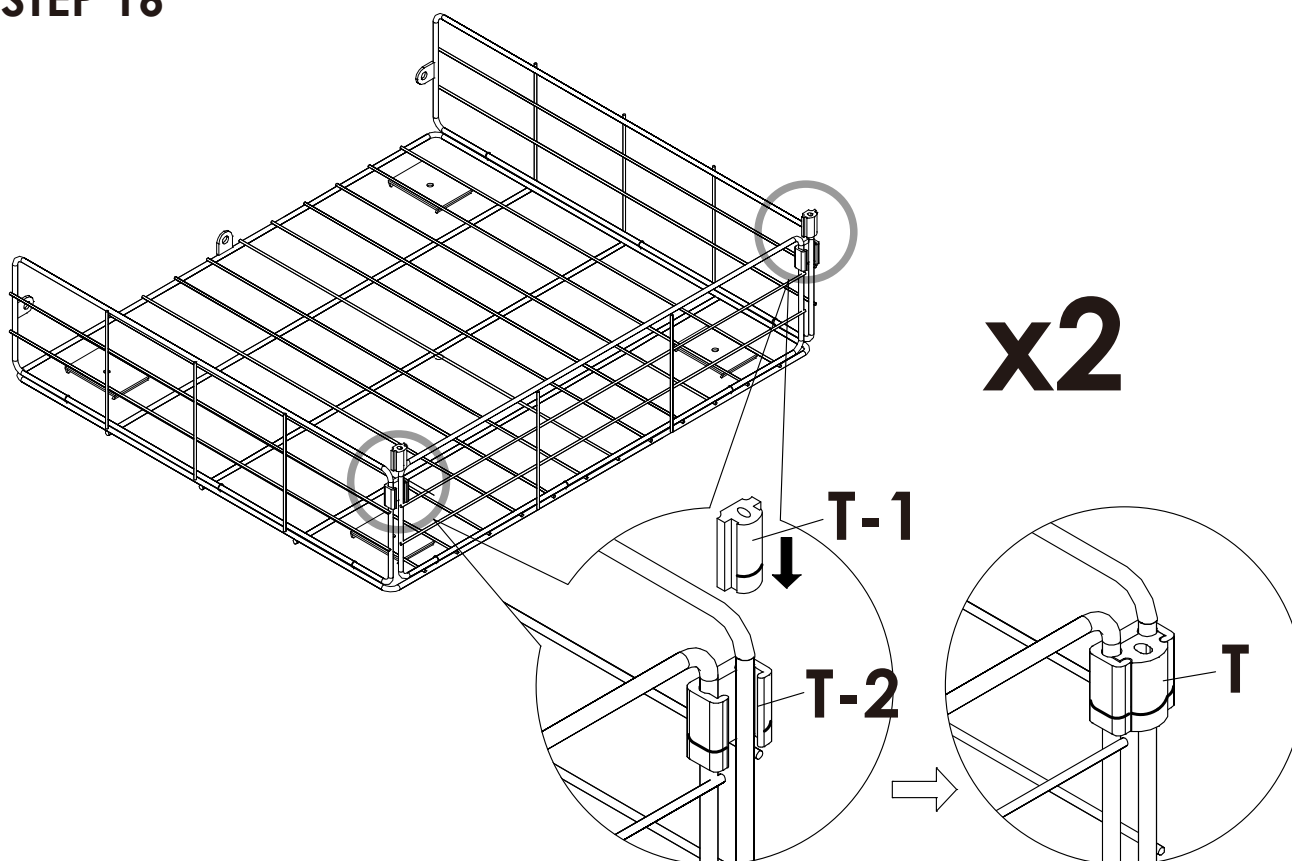
Place the round iron tubes as shown for better assembly of the drawers.

Assembly Steps(EN) / Montageschritte(DE)

STEP 15



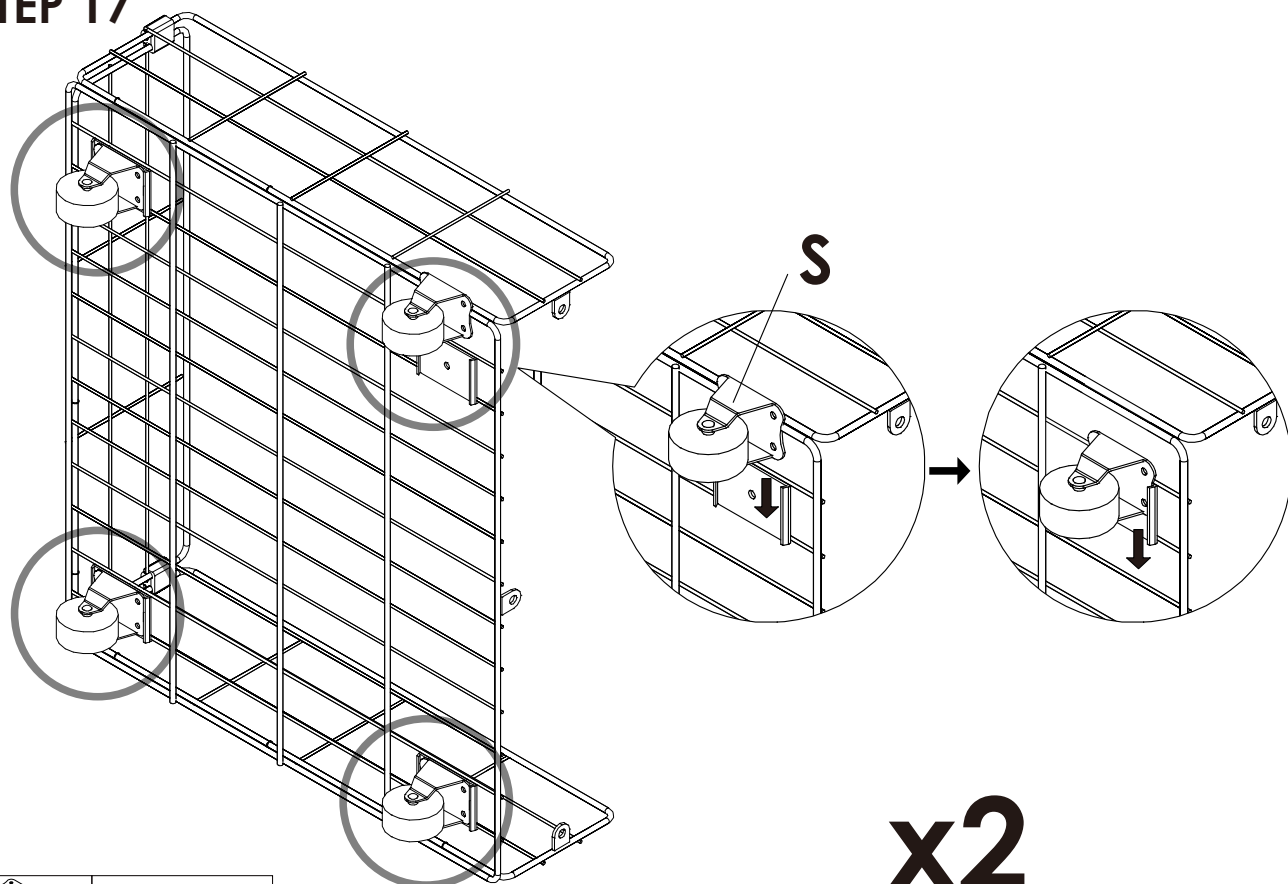
STEP 16



T x 4PCS

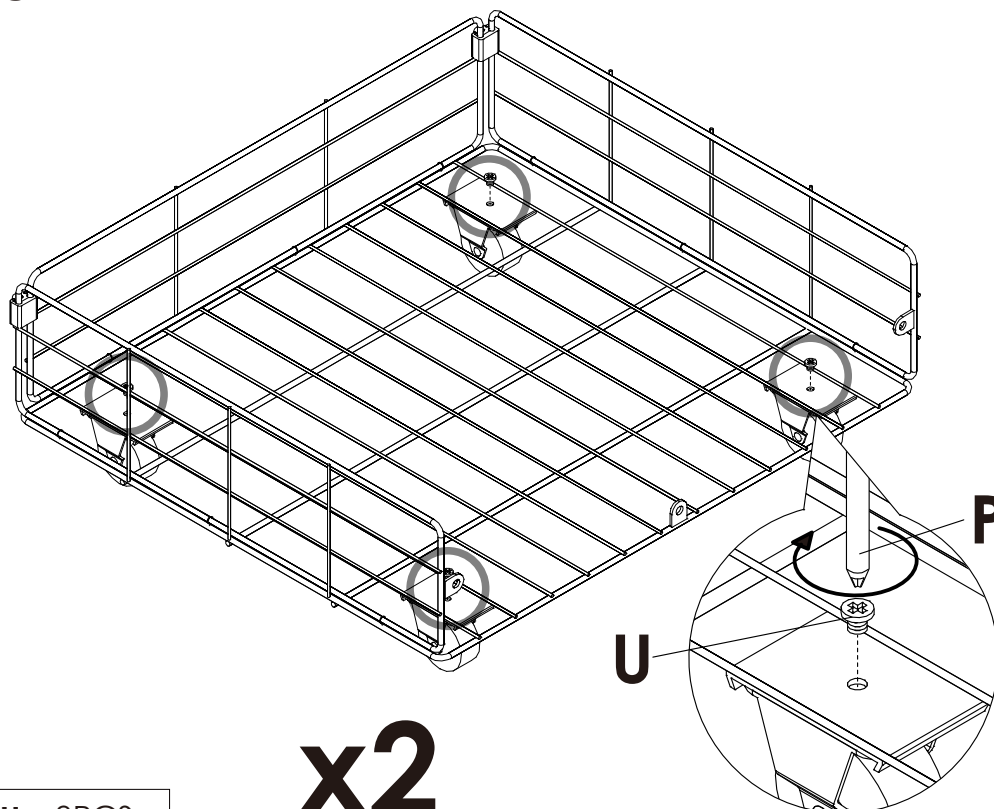
Assembly Steps(EN) / Montageschritte(DE)

STEP 17



S x 8PCS

STEP 18



U x 8PCS

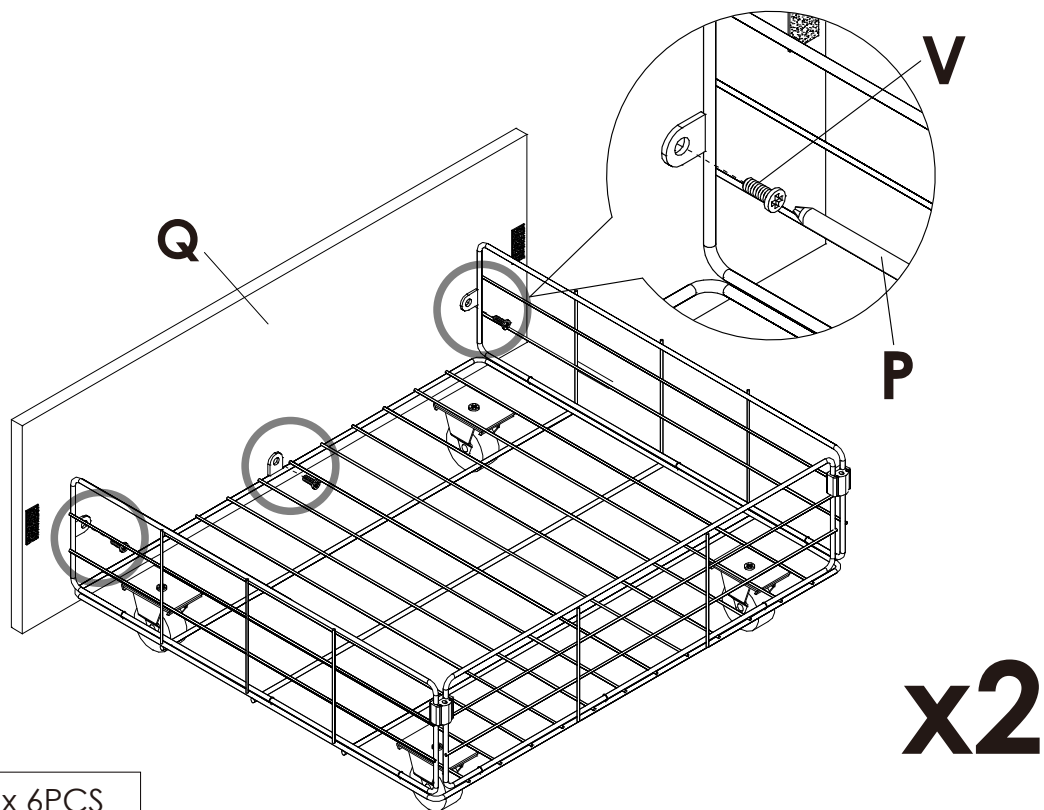


P x 1PC

NOTE: The wheels do not require screw holes.

Assembly Steps(EN) / Montageschritte(DE)

STEP 19

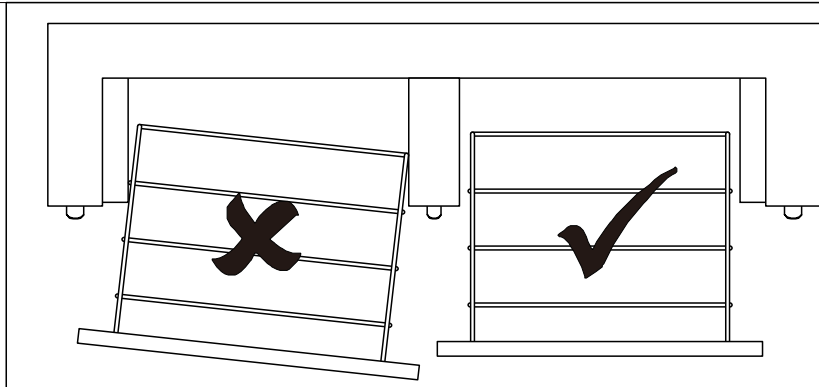
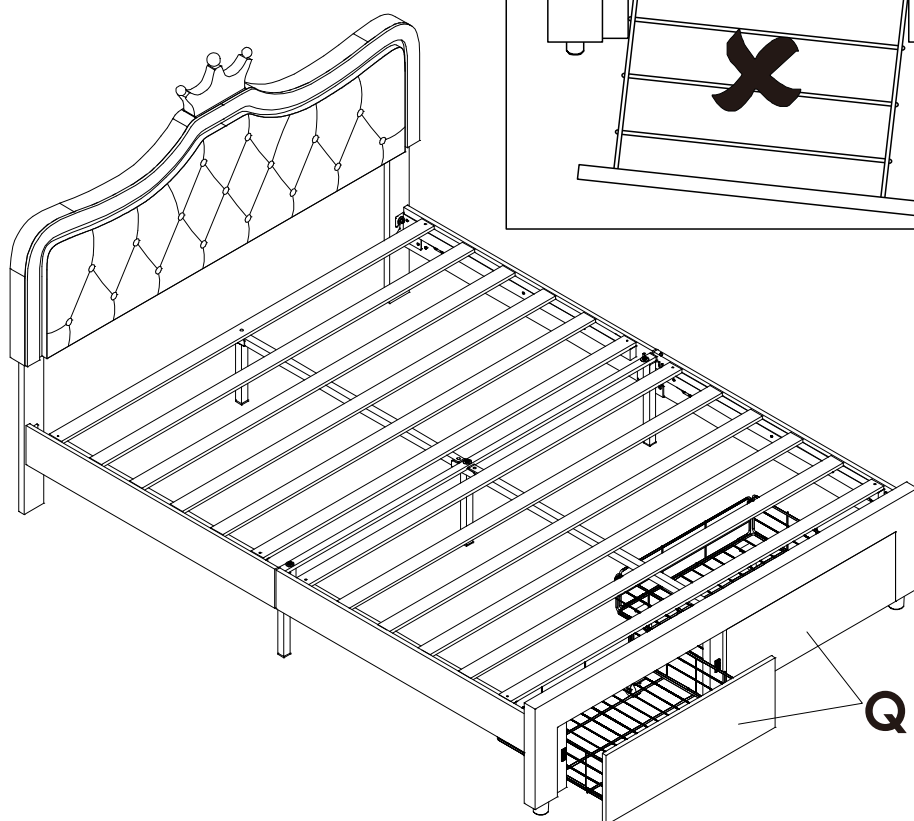


V x 6PCS



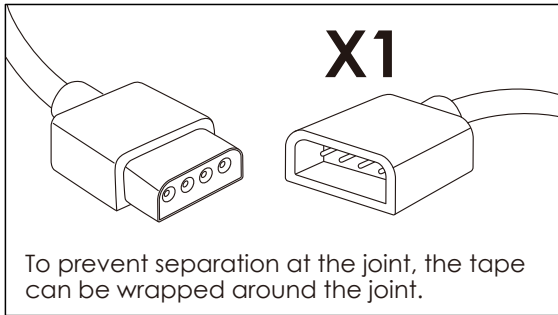
P x 1PC

STEP 20



Assembly Instruction of (Bed)

STEP 21



NOTE: The black part of the receiver (X1) needs to be exposed to air in order to better control the LED light.



Please scan the QR code on the manual/controller and install the application.

Step1: Please make sure your phone has Bluetooth enabled.

Step2: The LED light will automatically connect to the APP.



Thanks Gracias!