

JM250DF

GE 27" Drop-In Electric Range

DIMENSIONS AND INSTALLATION INFORMATION (IN INCHES)

NOTE: This appliance has been approved for 0" spacing to adjacent surfaces above the cooktop. However, a 6" minimum spacing to surfaces less than 15" above the cooktop and adjacent cabinet is recommended to reduce exposure to steam, grease splatter and heat.

OPTIONAL BACKGUARD

(Available at additional cost)

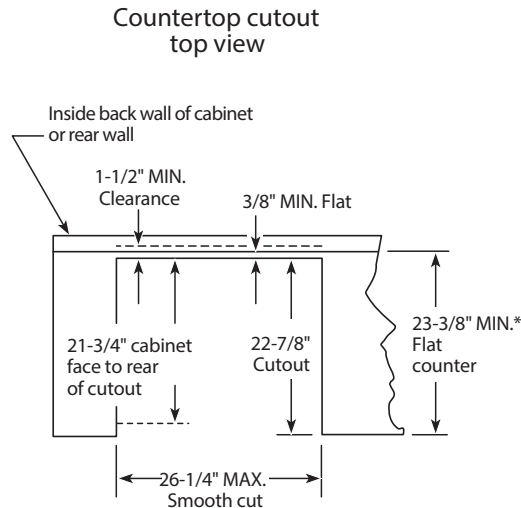
JX27RBK (Black)

JX27RWH (White)

INSTALLATION INFORMATION: Before installing, consult installation instructions for current dimensional data and additional requirements.

KW RATING	
240V	10.6
208V	8.0
BREAKER SIZE	
240V	40 Amp†
208V	40 Amp†

†NOTE: Check local codes for required breaker size



*If countertop edge is formed, this dimension must extend to flat area

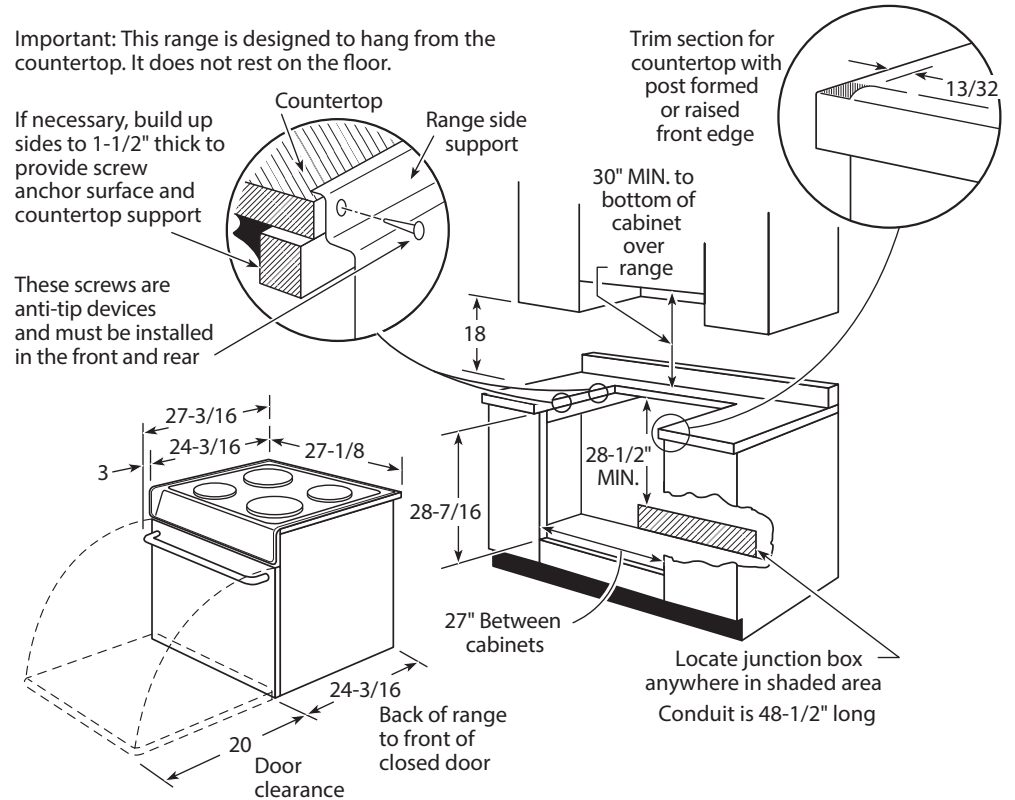
In replacement installation, use JX27R optional backguard, if required

27" Drop-In Ranges Dimensions (in inches)

Important: This range is designed to hang from the countertop. It does not rest on the floor.

If necessary, build up sides to 1-1/2" thick to provide screw anchor surface and countertop support

These screws are anti-tip devices and must be installed in the front and rear



For answers to your Monogram, GE Café™, GE Profile™ or GE Appliances product questions, visit our website at geappliances.com or call GE Answer Center® Service, 800.626.2000.



All GE ranges are equipped with an Anti-Tip device. The installation of this device is an important, required step in the installation of the range.

JM250DF

GE 27" Drop-In Electric Range

FEATURES AND BENEFITS

Self-Clean Oven – Cleans the oven cavity without the need for scrubbing

Coil Heating Elements – Provide even heat and easy cleanup

Chrome Drip Bowls – Contain spills and remove for easy cleaning

Electronic Clock and Timer – Help cooks coordinate meal preparation and cooking

Model JM250DFWW – White on white

Model JM250DFCC – Bisque on bisque

Model JM250DFBB – Black on black

