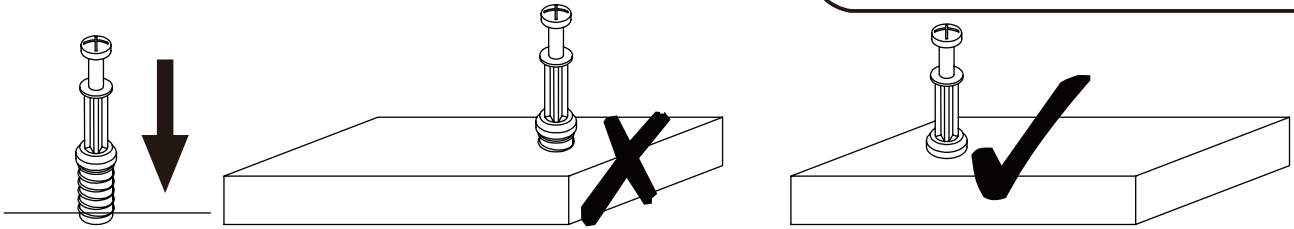
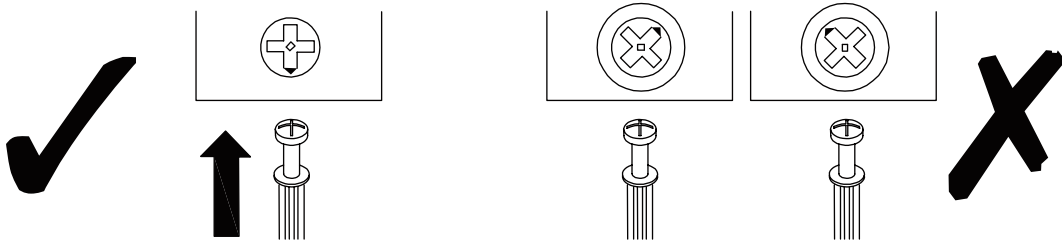


**EN\_IMPORTANT, RETAIN FOR FUTURE REFERENCE: READ CAREFULLY.**

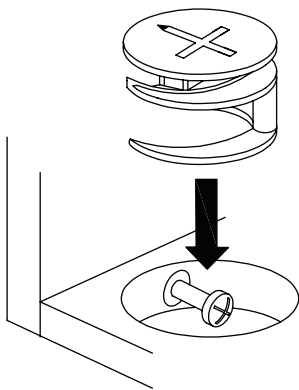
## USING CAM LOCK AND QUICKFIT



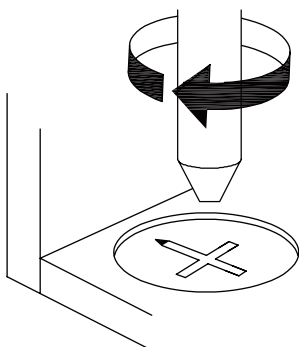
**EN\_QUICKFIT:** Tighten quickfit until shoulder is flush with panel. Do not overtighten or undertighten.



**EN\_CAM LOCK:** When fitting cam lock, ensure starting position is correct before you insert connecting quickfit.

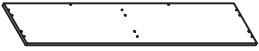

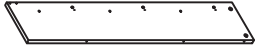


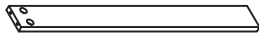
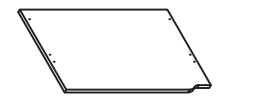
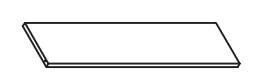
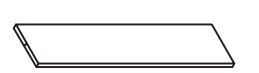
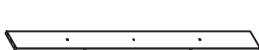



**EN\_Quickfit** head should be in the centre of the cam lock when the two panels are joined.  
Cam lock should be inserted before quickfit.

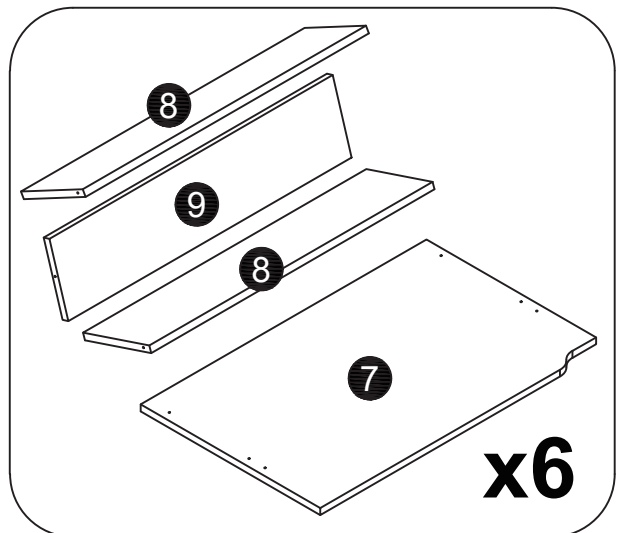
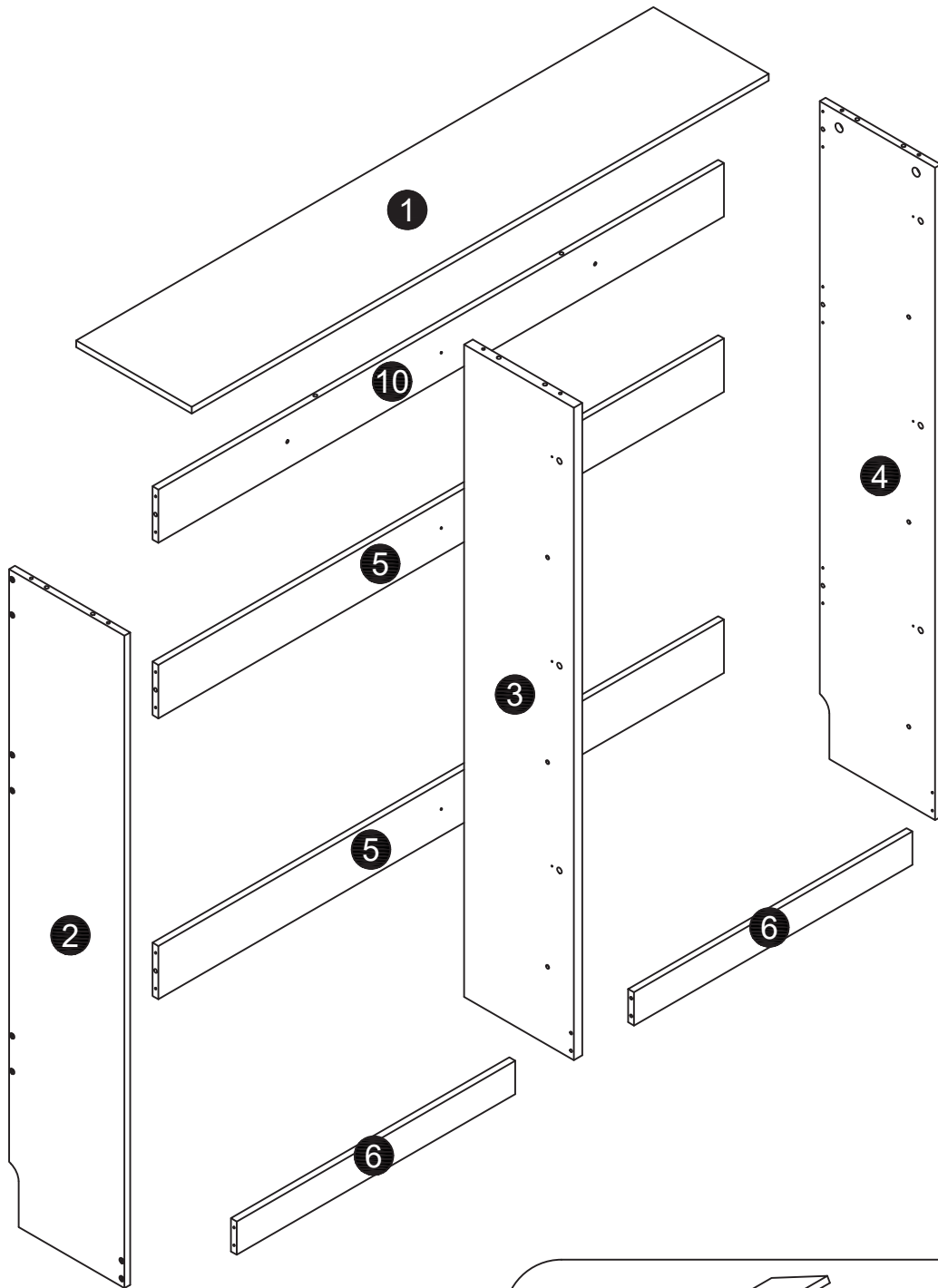


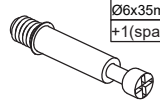

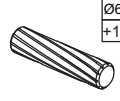
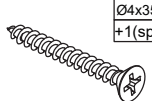
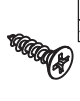



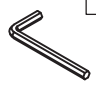



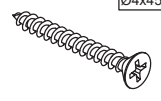

**EN\_Turn** cam lock clockwise to tighten.



**PACKING DELALS**

NO.	PARTS	QTY	SPARE
①		x1	
②		x1	
③		x1	
④		x1	
⑤		x2	
⑥		x2	
⑦		x6	
⑧		x12	
⑨		x6	
⑩		x1	

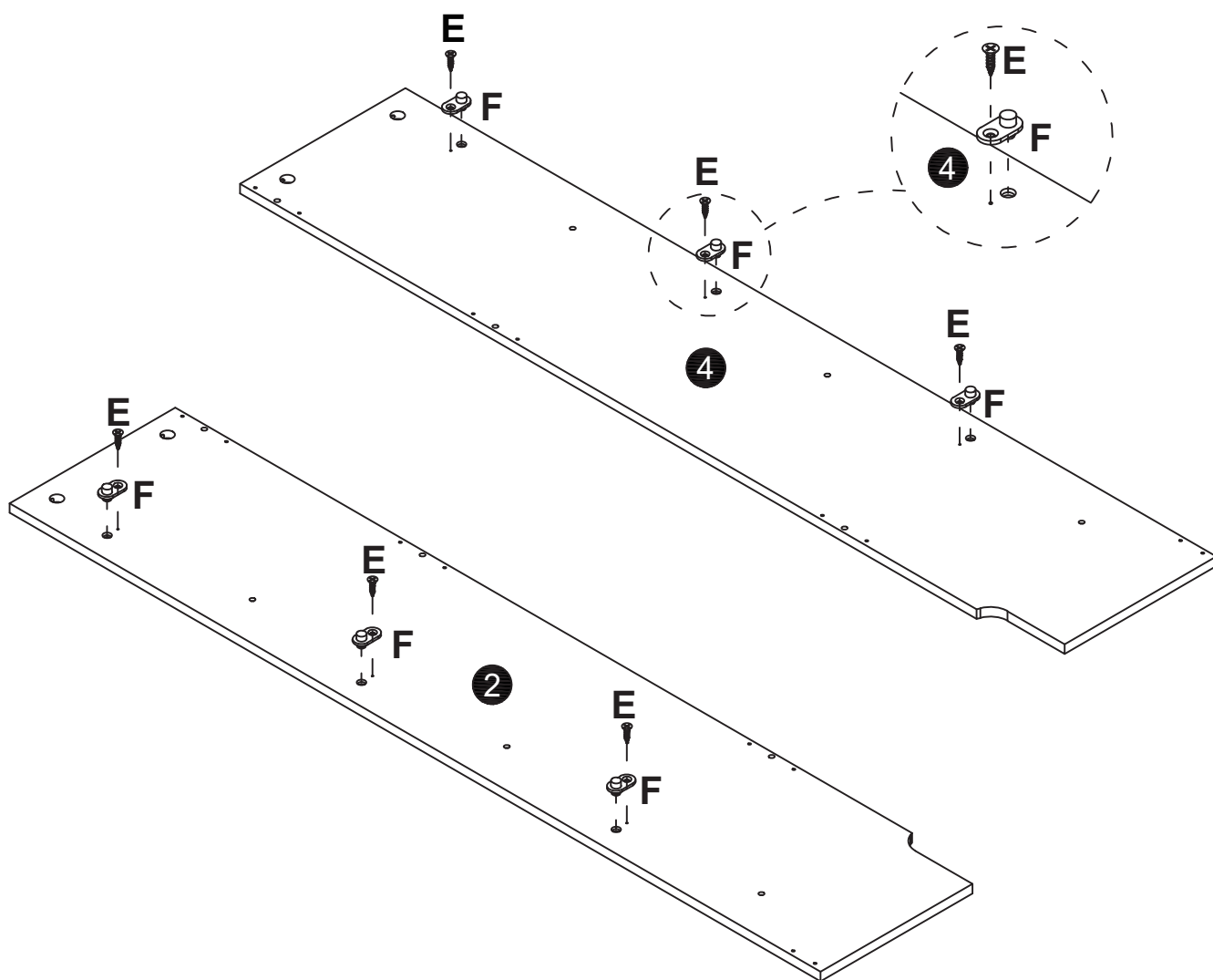
NO.		QTY	SPARE
	 Hardware Kit	x1	



<p><b>A</b> x10 Ø6x35mm +1(spare)</p> 	<p><b>B</b> x10 Ø15x10mm +1(spare)</p> 	<p><b>C</b> x14 Ø6x30mm +1(spare)</p> 	<p><b>D</b> x19 Ø4x35mm +1(spare)</p> 	<p><b>E</b> x84 Ø3.5x12mm +4(spare)</p> 	<p><b>F</b> x12</p> 
<p><b>G</b> x12</p> 	<p><b>H</b> x12</p> 	<p><b>I</b> x1 M5</p> 	<p><b>J</b> x16 +2(spare)</p> 	<p><b>K</b> x2 Ø6x30mm</p> 	<p><b>L</b> x6</p> 
<p><b>M</b> x2 Ø4x45mm</p> 	<p><b>R</b> x6</p> 				

<p><b>E</b> x6</p> 	<p><b>F</b> x6</p> 
--	--

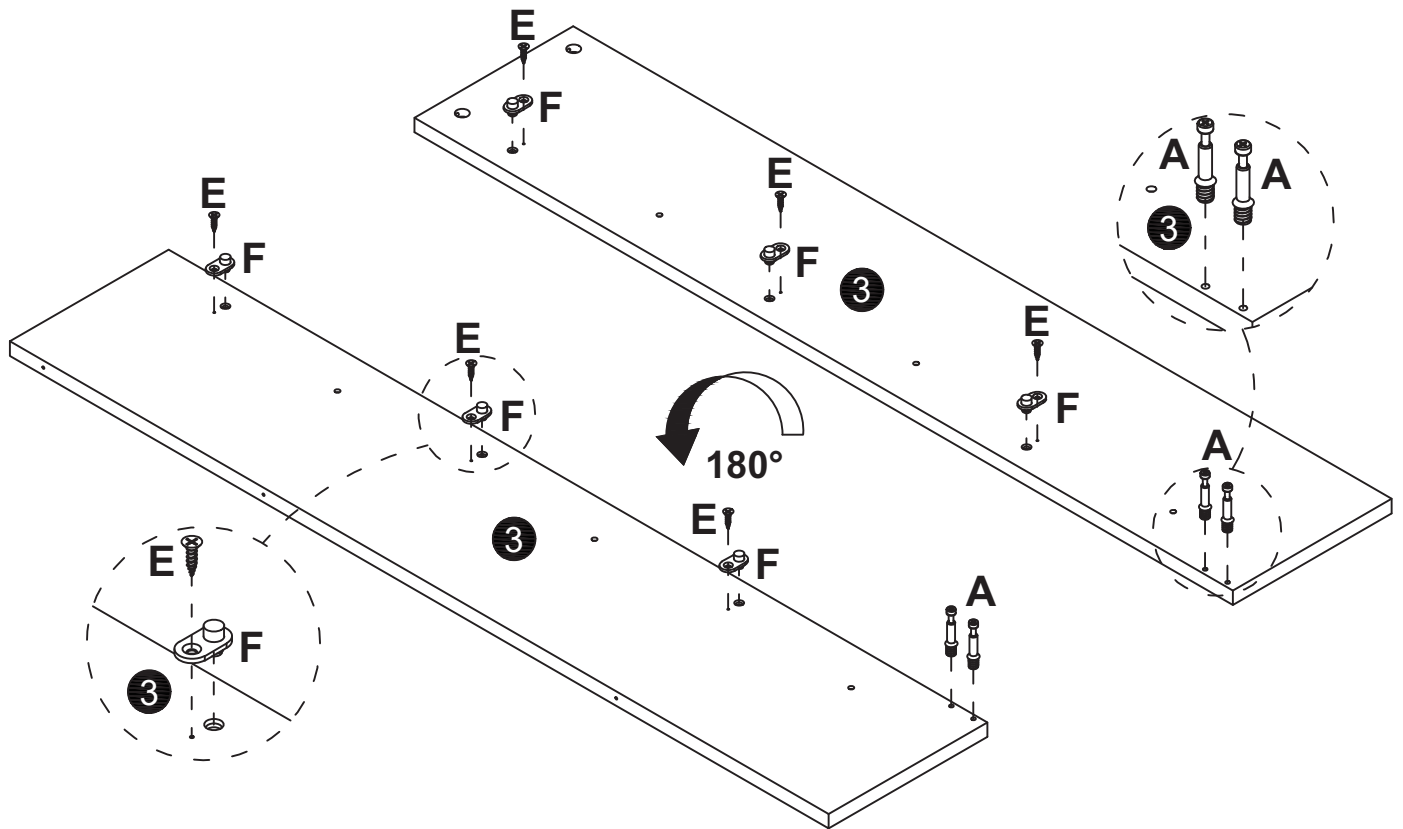
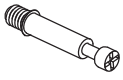
**01**



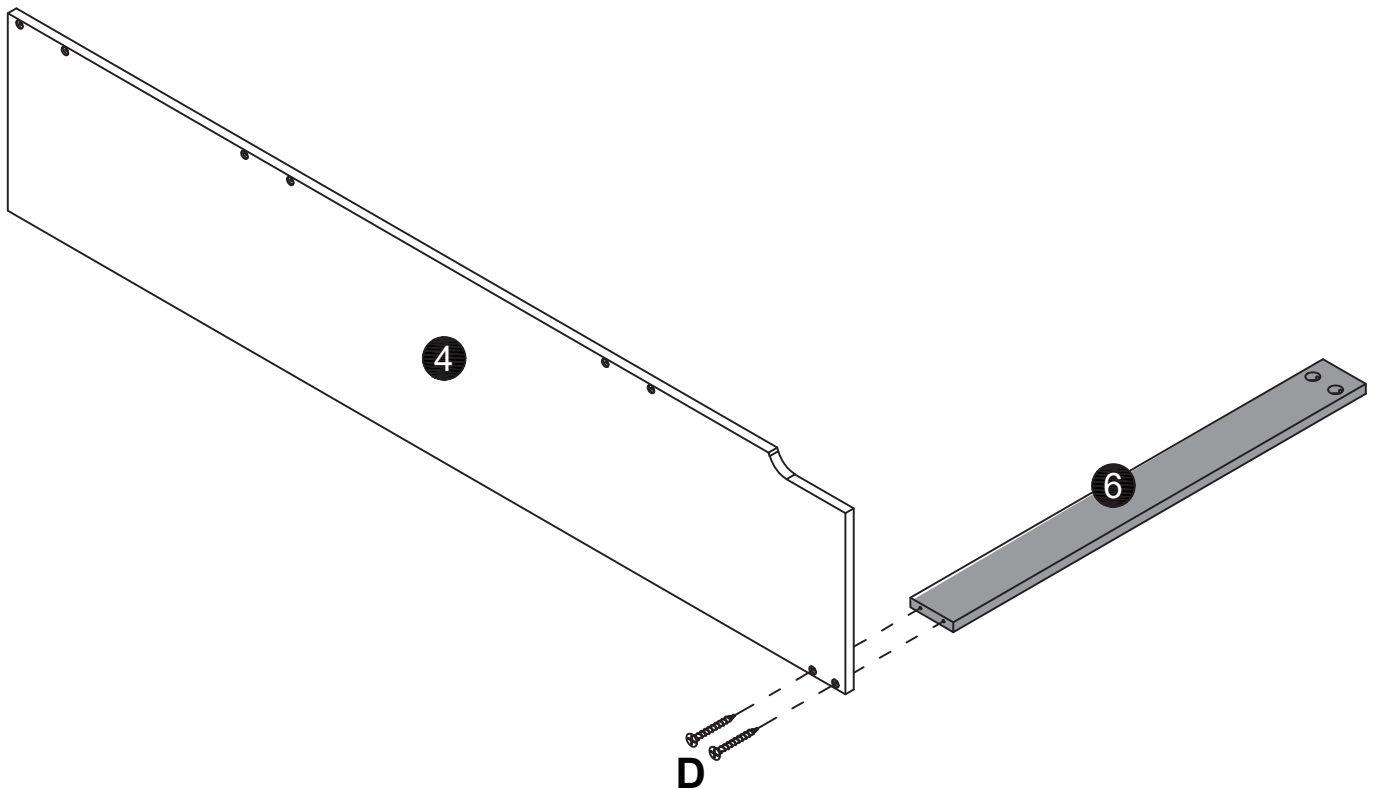
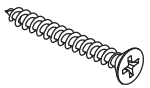
A x4

E x6

F x6

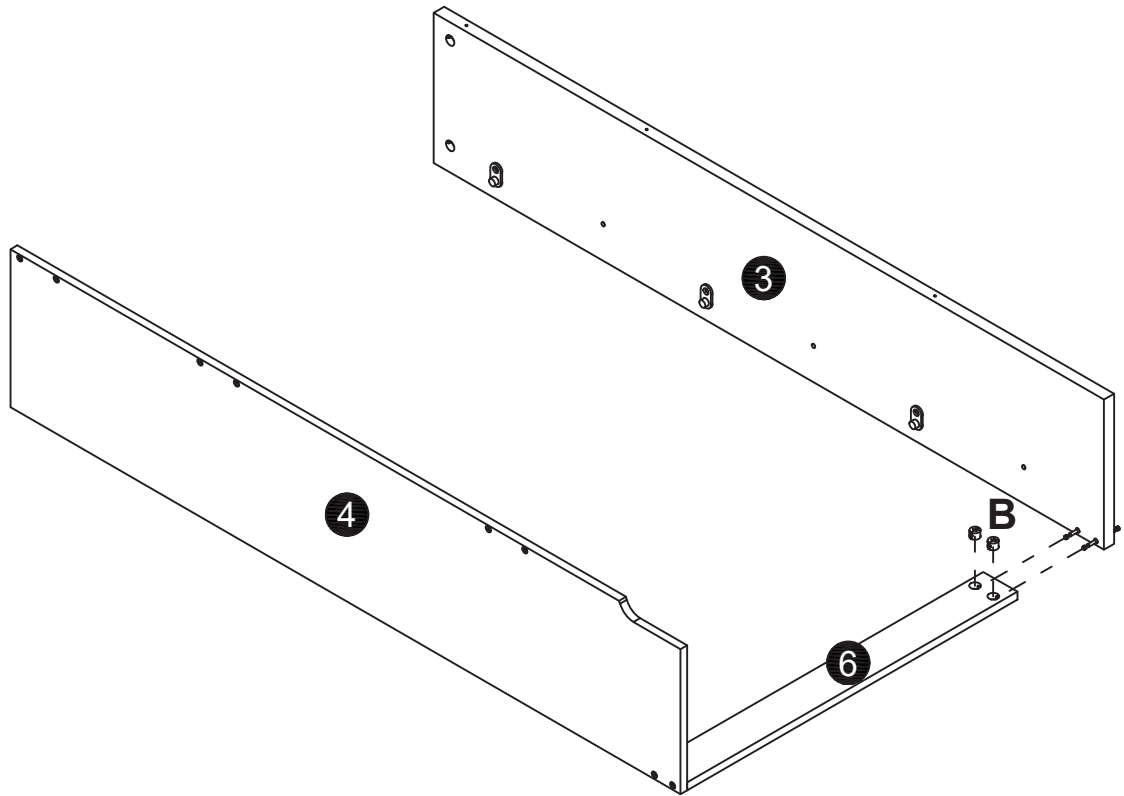


D x2



B x2

04

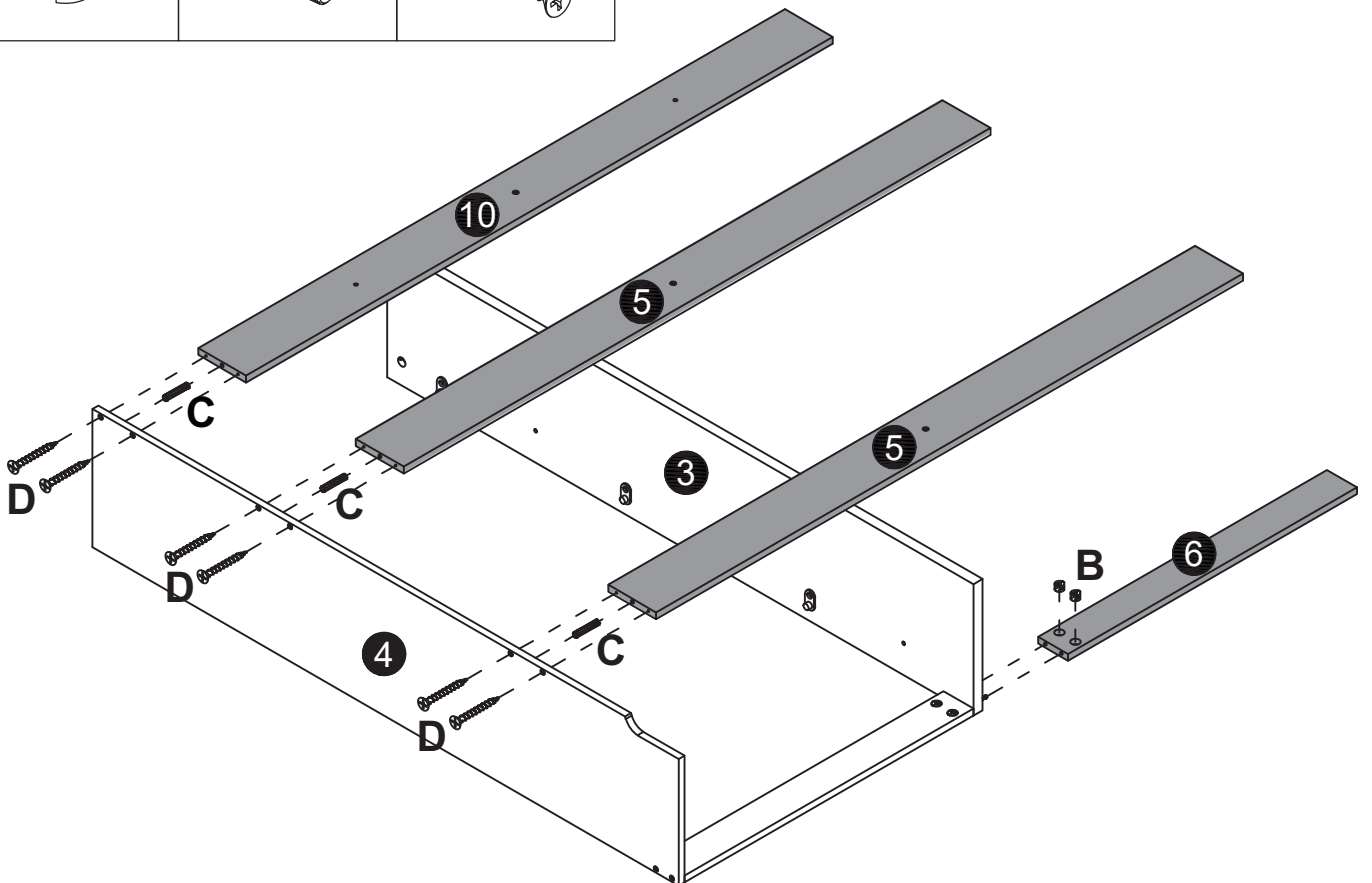
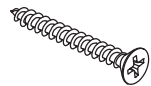


B x2

C x3

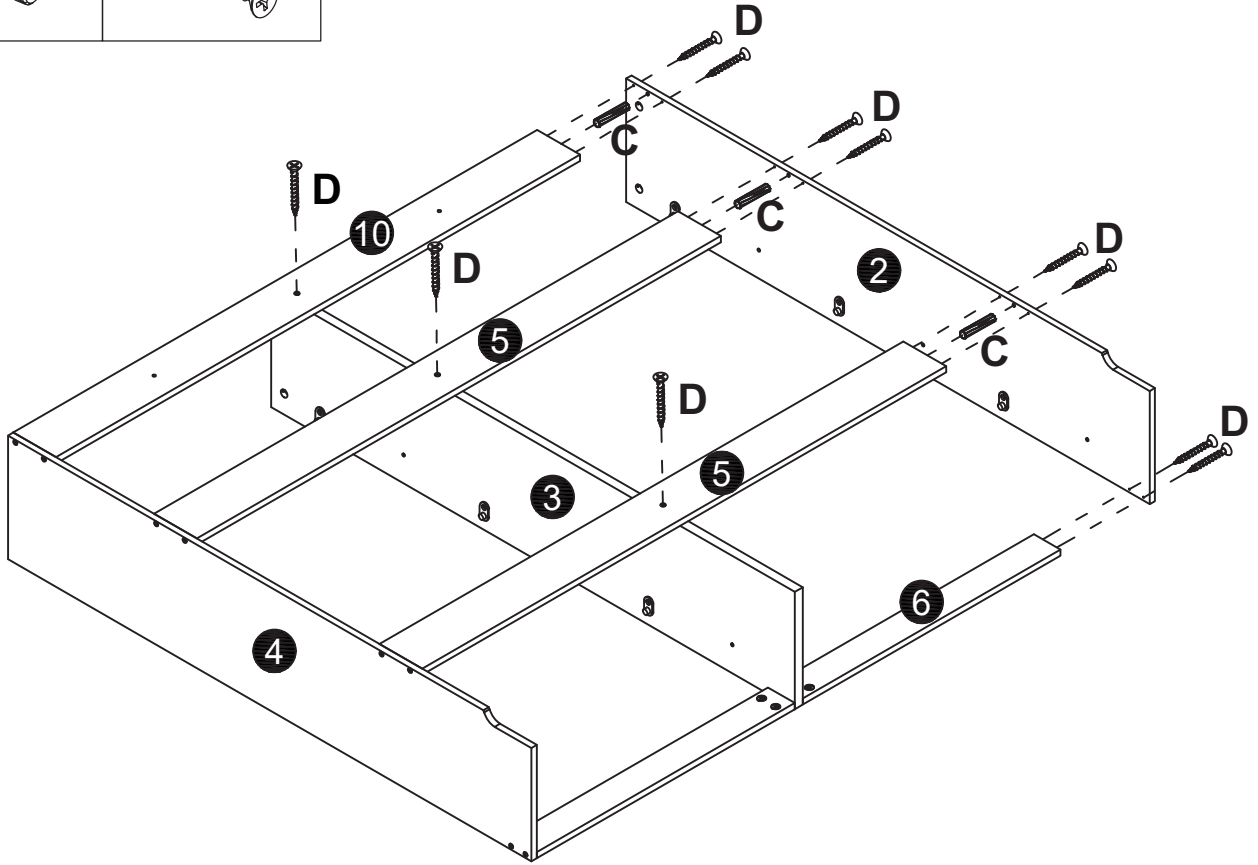
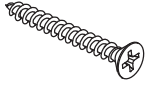
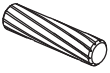
D x6

05

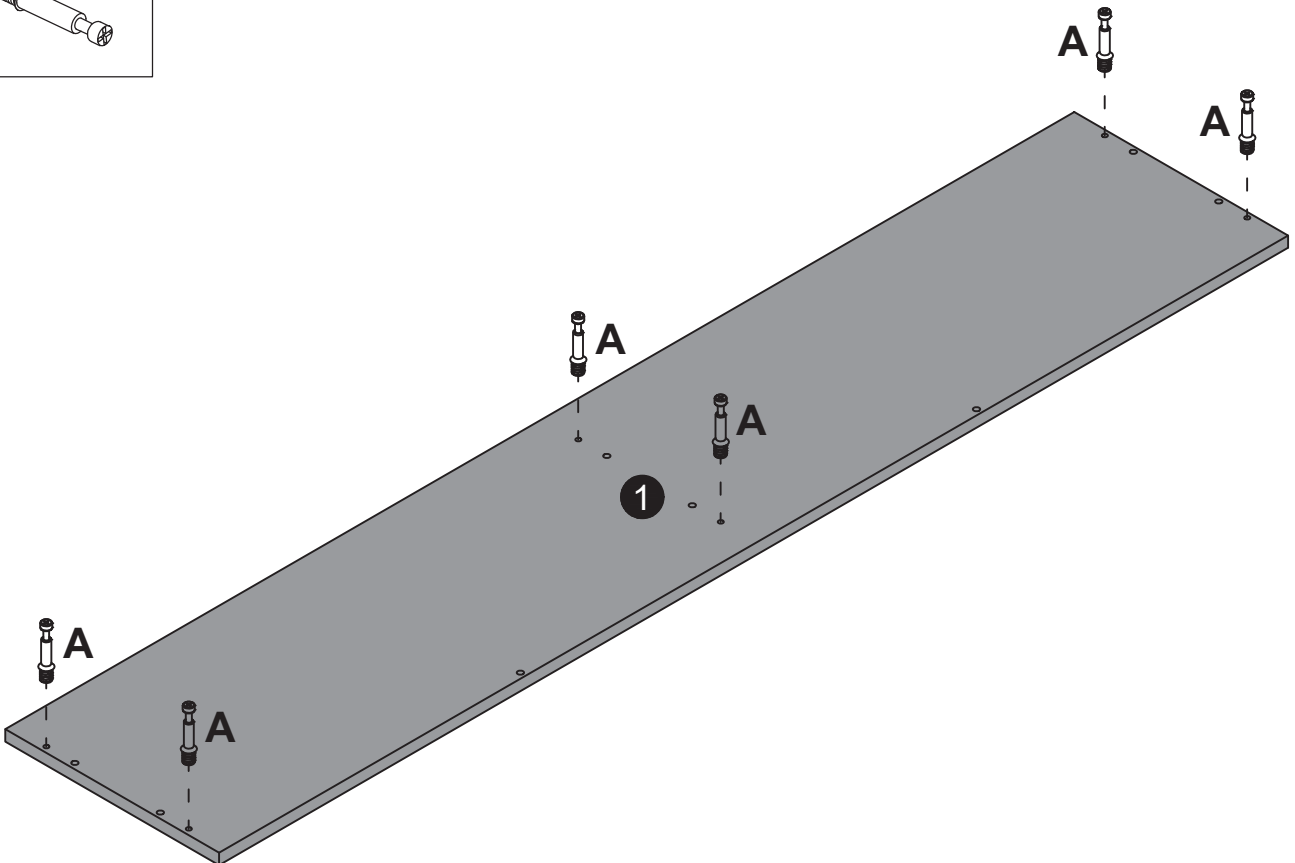
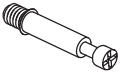


C x3

D x11

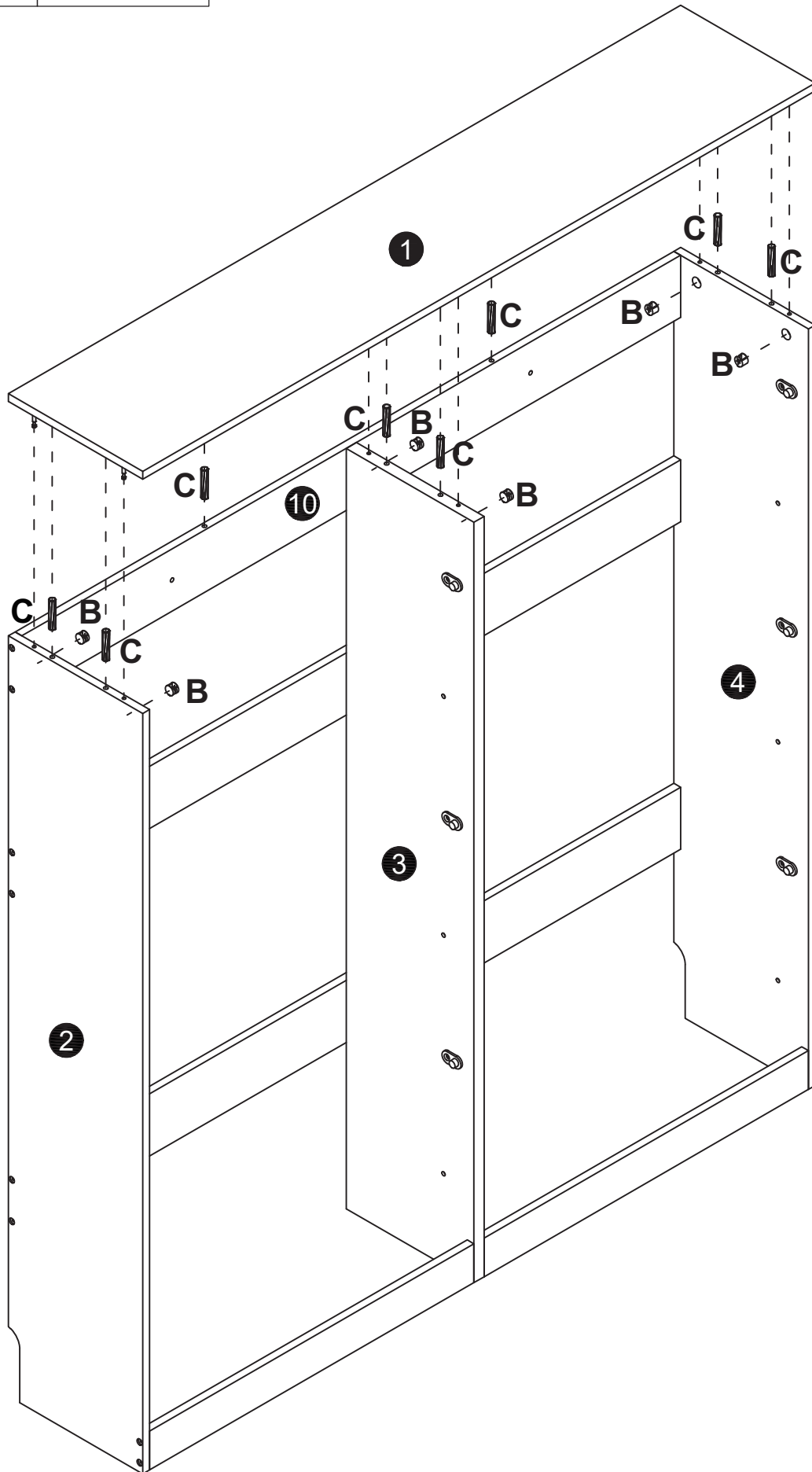
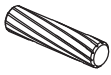


A x6



B x6

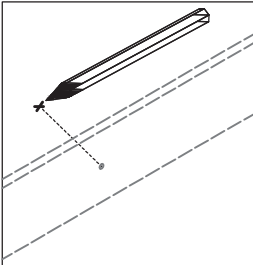
C x8



K x2



M x2



First fix the anti-rewind screw in the reserved hole of the product.

(1)x2

WALL

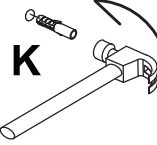
+  
drilling hole  
Ø6x30mm

(2)x2



Then use a tape drill to make holes in the wall that are suitable for the product screws.

WALL



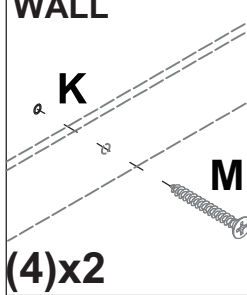
(3)x2

WALL

K

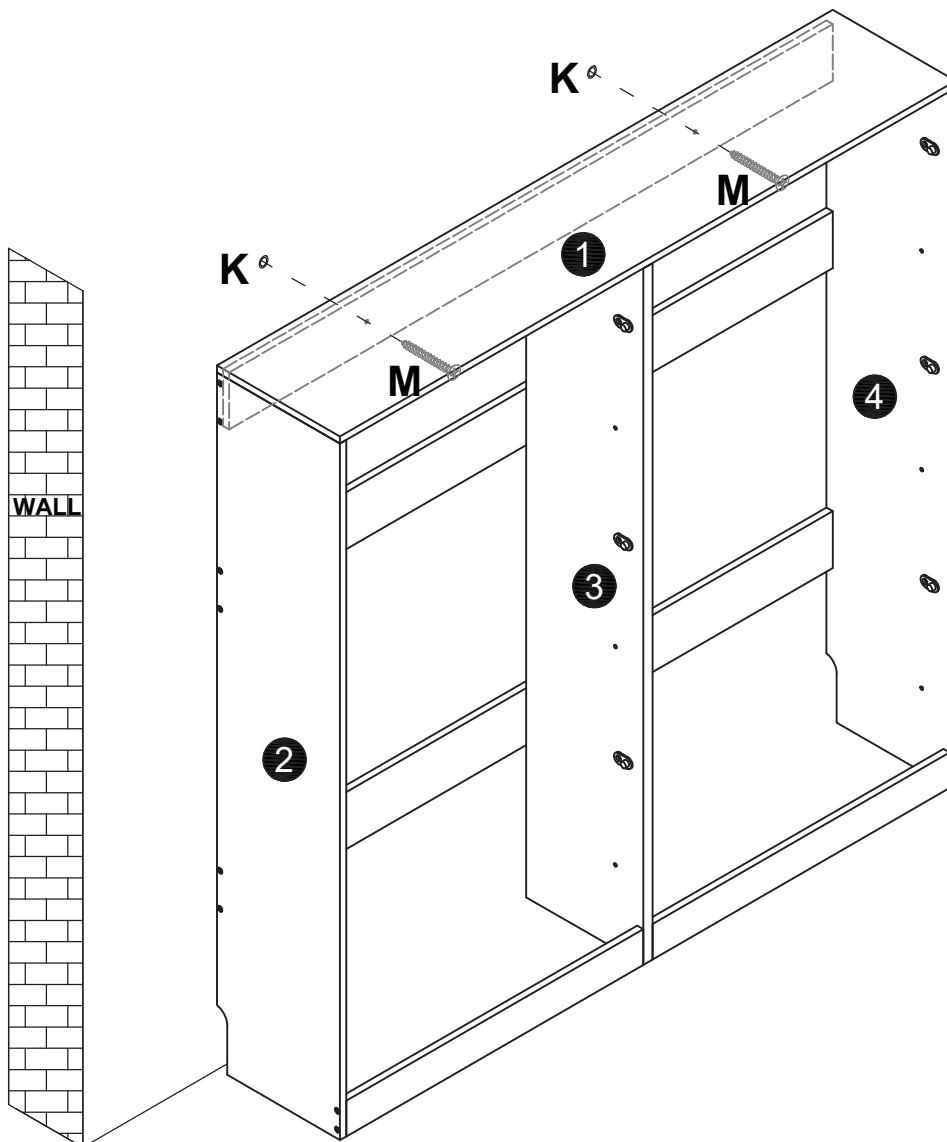
M

(4)x2



Then, put the expansion bolt into the hole

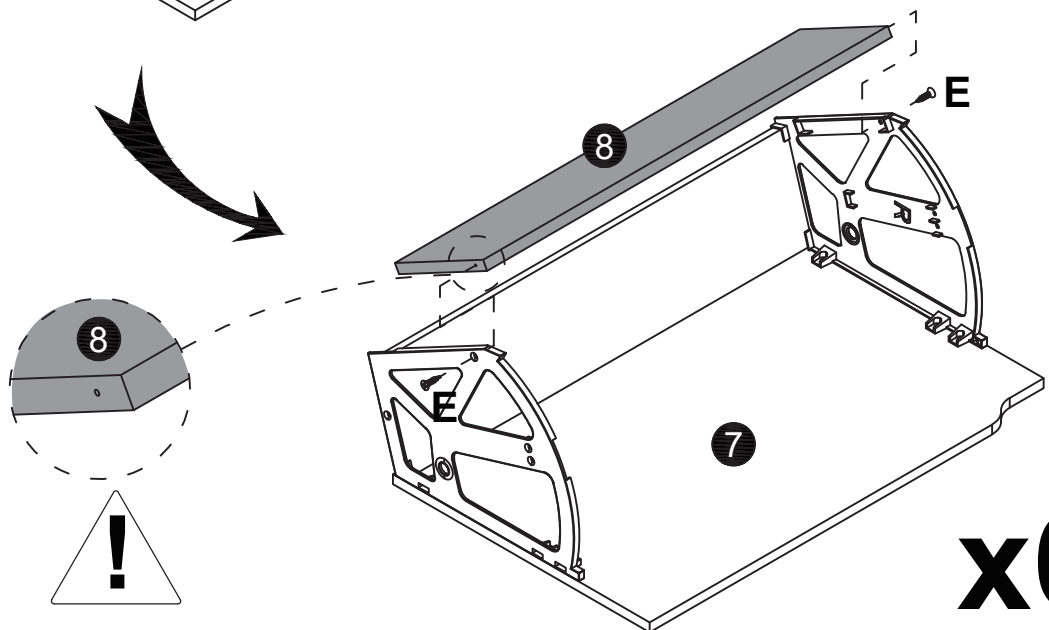
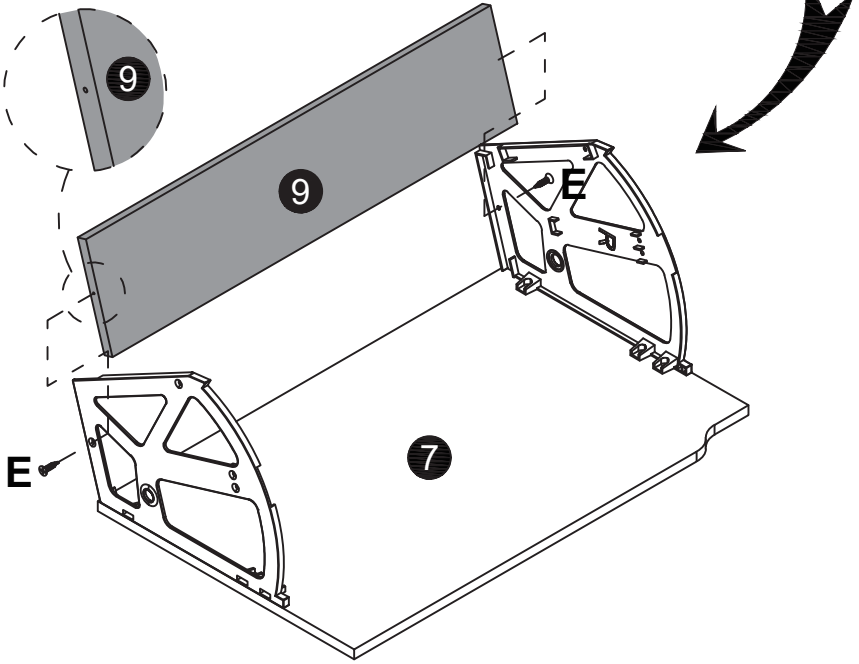
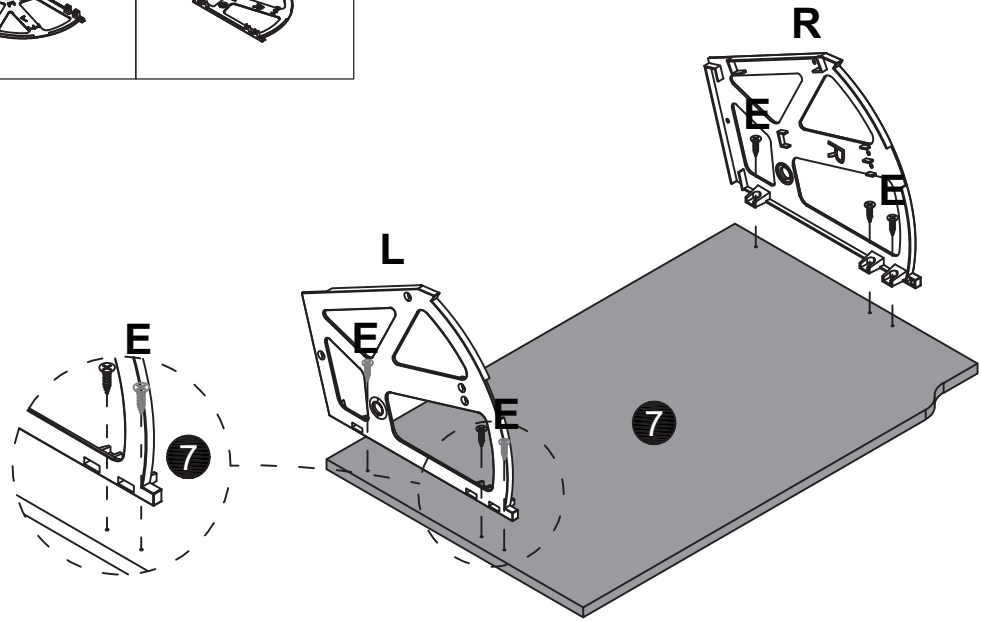
Finally, pass the matching screws through the "anti-rewind" and tighten them to fix them on the wall.



E x60

L x6

R x6



x6

G x12

H x12

I x1

