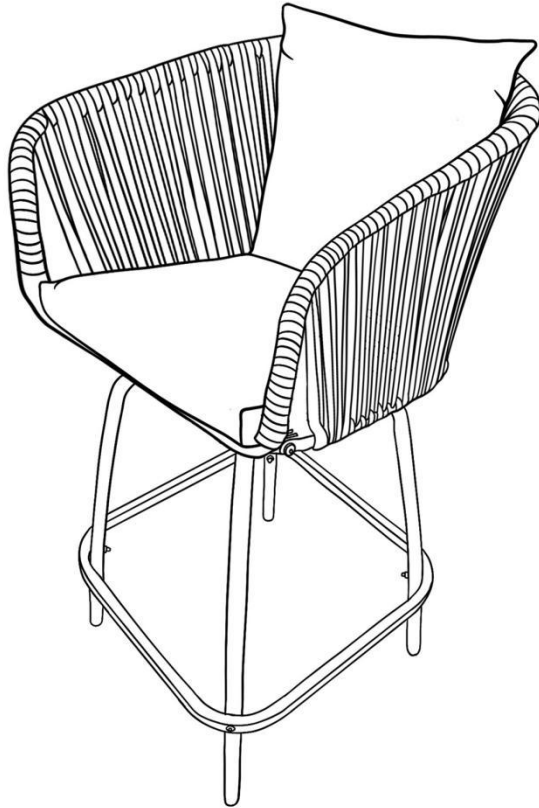

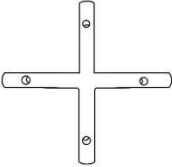




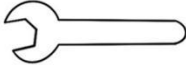
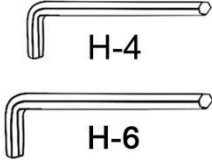




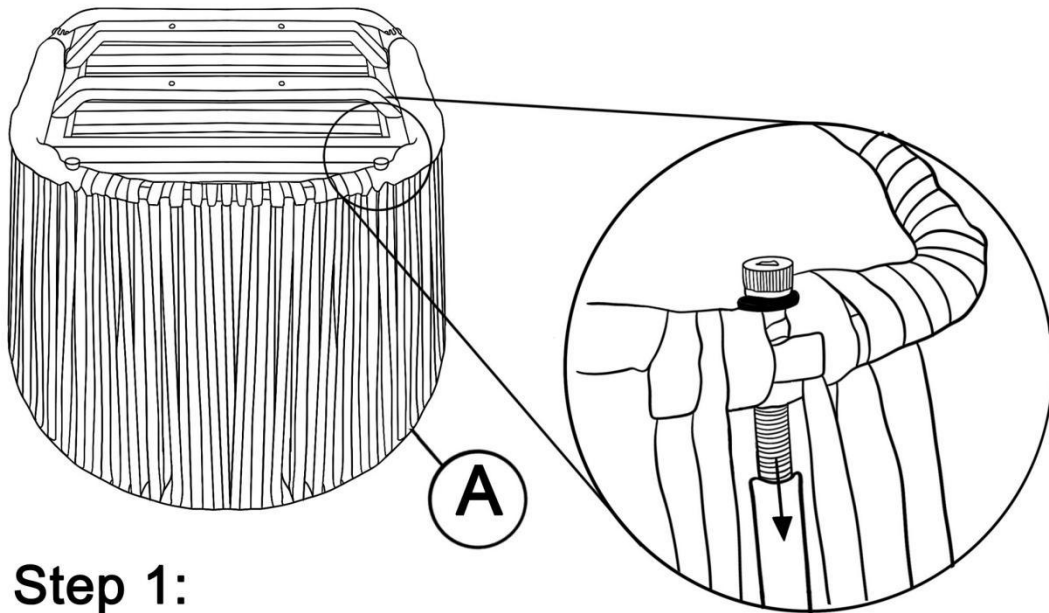
# PATIO BAR CHAIR

**EASY  
ASSEMBLY**  
Assemble in  
**15 minutes  
or less**



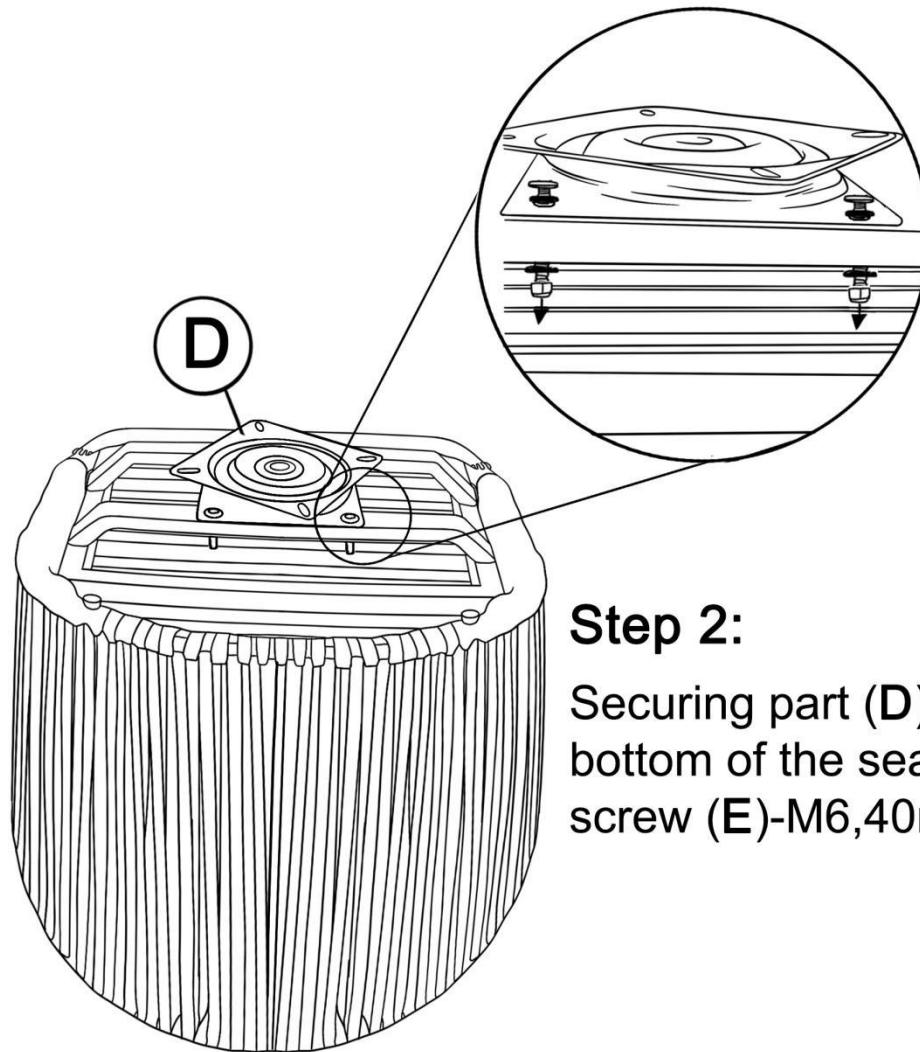
# Accessories List

									
<b>A</b>	<b>1</b>	<b>B</b>	<b>1</b>	<b>C</b>	<b>4</b>	<b>D</b>	<b>1</b>		
									
M6,40mm		M8,80mm		M6,50mm					
<b>E</b>	<b>8</b>	<b>F</b>	<b>2</b>	<b>G</b>	<b>4</b>	<b>H</b>	<b>1</b>		
 M-6		 H-4 H-6							
<b>I</b>	<b>1</b>	<b>J</b>	<b>2</b>	<b>K</b>	<b>1</b>	<b>L</b>	<b>1</b>		



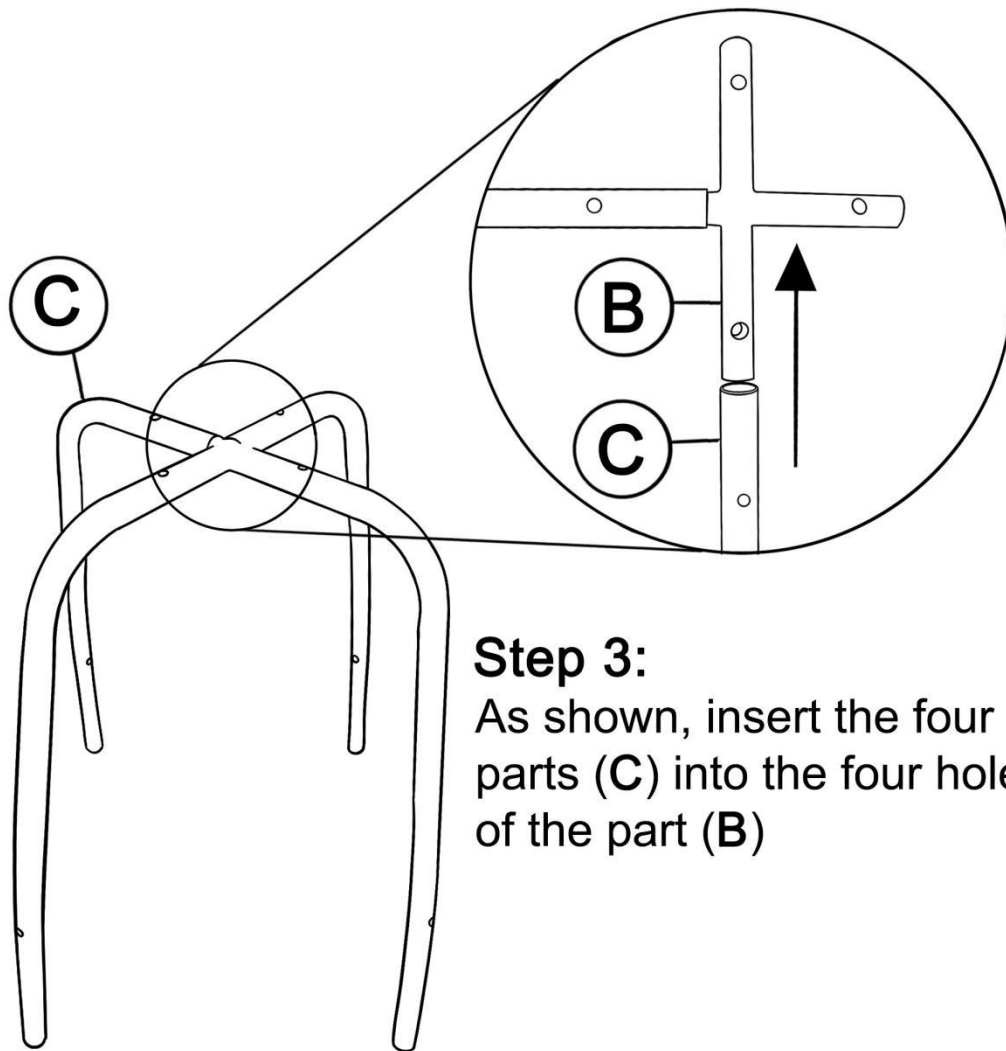
### Step 1:

Turning over part (A) and fix  
the support bar on the seat with  
screw (F)-M8,80mm



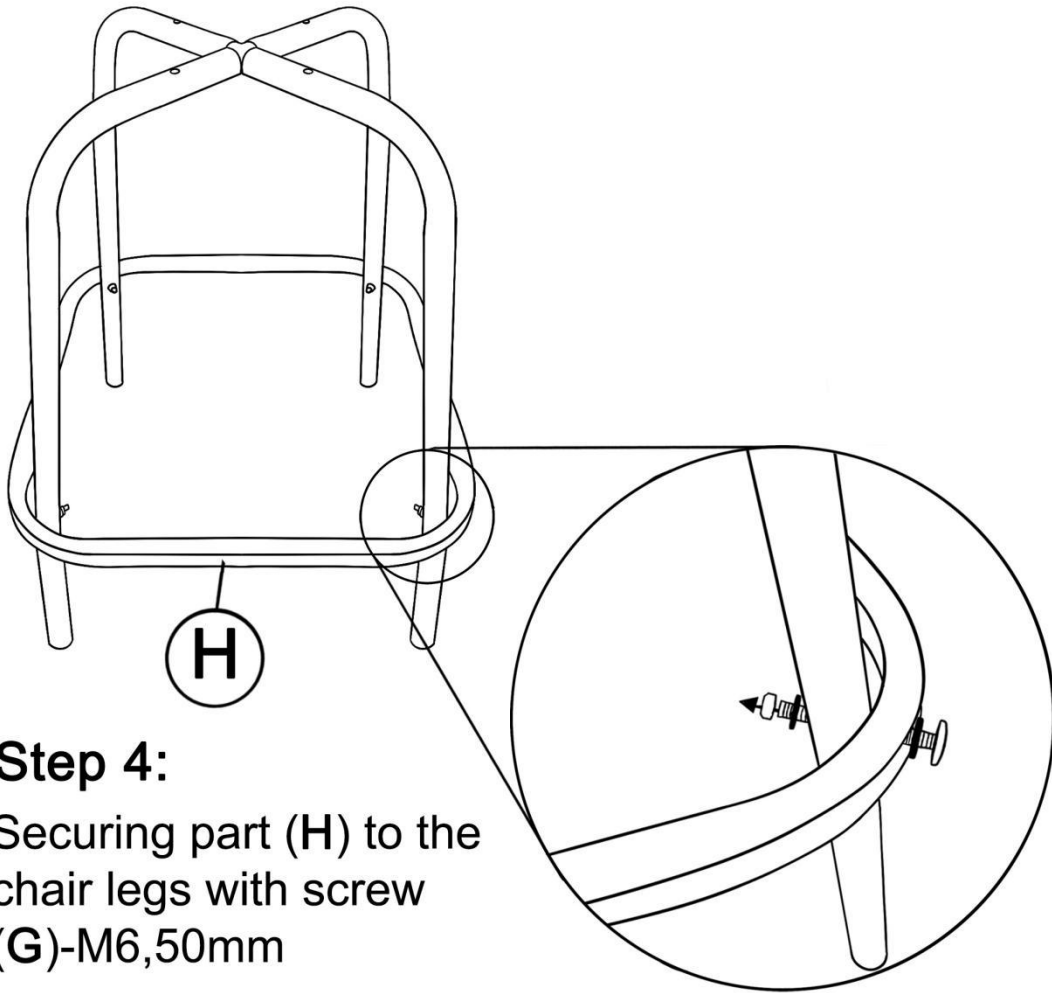
## Step 2:

Securing part (D) to the bottom of the seat with screw (E)-M6,40mm



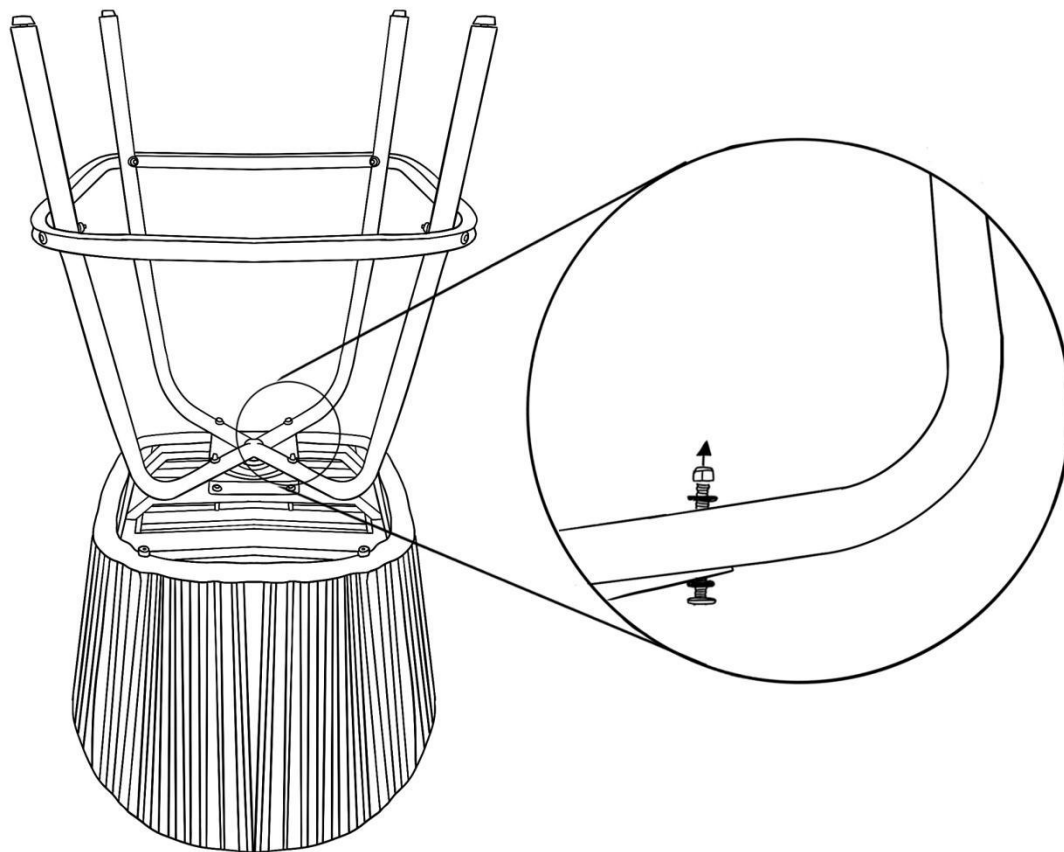
**Step 3:**

As shown, insert the four parts (C) into the four holes of the part (B)



**Step 4:**

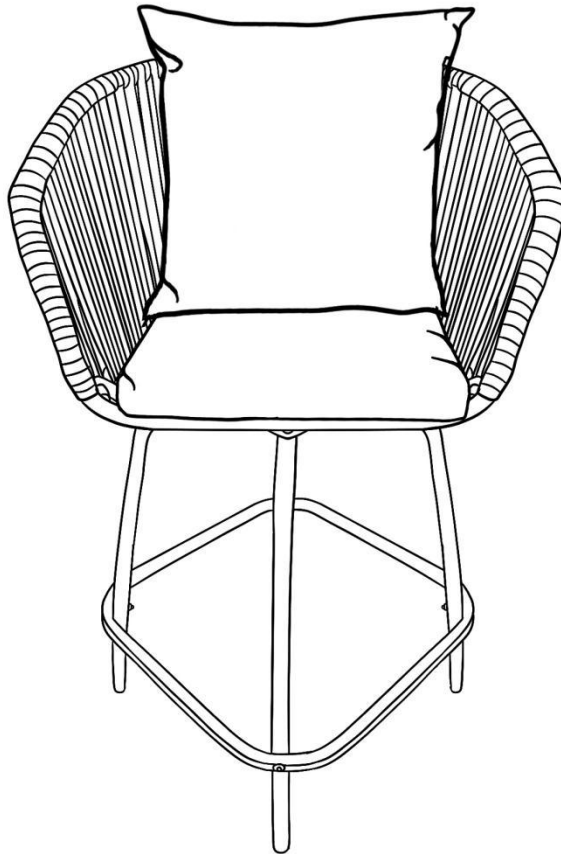
Securing part (H) to the chair legs with screw (G)-M6,50mm



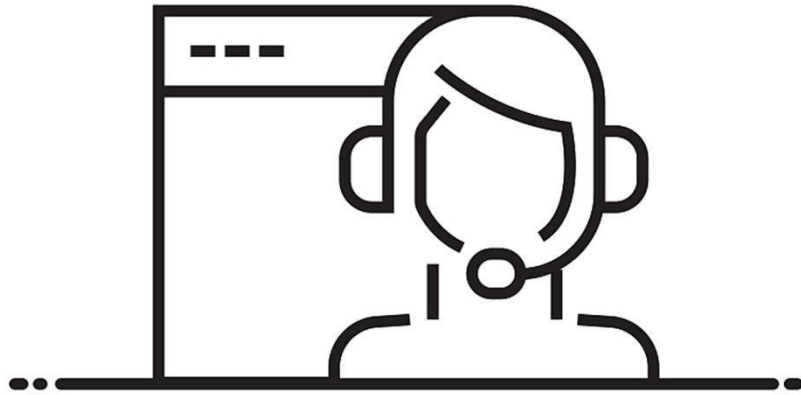
**Step 5:**  
Securing the chair legs assembly  
to the part (D) with screw (E)-M6,40mm

**Step 6:**

Put the cushions on, and finish the assembly!



# ONLINE SUPPORT



Please read the installation guide carefully before installation  
If you have any questions during the installation process  
you can contact us and we will provide you a detailed guidance