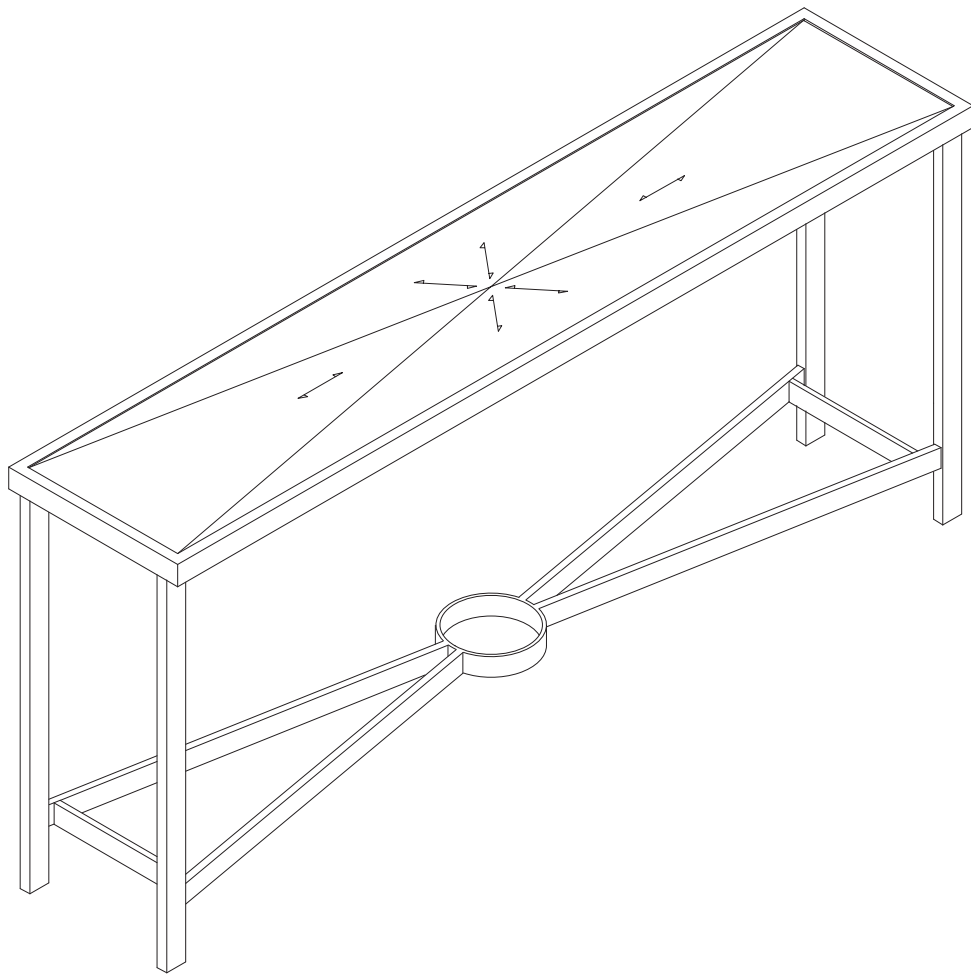
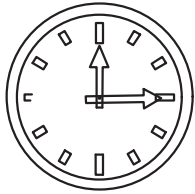


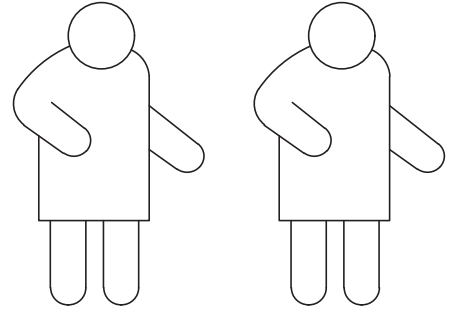
# Assembly Instructions

## CONSOLE TABLE

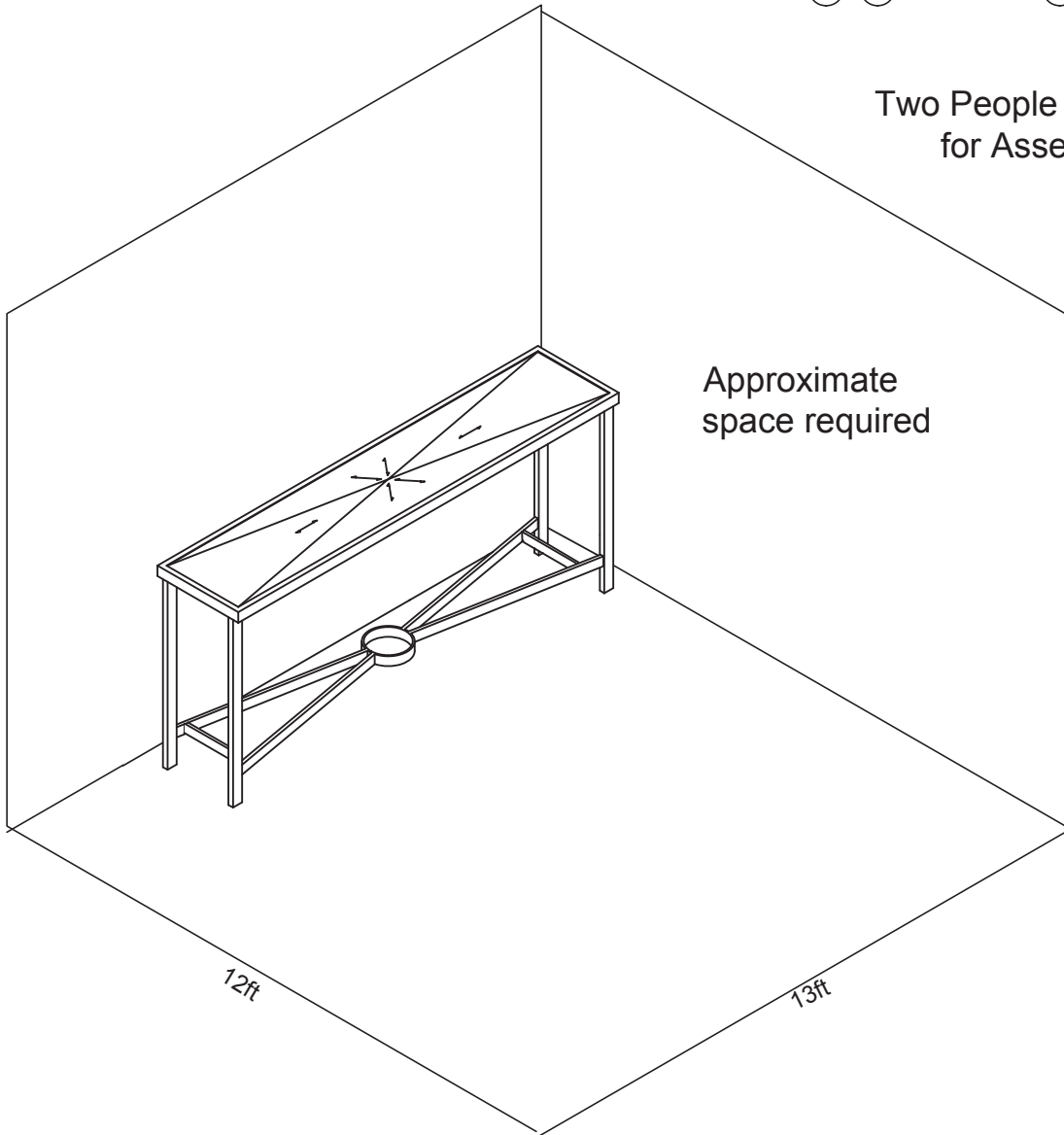




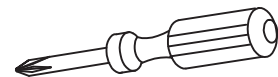
15 min



Two People Required  
for Assembly



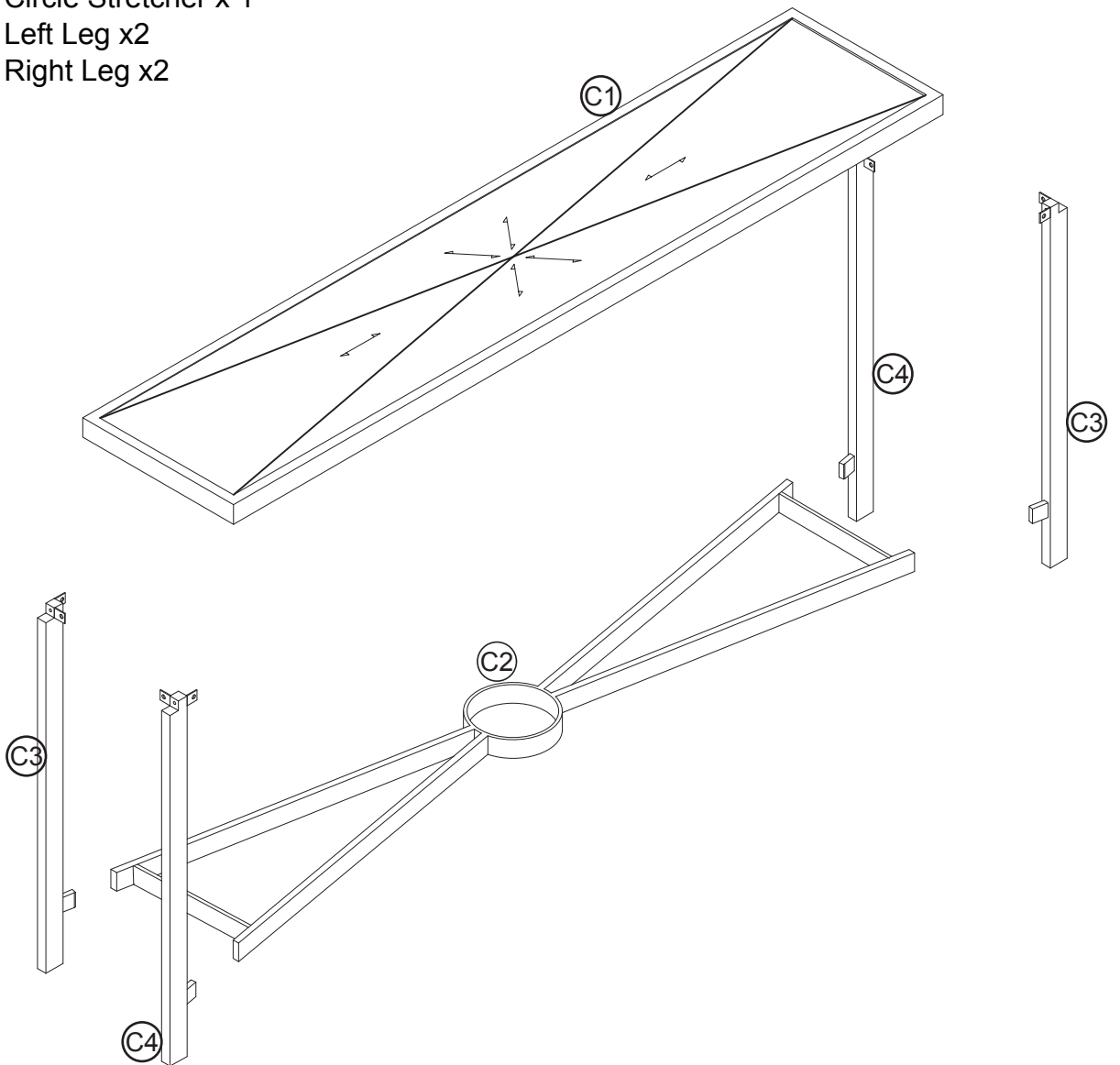
Do Not Use Power Tools



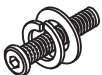

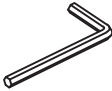
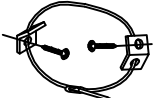
Phillips Head (not provided)

## PARTS INCLUDED

- (C1) Top table x 1
- (C2) Circle Stretcher x 1
- (C3) Left Leg x2
- (C4) Right Leg x2



Hardware Pack is located in the carton's 8150144

<p>A</p>  <p>Ø6x16(mm) : 8pcs</p>	<p>B</p>  <p>Ø6x16(mm) : 4pcs</p>	<p>C</p>  <p>Ø4mm. 1pc</p>
<p>D</p> 		

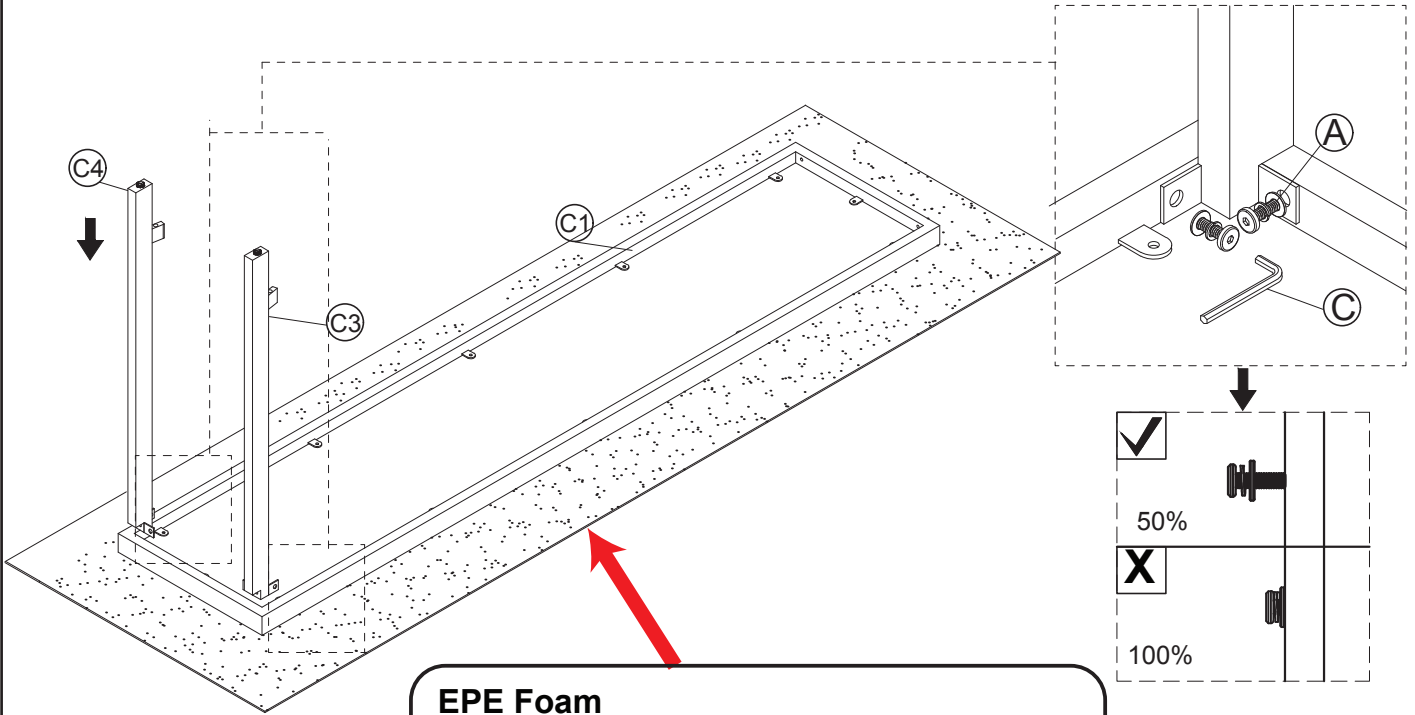
ANTI-TIP SET

1

A x 4

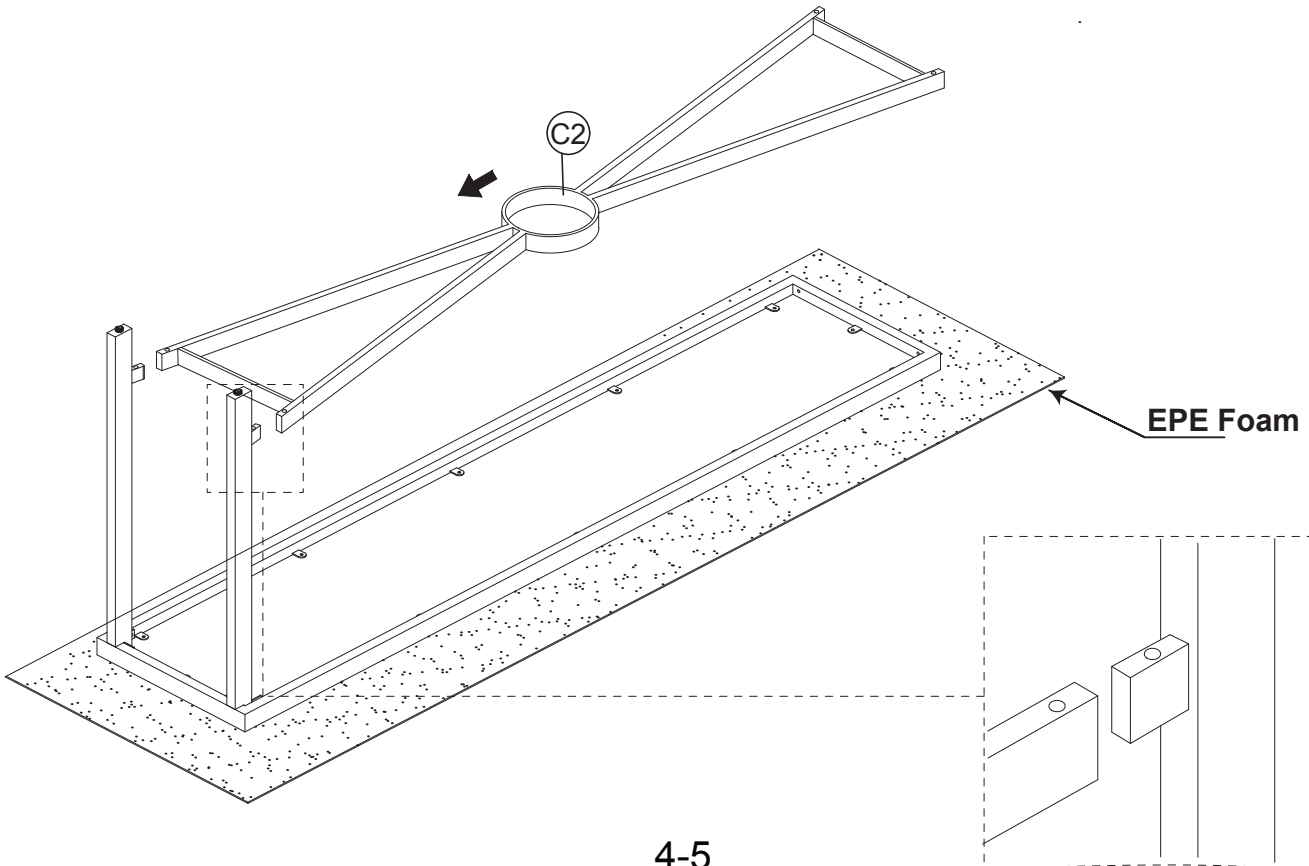


C x 1



**EPE Foam**  
Please lay all components on smooth flat surface to prevent scratches.

2



3

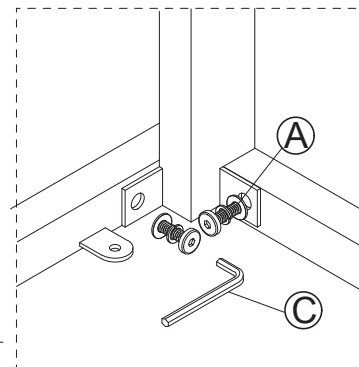
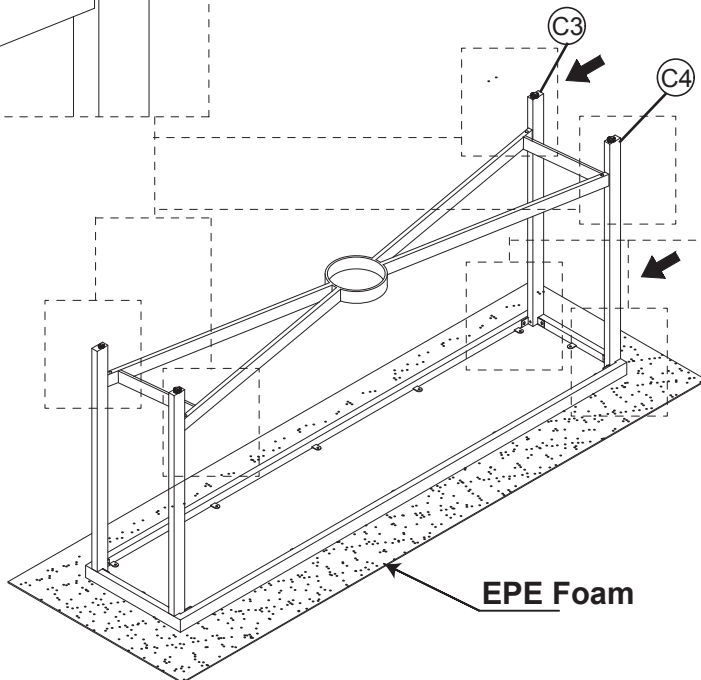
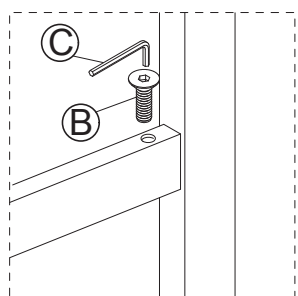
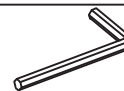
A x 4



B x 4



C x 1



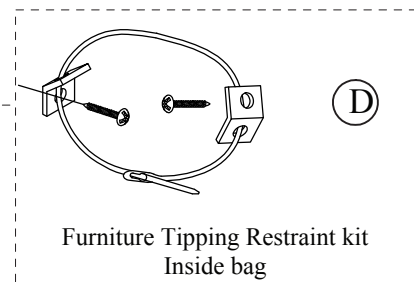
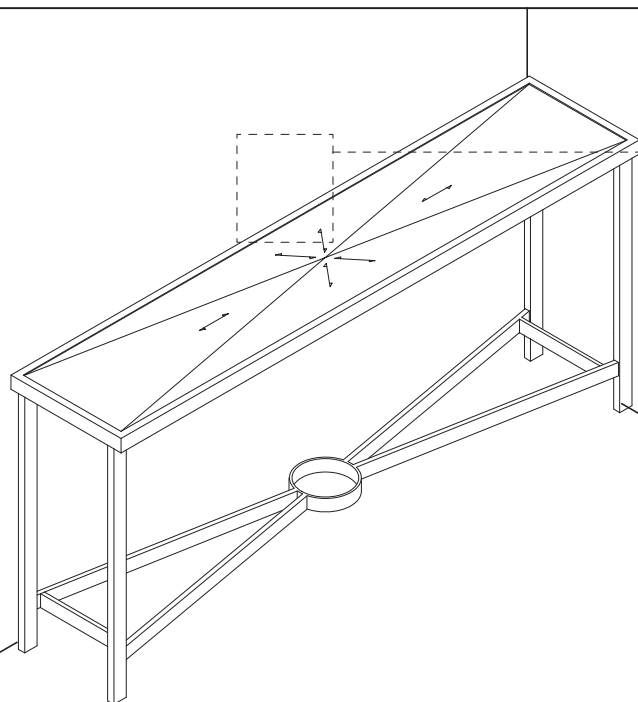
100%



100%

4

DX1



Furniture Tipping Restraint kit  
Inside bag