

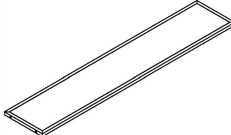
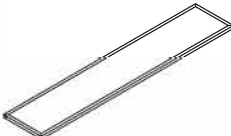
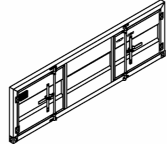
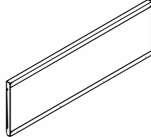
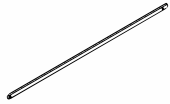
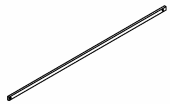
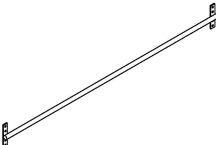



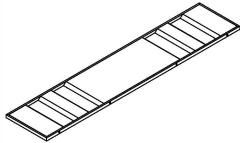
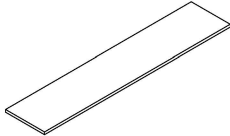
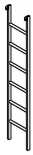

ASSEMBLY INSTRUCTIONS

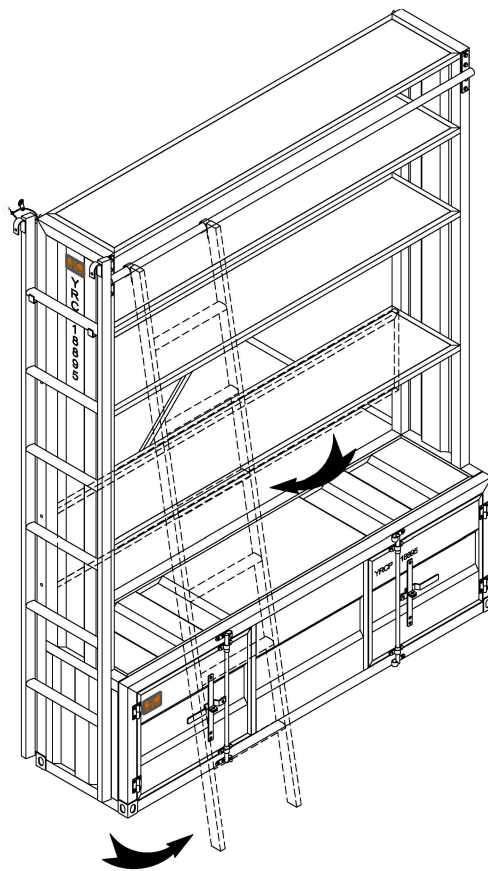
MODEL : BM207449 Container Shape Shelf

Thank you for purchasing this quality product. Be sure to check all packing materials carefully for small parts which may have come loose inside the carton during shipment. Separate, identify, and count all parts and metal hardware. Compare with parts list to be sure all parts are present. If any part(s) are missing or damaged, please contact your local furniture dealer. For efficient and speedy service, please indicate the model number and code letter of the part(s) needed.








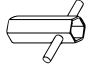




***** Do not fully tighten screws until fully assembled *****

COMPONENT PARTS			
DECERPTION	PART NAME		Q'TY(PCS)
1	Left plate	 Left	1pc
2	Right plate	 Right	1pc
3	Top plate for shelf		1pc
4	Layer plate for shelf		3pcs
5	Front frame		1pc
6	Back frame		1pc
7	Cross tube	 Long	2pcs
8	Cross tube	 Short	2pcs
9	Tube		1pc

10	Cross plate		1pc
11	Top plate for TV stand		1pc
12	Bottom plate for TV stand		1pc
13	Ladder		1pc
14	L plate		2pcs



HARDWARE REQUIRED:

A		Bolt 1/4"x3/8" - 4pcs
B		Bolt 1/4"x5/8" - 8pcs
C		Bolt 1/4"x3/4" - 12pcs
D		Bolt 1/4"x1-3/8" - 4pcs
E		Bolt 1/4"x2-1/8" - 12pcs
F		Allen Wrench M4 - 1pc
G		Bolt 1/4"x5/8" - 8pcs
H		Socket Wrench M6 - 1pc
I		Screw M4 - 1pc
J		Metal Plate - 2pcs
K		Anchor - 1pc
L		Girding - 1pc

Attention:

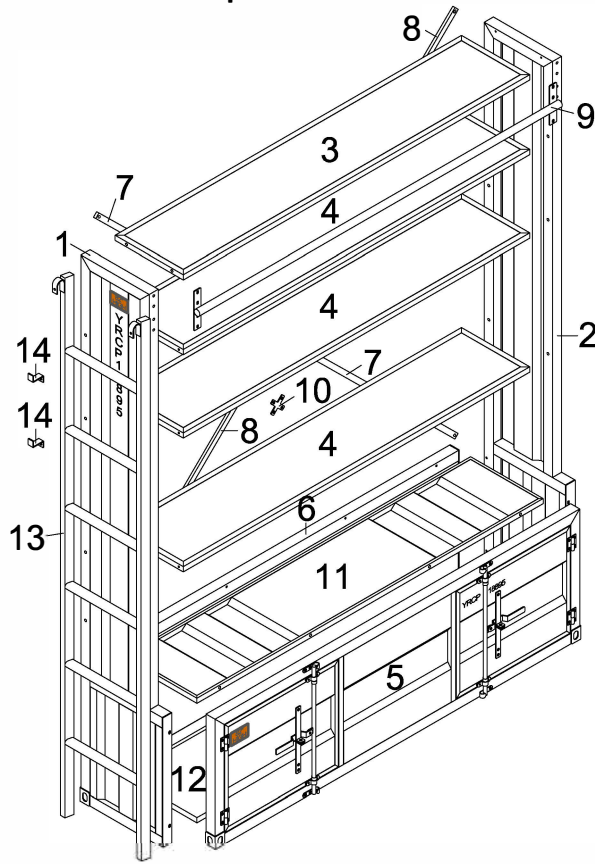
***Mattresses not included.

***Some number parts listed on the instruction sheet may not be in parts bag as they may already be assemble.
Carefully check parts and packing materials prior to ordering replacements.

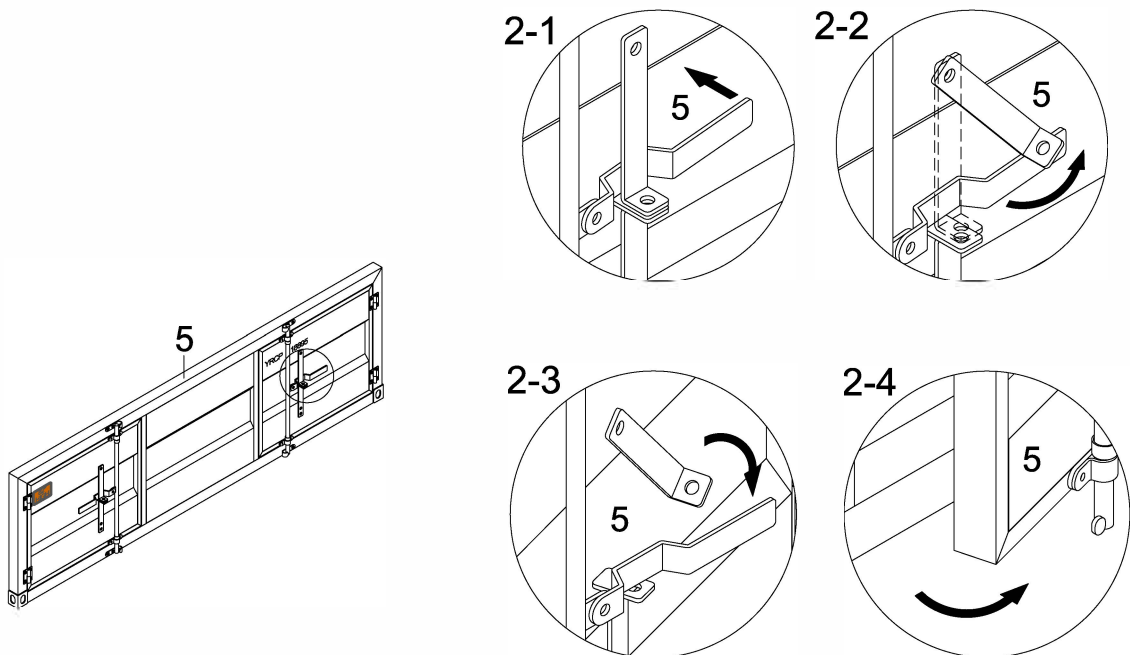
How to Assemble:

STEP 1.

Exploded View

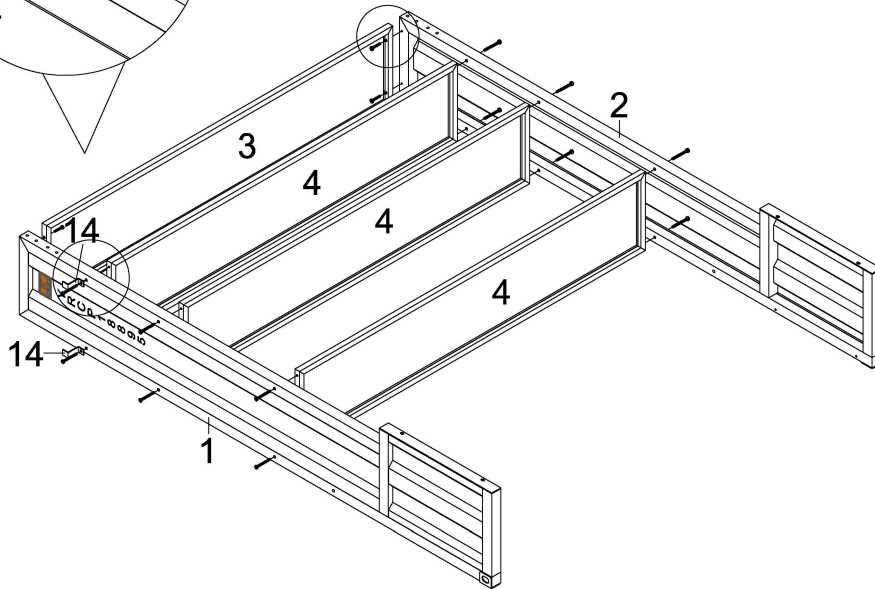
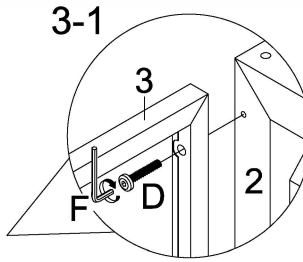
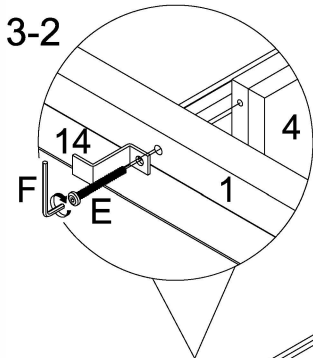




STEP 2.



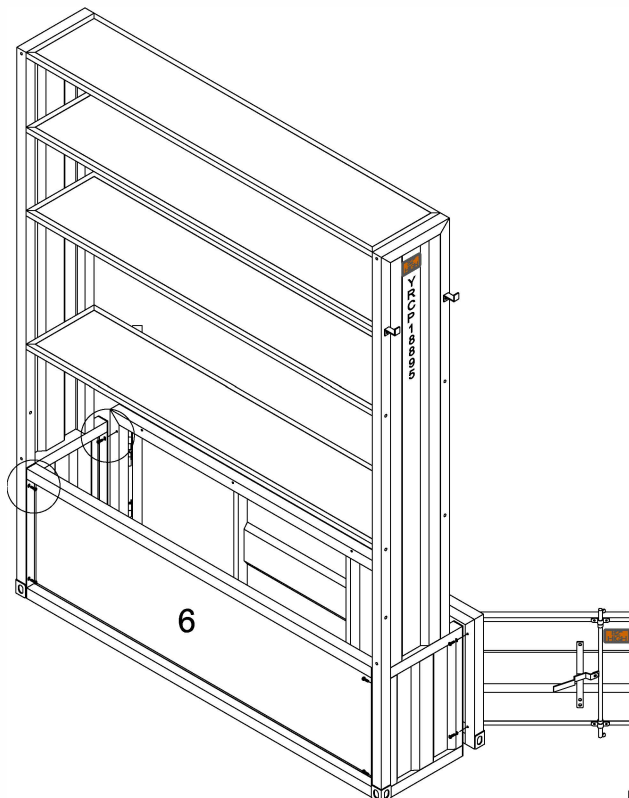
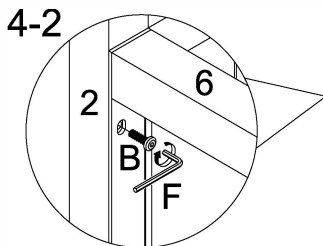
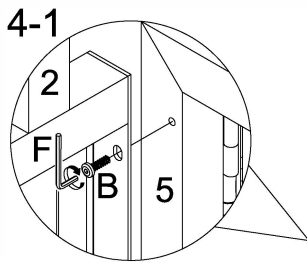
How to Assemble:

STEP 3.



D		4pcs
E		12pcs

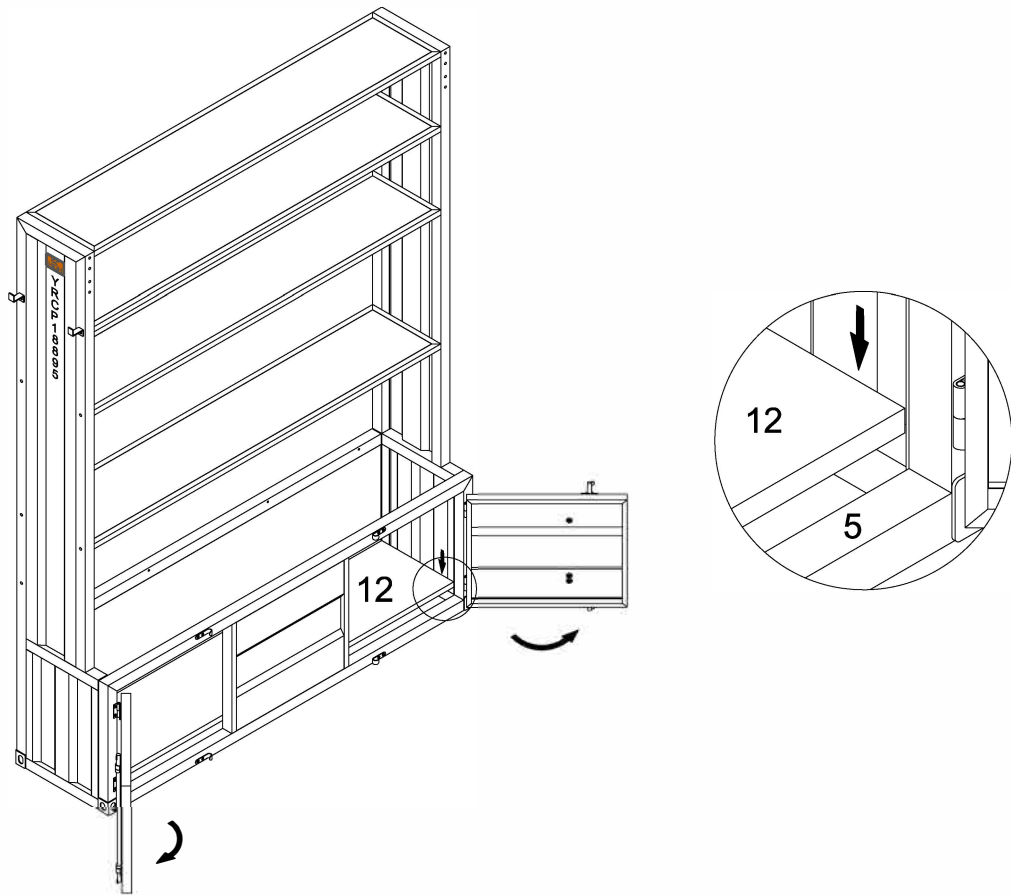
STEP 4.



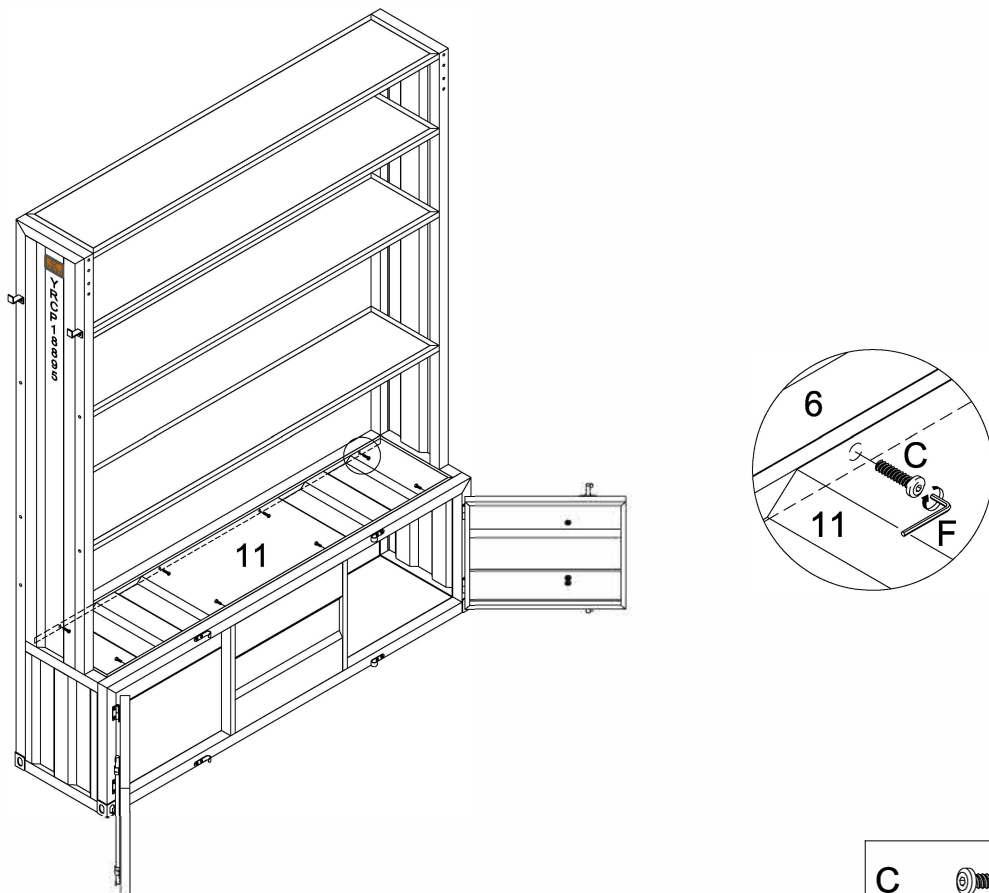
B		8pcs
---	---	------

How to Assemble:

STEP 5.



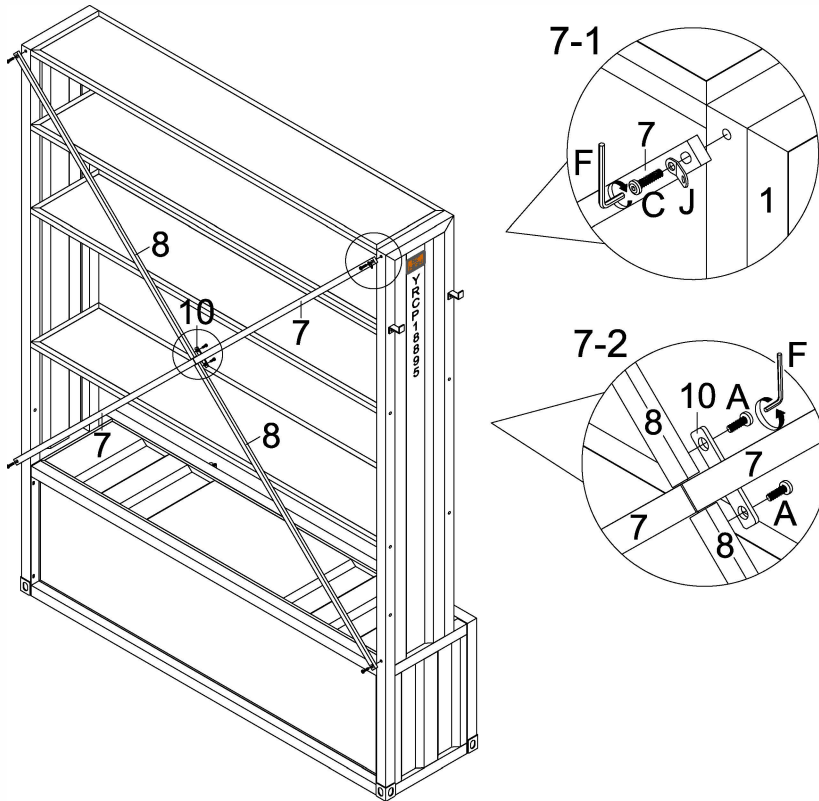
STEP 6.






C  8pcs

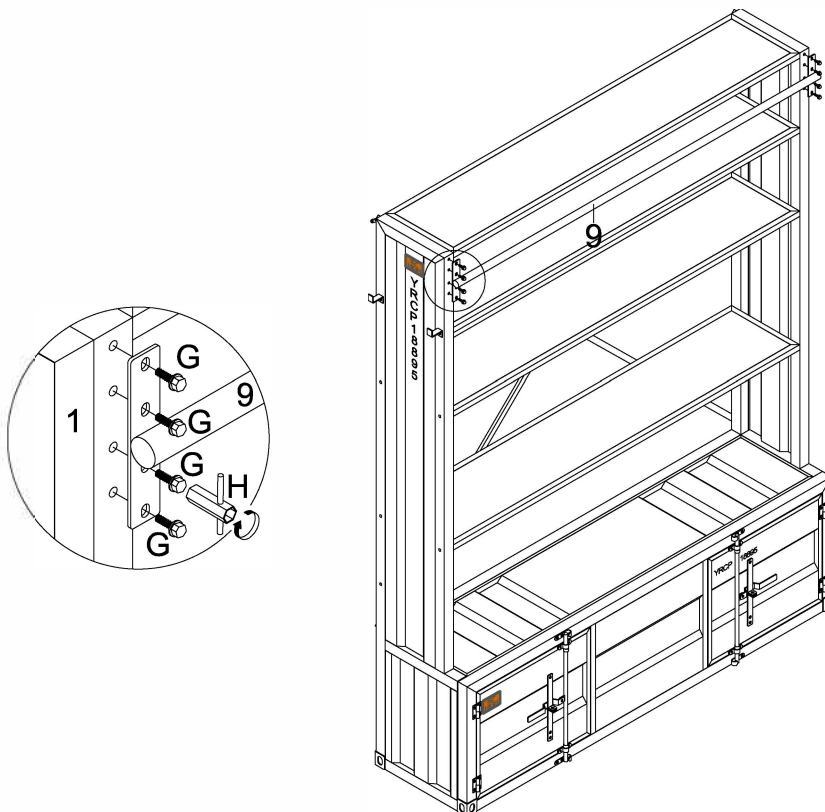
How to Assemble:

STEP 7.



A		4pcs
C		4pcs
J		1pc

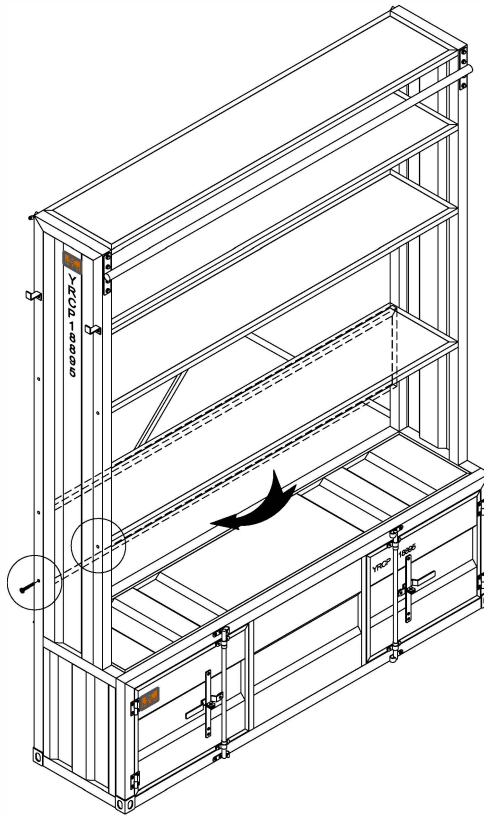
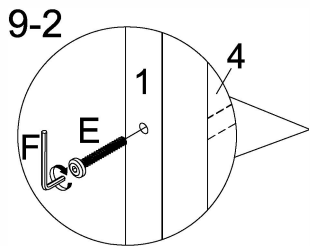
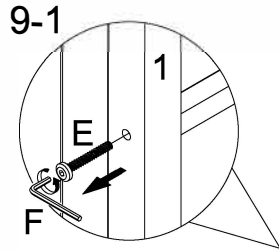
STEP 8.



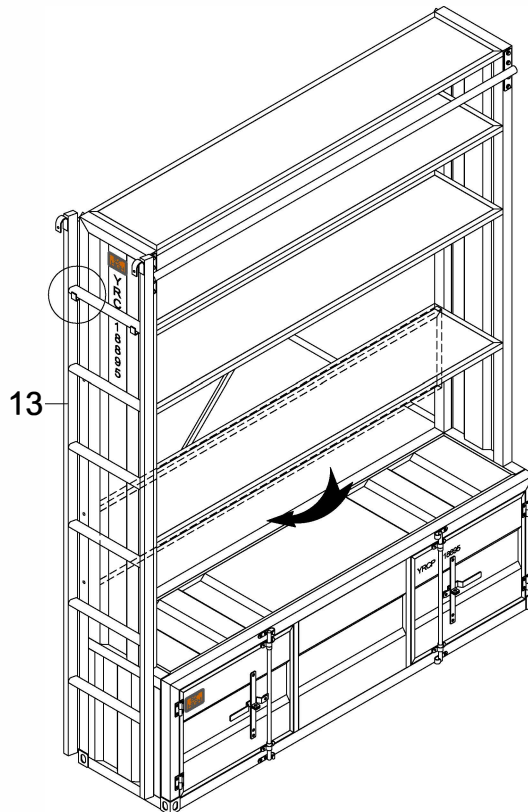
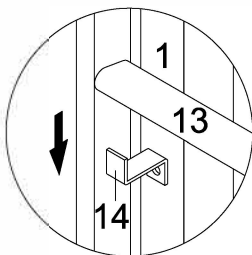
G		8pcs
---	---	------

How to Assemble:

STEP 9.



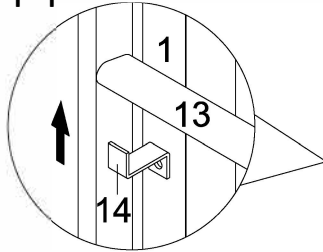
STEP 10.



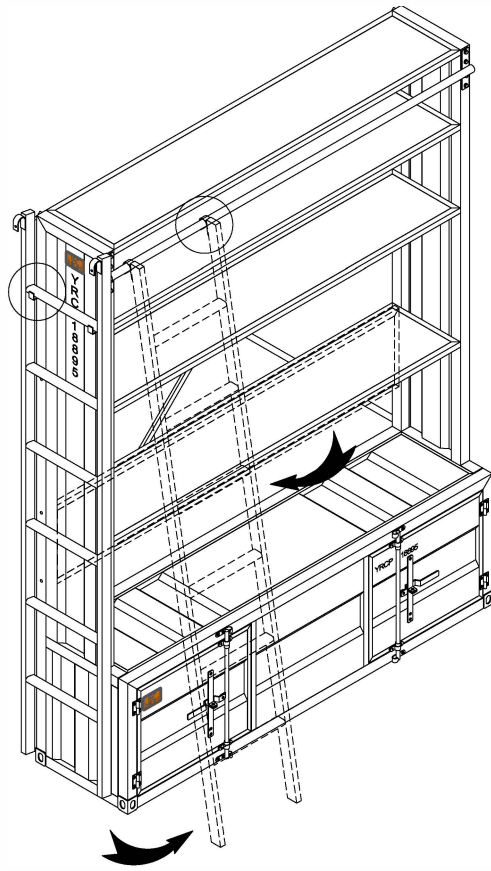
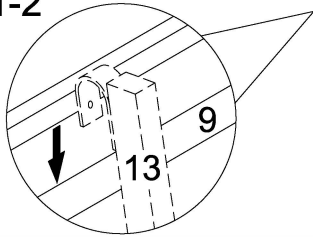
How to Assemble:

STEP 11.

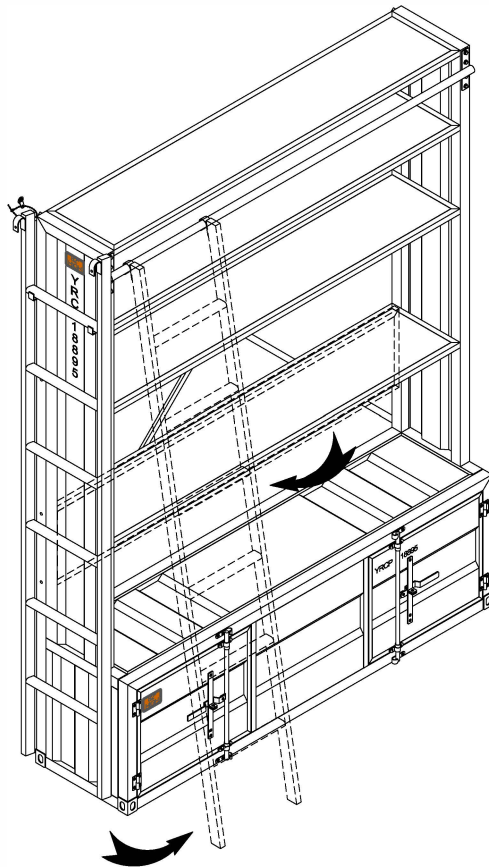
11-1



11-2

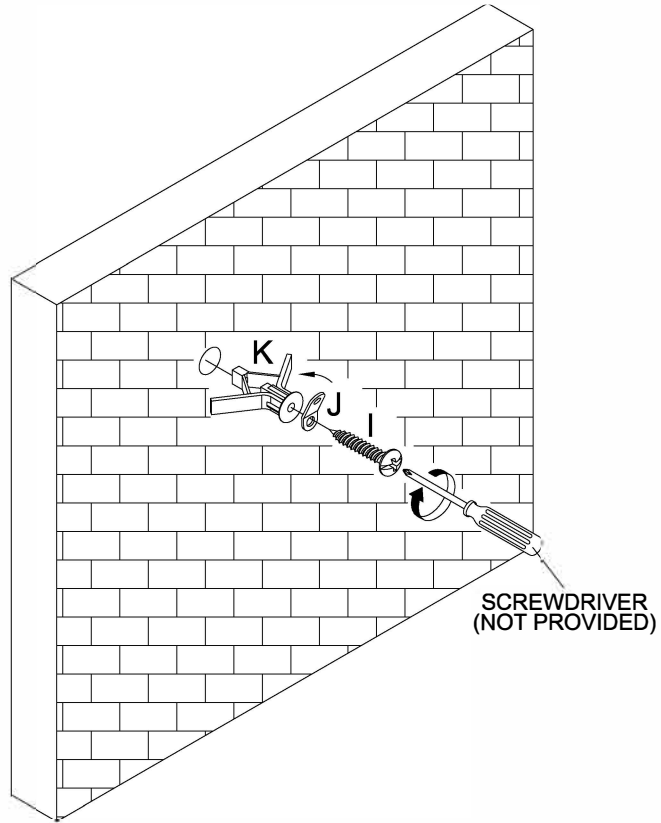





STEP 12.



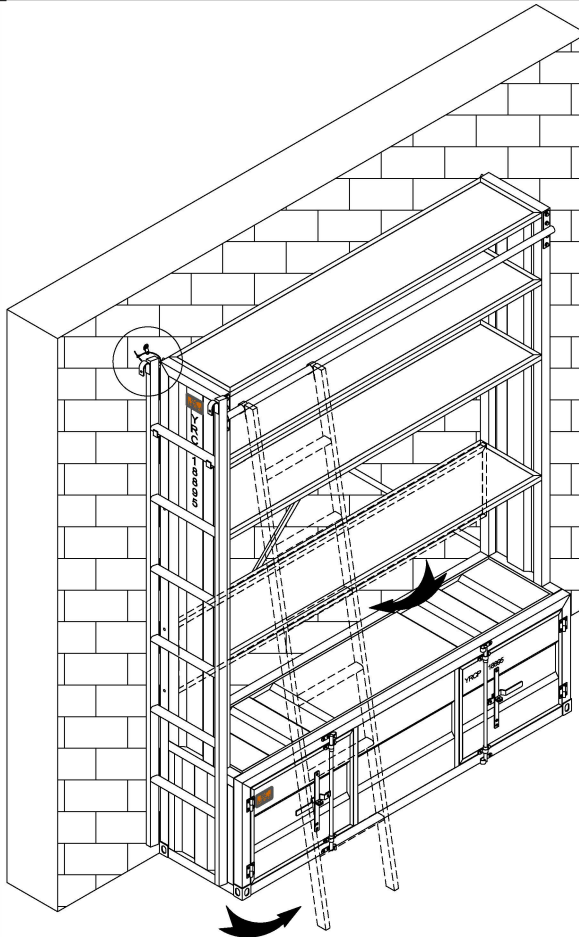
How to Assemble:

STEP 13.

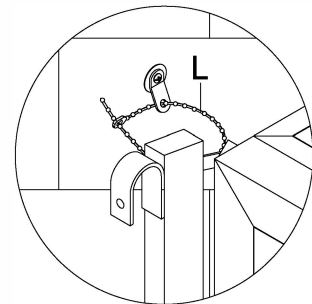


I		1pc
J		1pc
K		1pc

STEP 14.



To Prevent Tip over
Product Must Be
Attached To Wall



L		1pc
---	---	-----