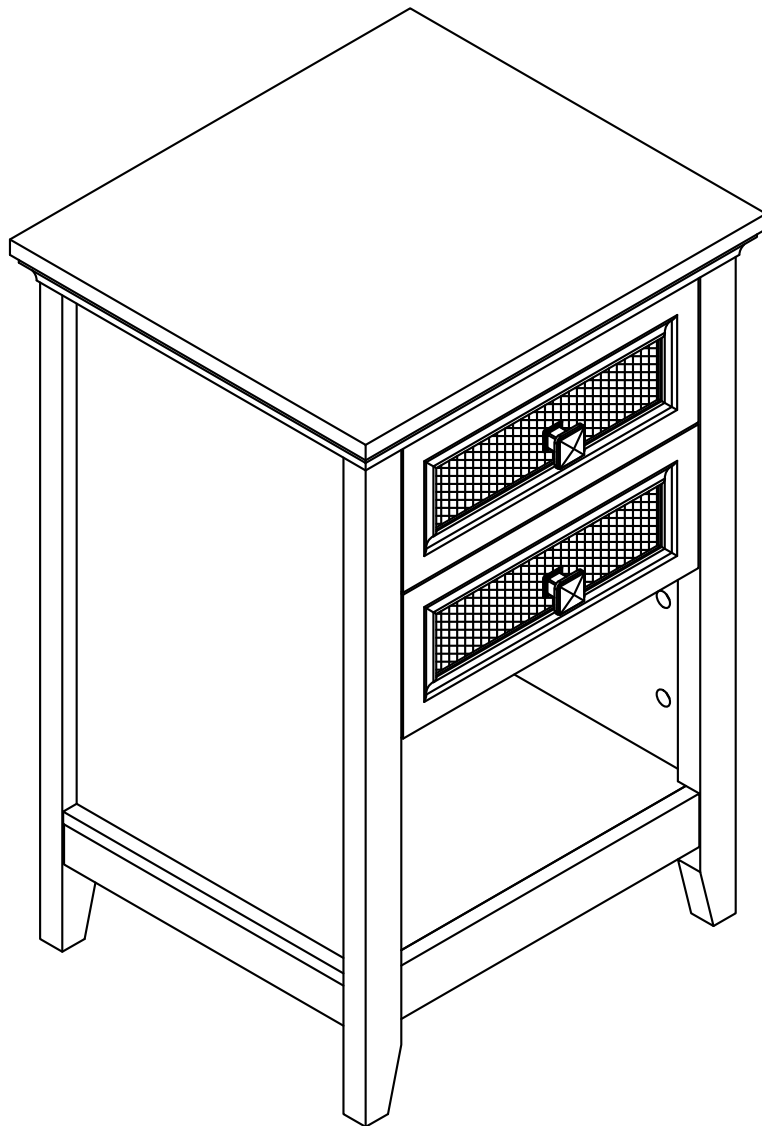


Transforming houses into homes (English & Español)



INSTRUCTION MANUAL

Contact Information

Question about your product? We're here to help. Contact us by:



Orders FAQ



Product Assembly



Product Inquiry



Chat Support



Returns & Refunds

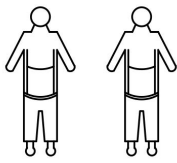
If you have any problems, please send your order number and photos to us. We will contact you within 24 hours and provide you with a satisfactory solution.

! NOTICE Please retain these instructions for future reference.

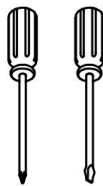
- Carefully unpack all the components and verify that all the necessary parts are included as listed in the packaging.
- Identify each component and refer to the provided assembly diagram or step-by-step instructions.
- Assemble the furniture in the order specified to ensure proper alignment and fit.
- Use the provided tools or recommended tools for assembly. Do not use excessive force when tightening screws or bolts.
- If any difficulties arise during assembly. Consult the troubleshooting section or contact our customer support.



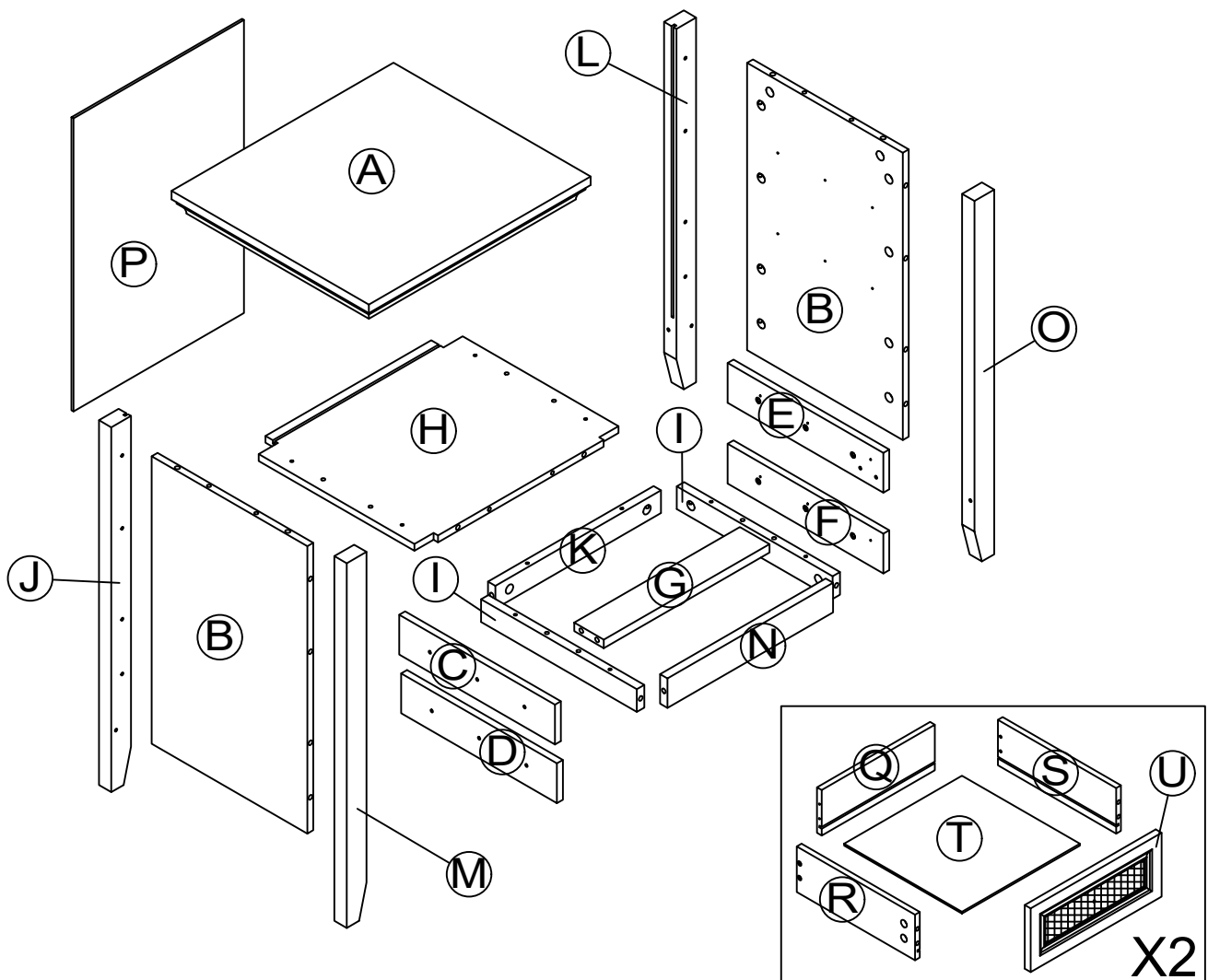
ASSEMBLY INSTRUCTIONS



2 people

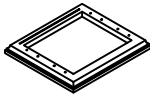
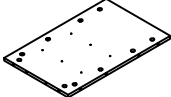
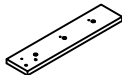
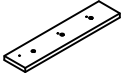
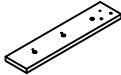
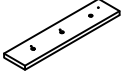





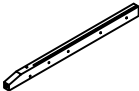
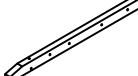

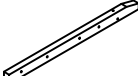
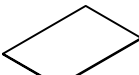



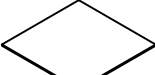



Phillips Screwdriver




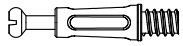

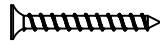
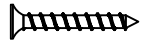
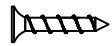











PARTS LIST

| | | | | | |
|--|--|--|--|---|---|
| A Front Panel  1 PC | B Side Panel  2 PCS | C Left Upper Sliding Rail Panel  1 PC | D Left Lower Sliding Rail Panel  1 PC | E Right Upper Sliding Rail Panel  1 PC | F Right Lower Sliding Rail Panel  1 PC |
| G Drawer Bottom Support Bar  1 PC | H Bottom Panel  1 PC | I Bottom Panel Left and Right Support Bars  2 PCS | J Left Rear Leg  1 PC | K Bottom Panel Rear Support Bar  1 PC | L Right Rear Leg  1 PC |
| M Left Front Leg  1 PC | N Front Crossbar for the Bottom Panel  1 PC | O Right Front Leg  1 PC | P Back Panel  1 PC | Q Drawer Back Panel  2 PCS | R Left Drawer Side  2 PCS |
| S Right Drawer Side  2 PCS | T Drawer Bottom Panel  2 PCS | U Drawer Front  2 PCS | | | |



HARDWARE LIST

- | | | | | | |
|--|--|--|---|--|---|
| 01 Ø15X9.5mm Cam Lock  42+3 PCS | 02 Ø6.5X35mm Cam Bolt  42+3 PCS | 03 Ø6X30mm Wooden Dowel  14+2 PCS | 04 Ø4X35mm Screw  18+2 PCS | 05 Ø4X20mm Screw  12+3 PCS | 06 Ø3.5X12mm Screw  24+3 PCS |
| 07 M4X8mm Screw  2+1 PCS | 08 31X31X26mm Handle  2 PCS | 09 Back Panel Buckle Ø3X14mm Screw  8+2 PCS | 10 Ø21mm Screw Hole Sticker  42+3 PCS | 11 CL 300mm Left Cabinet Slide Rail  2 PCS | 11 CR 300mm Right Cabinet Slide Rail  2 PCS |
| 11 DL 300mm Left Drawer Slide Rail  2 PCS | 11 DR 300mm Right Drawer Slide Rail  2 PCS | 12 Anti-Tipping Device  2 PCS | | | |

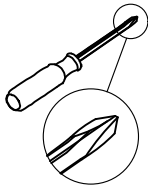



If you are missing any parts, please provide your order number and circle the part number. Send us a photo of this, and we will provide you with a satisfactory solution. Thank you.

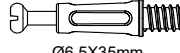
STEP 1

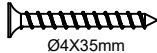
Please tighten the screws after completing all installation.


Por favor, apriete los tornillos después de instalar todo.

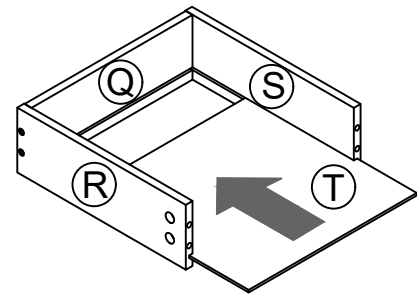
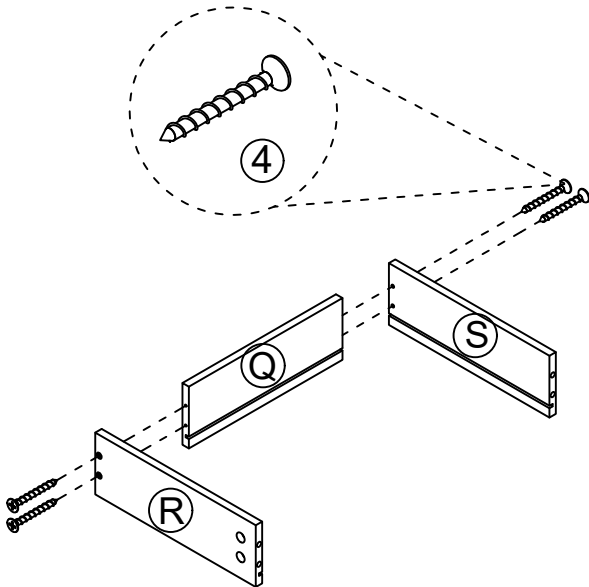


| | |
|---|-----------|
|  | Ø15X9.5mm |
| Cam Lock | |
| ① | X8 |

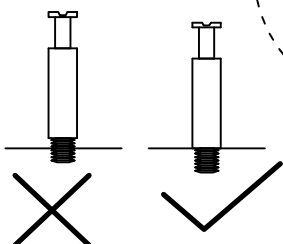
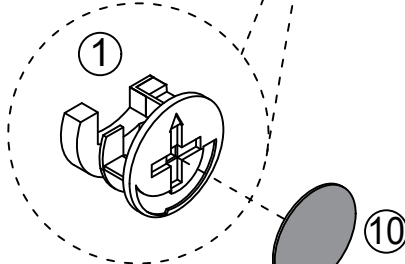
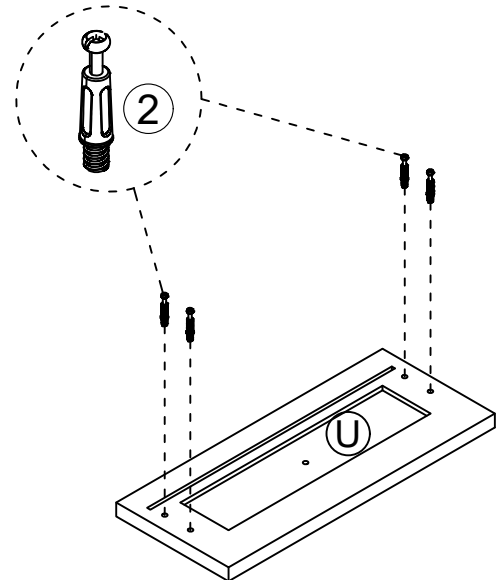
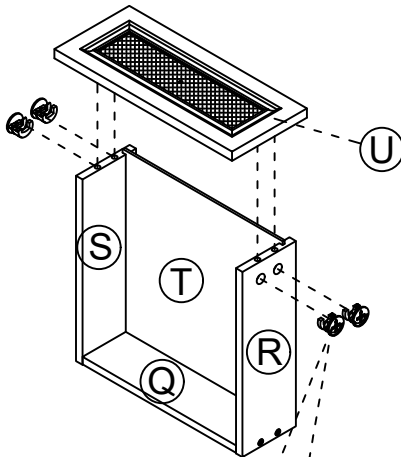
| | |
|---|-----------|
|  | Ø6.5X35mm |
| Cam Bolt | |
| ② | X8 |

| | |
|---|---------|
|  | Ø4X35mm |
| Screw | |
| ④ | X8 |

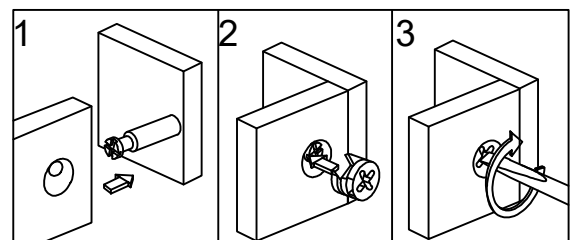
| | |
|---|-------|
|  | Ø21mm |
| Screw Hole Sticker | |
| ⑩ | X8 |



1 2
4 3



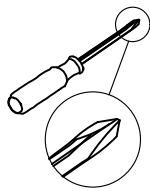
X2

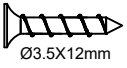



STEP 2


Please tighten the screws after completing all installation.

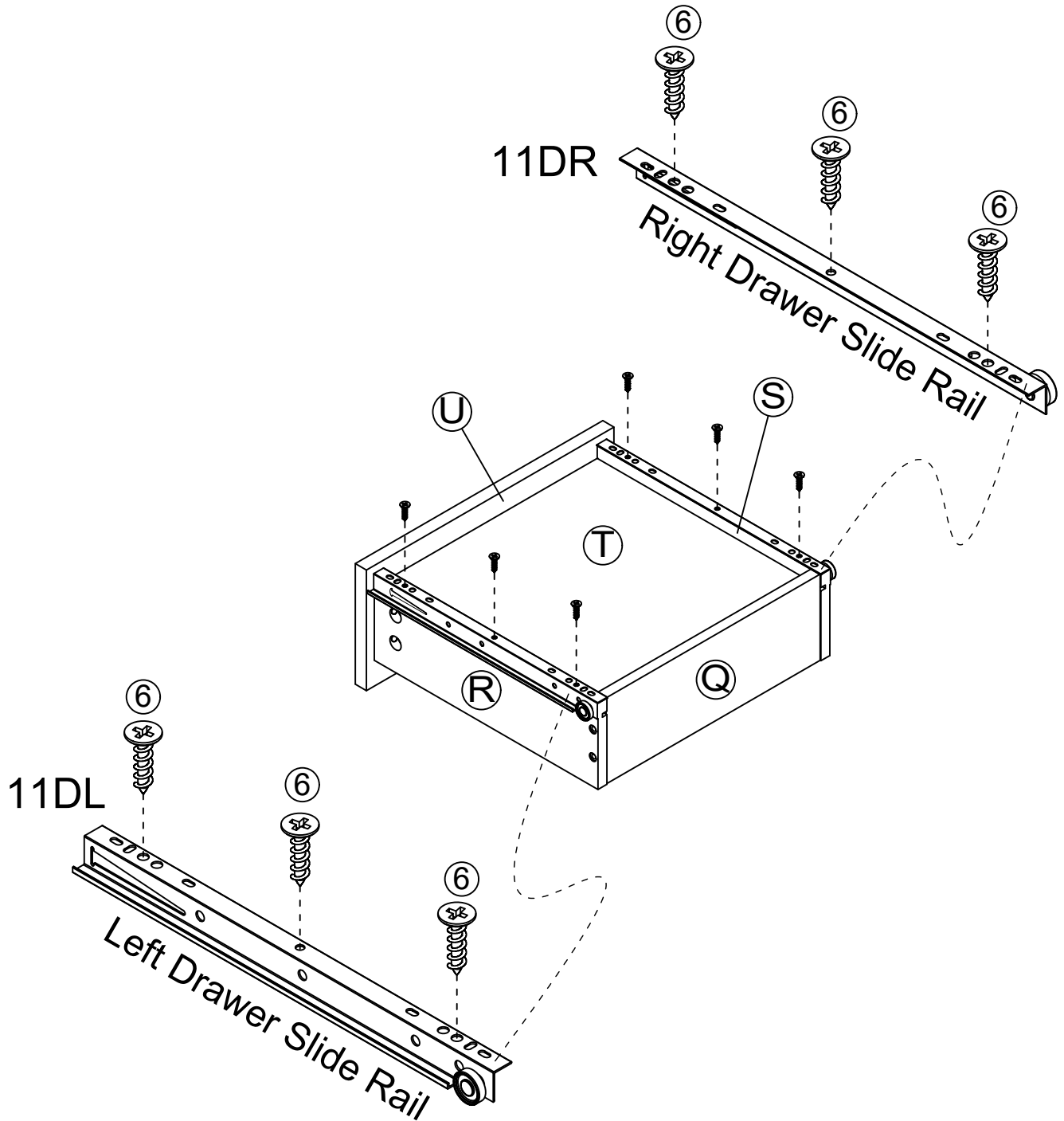
Por favor, apriete los tornillos después de instalar todo.



| | |
|---|-----|
|  Ø3.5X12mm Screw | |
| ⑥ | X12 |

| | |
|---|----|
|  300mm Left Cabinet Slide Rail | |
| 11DL | X2 |

| | |
|--|----|
|  300mm Right Cabinet Slide Rail | |
| 11DR | X2 |

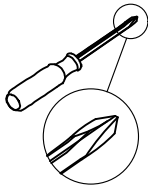


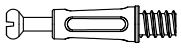
X2

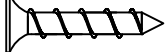
STEP 3

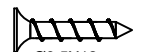
Please tighten the screws after completing all installation.

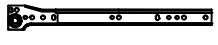
Por favor, apriete los tornillos después de instalar todo.

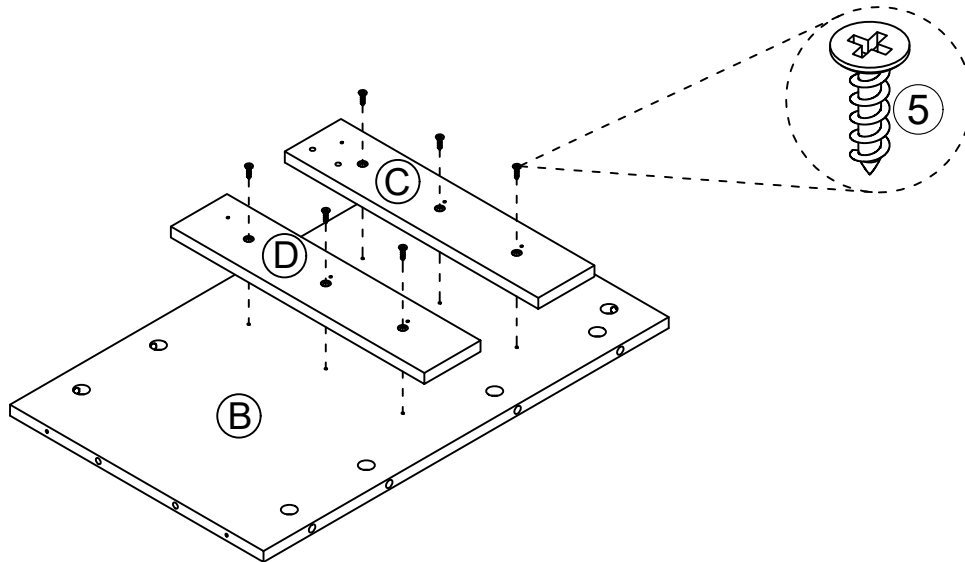


| | |
|---|-----------------------|
|  | Ø6.5X35mm Cam Bolt |
| ② | X2 |

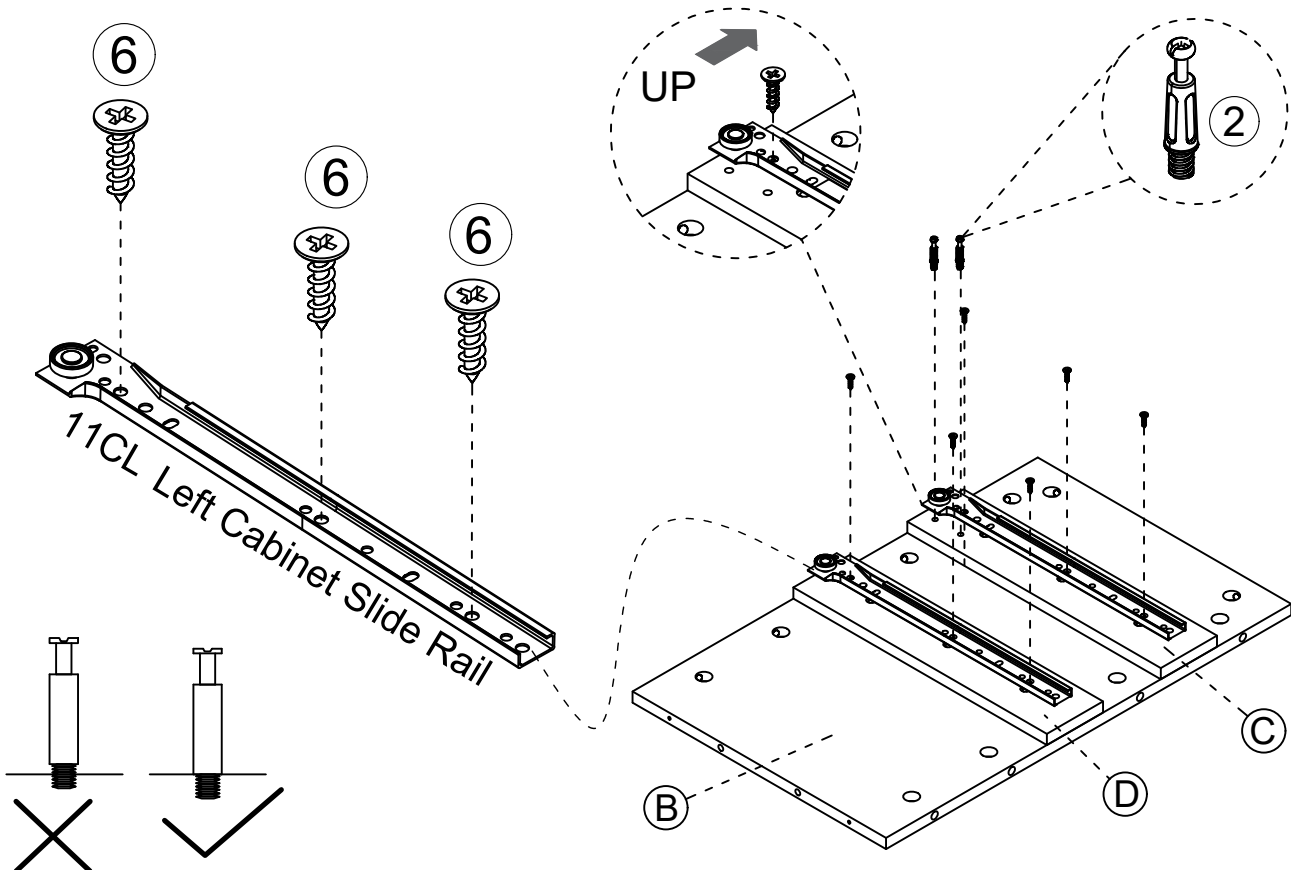
| | |
|---|------------------|
|  | Ø4X20mm Screw |
| ⑤ | X6 |

| | |
|---|--------------------|
|  | Ø3.5X12mm Screw |
| ⑥ | X6 |

| | |
|---|----------------------------------|
|  | 300mm Left Cabinet Slide Rail |
| 11CL | X2 |



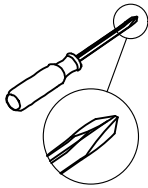
Second Hole

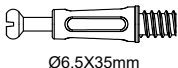


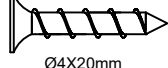
STEP 4

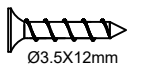
Please tighten the screws after completing all installation.


Por favor, apriete los tornillos después de instalar todo.

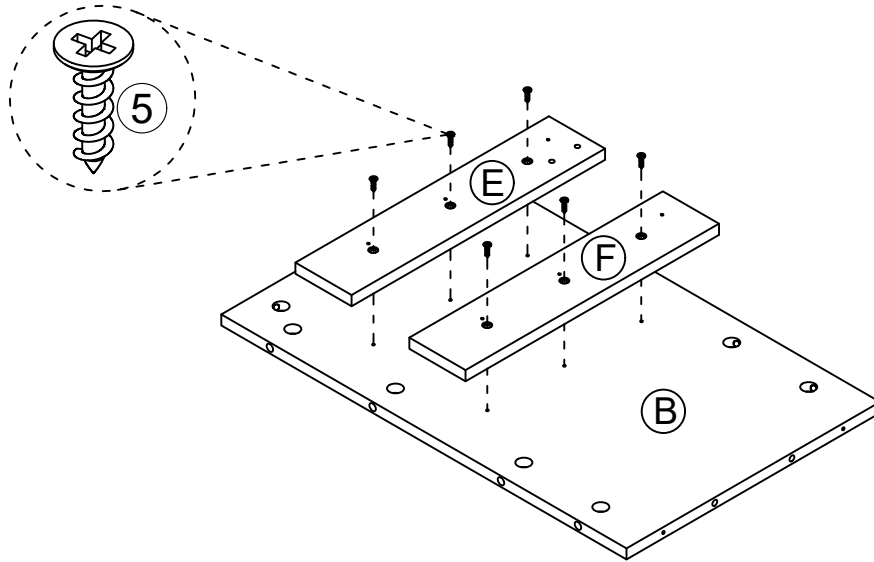


| | |
|--|----|
|  Ø6.5X35mm Cam Bolt | |
| ② | X2 |


| | |
|---|----|
|  Ø4X20mm Screw | |
| ⑤ | X6 |

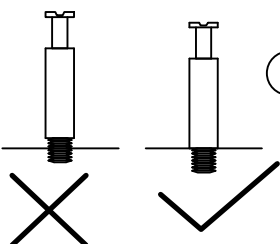
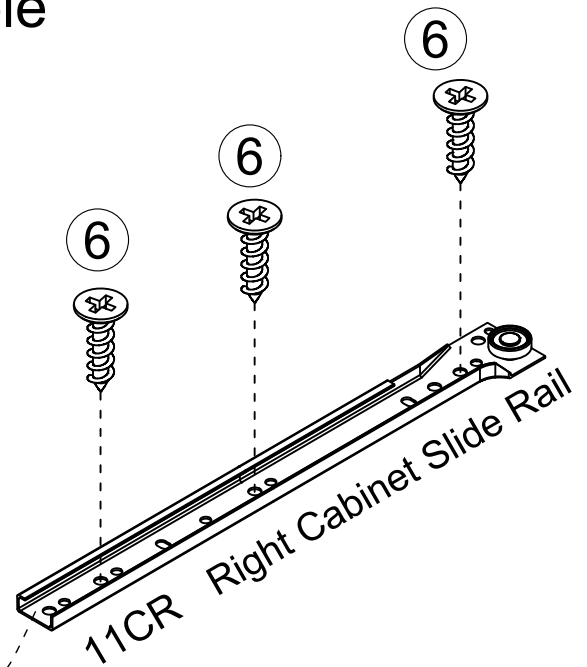
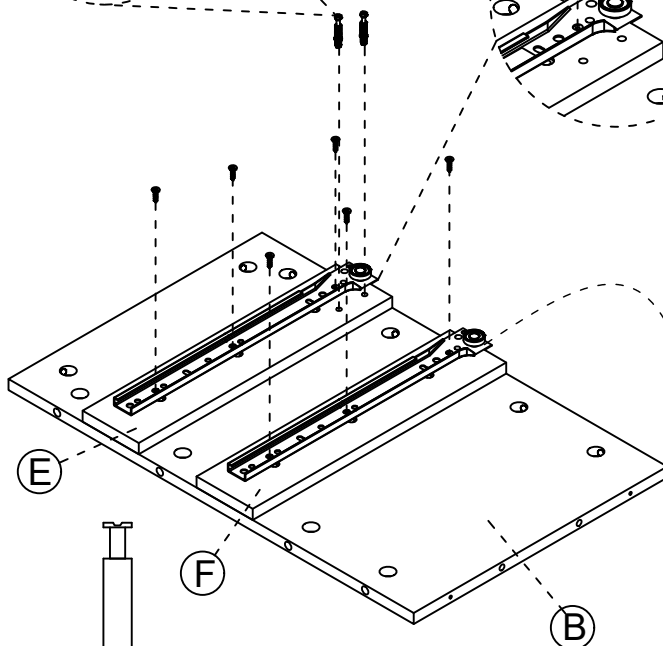
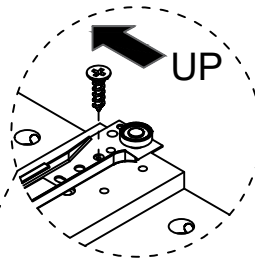
| | |
|---|----|
|  Ø3.5X12mm Screw | |
| ⑥ | X6 |

| | |
|--|----|
| 300mm  Right Cabinet Slide Rail | |
| 11CR | X2 |



Second Hole




| | |
|--|--|
|  ② | |
|--|--|

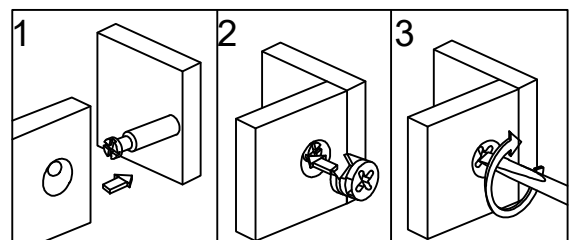
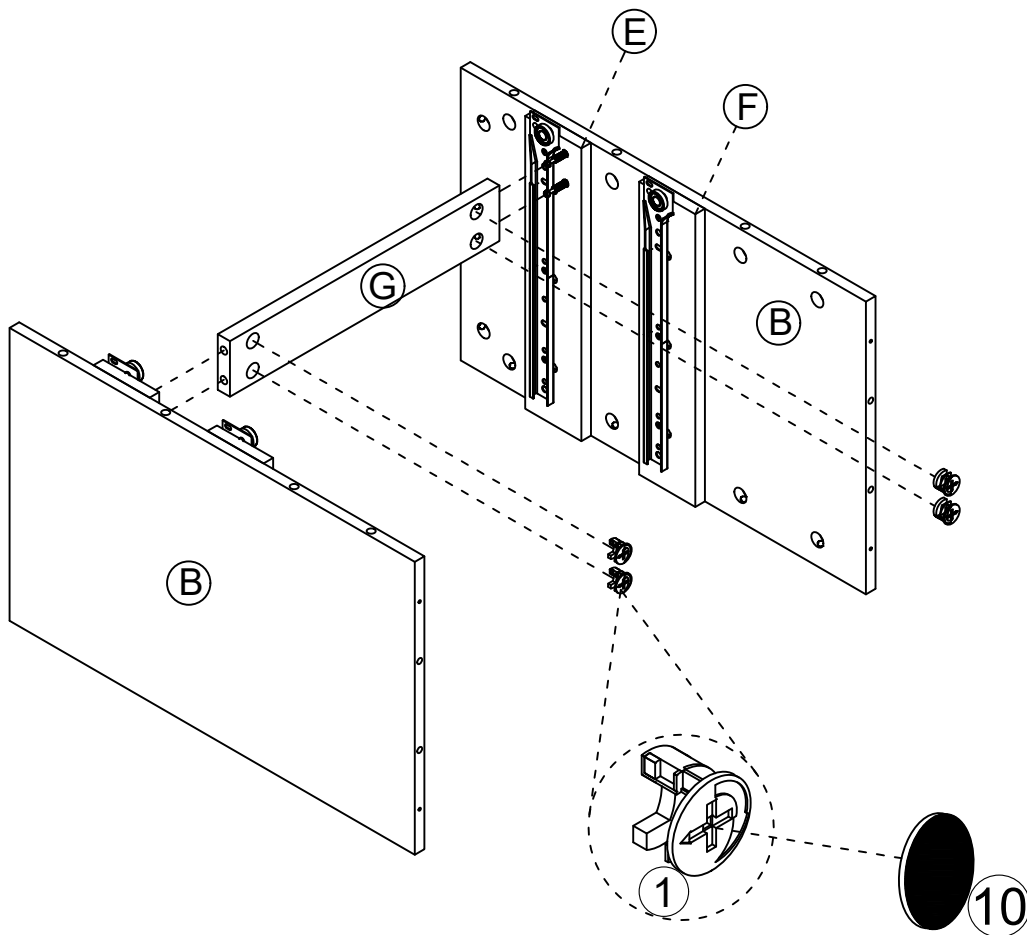


STEP 5

Please tighten the screws after completing all installation.

Por favor, apriete los tornillos después de instalar todo.

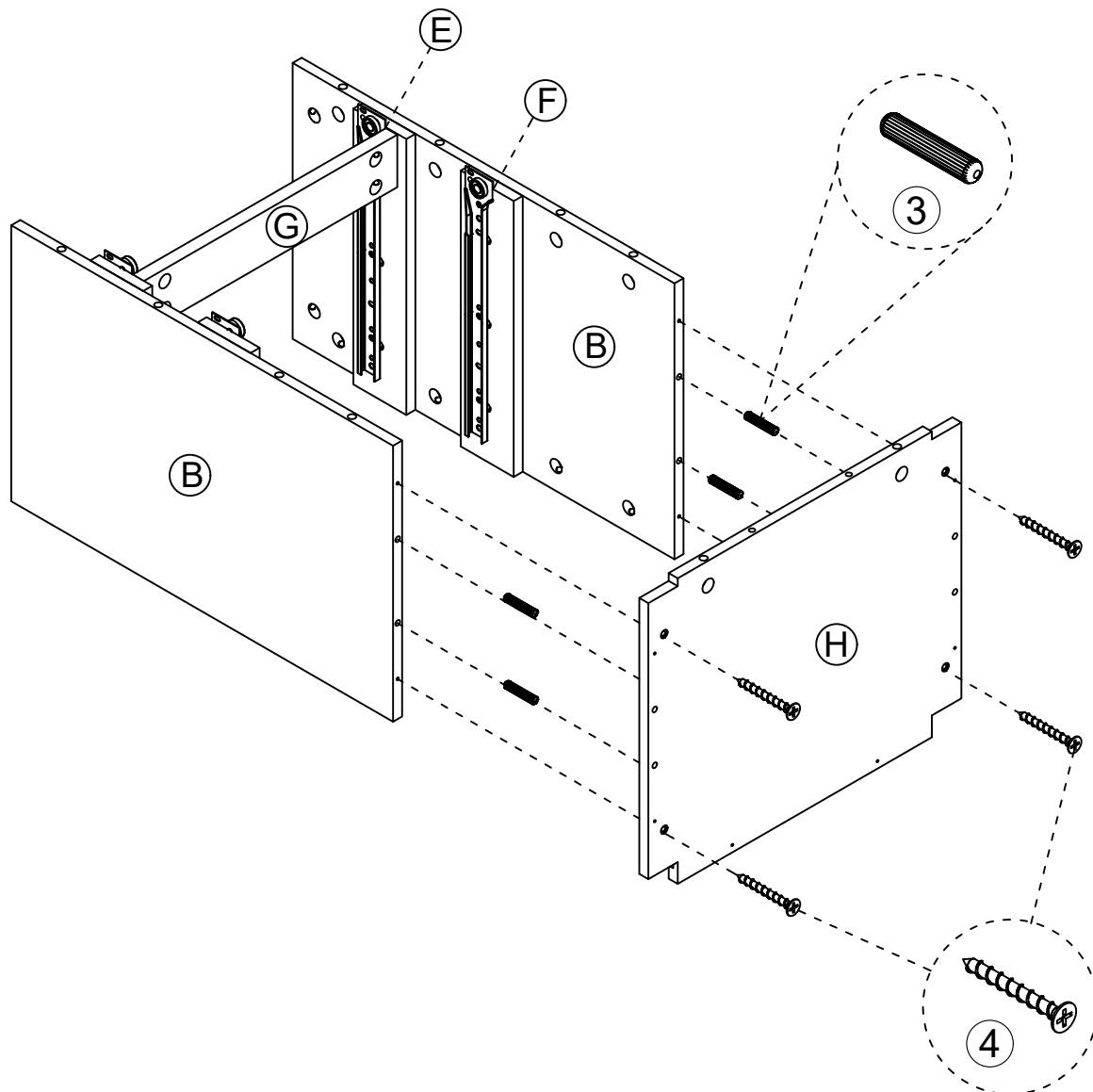
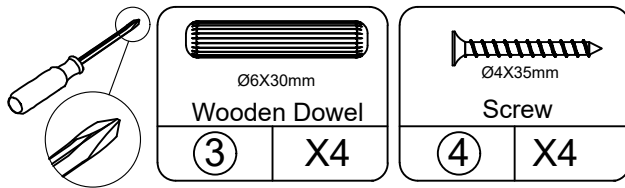
| | | | |
|---|--|--|----|
|  |  Ø15X9.5mm Cam Lock |  Ø21mm Screw Hole Sticker | |
| 1 | X4 | 10 | X4 |



STEP 6

Please tighten the screws after completing all installation.

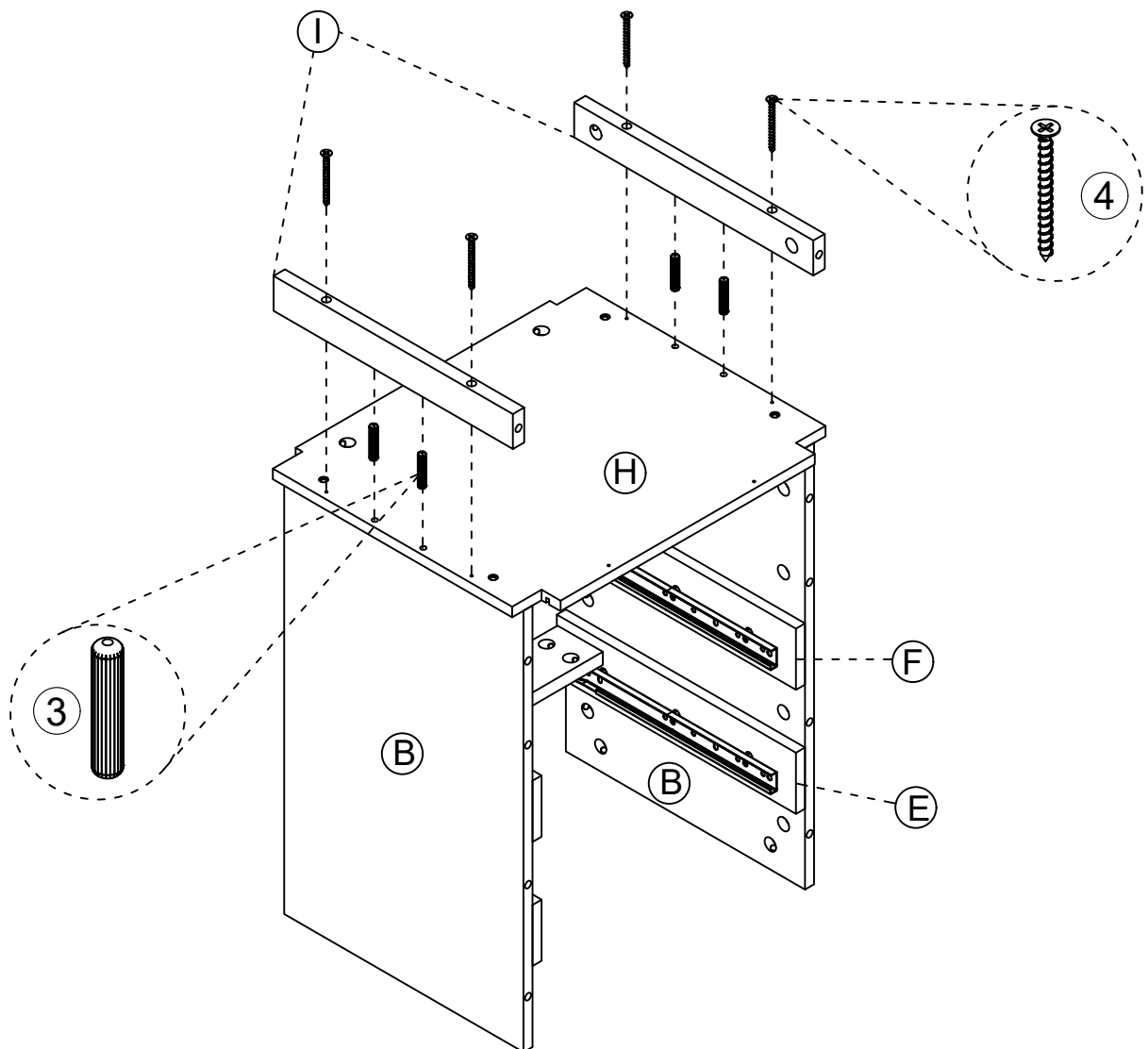
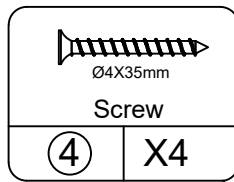
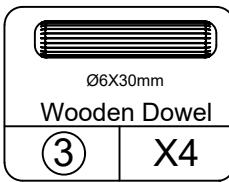
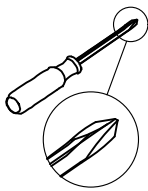
Por favor, apriete los tornillos después de instalar todo.



STEP 7

Please tighten the screws after completing all installation.

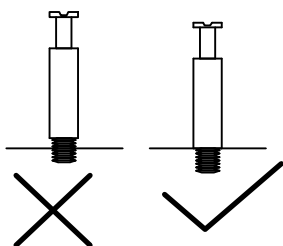
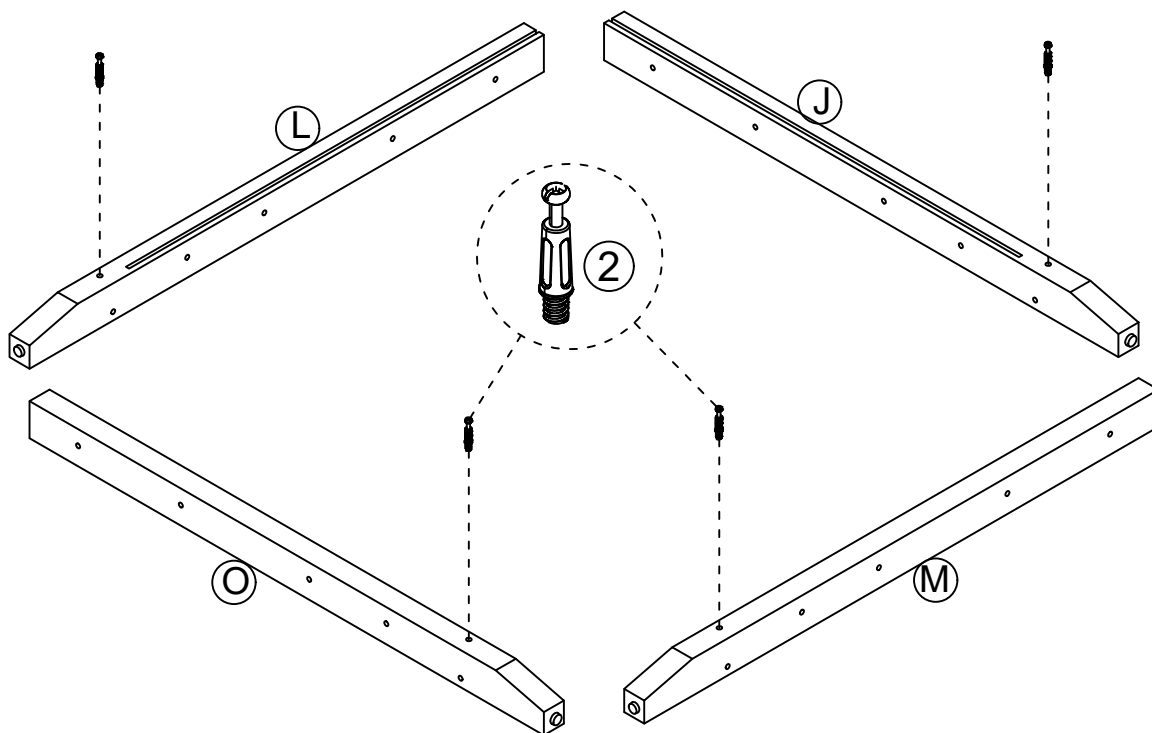
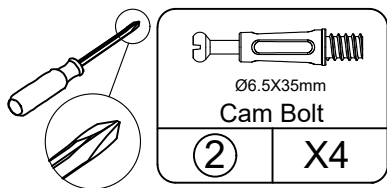
Por favor, apriete los tornillos después de instalar todo.



STEP 8

Please tighten the screws after completing all installation.

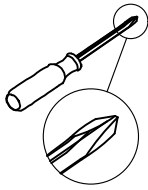
Por favor, apriete los tornillos después de instalar todo.





STEP 9


Please tighten the screws after completing all installation.

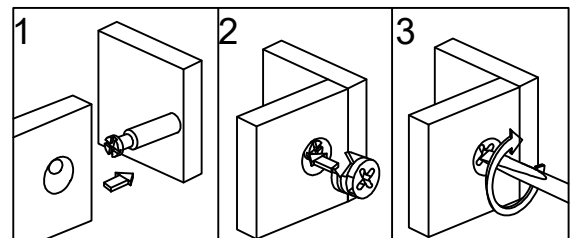
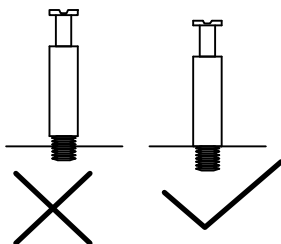
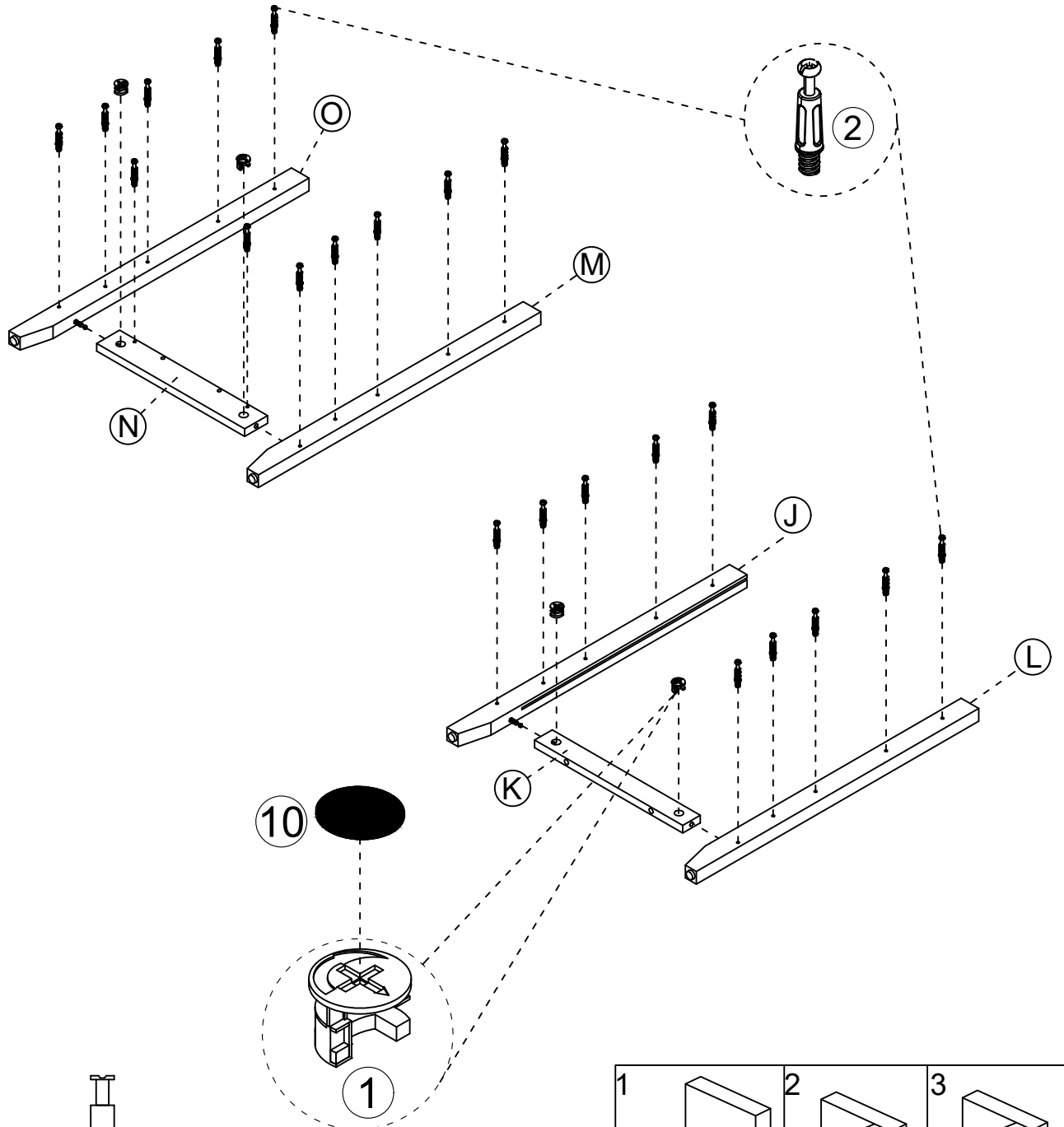
Por favor, apriete los tornillos después de instalar todo.



| | |
|---|-----------|
|  | Ø15X9.5mm |
| Cam Lock | |
| ① | X4 |

| | |
|---|-----------|
|  | Ø6.5X35mm |
| Cam Bolt | |
| ② | X22 |

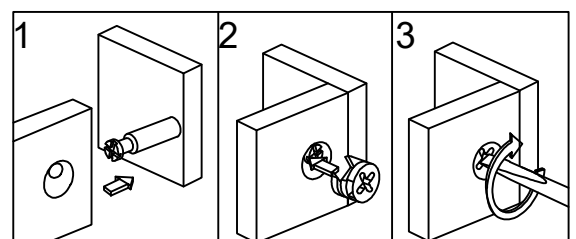
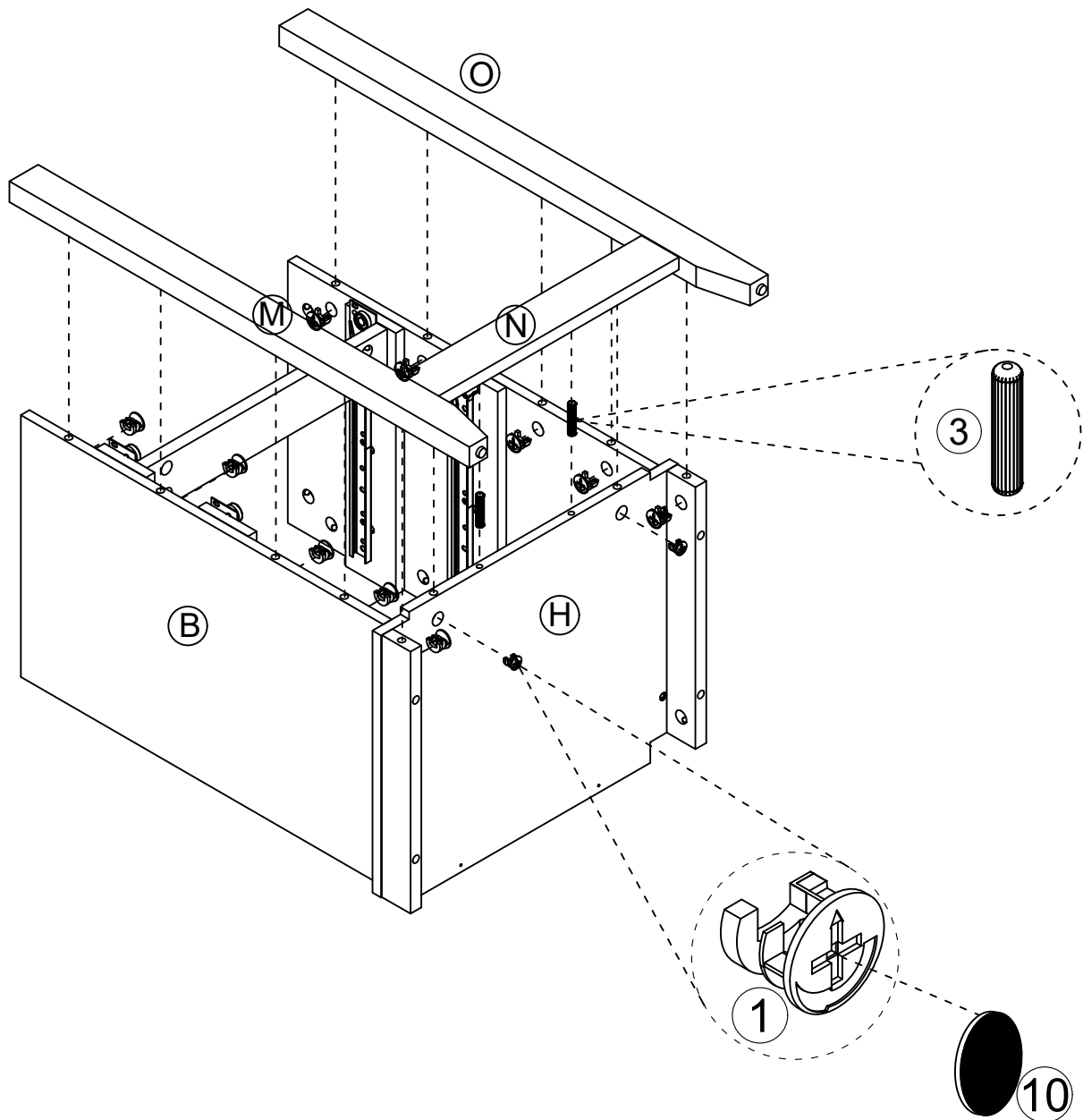
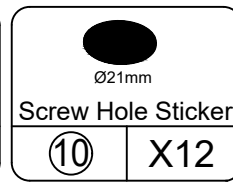
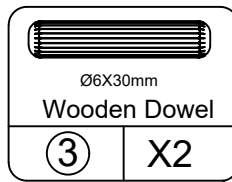
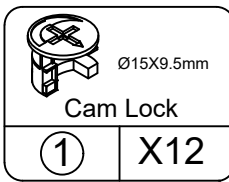
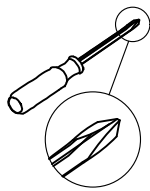
| | |
|---|-------|
|  | Ø21mm |
| Screw Hole Sticker | |
| ⑩ | X4 |



STEP 10

Please tighten the screws after completing all installation.

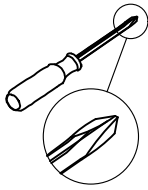
Por favor, apriete los tornillos después de instalar todo.




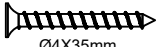
STEP 11


Please tighten the screws after completing all installation.

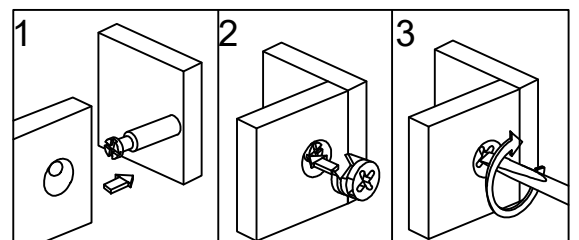
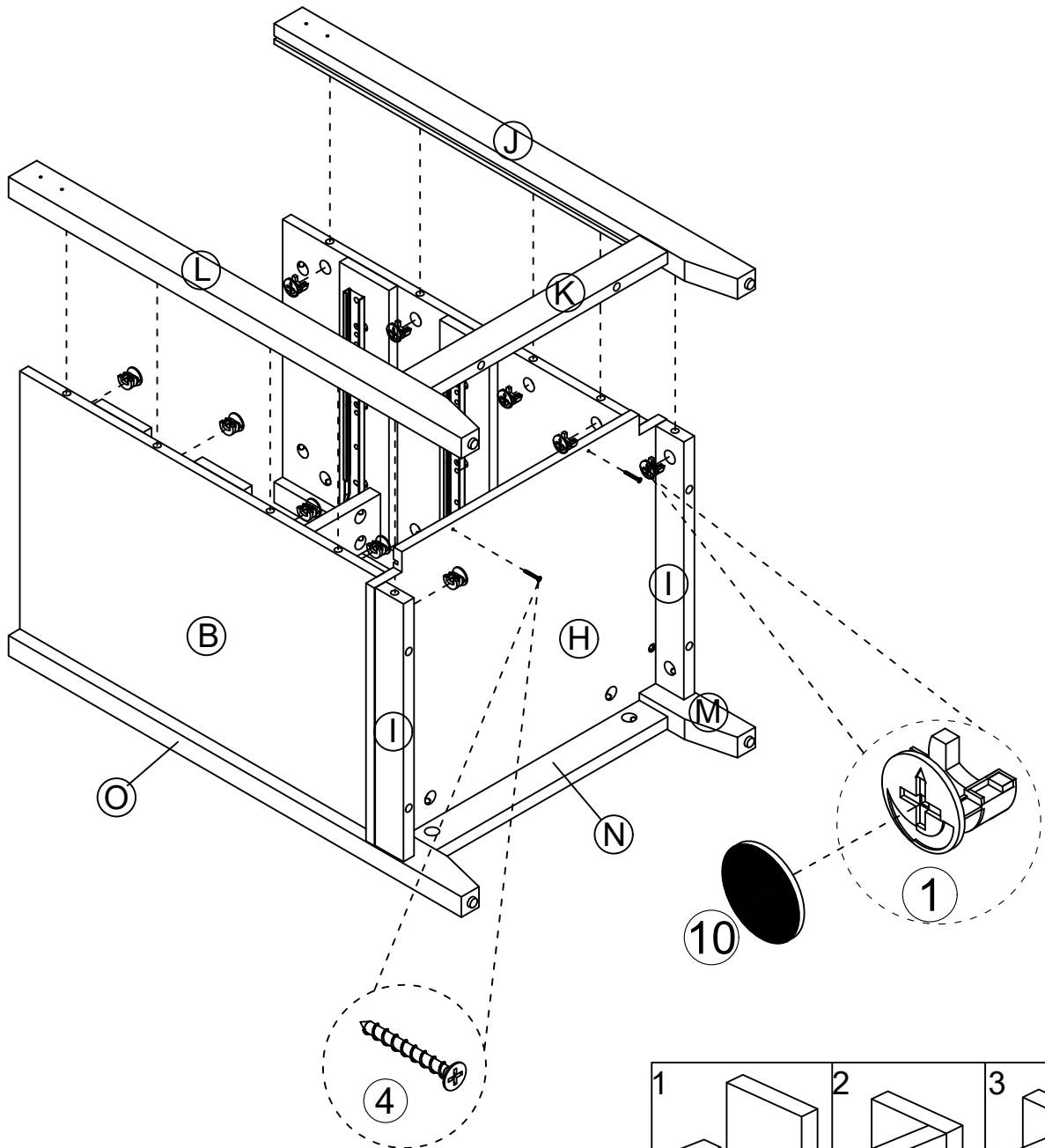
Por favor, apriete los tornillos después de instalar todo.



| | |
|---|-----|
|  Ø15X9.5mm Cam Lock | |
| ① | X10 |

| | |
|--|----|
|  Ø4X35mm Screw | |
| ④ | X2 |

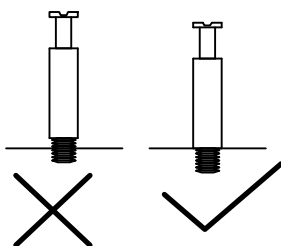
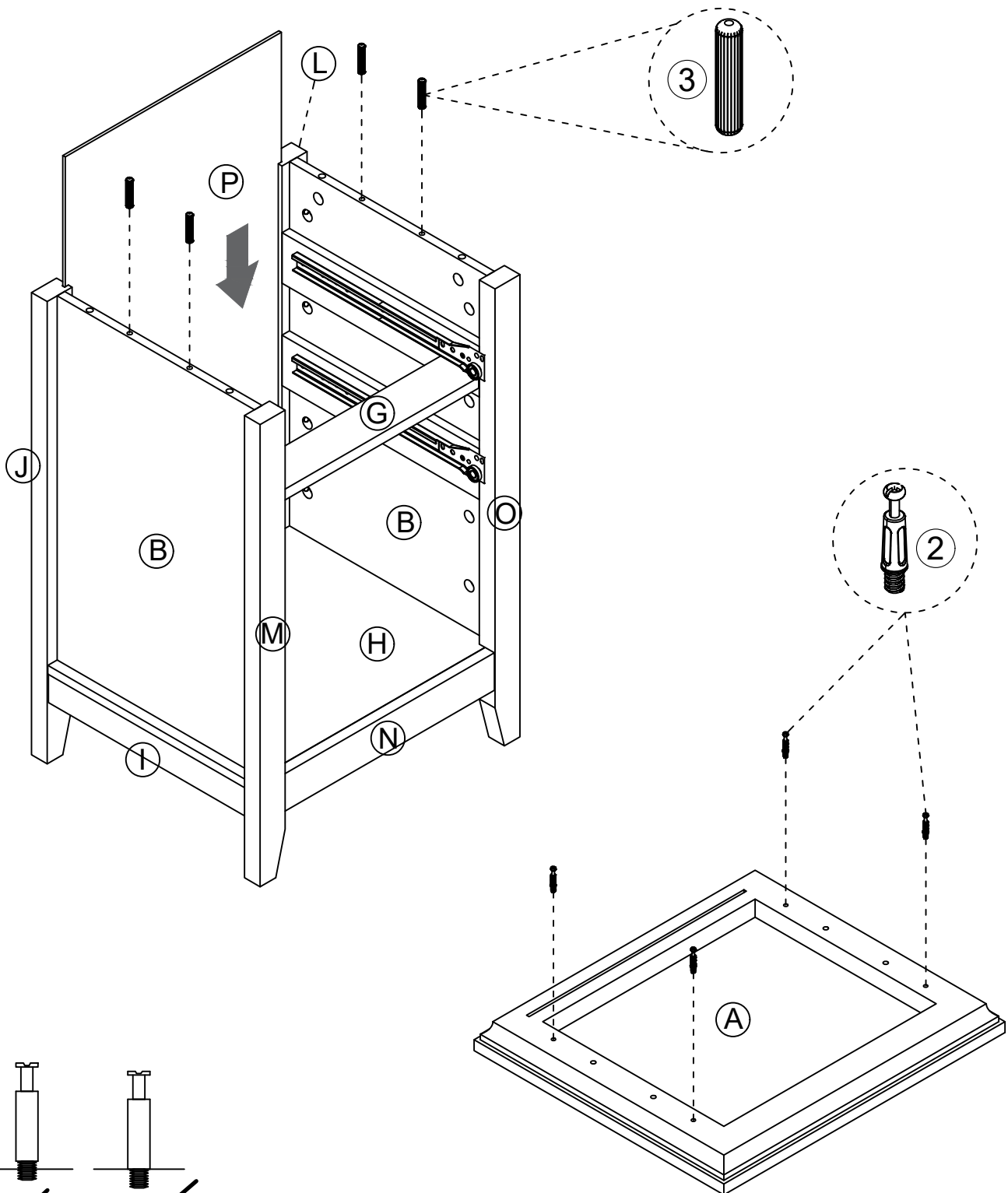
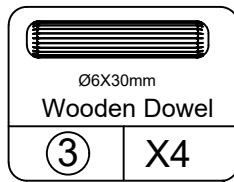
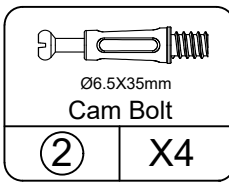
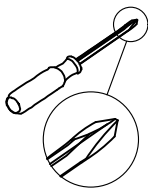
| | |
|---|-----|
|  Ø21mm Screw Hole Sticker | |
| ⑩ | X10 |



STEP 12

Please tighten the screws after completing all installation.

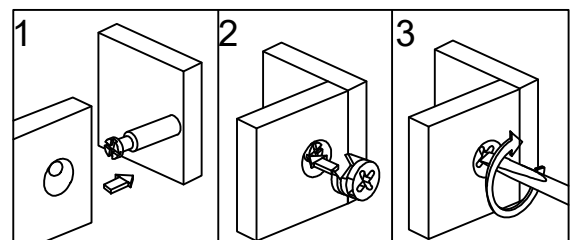
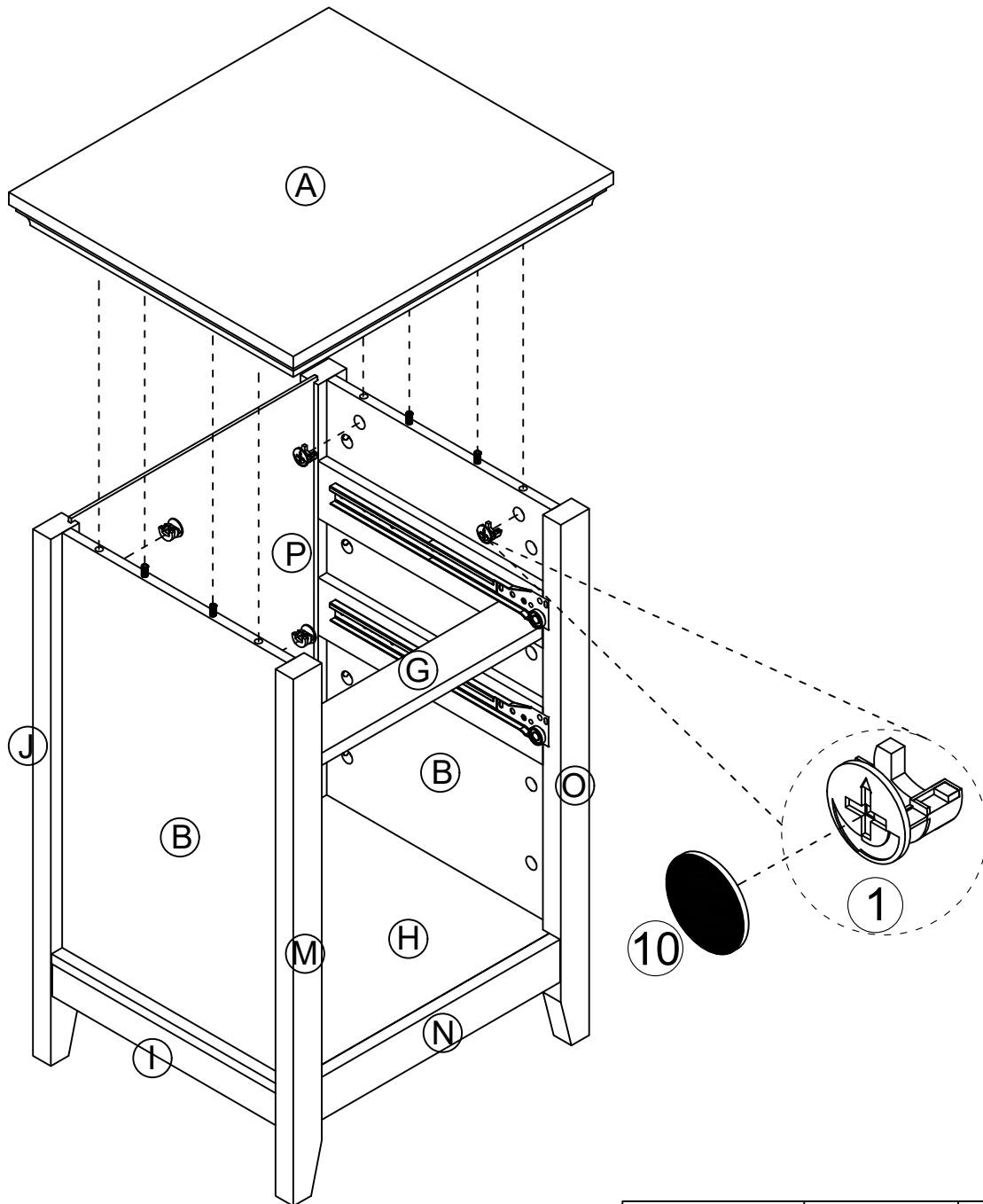
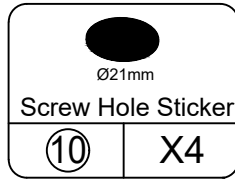
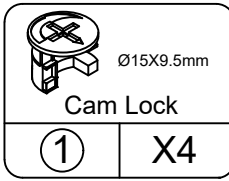
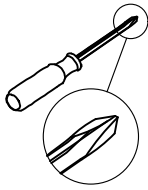
Por favor, apriete los tornillos después de instalar todo.



STEP 13

Please tighten the screws after completing all installation.

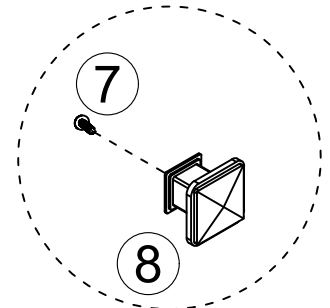
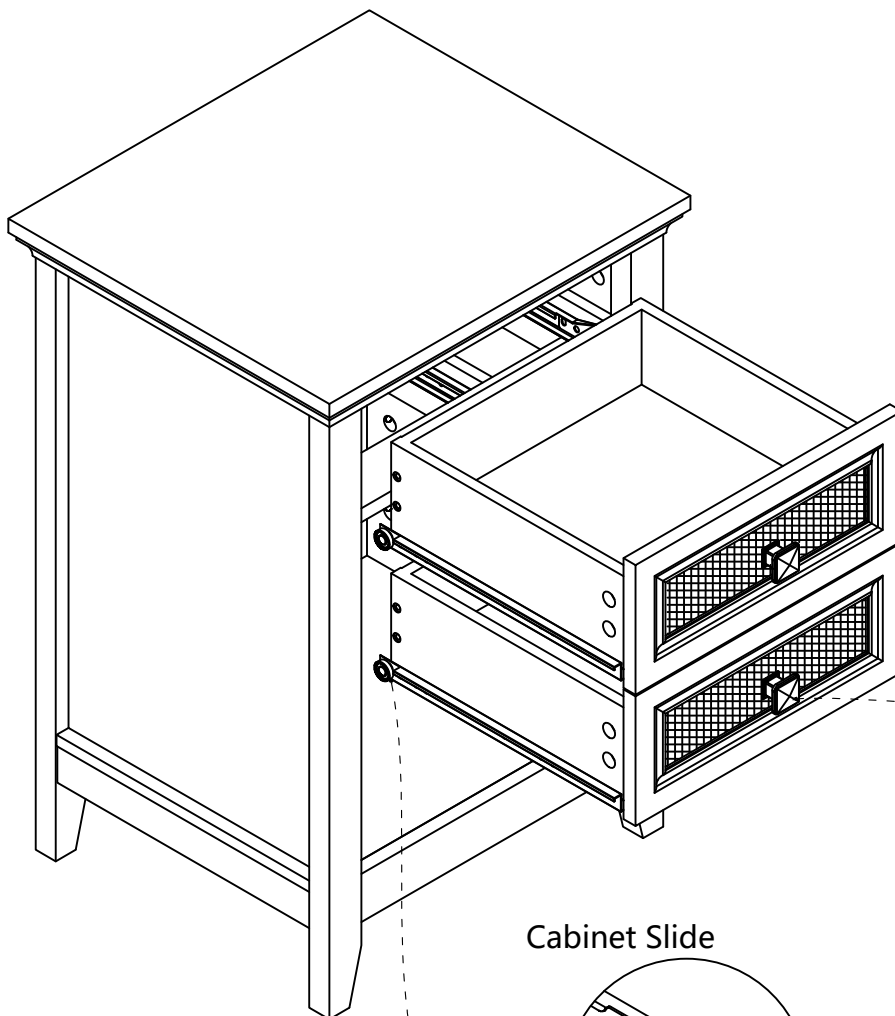
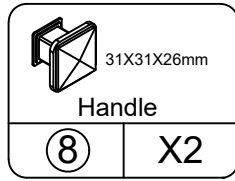
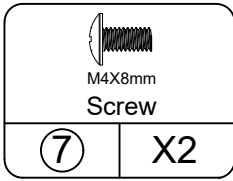
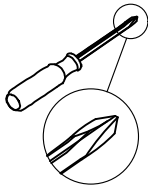
Por favor, apriete los tornillos después de instalar todo.



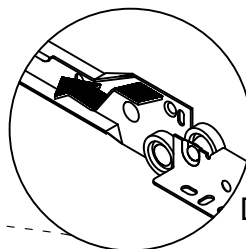
STEP 14

Please tighten the screws after completing all installation.

Por favor, apriete los tornillos después de instalar todo.



Cabinet Slide

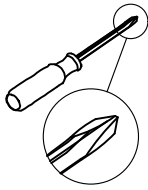


Drawer Slide

STEP 15

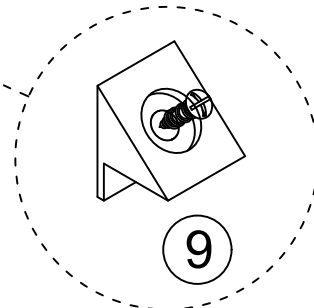
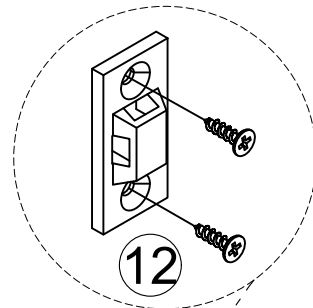
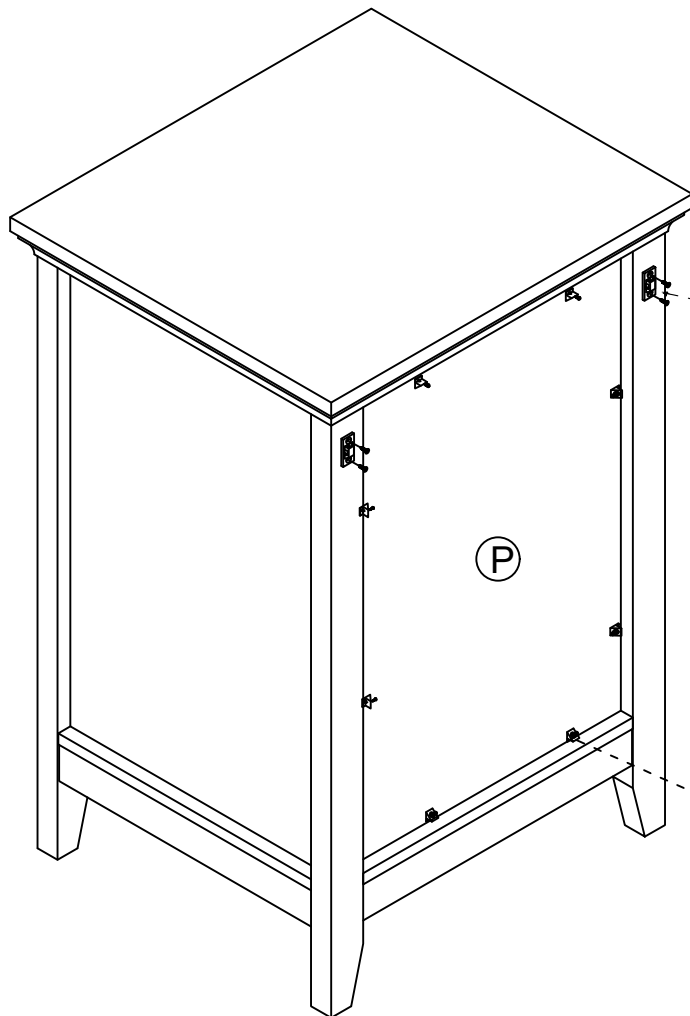
Please tighten the screws after completing all installation.

Por favor, apriete los tornillos después de instalar todo.



| | |
|-------------------|----|
| Ø3X14mm Screw | |
| | |
| Back Panel Buckle | |
| 9 | X8 |

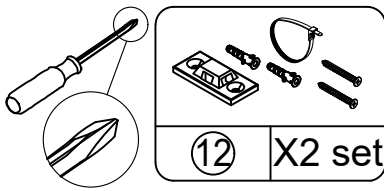
| | |
|---------------------|-------|
| | |
| Anti-Tipping Device | |
| 12 | X2set |



STEP 16

Please tighten the screws after completing all installation.

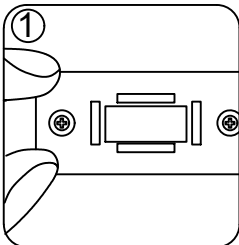
Por favor, apriete los tornillos después de instalar todo.



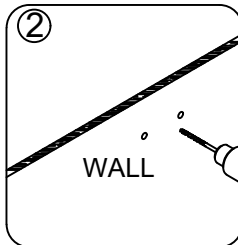
We have provided a set of tipping restraint hardware for this unit, and it is essential to install this hardware to prevent accidents or injuries that may occur if the unit tips over. When correctly installed, this restraint can offer protection against unexpected tipping caused by minor vibrations, impacts, or climbing. We highly recommend attaching this hardware to a wall stud and securing it to your unit for safety.

NOTE: The provided tipping restraint hardware is designed for use with wooden stud wall construction and should be affixed to a wall stud. If your wall construction differs, you may require alternative anchor hardware. Please consult your local hardware store for guidance. It's crucial to be aware that young children are at risk of serious injury from furniture tipping over, so you must install the provided tipping restraint hardware with the unit to prevent accidents or damage. These restraints serve as a deterrent and are not a substitute for responsible adult supervision. It's important to note that the tipping restraints are not designed for earthquake safety. If you wish to enhance security for earthquake situations, separate earthquake restraints must be acquired and installed.

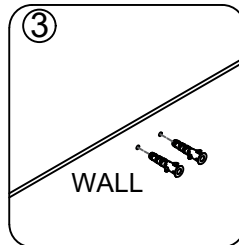
Install The Anti-Tipping Device



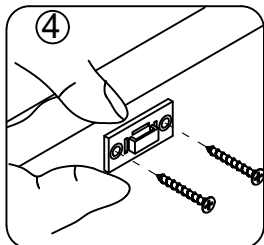
1. Mark the wall for reference.



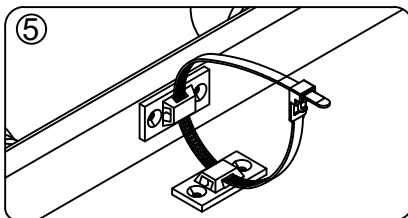
2. Drill two Ø6 holes in the wall.



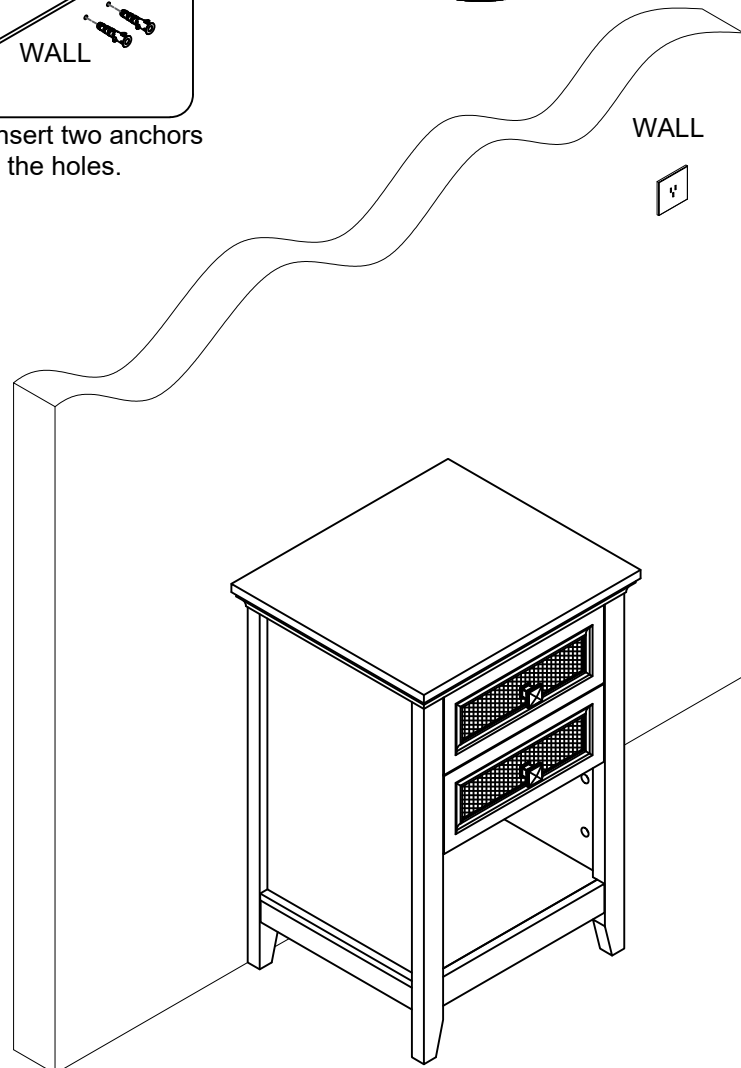
3. Insert two anchors into the holes.



4. Secure the device to the wall using the provided long screws.



5. Position the cabinet near the wall, aligning the two bases. Attach a nylon tie to ensure a snug fit.





MAINTENANCE AND CARE

Prevent Moisture Damage:

Safeguard your laminate furniture by keeping it in a dry environment. Store the furniture away from damp areas and water sources.

Sunlight Shielding:

Shield your laminate furniture from direct sunlight to prevent color fading and surface deterioration. Consider using curtains or blinds for protection, especially if direct sunlight exposure is unavoidable.

Regular Care:

Maintain your laminate furniture's appearance by gently wiping surfaces with a damp cloth. Avoid using overly wet cloths or abrasive cleaning tools.

Avoid Scratches:

Protect the furniture surface from scratches by refraining from placing sharp or hard objects on it. When moving the furniture, be cautious not to scrape the legs against the floor.

Proper Weight Distribution:

Prevent structural damage by placing heavy objects on stable support surfaces rather than directly on the laminate furniture's surface. This simple step can prolong the life of your furniture.



WARRANTY INFORMATION

Warranty Coverage: Our warranty provides protection against manufacturing defects in materials and workmanship for a specified period from the date of purchase, as outlined in the accompanying warranty documentation.

Exclusions: The warranty does not cover damages resulting from misuse, negligence, accidents, normal wear and tear, unauthorized repairs or modifications, improper assembly, or failure to adhere to the care and maintenance guidelines provided.

WARRANTY CLAIM PROCESS

To initiate a return, please follow these steps:

1. Log into your account and go to the "Your Orders" section.
2. Locate the order containing the item you wish to return.
3. Contact our customer service for assistance in obtaining a prepaid return label.
4. Once you receive the return label, securely affix it to the package.
5. You can then choose to drop off the package at a designated carrier location or arrange for a pickup.
6. After we receive and inspect the returned product, we will initiate the refund process.
7. The refund will be credited back to the original payment method used during the purchase.
8. Typically, refunds are processed within 3-5 business days.



MANTENIMIENTO Y CUIDADO

Evite daños por humedad:

Proteja sus muebles laminados manteniéndolos en un ambiente seco. Guarde los muebles lejos de zonas húmedas y fuentes de agua.

Protéjalos de la luz solar:

Proteja sus muebles laminados de la luz solar directa para evitar la pérdida de color y el deterioro de la superficie. Considere el uso de cortinas o persianas como protección, especialmente si la exposición directa a la luz solar es inevitable.

Cuidado regular:

Mantenga el aspecto de sus muebles laminados limpiando suavemente las superficies con un paño húmedo. Evite utilizar paños demasiado húmedos o herramientas de limpieza abrasivas.

Evite los arañazos:

Proteja la superficie del mueble de arañazos evitando colocar objetos afilados o duros sobre ella. Al mover el mueble, tenga cuidado de no raspar las patas contra el suelo.

Distribución adecuada del peso:

Evite daños estructurales colocando objetos pesados sobre superficies de apoyo estables en lugar de directamente sobre la superficie del mueble laminado. Este sencillo paso puede prolongar la vida de sus muebles.



INFORMACIÓN SOBRE LA GARANTÍA

Cobertura de la garantía: Nuestra garantía proporciona protección contra defectos de fabricación en materiales y mano de obra durante un período determinado a partir de la fecha de compra, como se indica en la documentación de garantía adjunta.

Exclusiones: La garantía no cubre los daños resultantes de uso indebido, negligencia, accidentes, desgaste normal, reparaciones o modificaciones no autorizadas, montaje incorrecto o incumplimiento de las directrices de cuidado y mantenimiento proporcionadas. Las directrices de cuidado y mantenimiento proporcionadas.

PROCESO DE RECLAMACIÓN DE LA GARANTÍA

Para iniciar una devolución, siga estos pasos:

1. Accede a tu cuenta de y ve a la sección "Tus pedidos".
2. Localiza el pedido que contiene el artículo que deseas devolver.
3. Ponte en contacto con nuestro servicio de atención al cliente para que te ayuden a obtener una etiqueta de devolución prepagada.
4. Una vez que reciba la etiqueta de devolución, fíjela firmemente al paquete.
5. A continuación, puede optar por depositar el paquete en el lugar designado por el transportista o solicitar que lo recojan.
6. Después de que recibamos e inspeccionemos el producto devuelto, iniciaremos el proceso de reembolso.
7. El reembolso se abonará de nuevo al método de pago original utilizado durante la compra.
8. Normalmente, los reembolsos se procesan en un plazo de 3 a 5 días laborables.