

INSTRUCTION MANUAL

WOODEN DOG KENNEL

Remember

We strongly recommend looking after these instructions, after all without them it will be a bit tricky to put this product together. Even though we know our customers are more intelligent than most, we still think you may find these instructions useful.

We recommend the following inspection

- ◆ **This product is made from natural fir wood. if it smells, please ventilate it out of door for 10 days before using it.**
- ◆ **Check all parts are present.**
- ◆ **Fasten screws loosely during initial assembly. Do not fully tighten screws until the item is completely assembled.**
- ◆ **During assembly, you will find that there are no pre-drill holes with some parts. For some small screws, there are no pre-drill holes. We will explain it clearly in each step to ensure that your product is stronger during use. You only need a electric**
- ◆ **After assembly, check all screws and tighten it again. Not as tight as better. Excessive force will crack the wood.**
- ◆ **On rare occasions, when you first erect the product in wet conditions and where it is wet or rainy for a prolonged time, then followed by a burst of sunshine, it is still possible to get some mould on some panels. Please be reassured that this can be washed off with a mould cleaner or wiped down with a baking soda solution.**
- ◆ **Strongly recommended that you treat the product with a clear timber preserver, and re-treat once a year to extend the life of your product**
- ◆ **Reconfirm that all bolts, screws, and knobs are secure every 180 days.**
- ◆ **Do not use or store this item in the proximity of open flame or flammable/combustible chemicals.**
- ◆ **Use on a flat ground.**
- ◆ **If you have any questions during installation, please do not hesitate to mail us by aftersales365@outlook.com**

TOOLS REQUIRED



PHILLIPS
SCREWDRIVER



SMALL
WRENCH



ELECTRIC DRILL
(RECOMMENDED)



2 PERSON
ASSEMBLY



UP TO 90 MIN.
ASSEMBLY

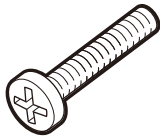
◆ This product must be assembled by 2 adults.

◆ We recommend using an electric screwdriver for ease, but a manual will work - you will just need a little more elbow grease!

Hardware Include

A

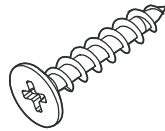
**M6*35MM
BOLT**



28PCS+1SPARE

B

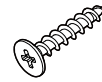
**M3.5*40MM
SCREW**



12PCS+1SPARE

C

**M3.0*25MM
SCREW**



3PCS+1SPARE

D

**M4.2*13MM
SCREW**



14PCS+1SPARE

E

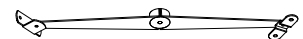
**M3.0*18MM
SCREW**



39PCS+1SPARE

L

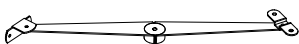
LEFT HINGE



2PCS

R

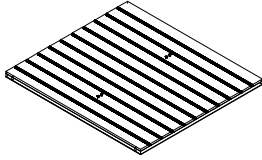
RIGHT HINGE



2PCS

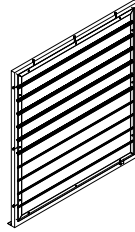
Parts Include

1 BOTTOM FLOOR



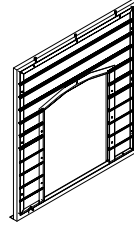
2PCS

2 FRONT PANEL
- LEFT



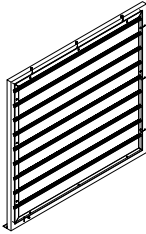
1PC

3 FRONT PANEL
- RIGHT



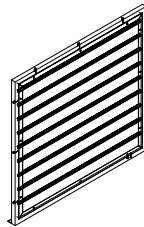
1PC

4 BACK PANEL
- RIGHT



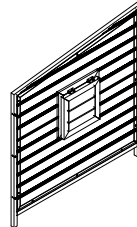
1PC

5 BACK PANEL
- LEFT



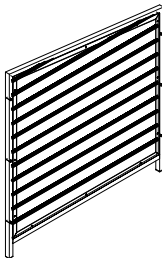
1PC

6 LEFT SIDE PANEL



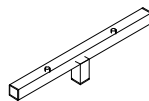
1PC

7 RIGHT SIDE PANEL



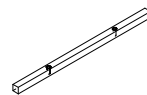
1PC

8 METAL BOTTOM PAD



2PCS

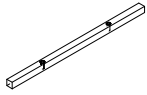
9 BACK CONNECTION
STRIP



3PCS

10

FRONT CONNECTION STRIP



3PCS

11

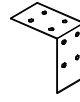
BACK METAL CONNECTOR



1PC

12

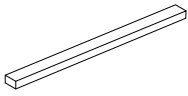
FRONT METAL CONNECTOR



1PC

13

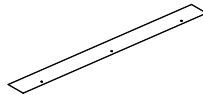
MIDDLE CONNECTION STRIP



1PC

14

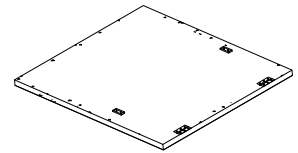
ROOF CONNECTION STRIP



1PC

15

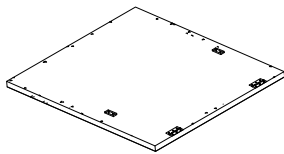
RIGHT ROOF



1PC

16

LEFT ROOF



1PC

17

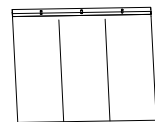
PLASTIC FEET



4PCS

18

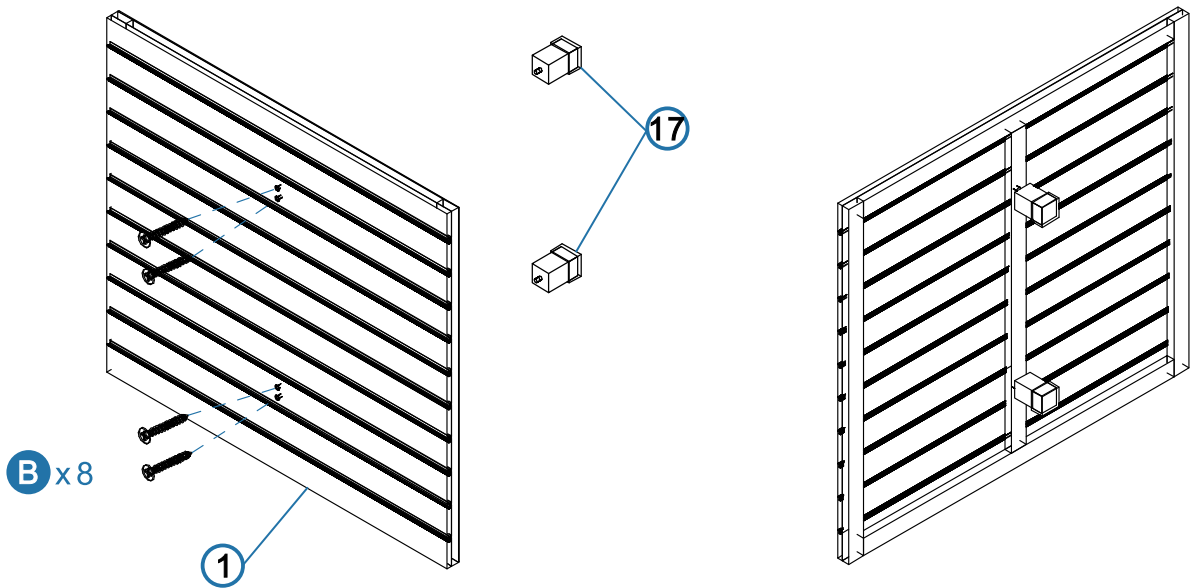
PVC CURTAIN



1PC

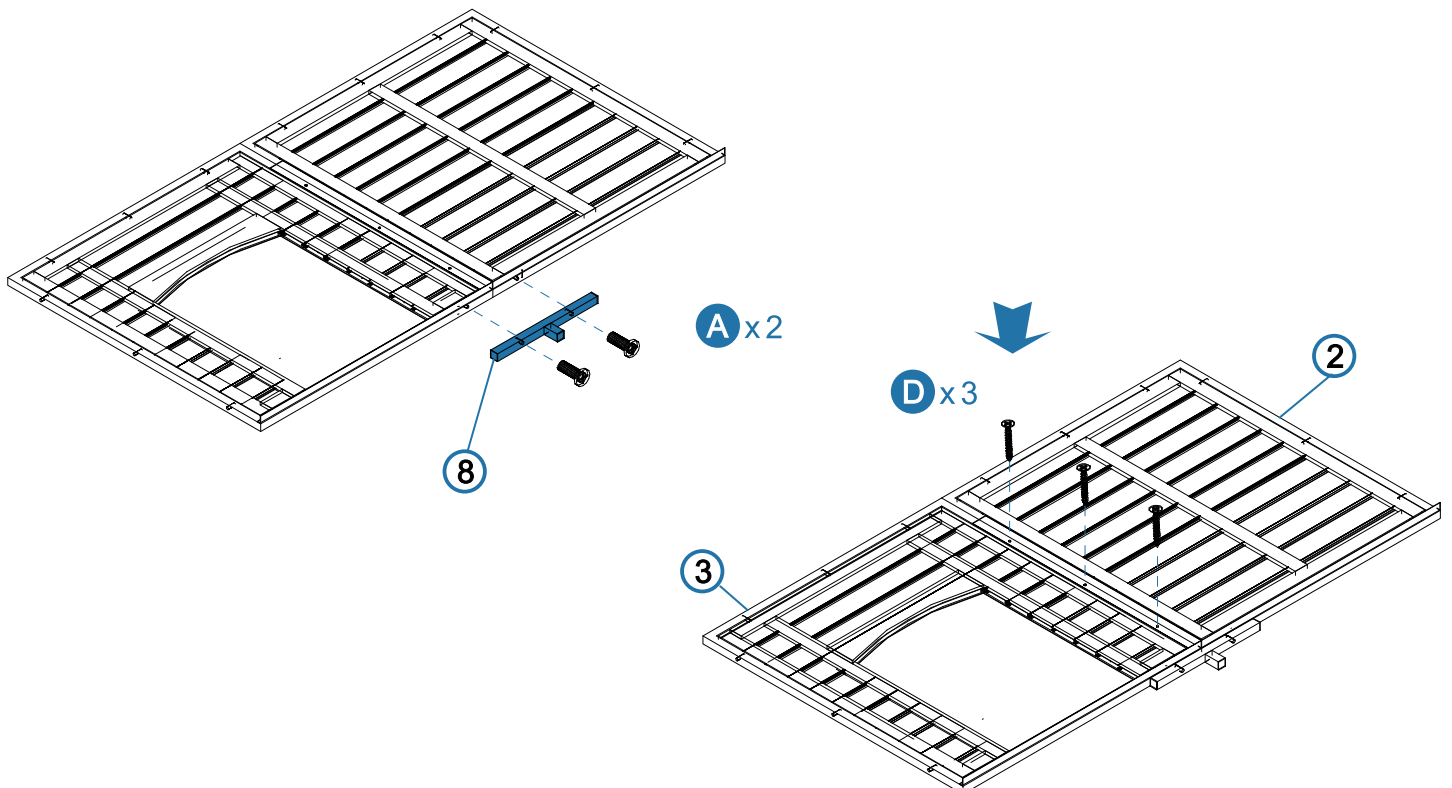
STEP 1

Screw the plastic feet 2xPart 17 to the bottom floor Part 1 by 4xB screws.
Repeat on the other Part 1.



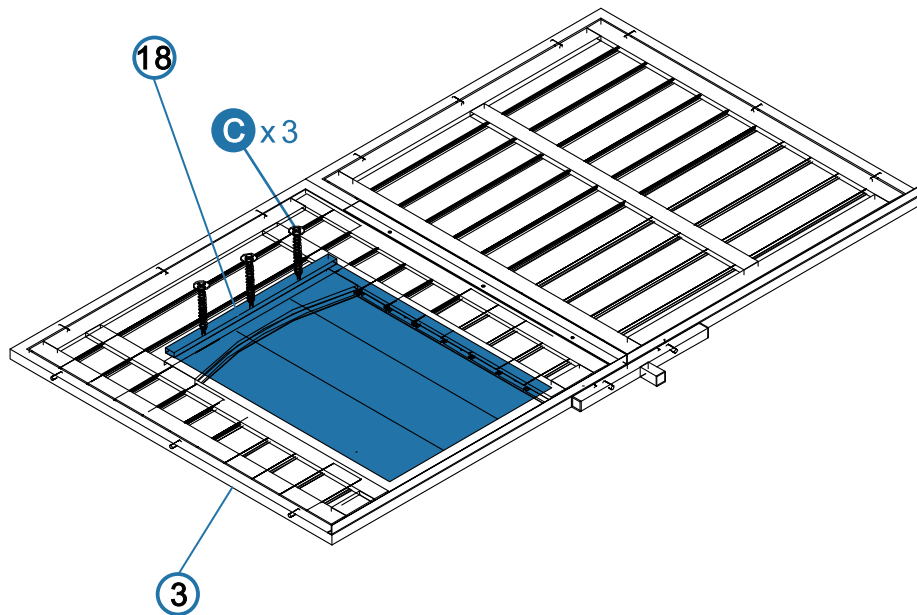
STEP 2

Attach the front panel Part 2 to Part 3, bolt the bottom pad Part 8 by 2xA bolts.
Screw 3xD screws to the INSIDE of front panel.



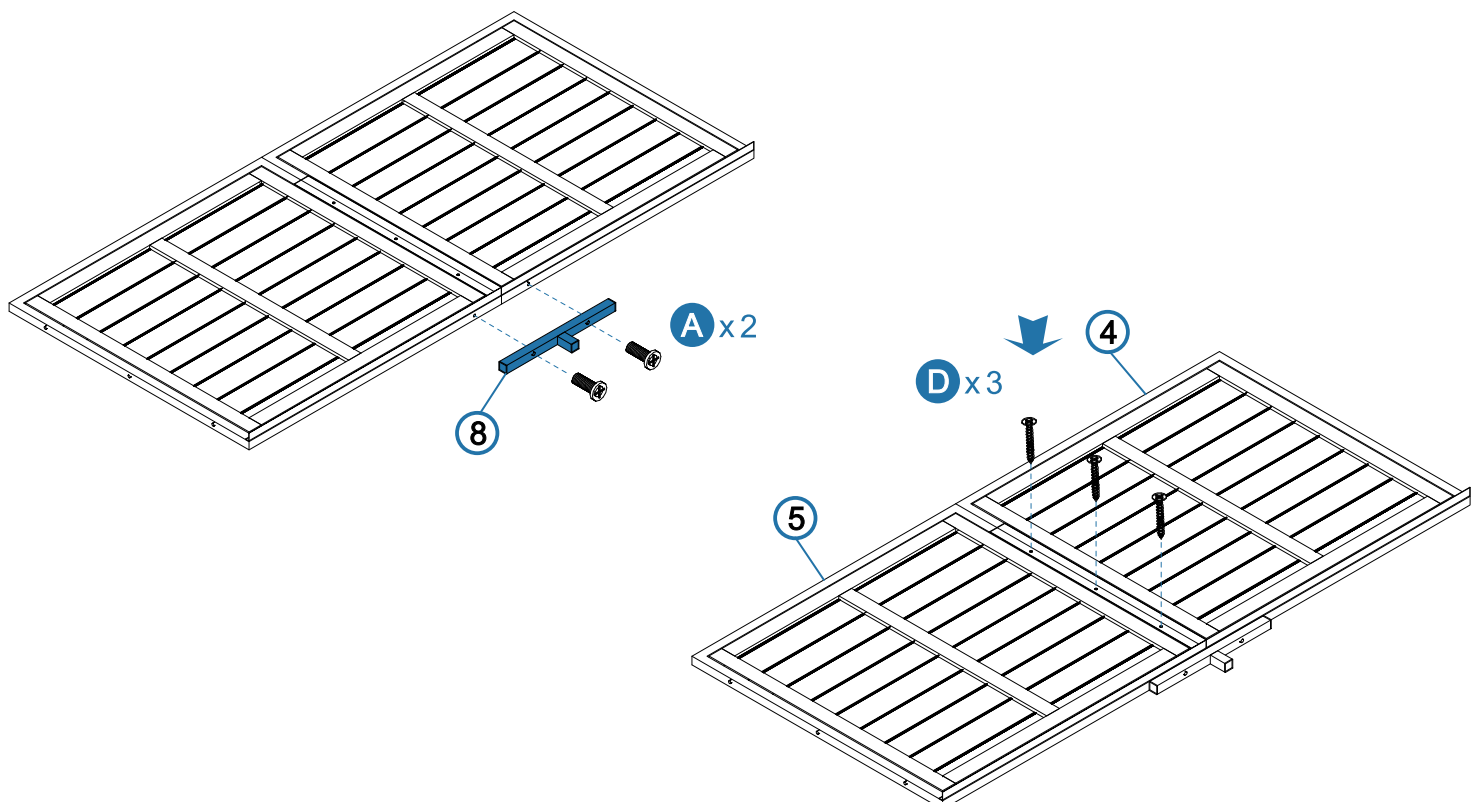
STEP 3

Screw the curtain Part 18 to the INSIDE of Part 3 by 3xC screws.



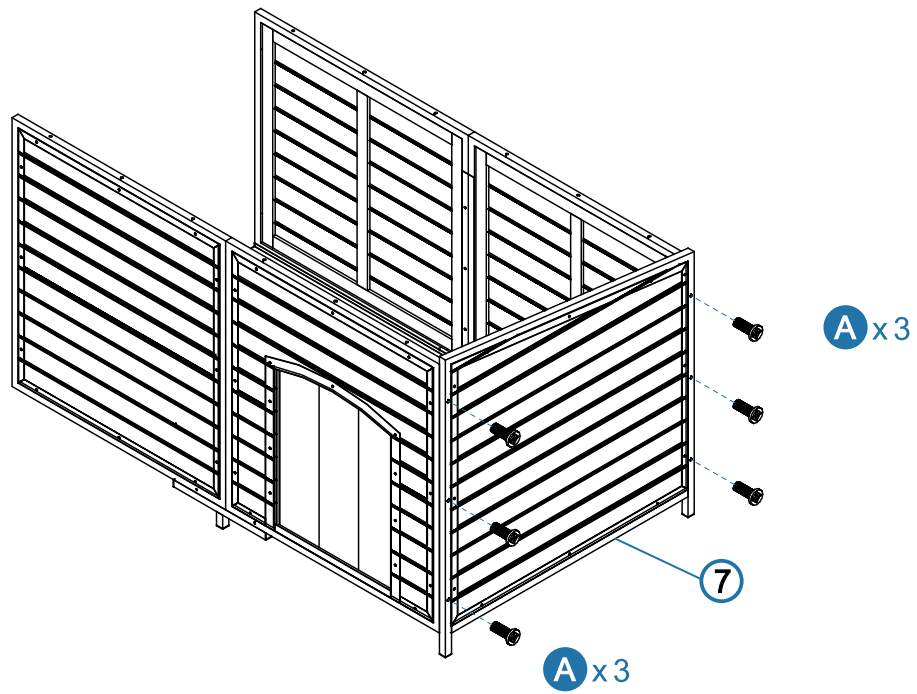
STEP 4

Attach the back panel Part 4 to Part 5, bolt the bottom pad Part 8 by 2xA bolts. Screw 3xD screws to the INSIDE of back panel.



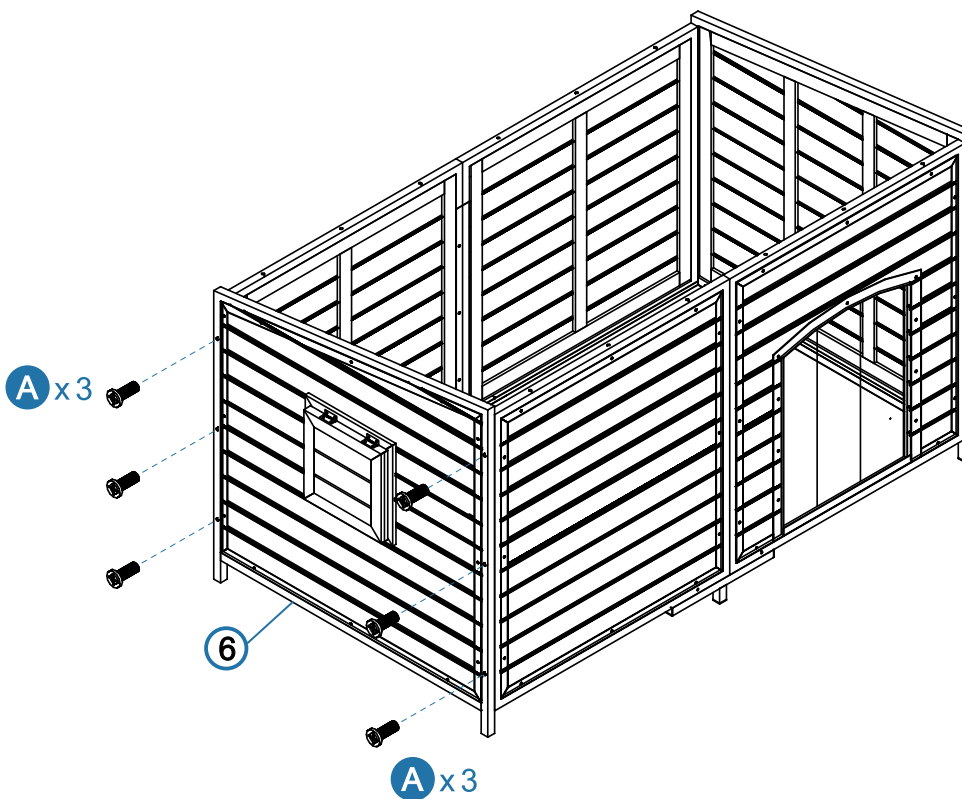
STEP 5

Attach the right side panel Part 7 to the front and back panel by 6xA bolts.



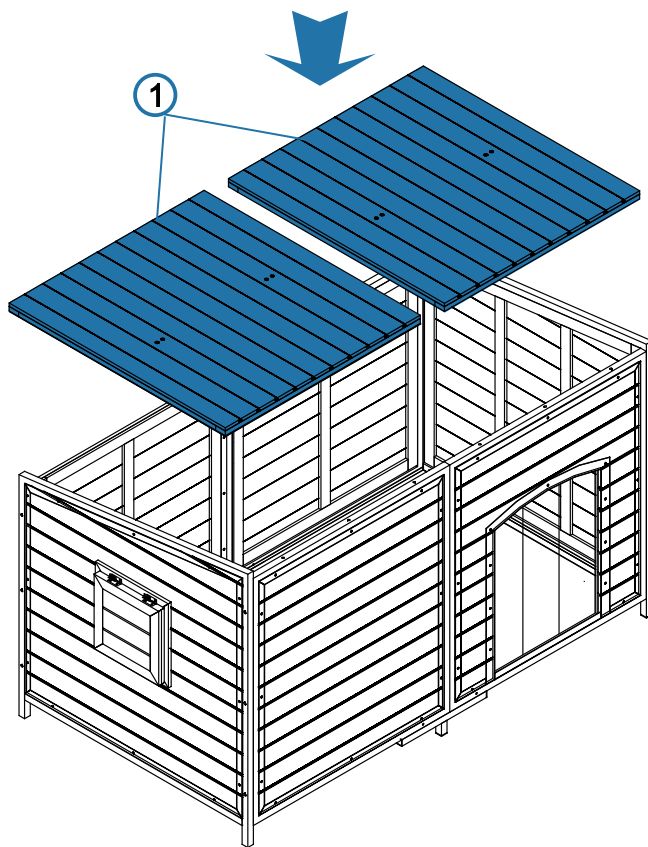
STEP 6

Attach the left side panel Part 6 to the Step 5 by 6xA bolts.



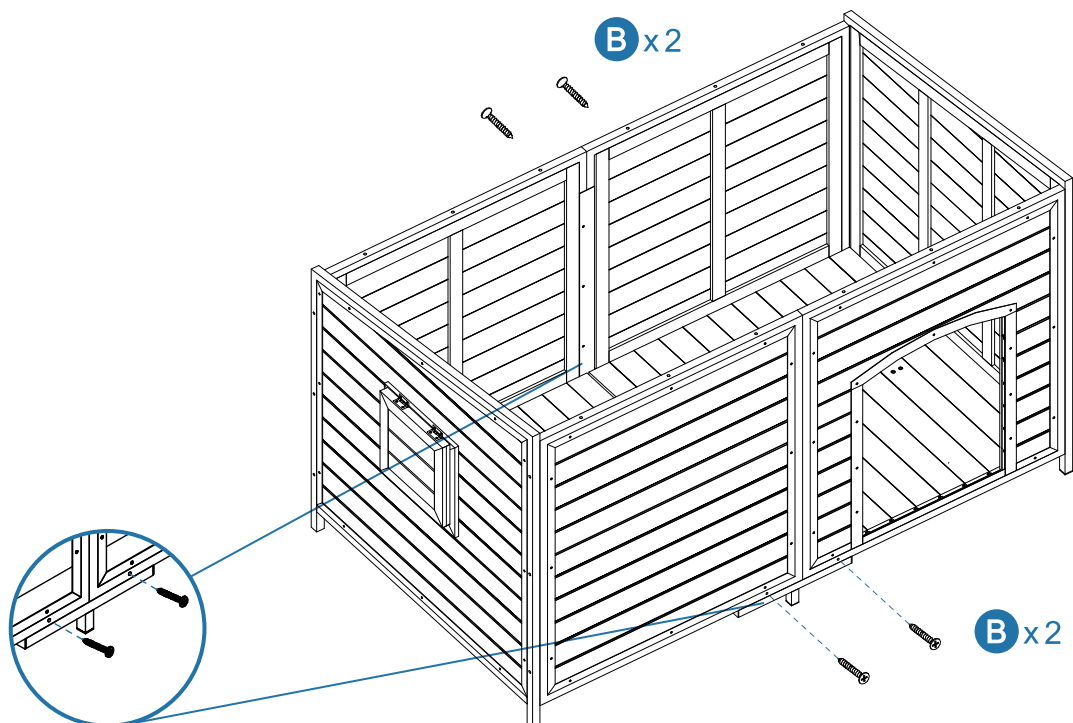
STEP 7

Put down the bottom floor 2xPart 1.



STEP 8

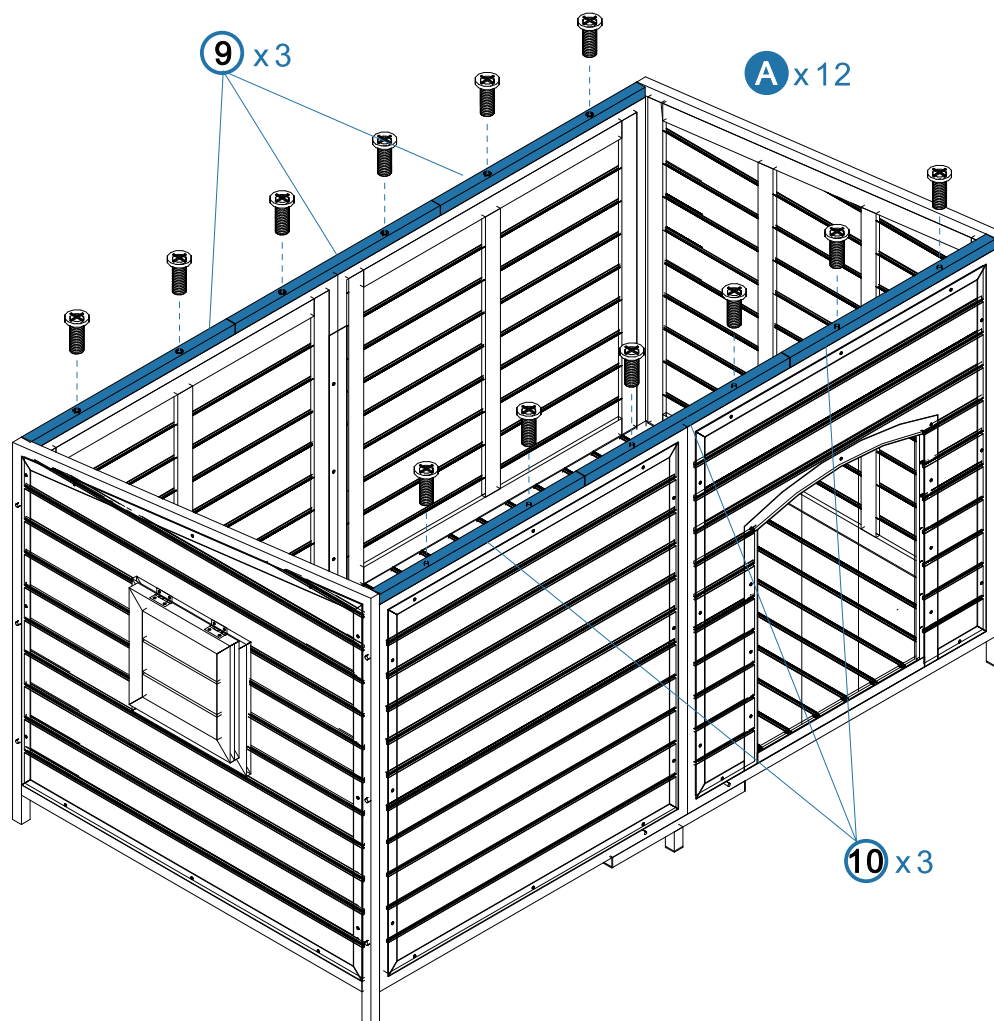
Screw 2xB screws on the bottom of front and back panel each side.



STEP 9

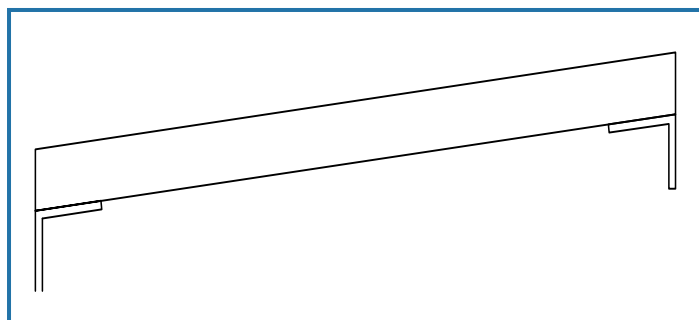
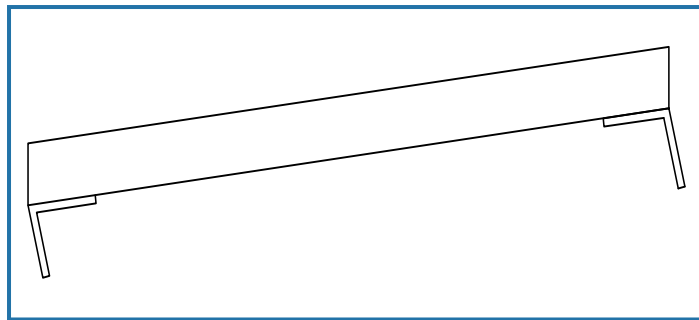
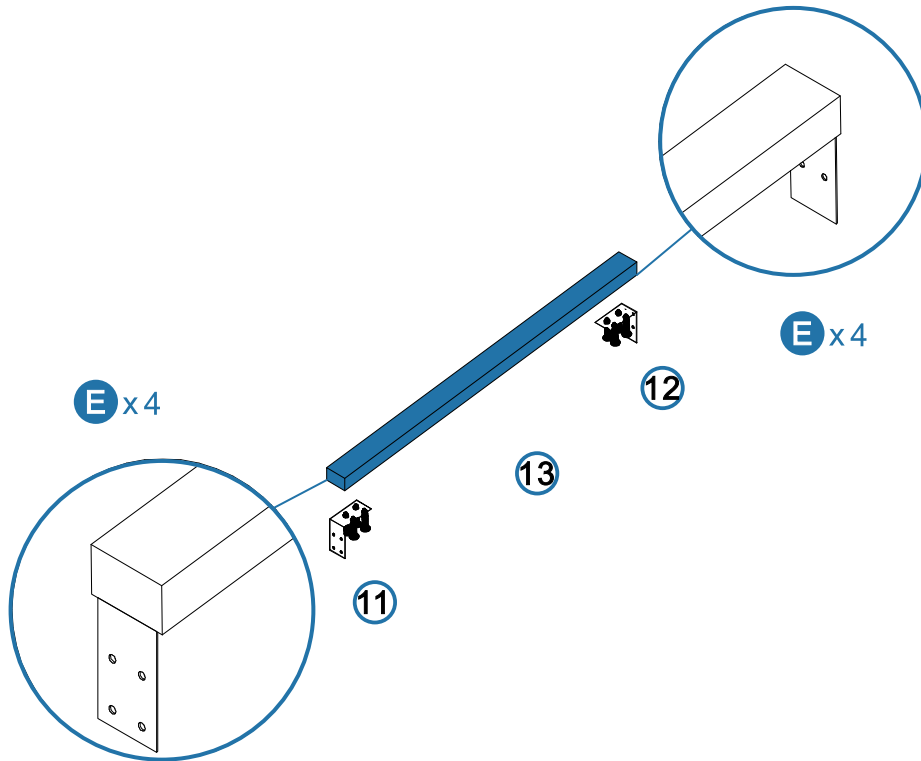
Bolt the back connection strip 3xPart 9, bolt Part 9 by 2xA bolts each one.

Bolt the front connection strip 3xPart 10, bolt Part 10 by 2xA bolts each one.



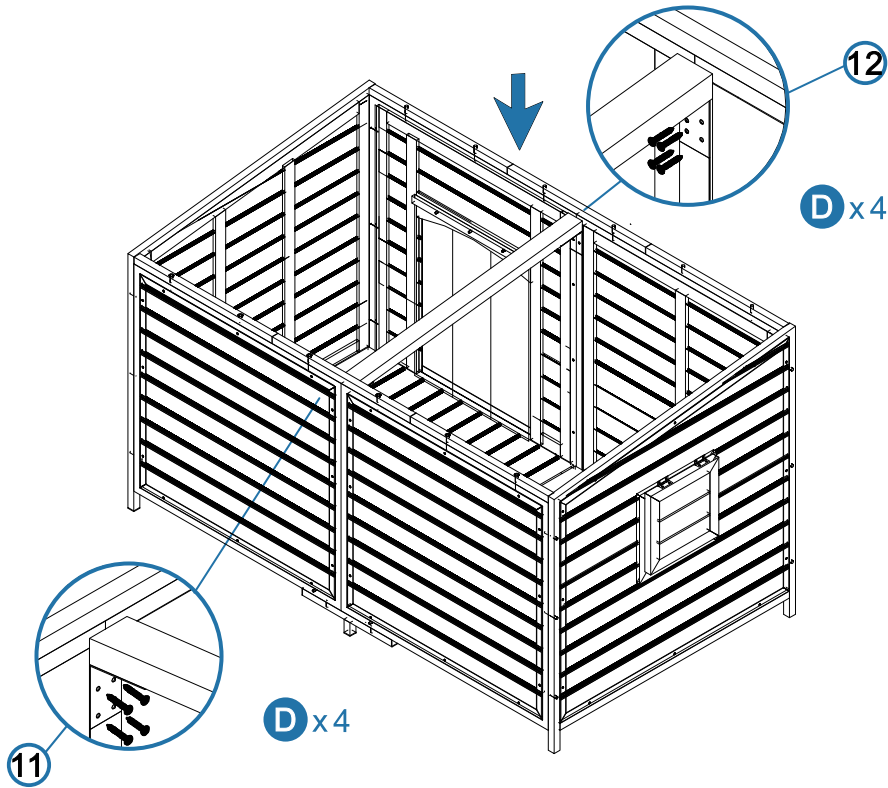
STEP 10

Screw the metal connector Part 11 & Part 12 to the middle connection strip Part 13 by 4xE screws each side. (The angle of the wood is consistent with the angle of the metal connection. The ones marked with a tick below are correct, and the ones marked with a cross are incorrect.)



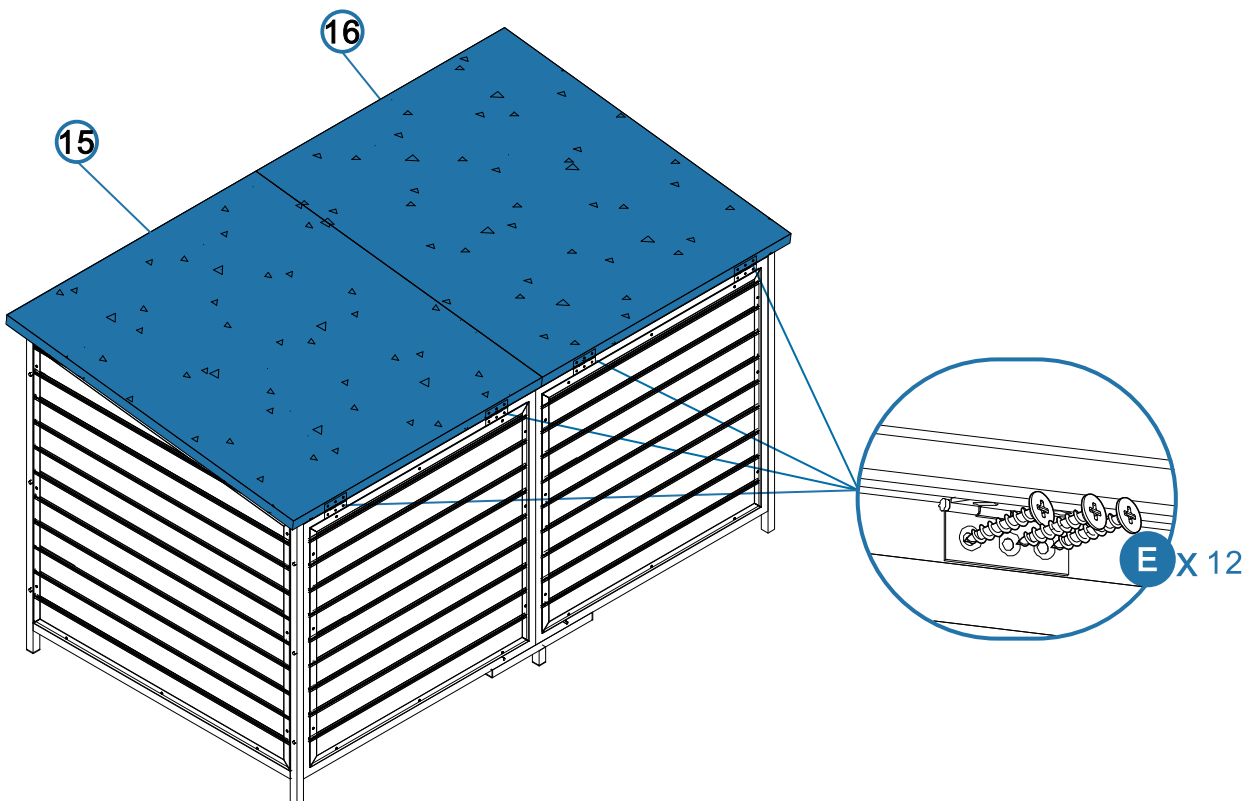
STEP 11

Attach the step 10 to the middle of house by 4xD screws each side.
(Note that Part 12 is in the front and Part 11 is in the back)



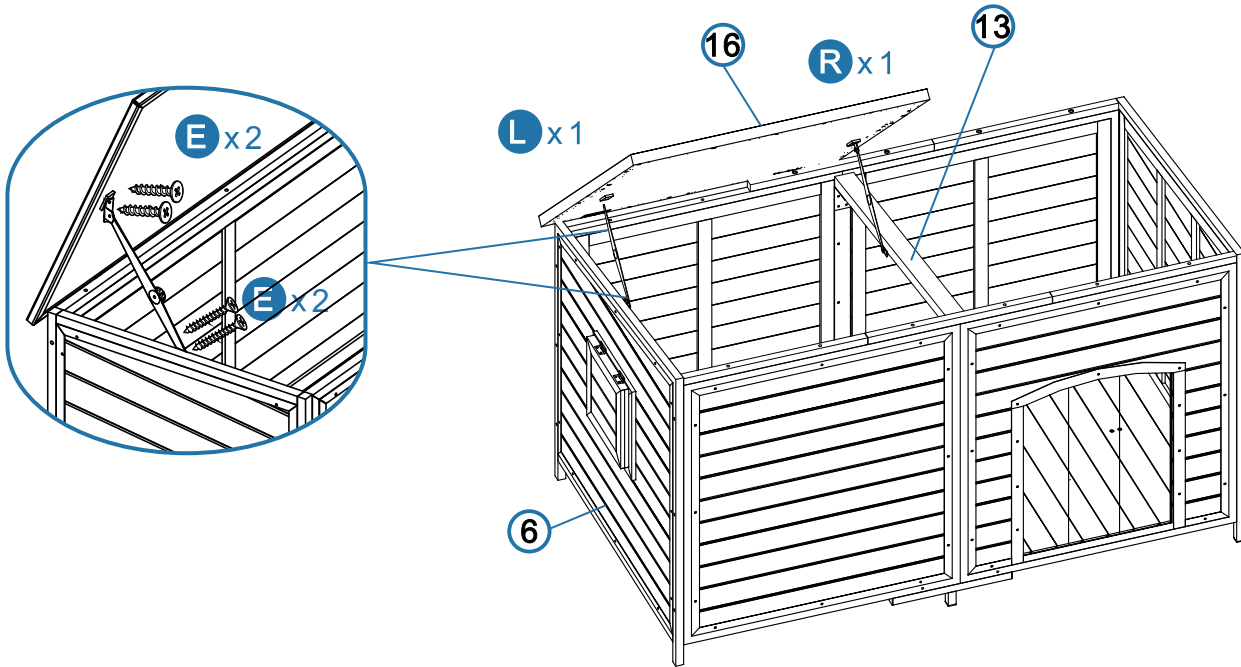
STEP 12

Screw the roof Part 15 & Part 16 by 12xE screws.



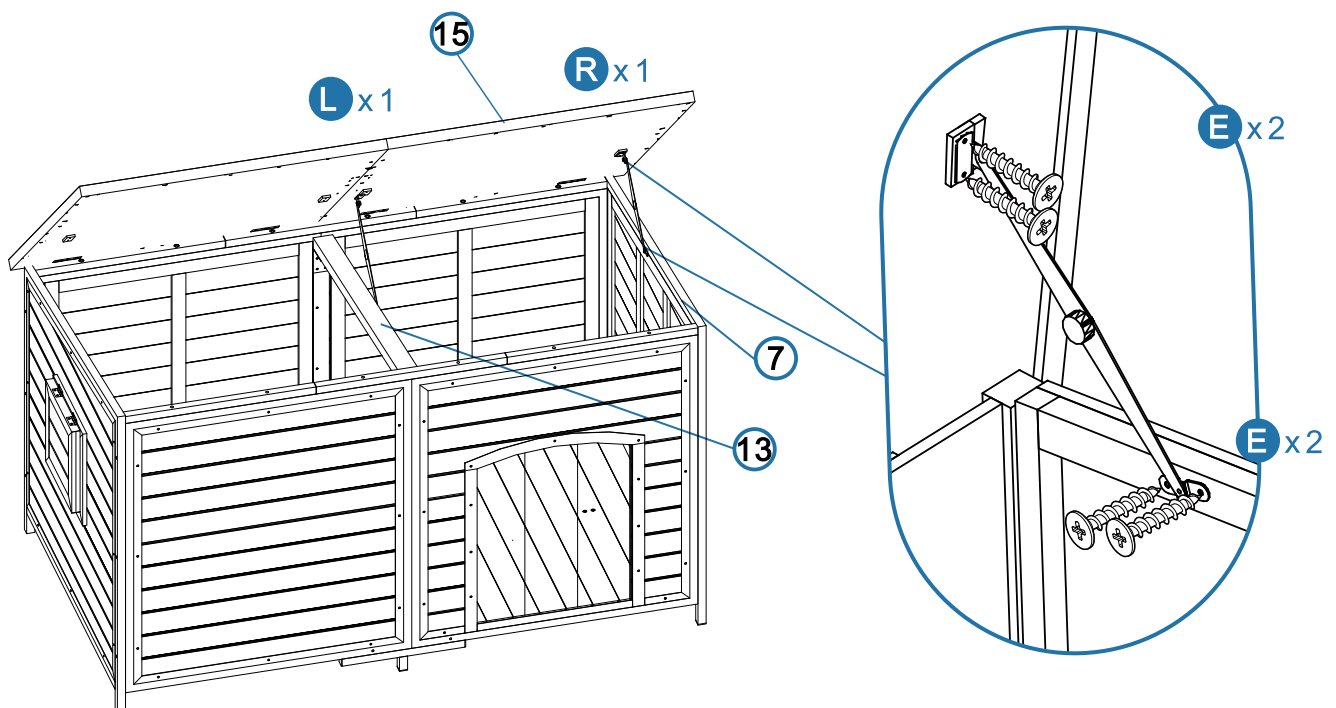
STEP 13

Screw the hinge 1xPart L & 1xPart R. One side of Part L & Part R to the roof Part 16 by 2xE screws, the other side of Part L to the left side panel Part 6 by 2xE screws, the other side of Part R to the side of Part 13.



STEP 14

Screw the hinge 1xPart L & 1xPart R. One side of Part L & Part R to the roof Part 15 by 2xE screws, the other side of Part R to the right side panel Part 7 by 2xE screws, the other side of Part L to the side of Part 13.



The screws should be aligned with the predrilled holes. Screw deviation on both sides will cause the roof to be unable to close!

STEP 15

Screw the roof connection strip Part 14 by 3xE screws. (Make sure that one end should be aligned with the front of the roof. If it is aligned with the back of the roof, the roof will not open.)

