

| Bathroom Vanities |

Installation Guide

Installation

Required Tools(Not Included)



Screwdriver



Silicone

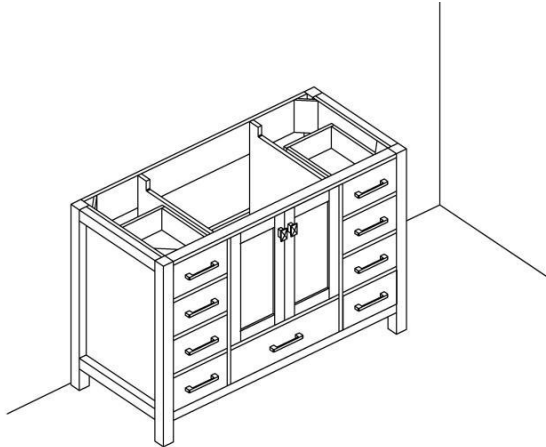


Tape



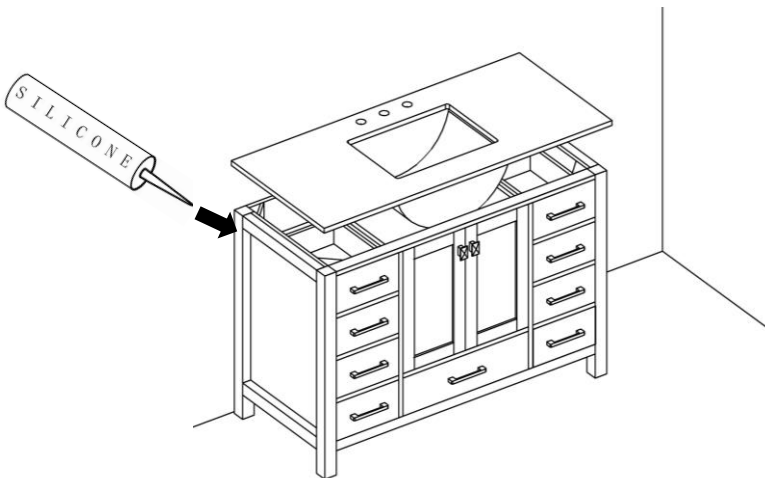
Pencil

1



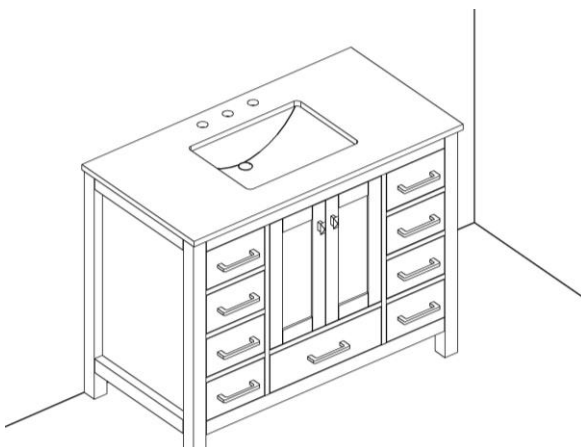
Set the bathroom cabinet to suitable position

2



Seal counter-top onto cabinet with silicone

3



Suggestion: Fix the faucet onto the Top before sealing top onto cabinet

Installation

Required Tools(Not Included)



Screwdriver



Silicone



Tape



Pencil



Electric Drill



Drilling Bit



Spirit Level

Supplied Spare Part



(Anchors)

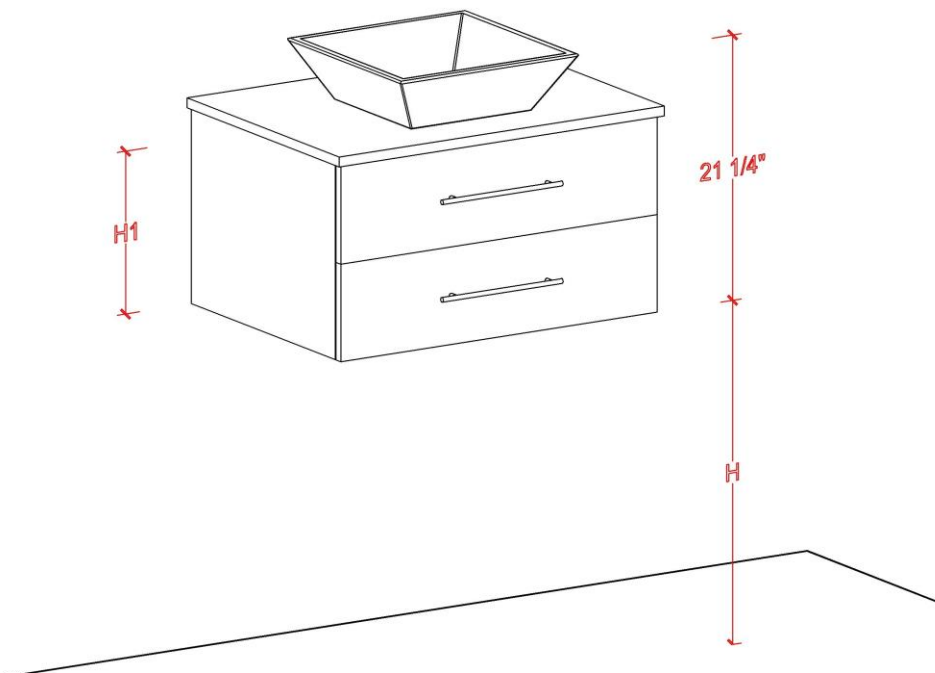


(Screws)



(hanger)

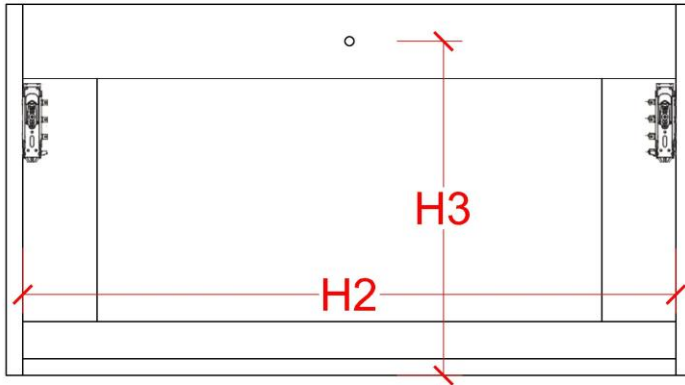
1



Measure the cabinet with suitable height to get **H**

Installation

2

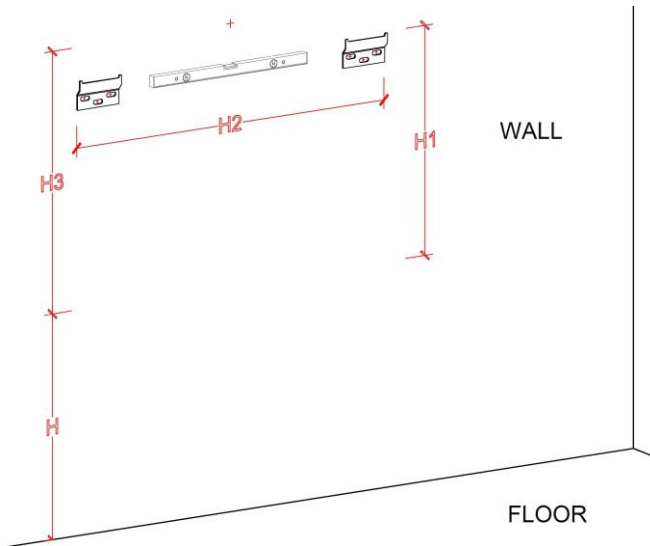


BACK VIEW



Measure the back of cabinet to get **H1, H2 AND H3**

3



Mark the position for fixing the hanger onto wall with pencil

4



Drill the hole with suitable drill bite on marked position, then insert the anchors into hole

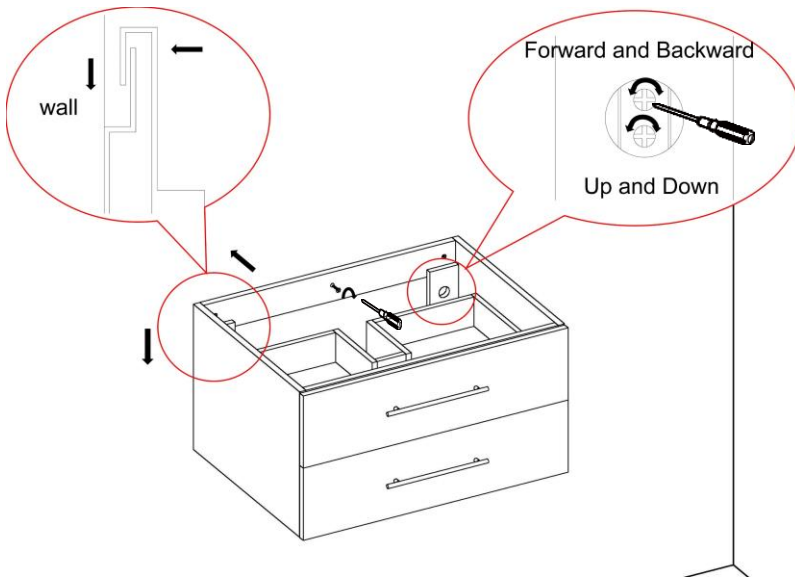
Installation

5



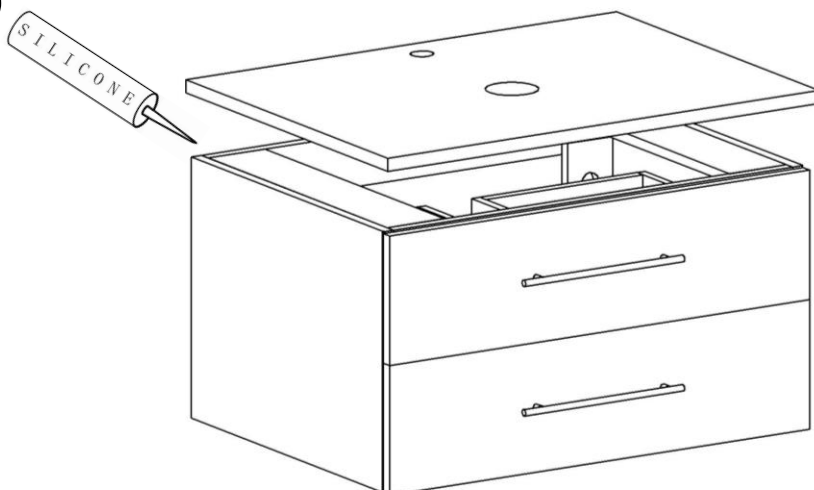
Fix the hanger onto wall with screws

6



Hang cabinet onto the hanger and adjust the hang hardware, then screw the cabinet to the wall

7

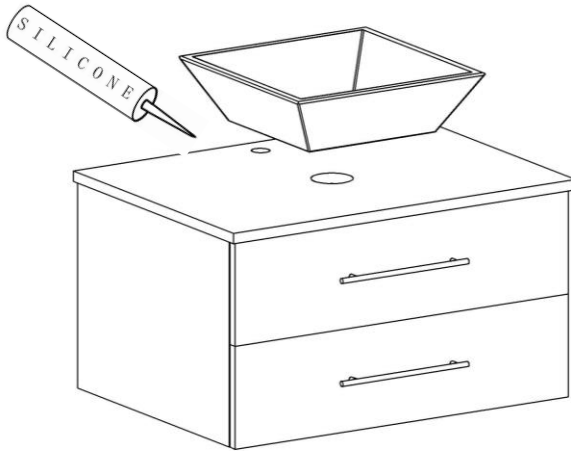


Seal counter-top onto cabinet with silicone

Suggestion: Fix the faucet onto the Top before sealing top onto cabinet

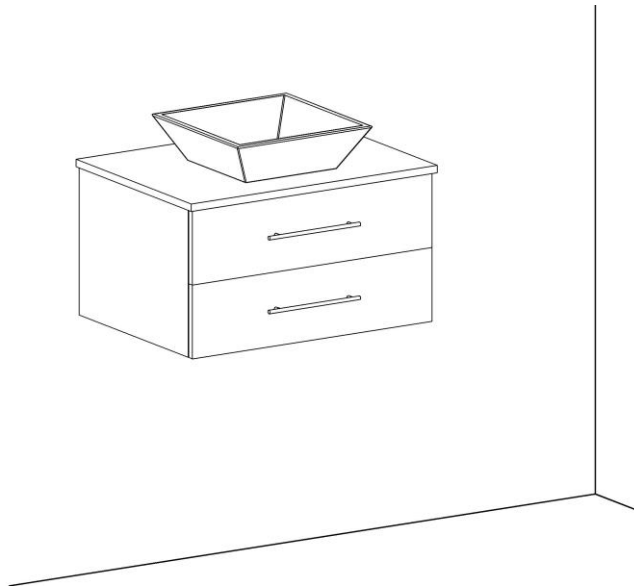
Installation

8



**Seal sink onto top
with silicone**

9



For clarification, please contact us

All dimensions are approximate and subject to standard tolerance.

Specification subject to change without prior notice