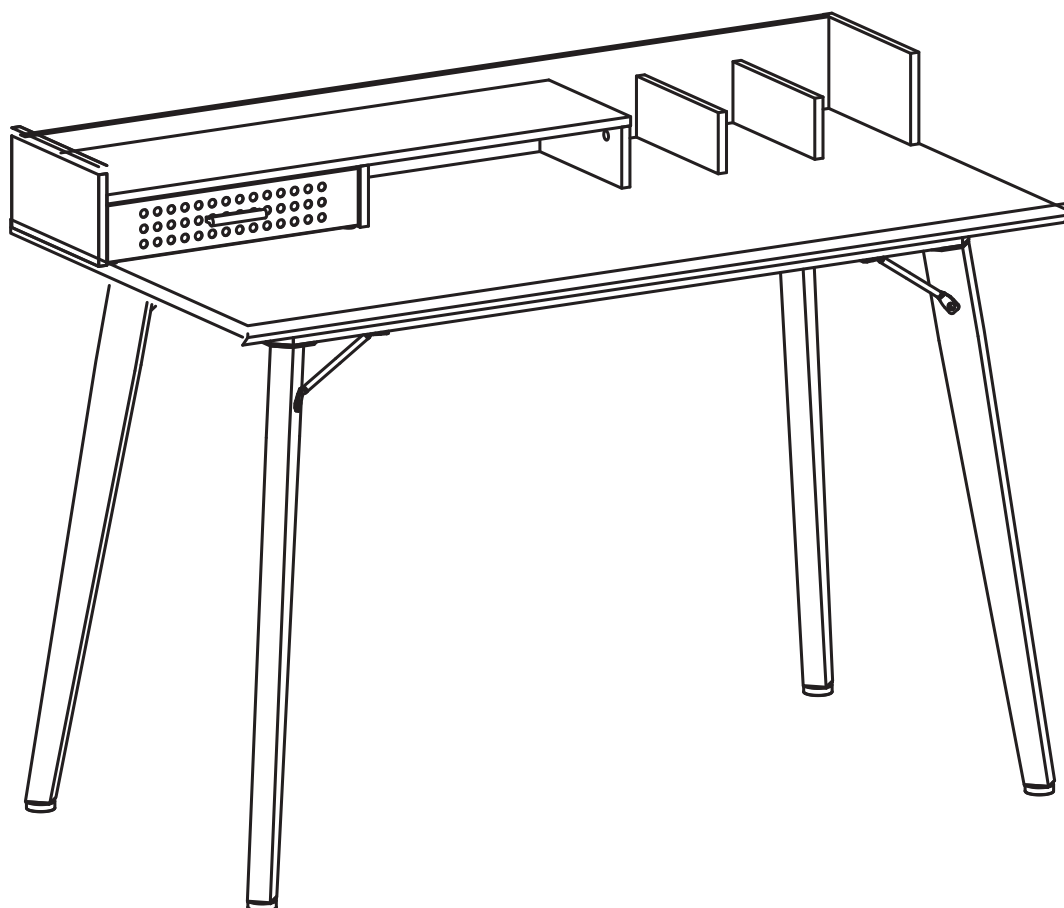


Installation & Assembly



REFERENCE NO:

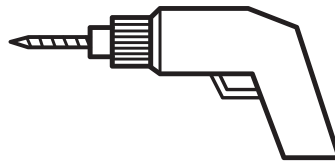
Please retain this booklet as you will be asked to quote this number for any warranty or product related queries

Thank you for purchasing this desk. Please read the instructions carefully before use to ensure safe and satisfactory operation of this product.

Pre-assembly preparation

Please ensure instructions are read in full before attempting to assemble this product

Necessary Tools



Note: Some of the tools shown here are optional and are required only for quick assembly of this product

Please check the pack contents before attempting to assemble this product. A full checklist of components is given in this leaflet. If any components are missing, please contact the retailer from whom you bought this product.

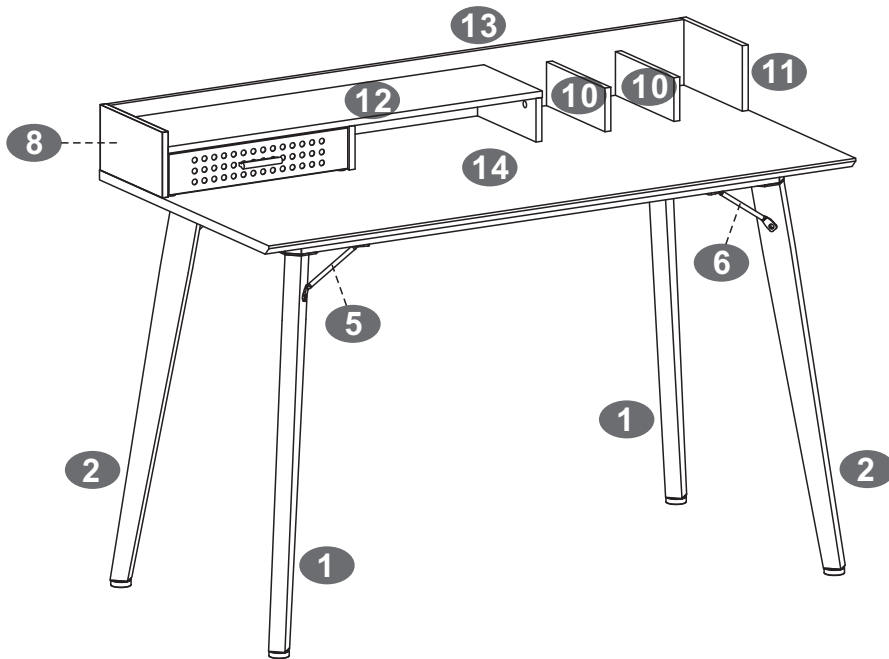
This product is **HEAVY**, it should be assembled as near as possible to the point of use. **TAKE CARE WHEN LIFTING** to avoid personal injury and (or) damage to the product.



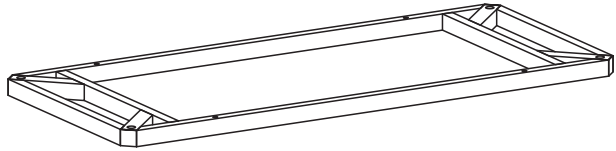



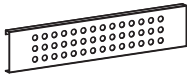
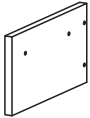
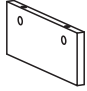
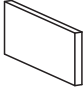
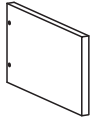
This product takes approximately **30 MINUTES** to assemble with **2 PEOPLE**.


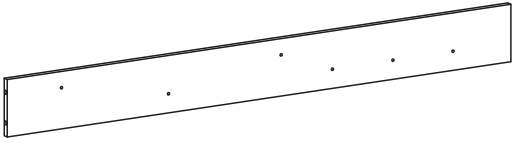
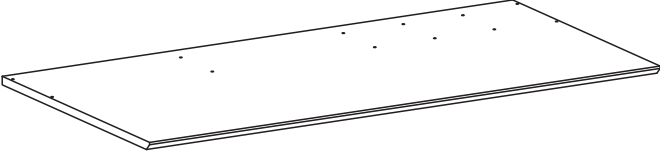
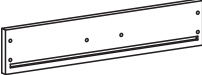

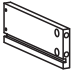




The fittings pack contains **SMALL ITEMS** which should be **KEPT AWAY FROM YOUNG CHILDREN**.

Read this leaflet in full before commencing assembly.

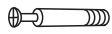



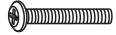


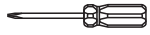
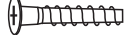
■ PARTS LIST



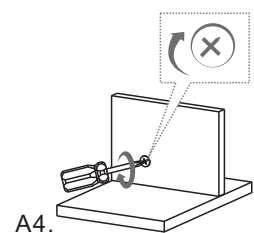
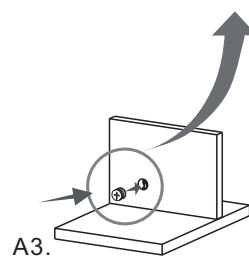
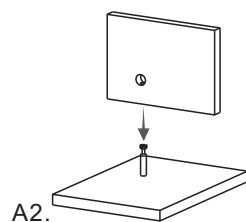
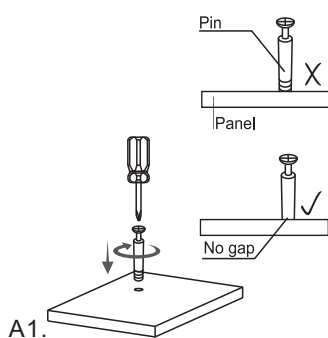
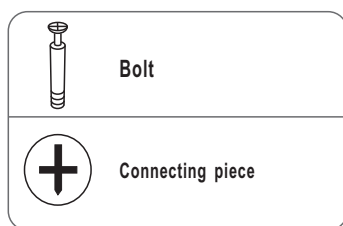
 <p>1</p> <p>X2</p>	 <p>2</p> <p>X2</p>	 <p>3</p> <p>X1</p>	
 <p>4</p> <p>X4</p>	 <p>5</p> <p>X2</p>	 <p>6</p> <p>X2</p>	 <p>7</p> <p>X1</p>
 <p>8</p> <p>X1</p>	 <p>9</p> <p>X2</p>	 <p>10</p> <p>X2</p>	 <p>11</p> <p>X1</p>

 <p>12</p> <p>X1</p>	 <p>13</p> <p>X1</p>		
 <p>14</p> <p>X1</p>	 <p>15</p> <p>X1</p>	 <p>16</p> <p>X1</p>	
 <p>17</p> <p>X1</p>	 <p>18</p> <p>X1</p>	 <p>19</p> <p>X1</p>	 <p>20</p> <p>X1</p>
 <p>21</p> <p>X6</p>			

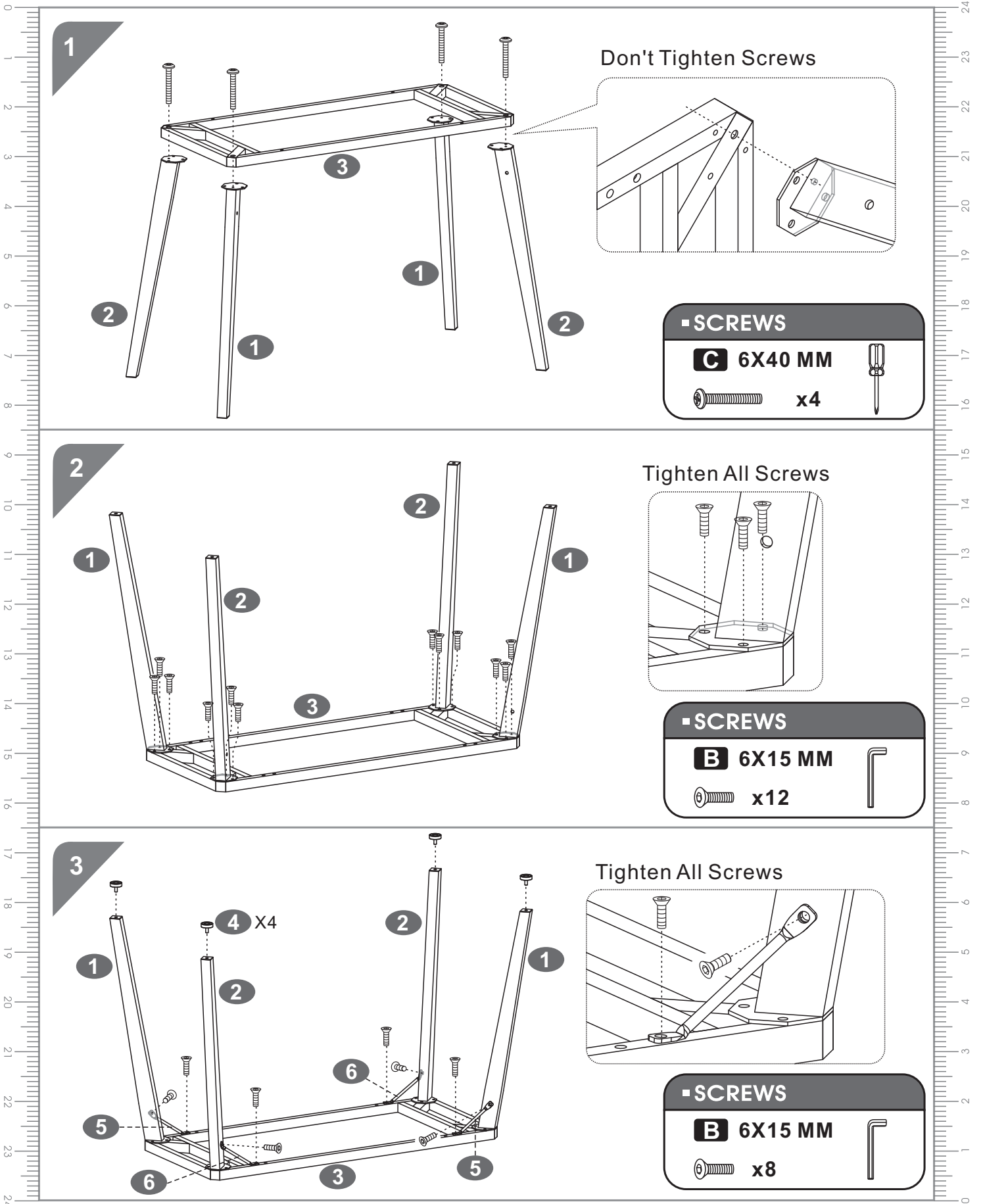
SCREWS LIST

PART	QTY.	ITEM		PART	QTY.	ITEM	
A	14	6X25 MM		F	4	4X35 MM	
B	20	6X15 MM		G	14	Φ 12 MM	
C	8	6X40 MM			1	M 4	
D	2	4X20 MM			1		
E	18	5X40 MM					

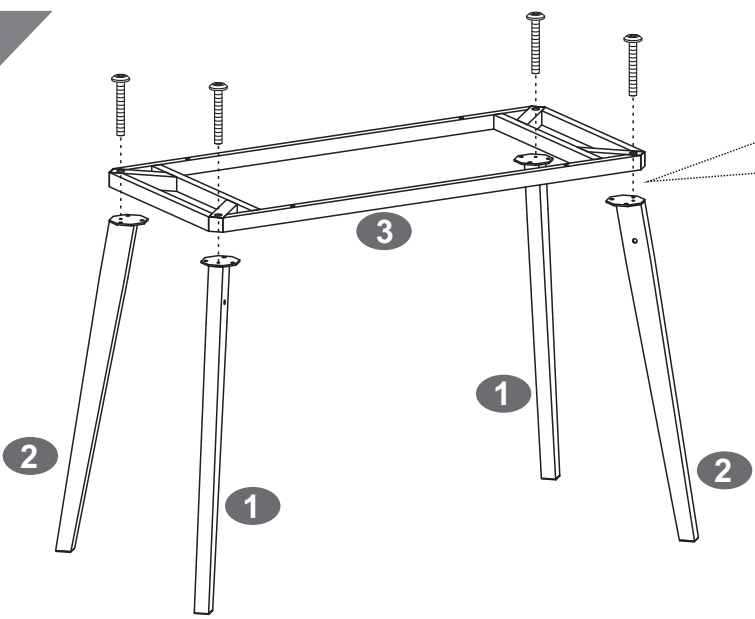
6X25MM BOLT INSTALLATION AS BELOW:



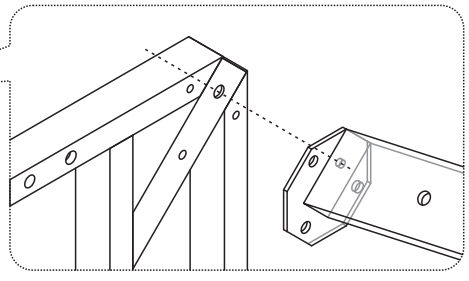
ASSEMBLY STEPS:



1



Don't Tighten Screws

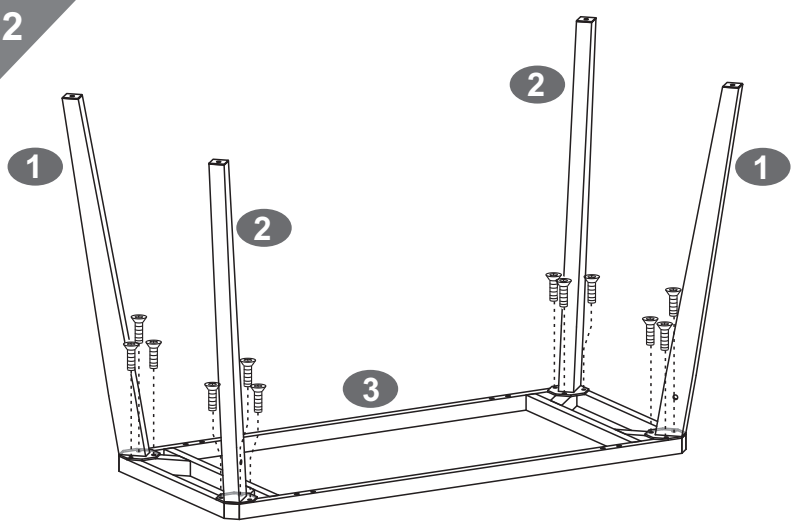


SCREWS

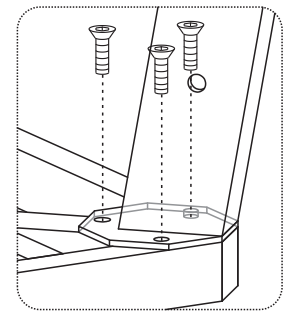
C 6X40 MM

x4

2



Tighten All Screws

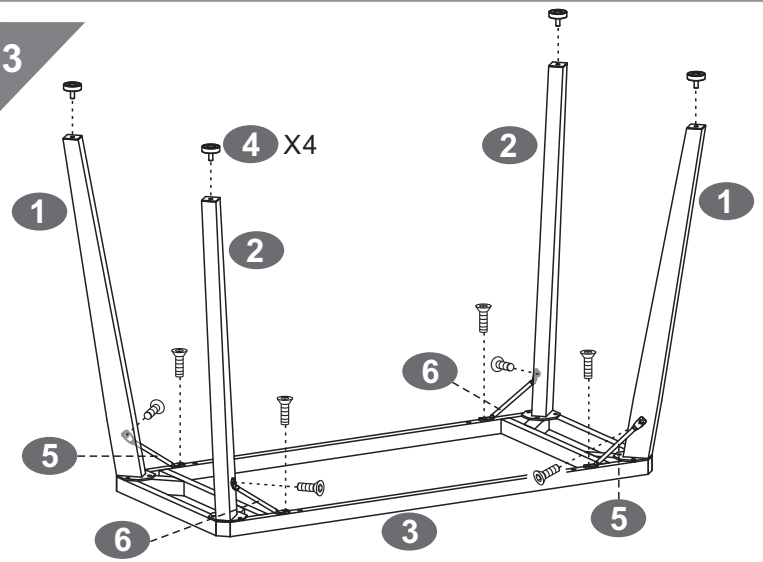


SCREWS

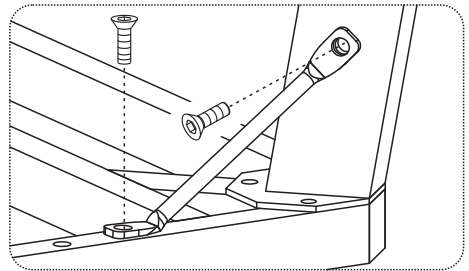
B 6X15 MM

x12

3



Tighten All Screws



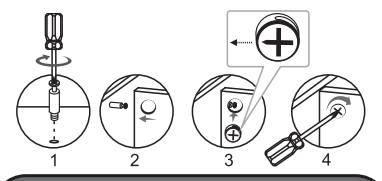
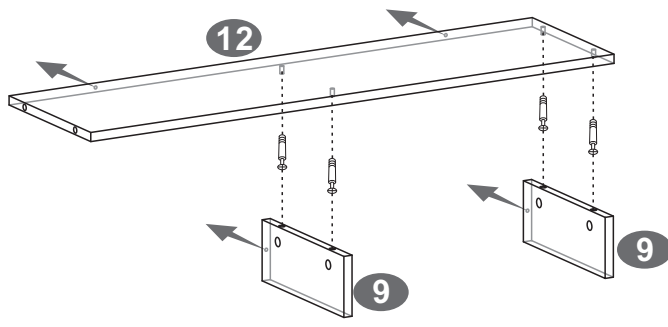
SCREWS

B 6X15 MM

x8

0
1
2
3
4
5
6
7
8
9
10
11
12
13
14
15
16
17
18
19
20
21
22
23
24

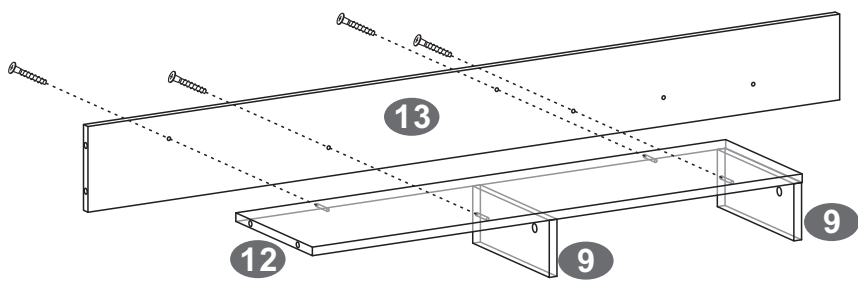
4



SCREWS

A 6X25 MM	
x4	
G Φ 12 MM	
x4	

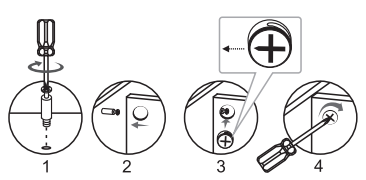
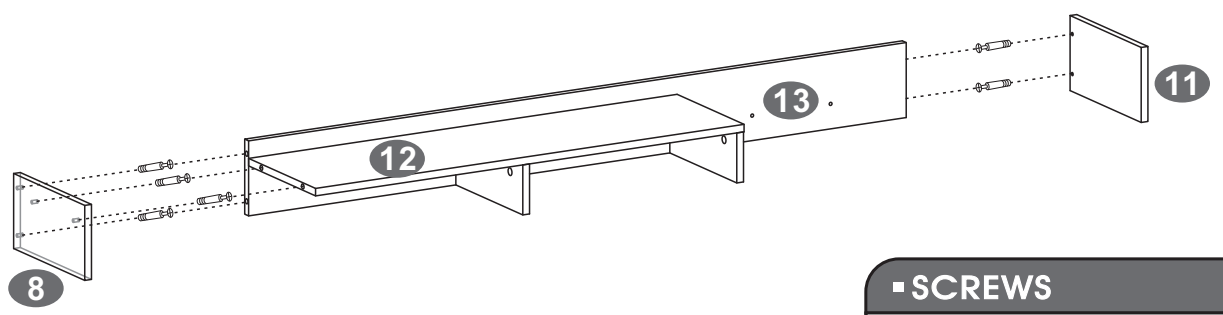
5



SCREWS

E 5X40 MM	
x4	

6



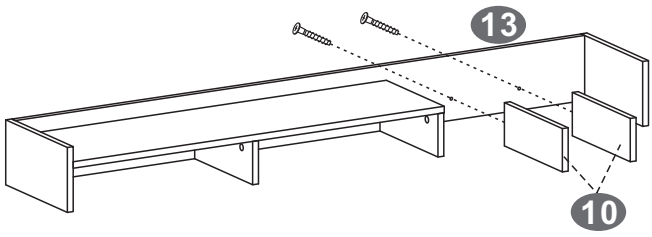
SCREWS

A 6X25 MM	
x6	
G Φ 12 MM	
x6	

24
23
22
21
20
19
18
17
16
15
14
13
12
11
10
9
8
7
6
5
4
3
2
1
0

0
1
2
3
4
5
6
7
8
9
10
11
12
13
14
15
16
17
18
19
20
21
22
23
24

7



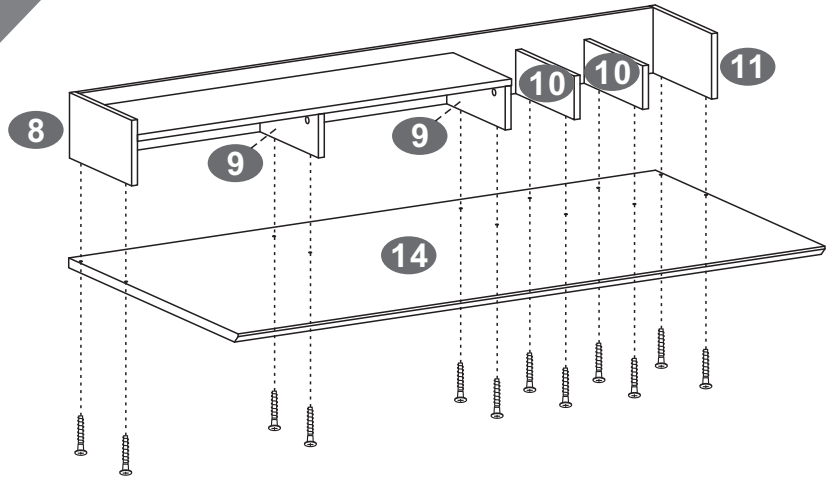
SCREWS

E 5X40 MM

x2



8



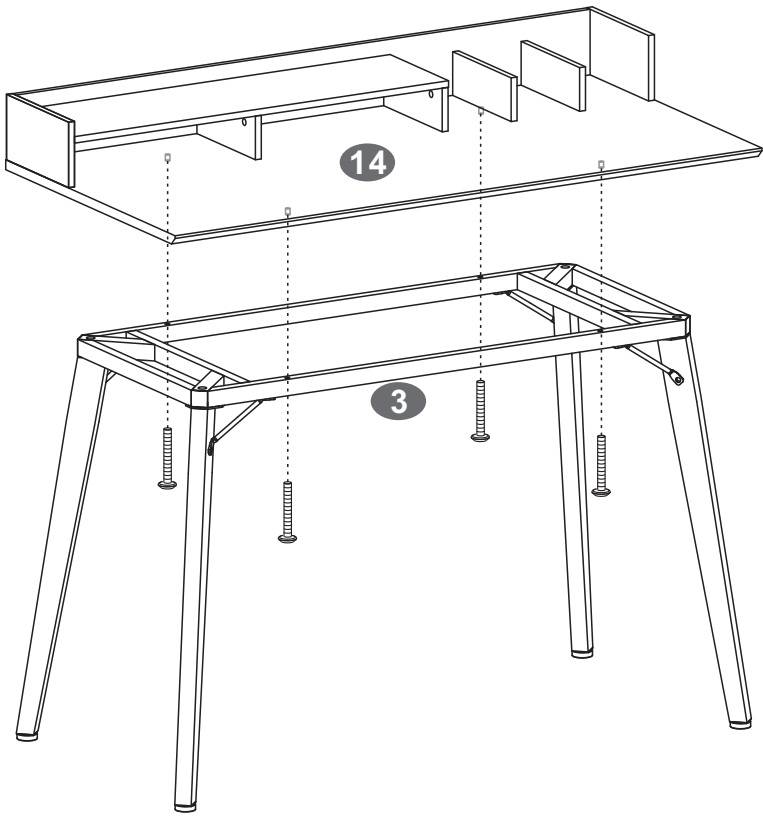
SCREWS

E 5X40 MM

x12



9



SCREWS

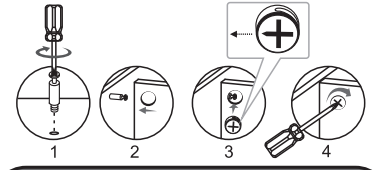
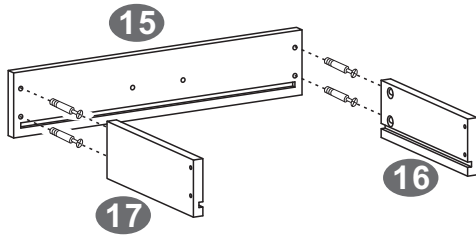
C 6X40 MM


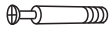


x4



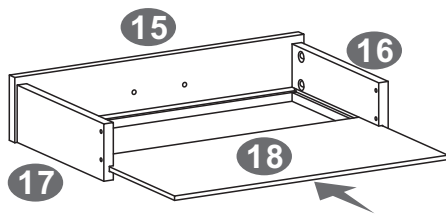
24
23
22
21
20
19
18
17
16
15
14
13
12
11
10
9
8
7
6
5
4
3
2
1
0

10

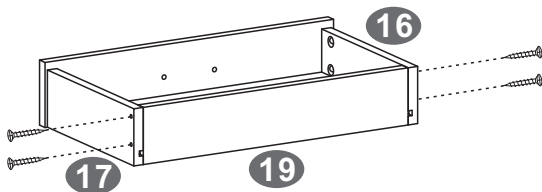




- SCREWS		
A	6X25 MM	
	 x4	
G	Φ 12 MM	
	 x4	

11

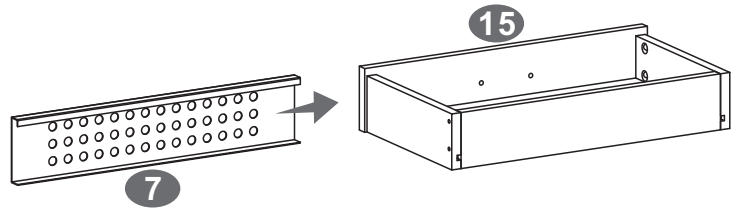


12

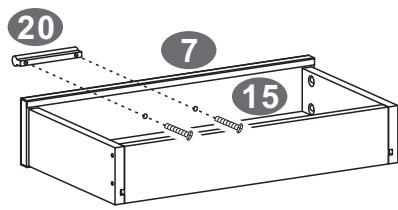


- SCREWS		
F	4X35 MM	
	 x4	

13



14



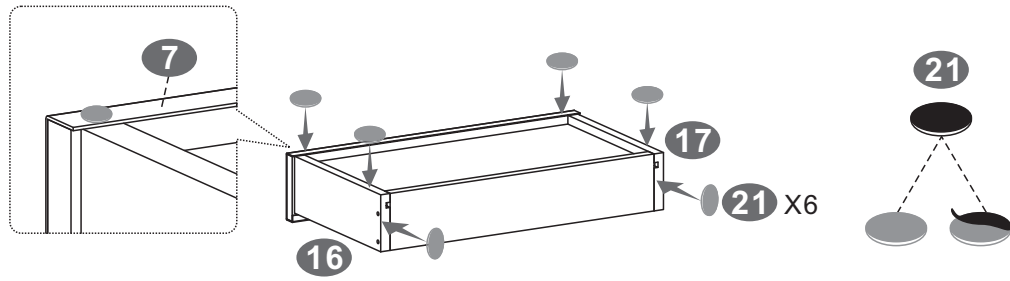
■ SCREWS

D 4X20 MM

 x2



15



16

