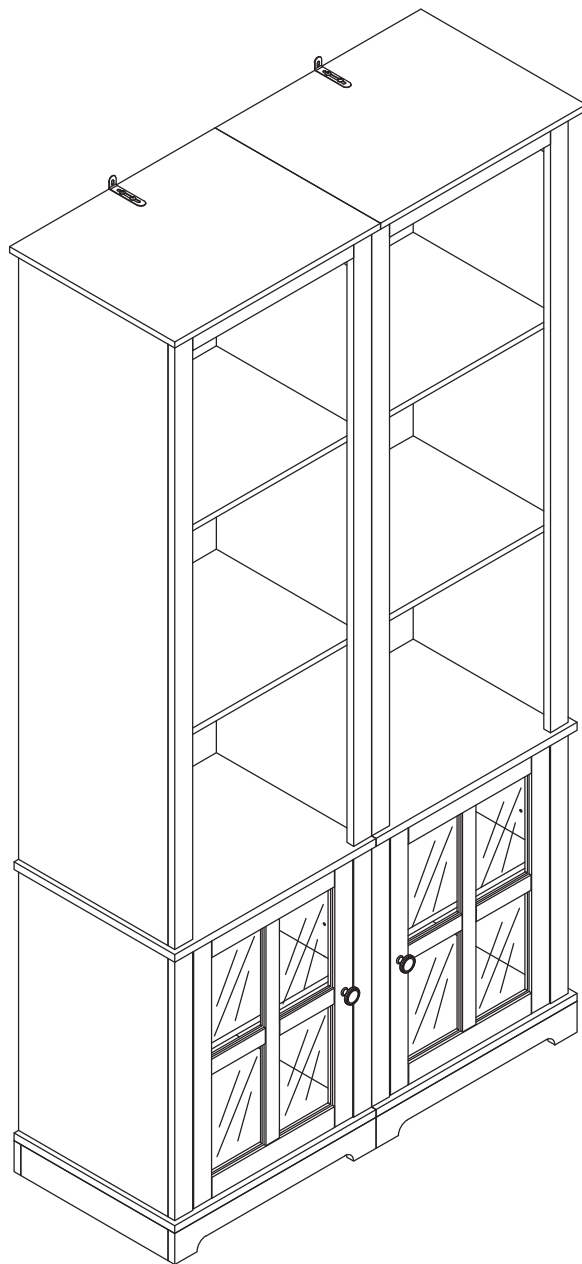
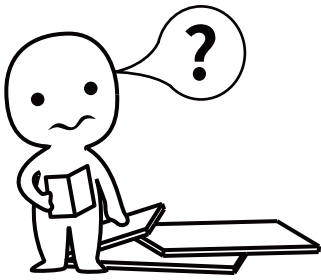


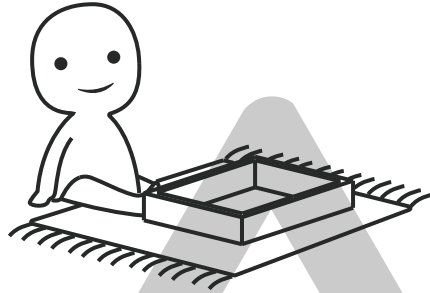
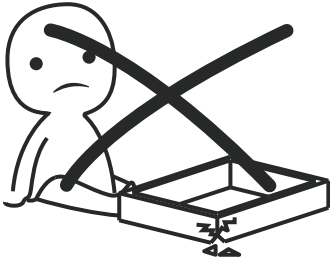
# Display Cabinet





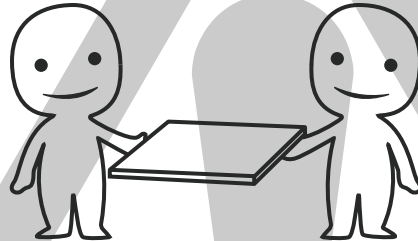
### **IMPORTANT INFORMATION!**

please read the entire manual before starting to assemble and/or using this product. follow the manual thoroughly and keep it for further reference.



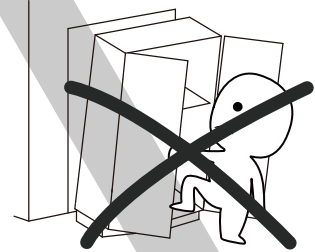
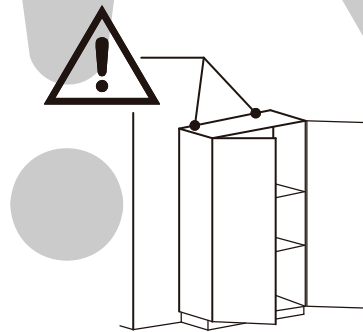
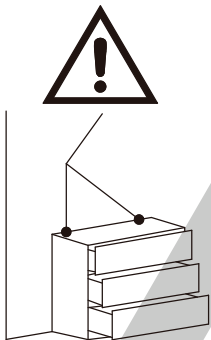
### **AVOID SCRATCHES!**

In order to avoid scratching this furniture should be assembled on a soft layer- could be a rug.



### **IMPROVE EFFICIENCY !**

Try to find a partner to install with you, which can speed up the installation efficiency and shorten the time.



### **ANTI-TOPPLE WARNING !**

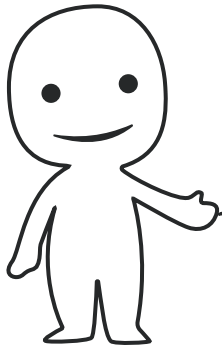
Overtured furniture can cause serious or fatal crush injuries. To prevent tipping over, be sure to use the wall attachment, if not included with this product. Please purchase the wall attachment that fit your wall. If unsure, seek professional advice. Please read and follow each step of the instructions carefully.

### **IMPORTANT !**

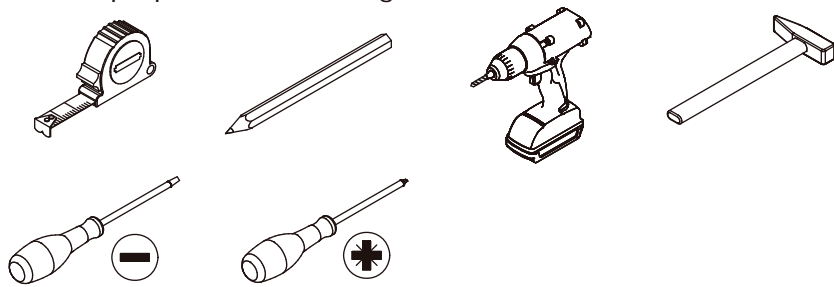
It is important that any product which is assembled using any kind of screw is re-tightened 2 weeks after assembly, and once every 3 months - in order to assure stability through-out the lifespan of the product.

For regular maintenance and cleaning of the product, for the frame, please use a rag dipped in neutral detergent to fully wipe it, and then dry it with a clean rag. For glass materials, wipe with a rag dampened with water glass cleaner, and then dry with a dry rag.

Do not use an electric screwdriver, and do not use too much force when installing, because the board is easy to break.

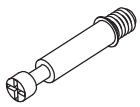


Please prepare the following tools



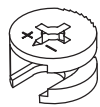
When installing, please carefully confirm whether each screw corresponds to the manual, accessories with similar shapes can be distinguished by size

Ax76(+3)



Ø6x35mm

Bx76(+3)



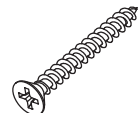
Ø15x10mm

Cx72(+3)



Ø6x30mm

Dx18(+2)



Ø4x35mm

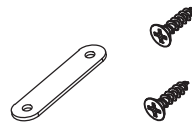
Ex4



Fx2



Gx2



Hx36(+2)

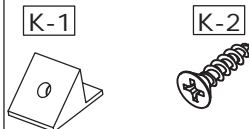


Ø20mm

Jx8(+1)

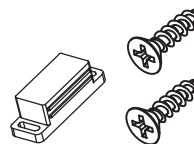


Kx44(+3)

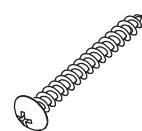


Ø3x16mm

Lx2

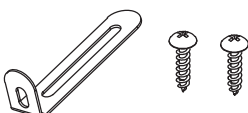


Mx4



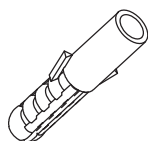
Ø4x35mm

Ux2



Ø4x12mm

Vx2



Ø6x30mm

Wx12



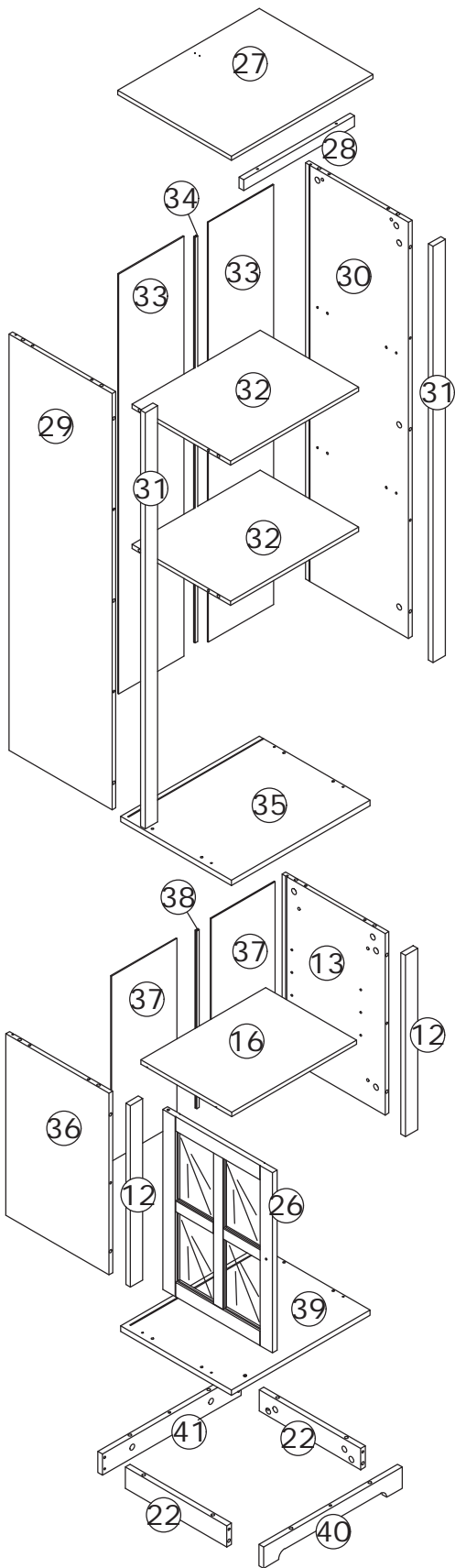
Ø8x18mm

Xx12

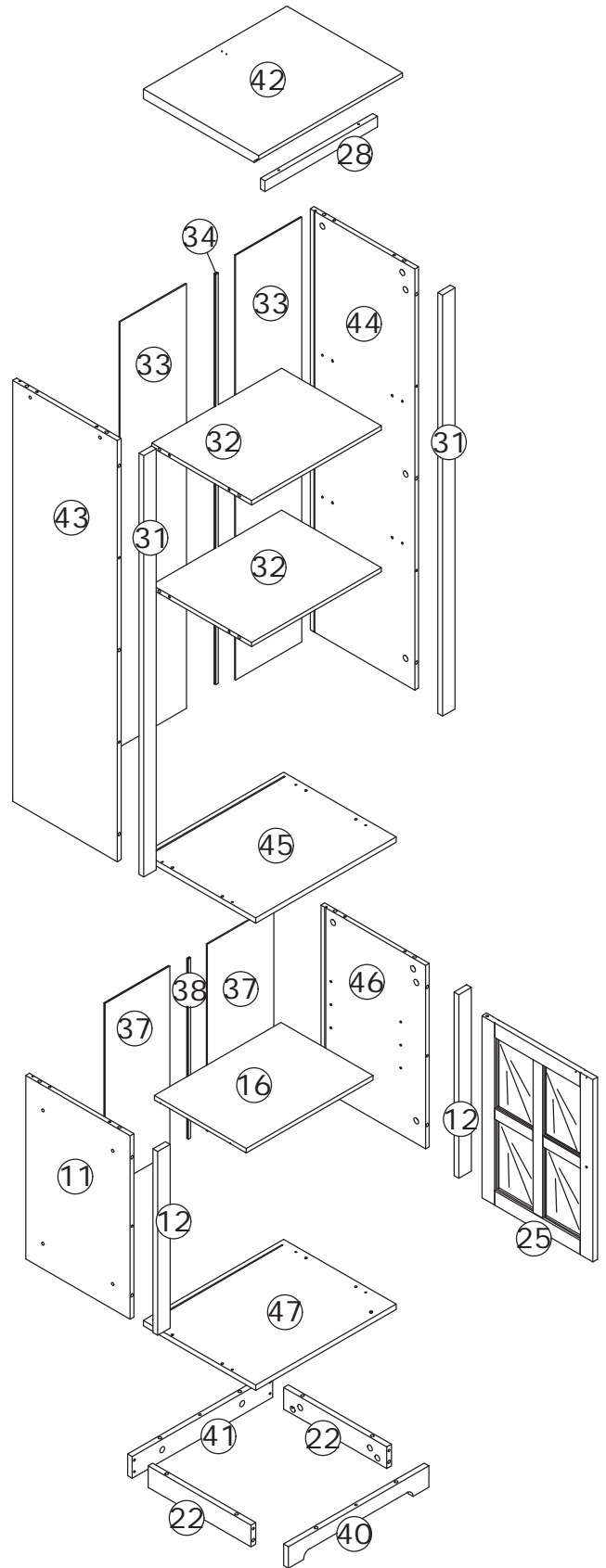


Ø6x18mm

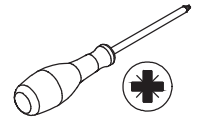
# Left high cabinet



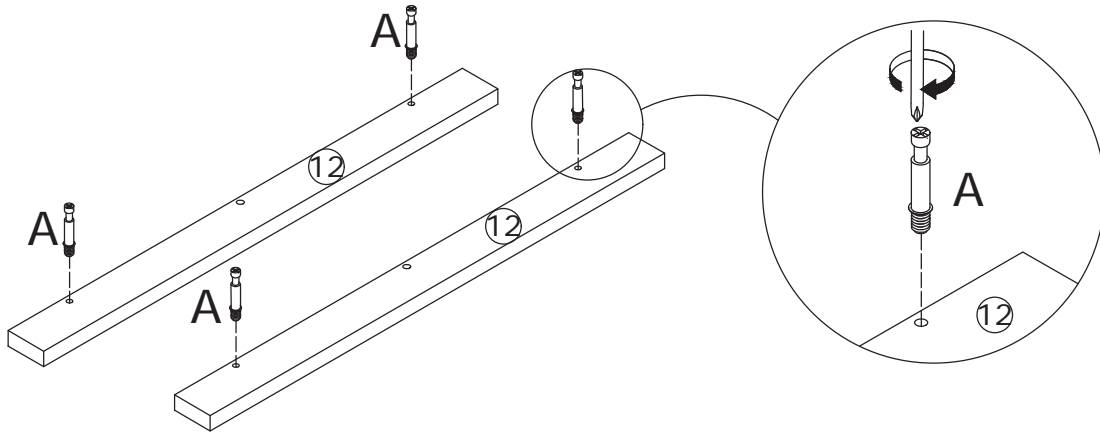
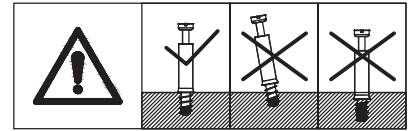
# Right high cabinet



1

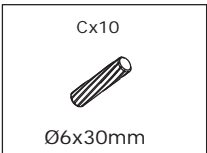


### Left high cabinet

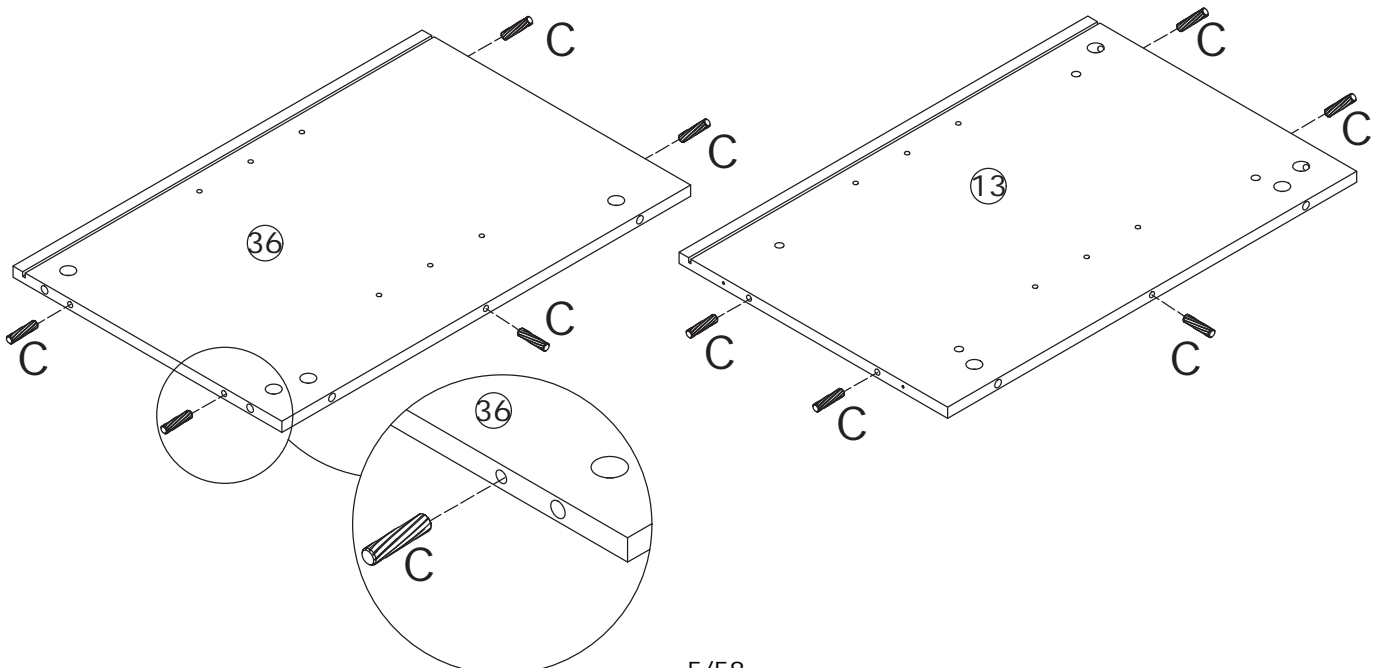
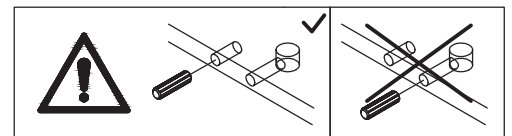


Insert quickfit screw(A) into corresponding holes in two plate 12 with screwdriver as shown.

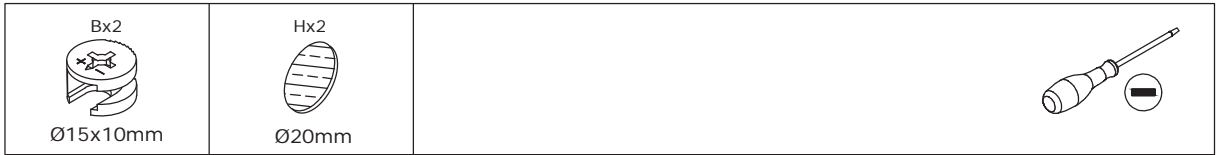
2



Insert wooden dowel(C) into plate 36 and 13 as shown.

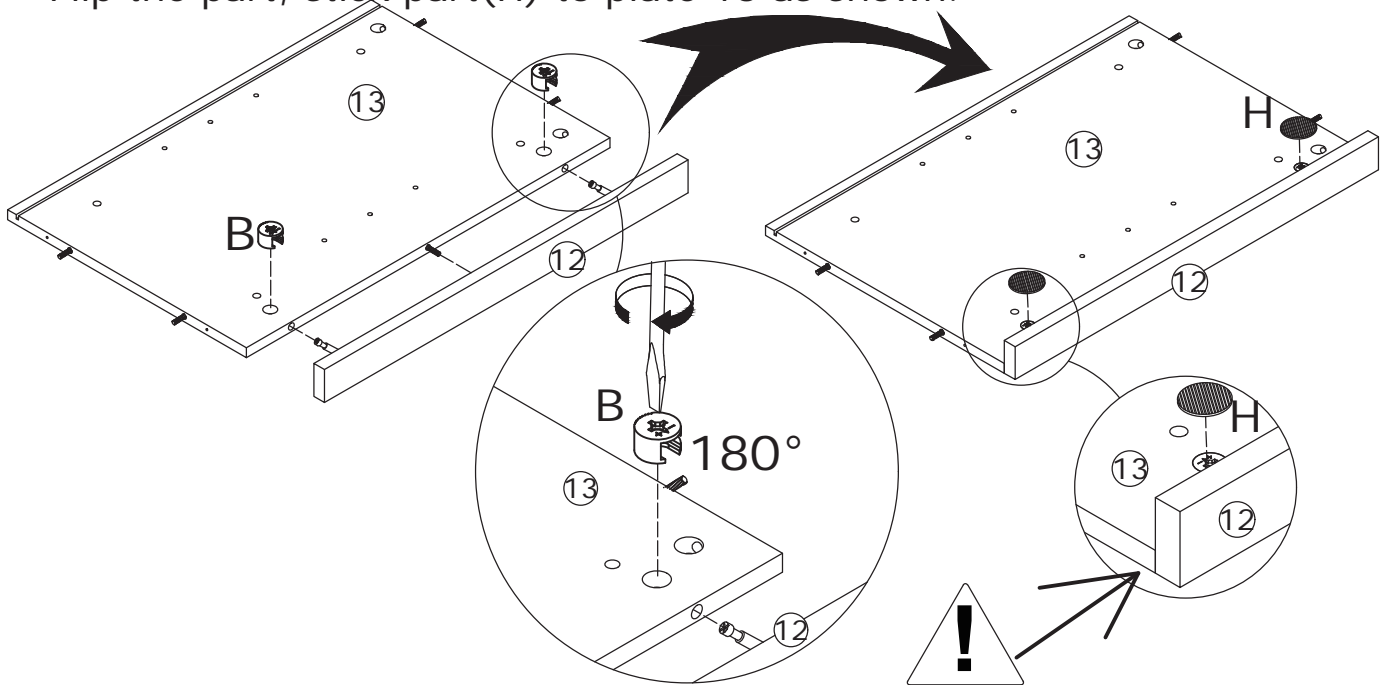
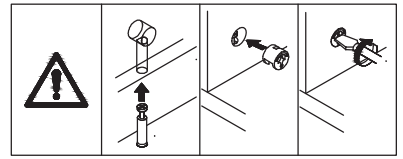


# 3



Attach plate 12 to plate 13, put cam lock(B) into holes in plate 13 and turn clockwise to tighten as shown.

Flip the part, stick part(H) to plate 13 as shown.

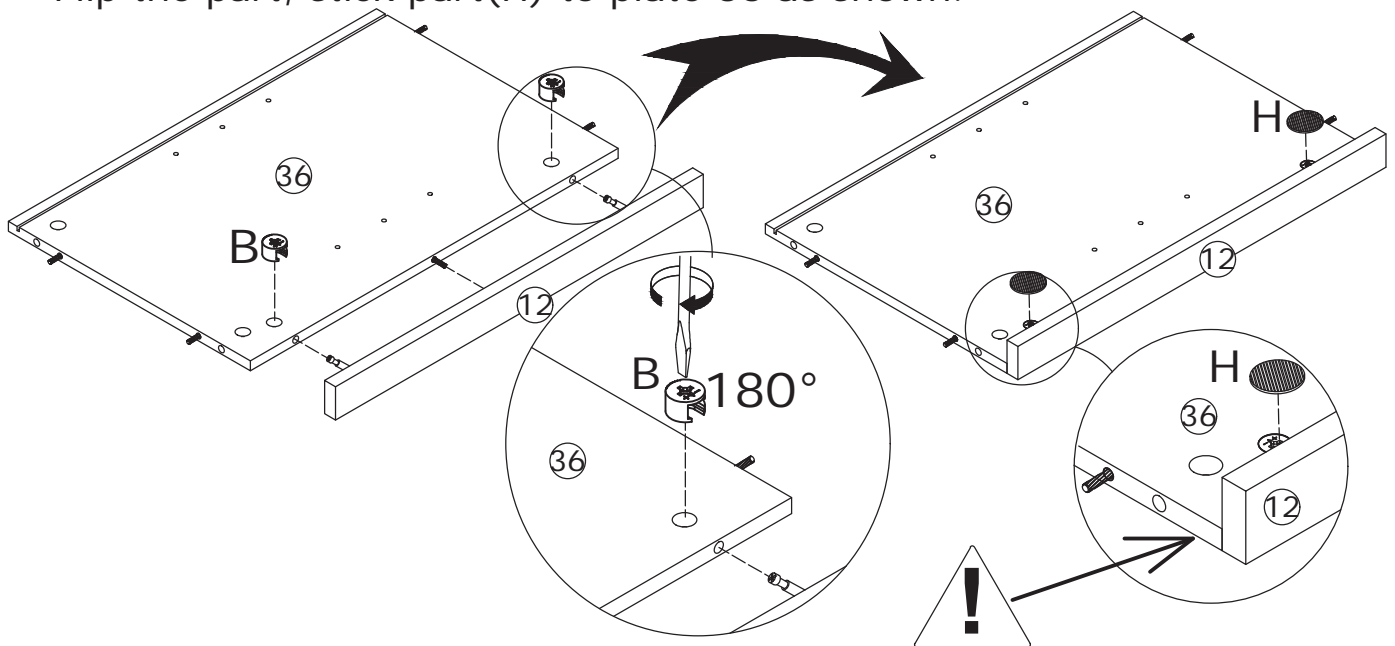
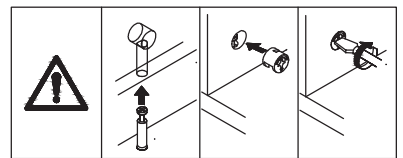


# 4

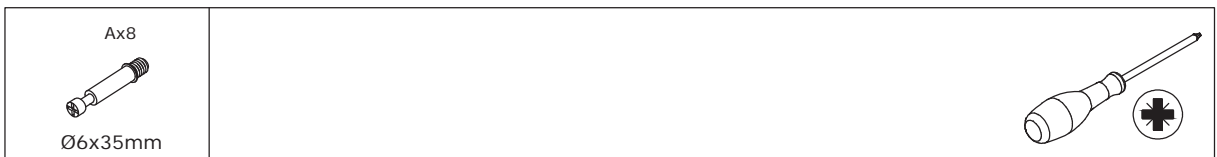


Attach another plate 12 to plate 36, put cam lock(B) into holes in plate 36 and turn clockwise to tighten as shown.

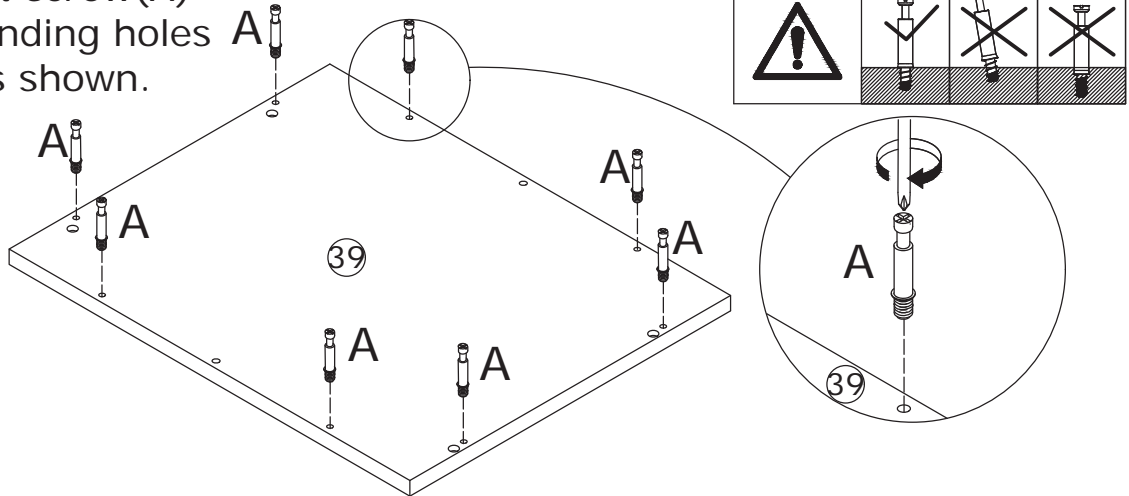
Flip the part, stick part(H) to plate 36 as shown.



5



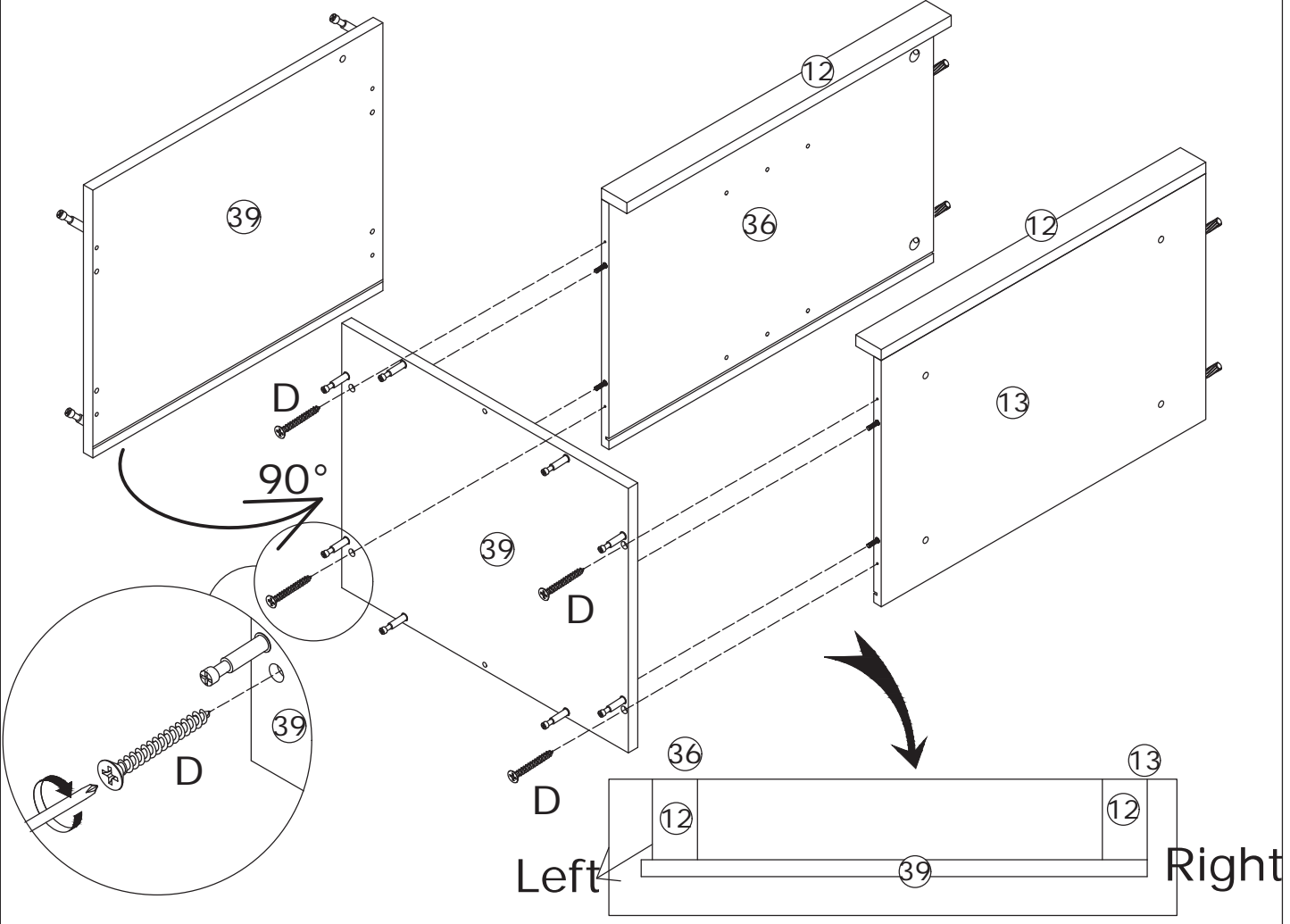
Insert quickfit screw(A)  
into corresponding holes  
in plate 39 as shown.



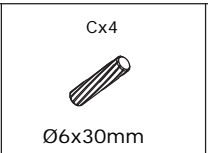
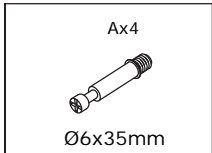
6



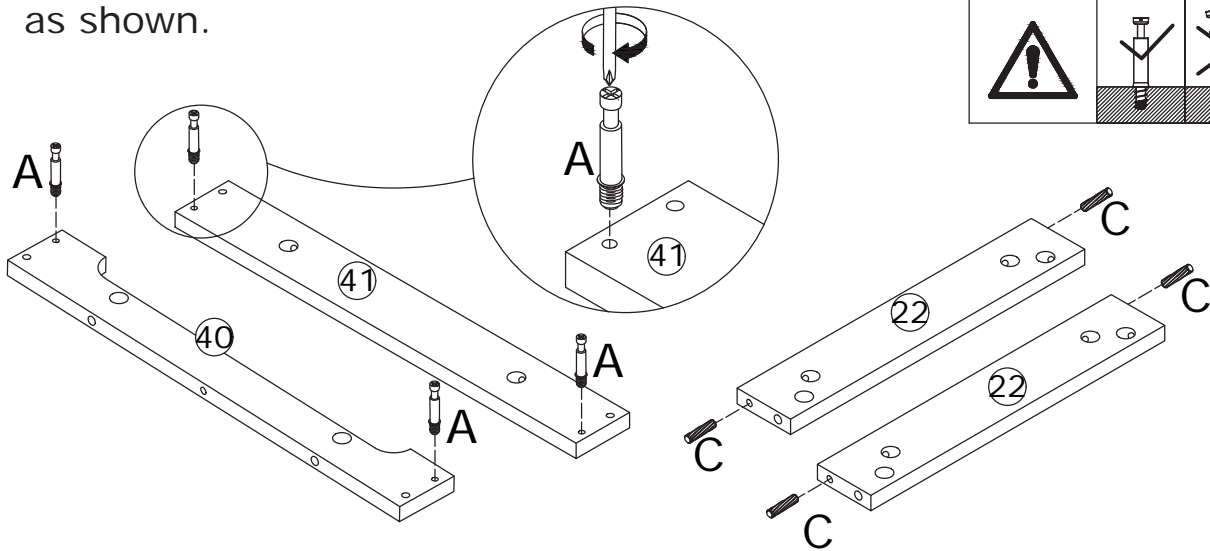
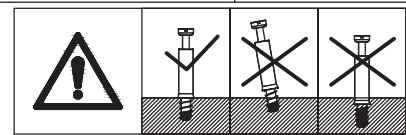
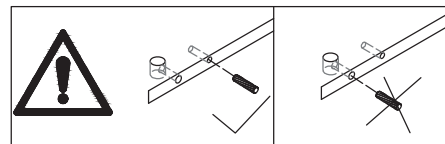
Attach the two components to plate 39, then fix using  
screw(D) as shown.



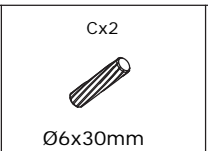
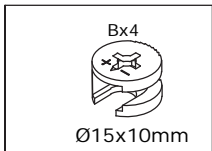
# 7



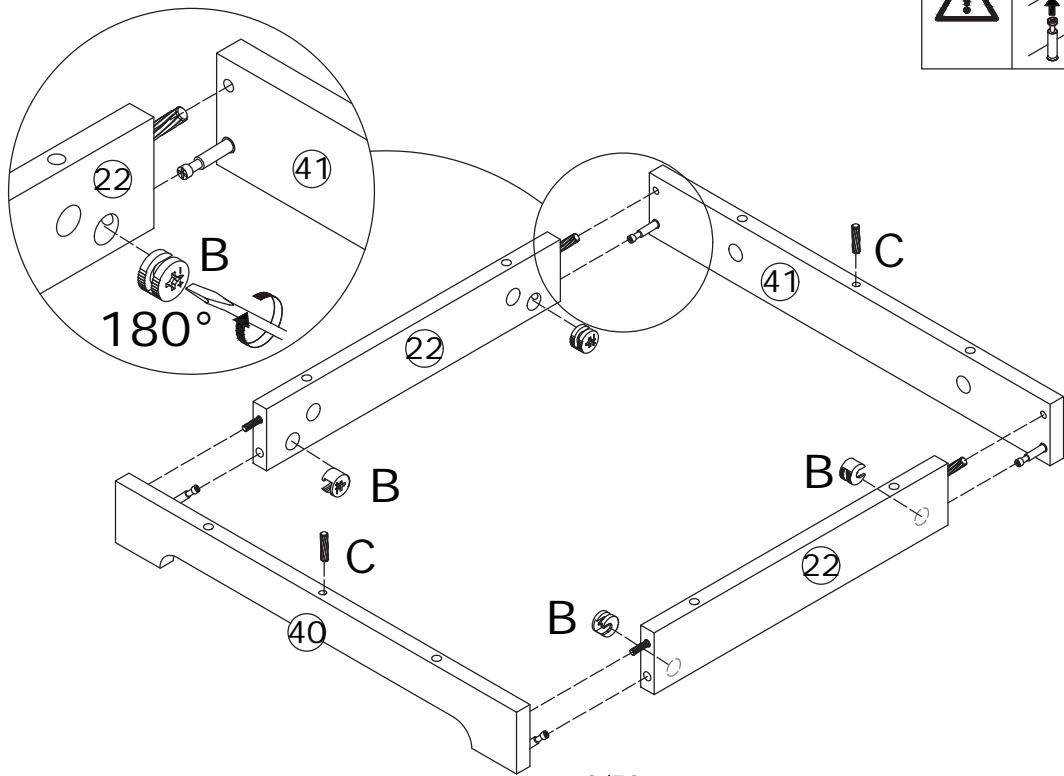
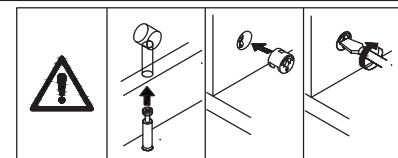
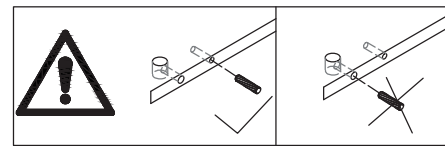
Insert quickfit screw(A) into corresponding holes in plate 40 and 41 as shown. Insert wooden dowel(C) into two plate 22 as shown.



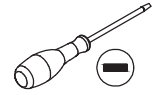
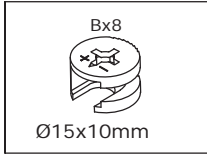
# 8



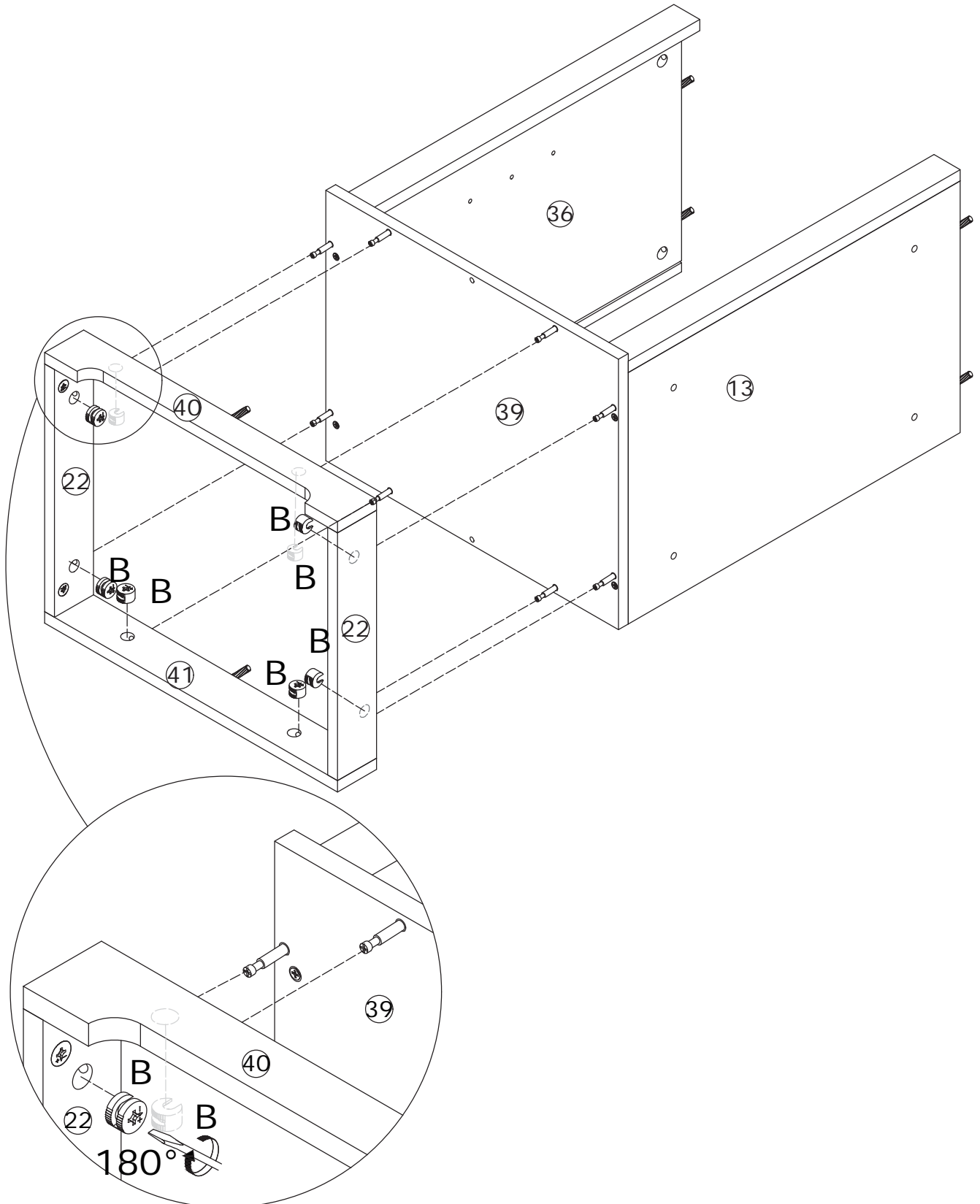
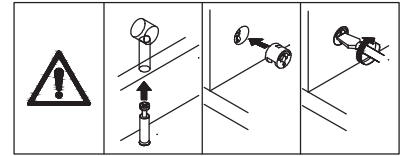
Connect plate 40 and 41 with plate 22, put cam lock(B) into holes in plate 22 and turn clockwise to tighten as shown. Insert wooden dowel(C) into plate 40 and 41 as shown.



9

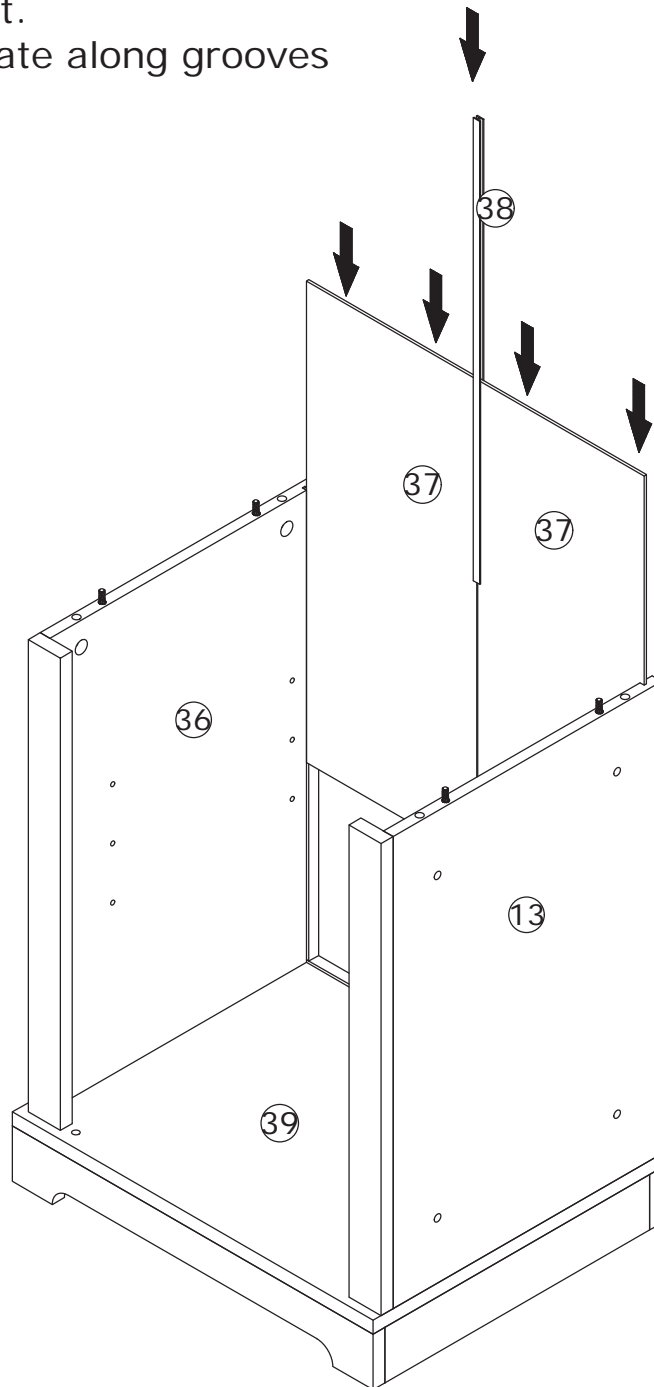


Attach the component to plate 39, put cam lock (B) into holes in plate 40, 41, 22 and turn clockwise to tighten as shown.

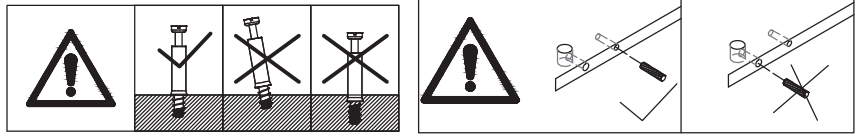


10

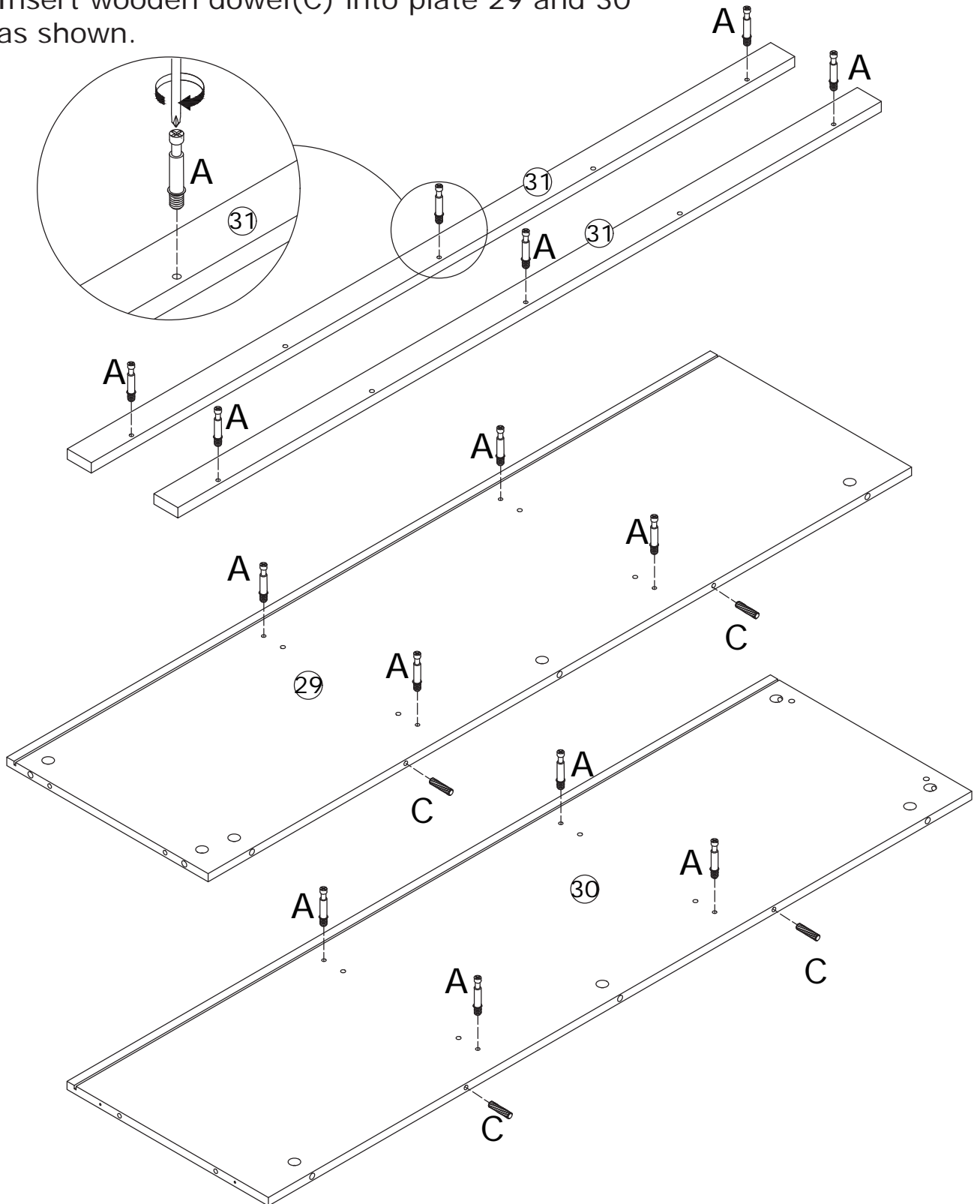
Connect plate 37 with plastic bar 38 at first.  
Slide back plate along grooves  
as shown.



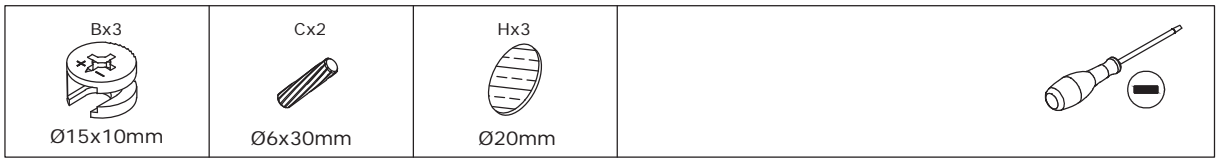
11



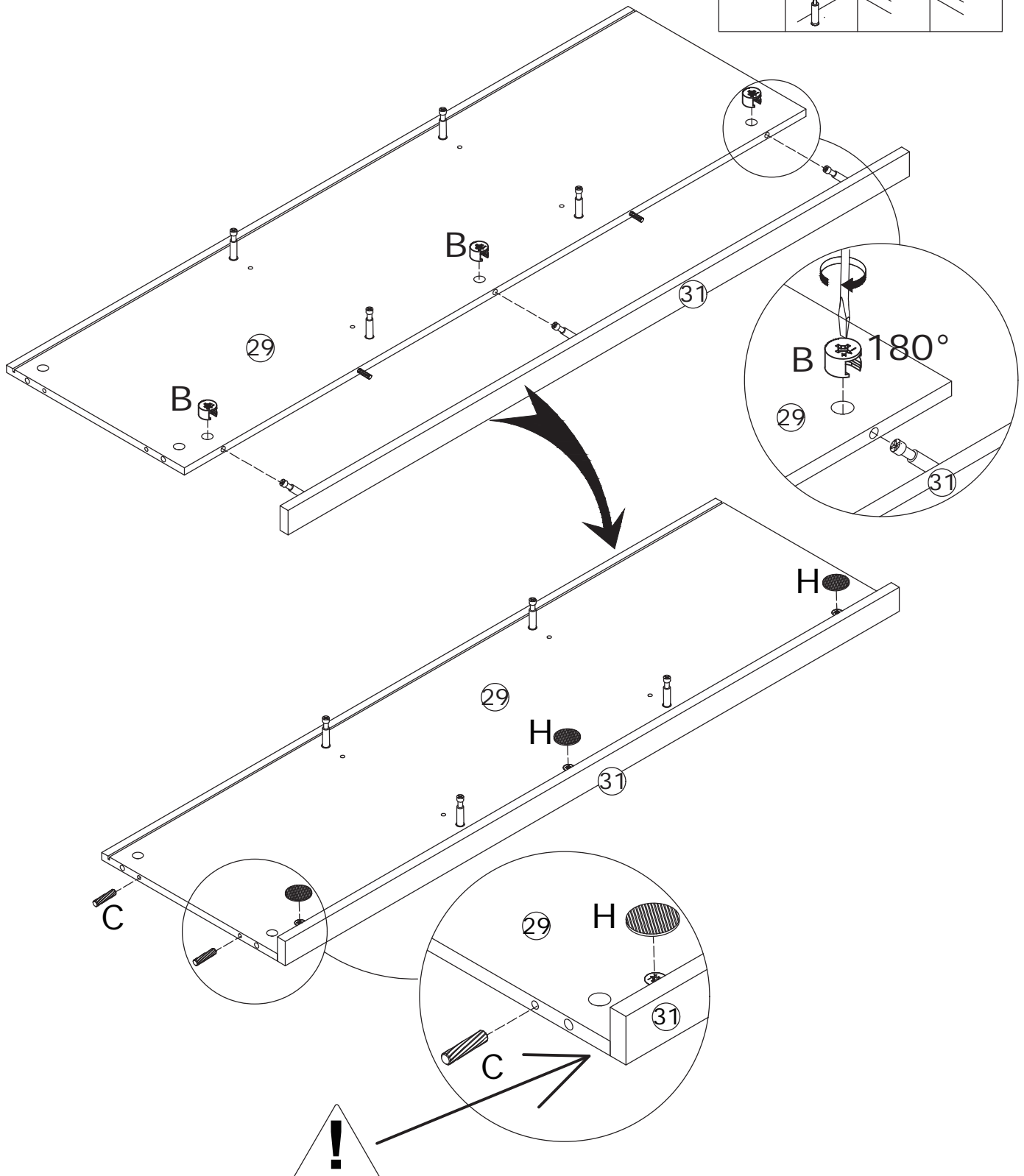
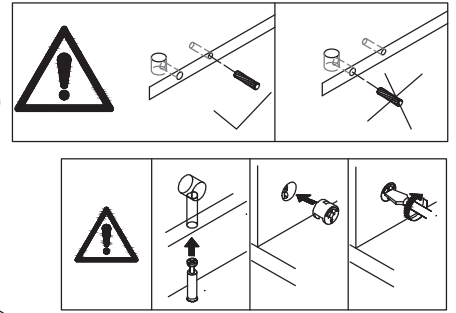
Insert quickfit screw(A) into corresponding holes in plate 29,30 and two plate 31 as shown.  
Insert wooden dowel(C) into plate 29 and 30 as shown.



12



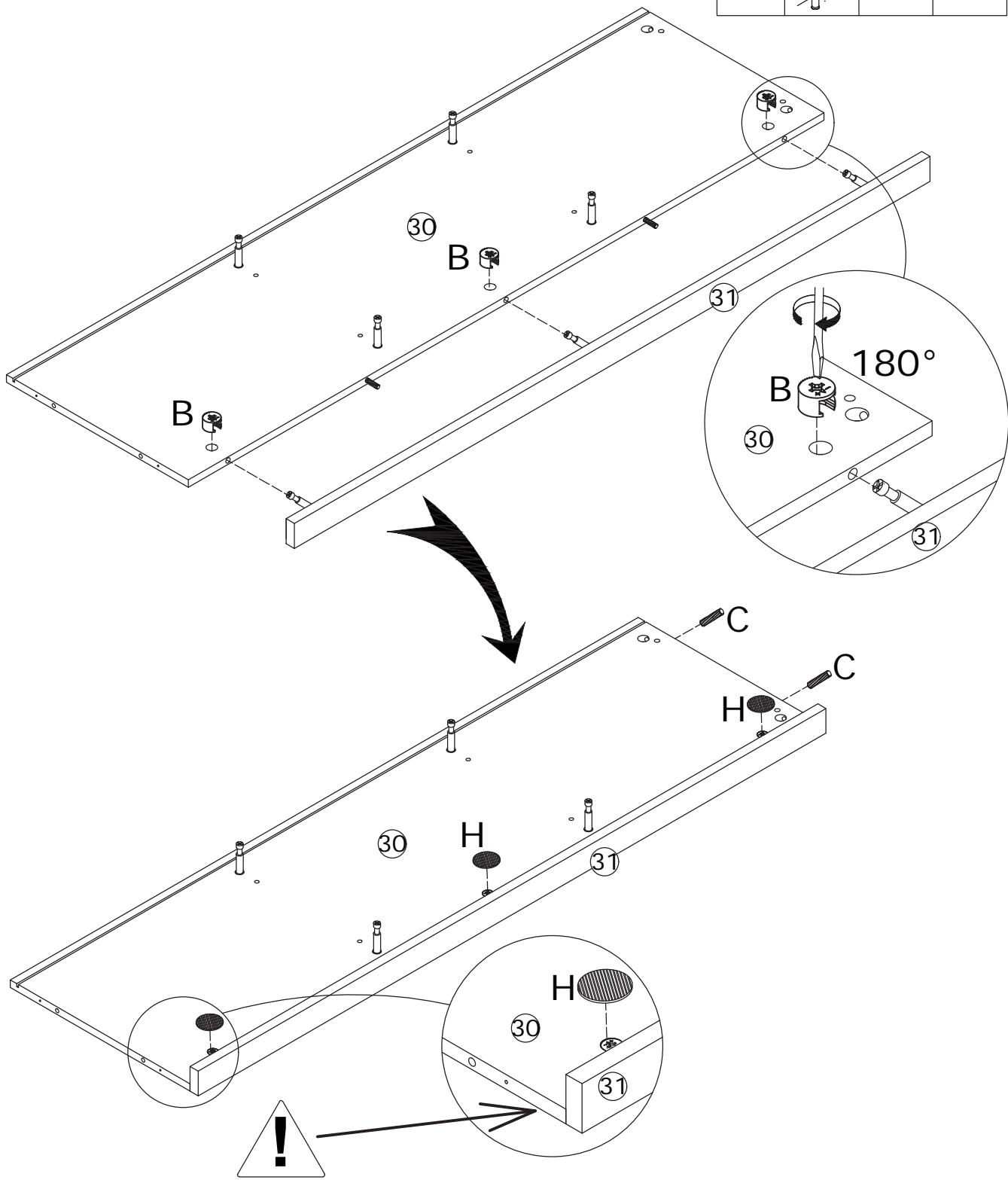
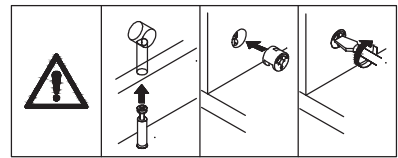
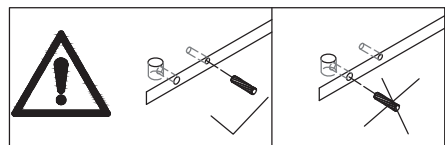
Attach plate 31 to plate 29, put cam lock(B) into holes in plate 29 and turn clockwise to tighten as shown.  
Flip the part, stick part(H) to plate 29 as shown.



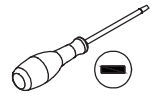
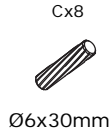
13



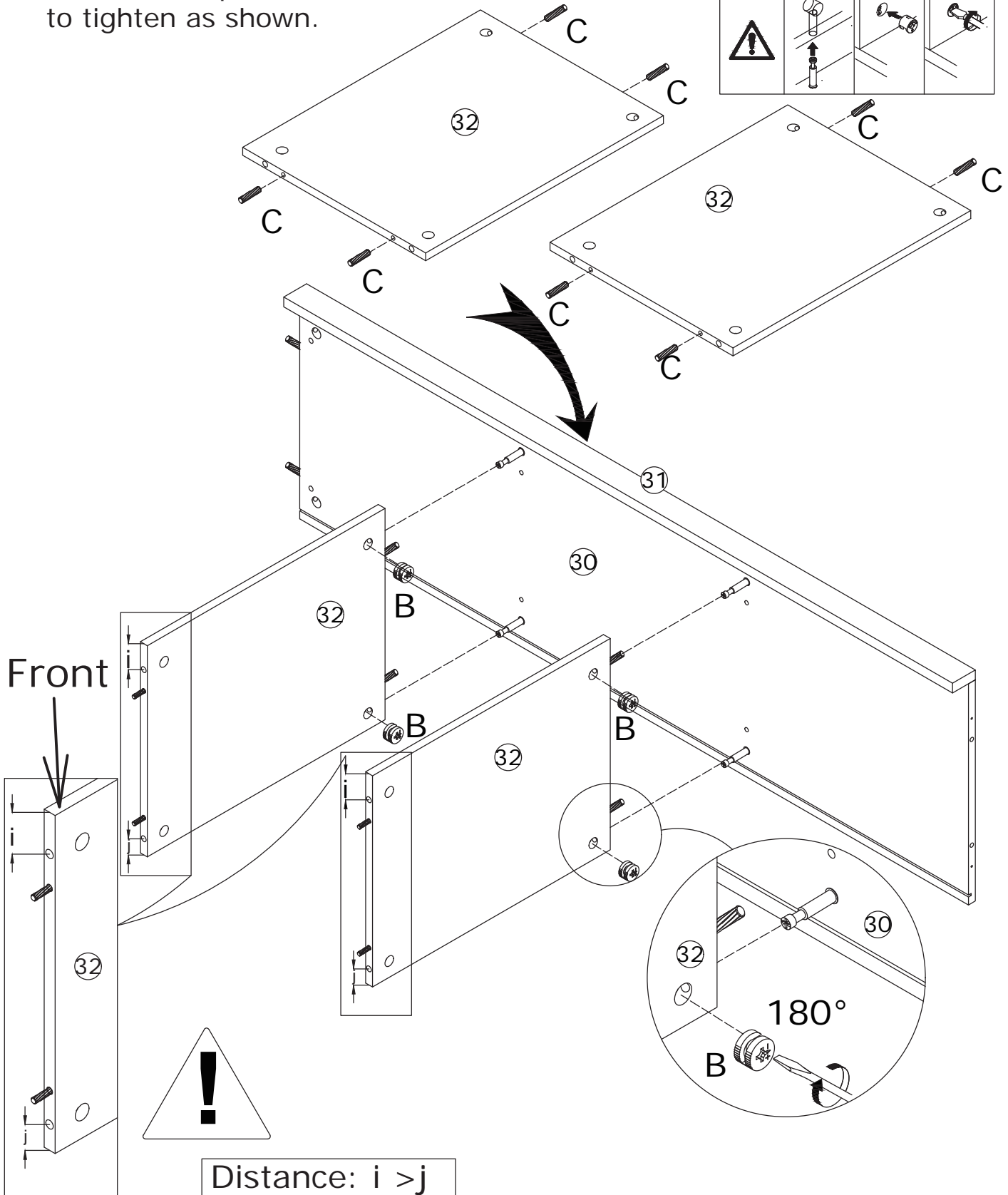
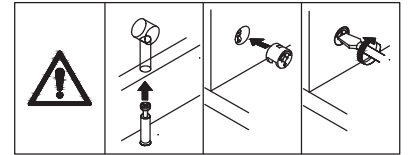
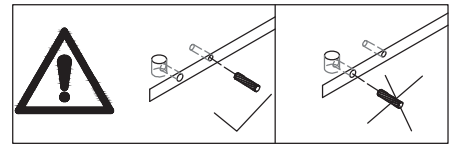
Attach another plate 31 to plate 30, put cam lock(B) into holes in plate 30 and turn clockwise to tighten as shown.  
Flip the part, stick part(H) to plate 30 as shown.



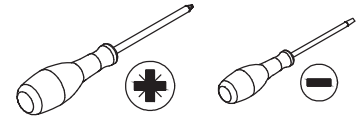
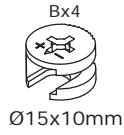
# 14



Insert wooden dowel(C) into two plate 32 as shown.  
Attach plate 32 to plate 30, put cam lock(B) into holes in plate 32 and turn clockwise to tighten as shown.



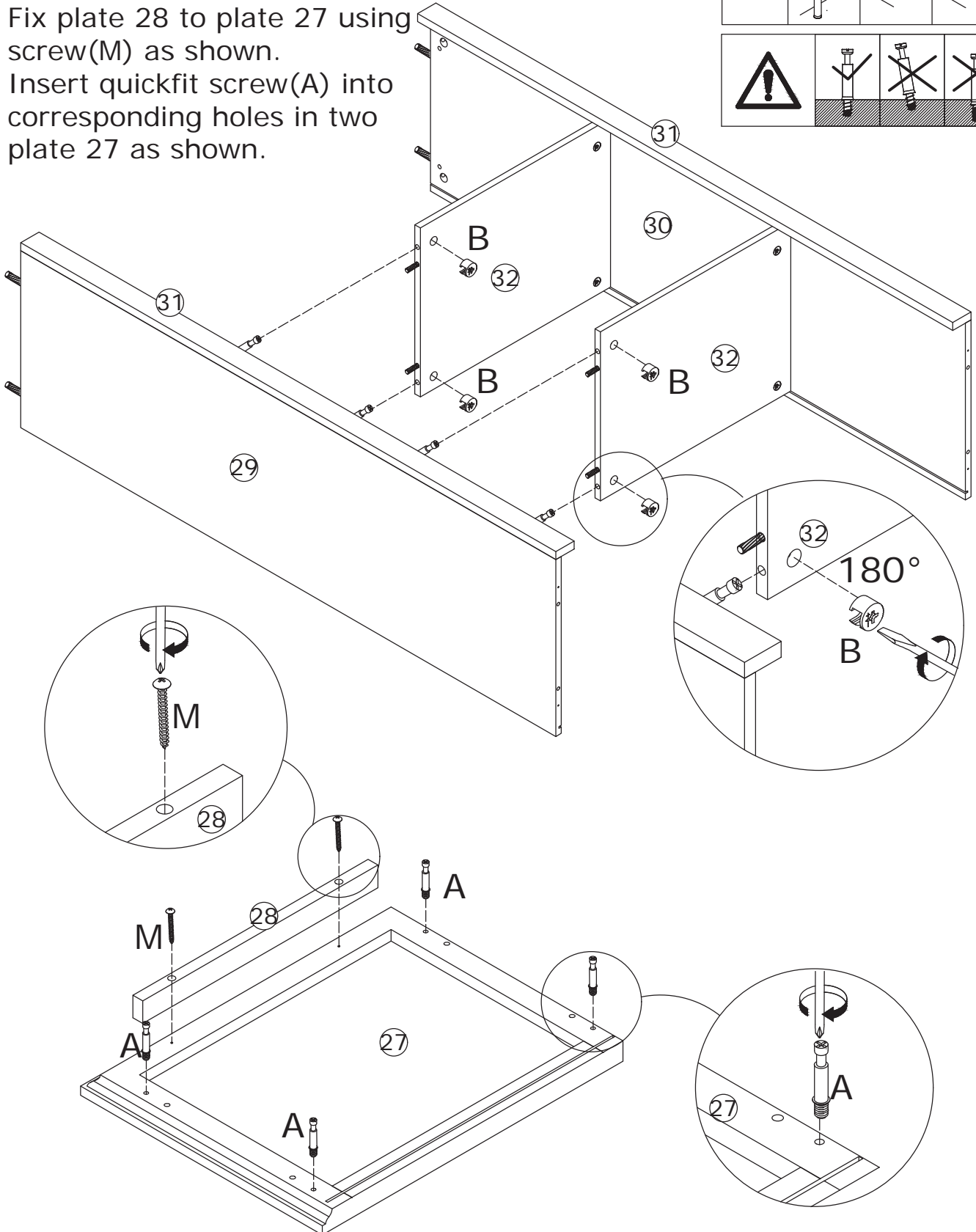
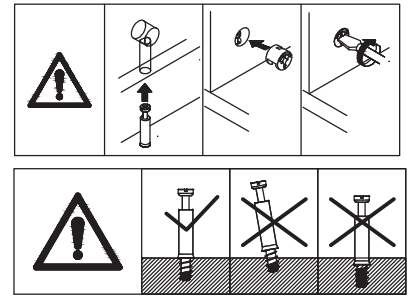
# 15



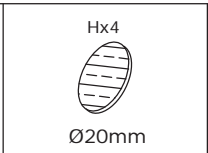
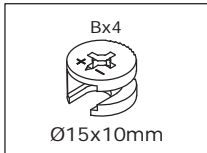
Attach plate 29 to plate 32, put cam lock (B) into holes in plate 32 and turn clockwise to tighten as shown.

Fix plate 28 to plate 27 using screw (M) as shown.

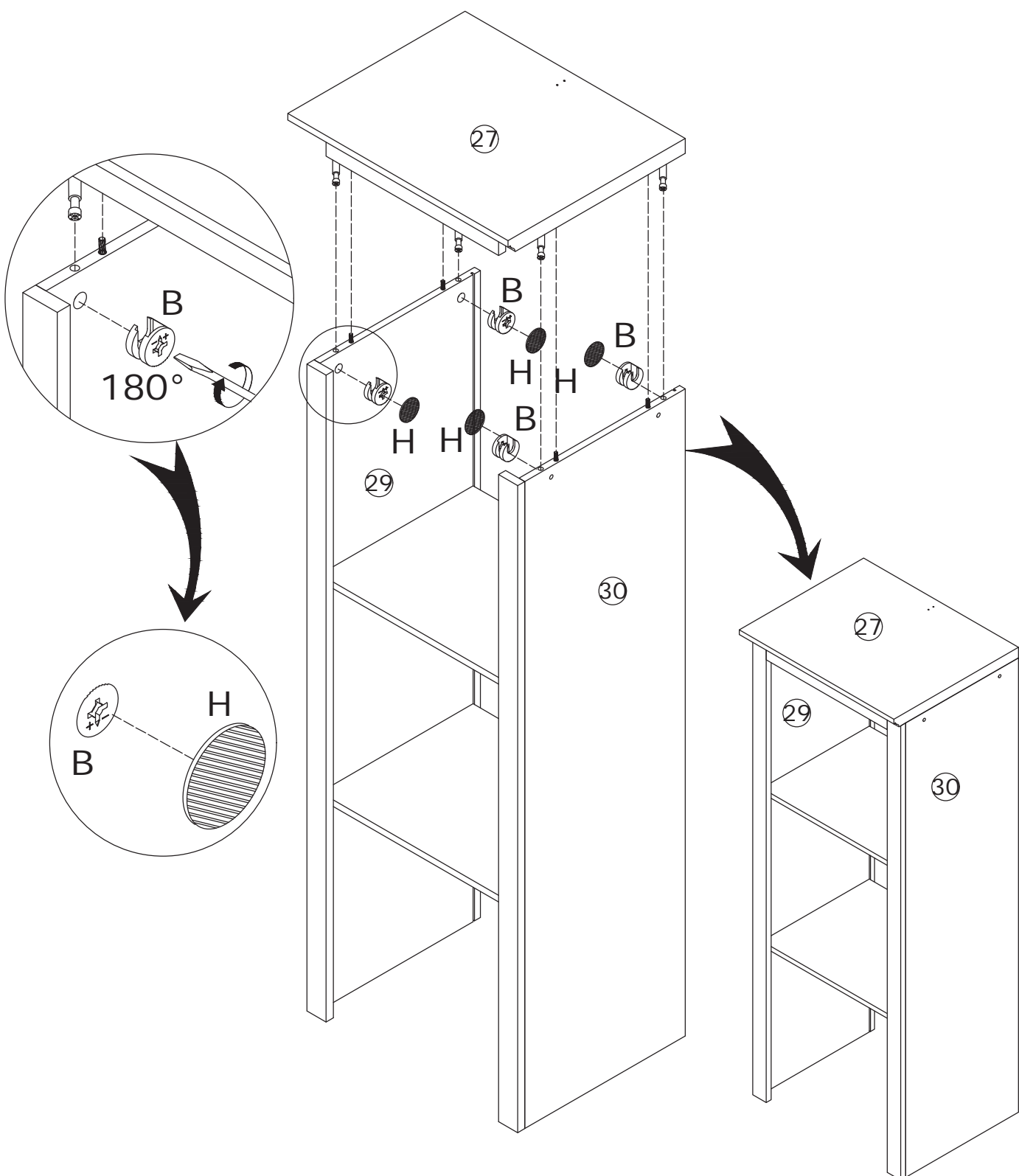
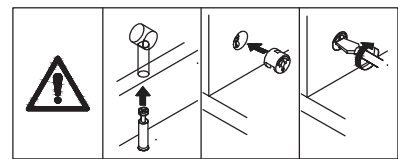
Insert quickfit screw (A) into corresponding holes in two plate 27 as shown.



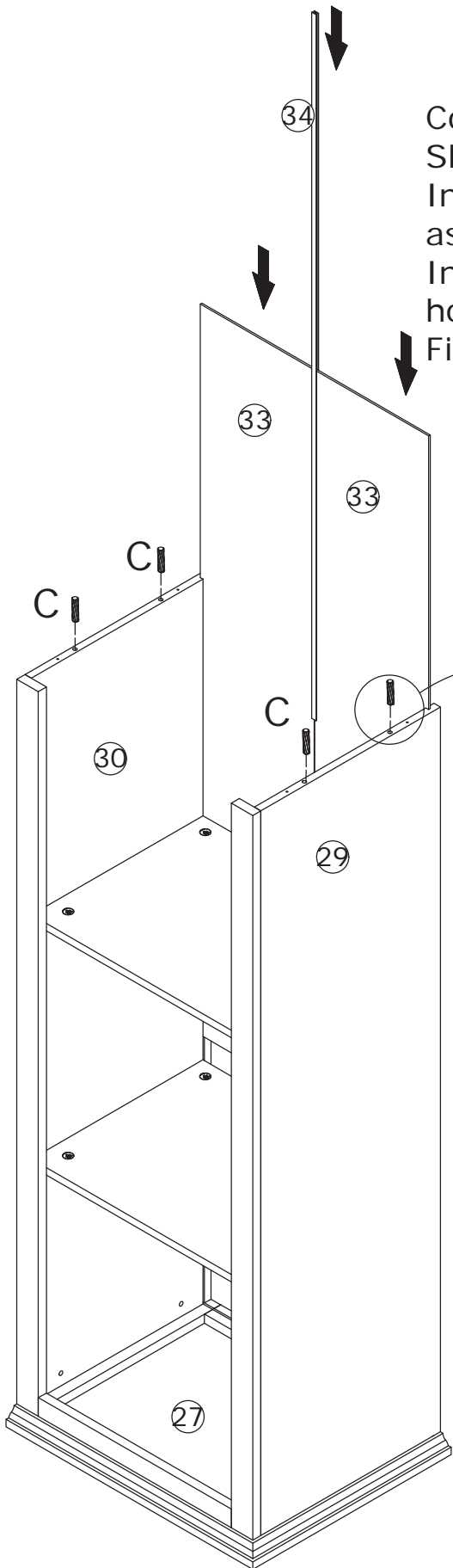
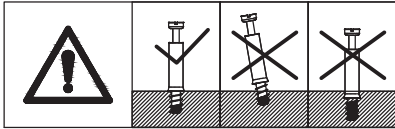
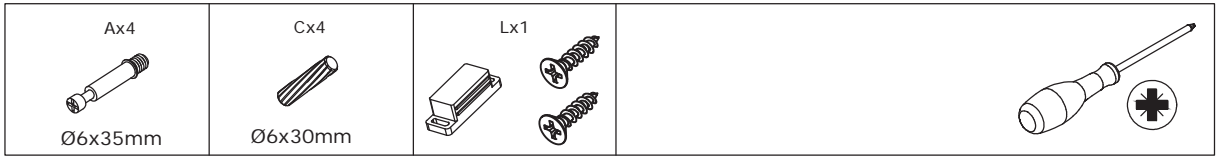
# 16



Cover plate 27 to plate 29 and 30, put cam lock(B) into holes in plate 29,30 and turn clockwise to tighten as shown.  
Stick part(H) to plate 29 and 30 as shown.



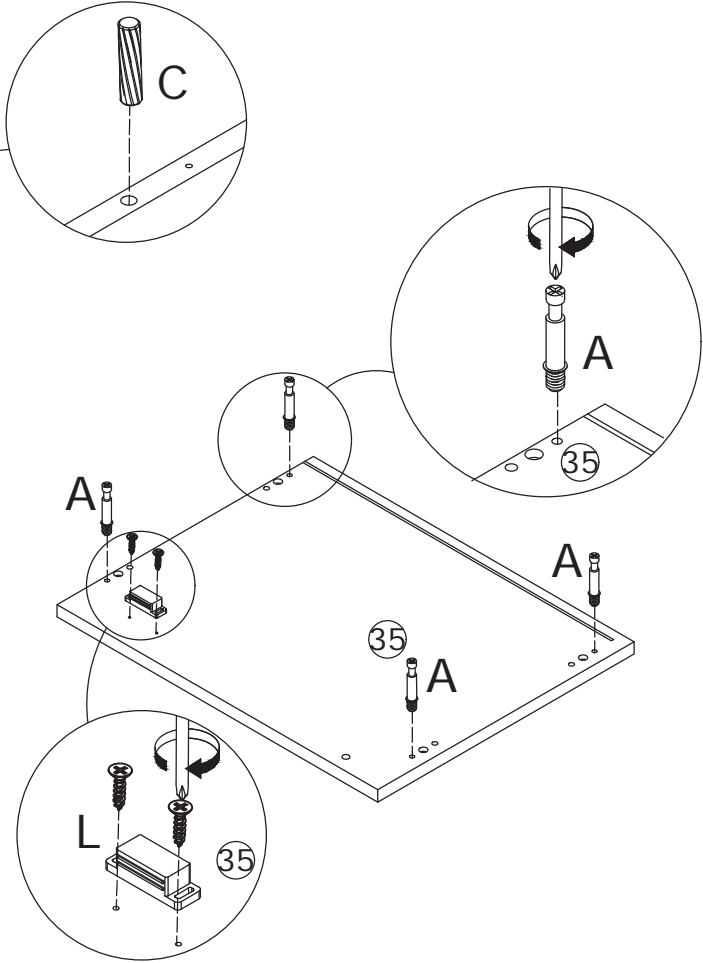
17



Connect plate 33 with plastic bar 34 at first. Slide back plate along grooves as shown. Insert wooden dowel(C) into plate 29 and 30 as shown.

Insert quickfit screw(A) into corresponding holes in plate 35 as shown.

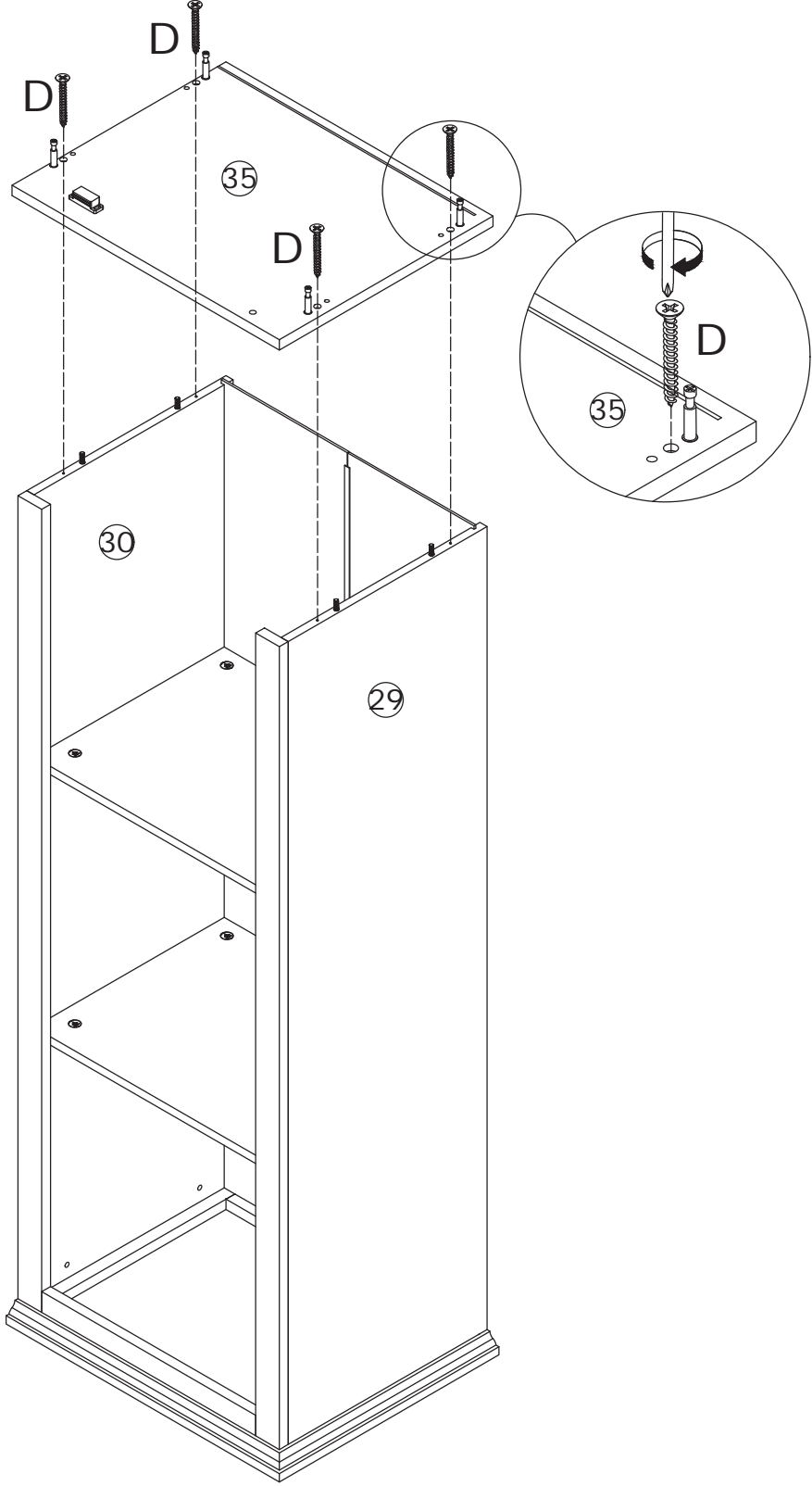
Fix part(L) to plate 35 as shown.



18



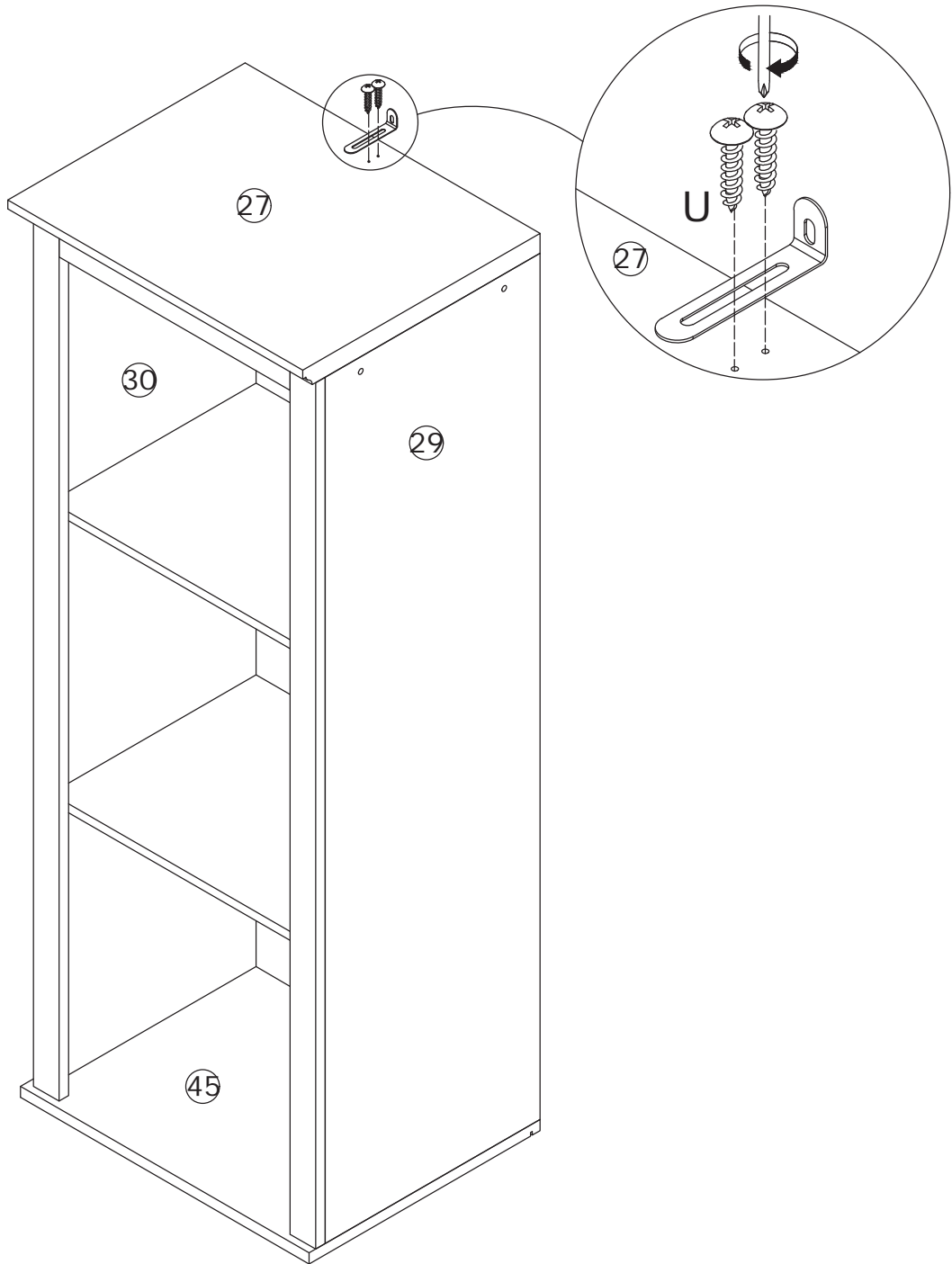
Fix plate 35 to plate 29 and 30 using screw(D) as shown.



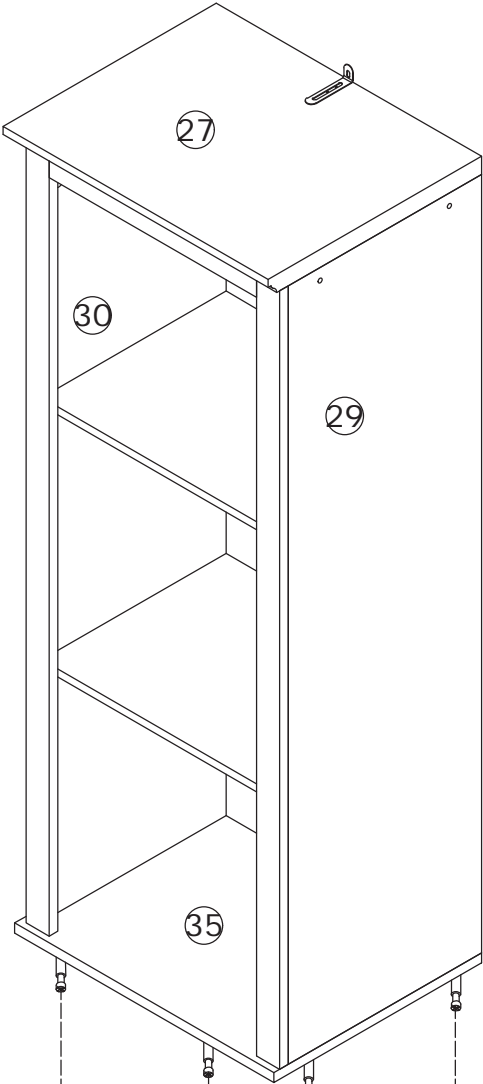
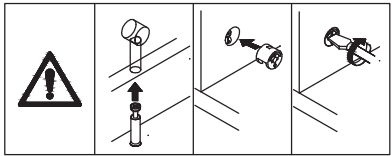
19



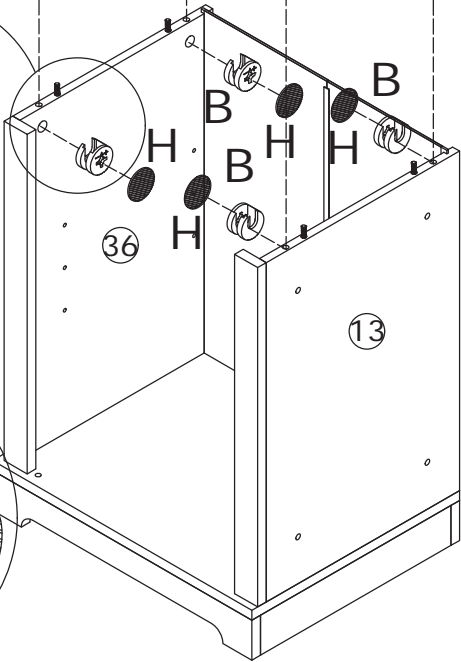
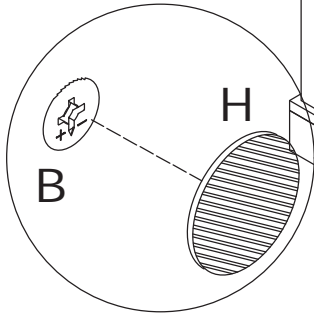
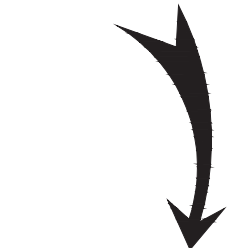
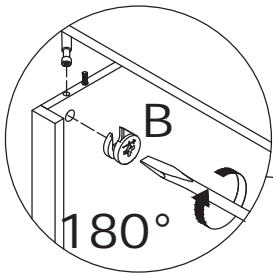
Fix part(U) to plate 27 as shown.



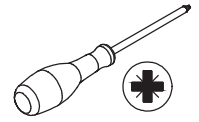
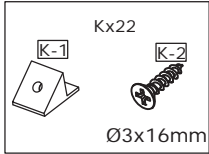
20



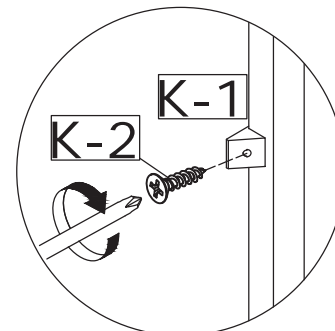
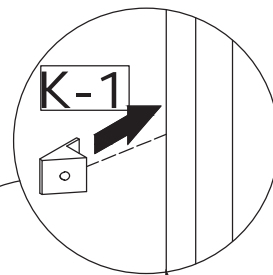
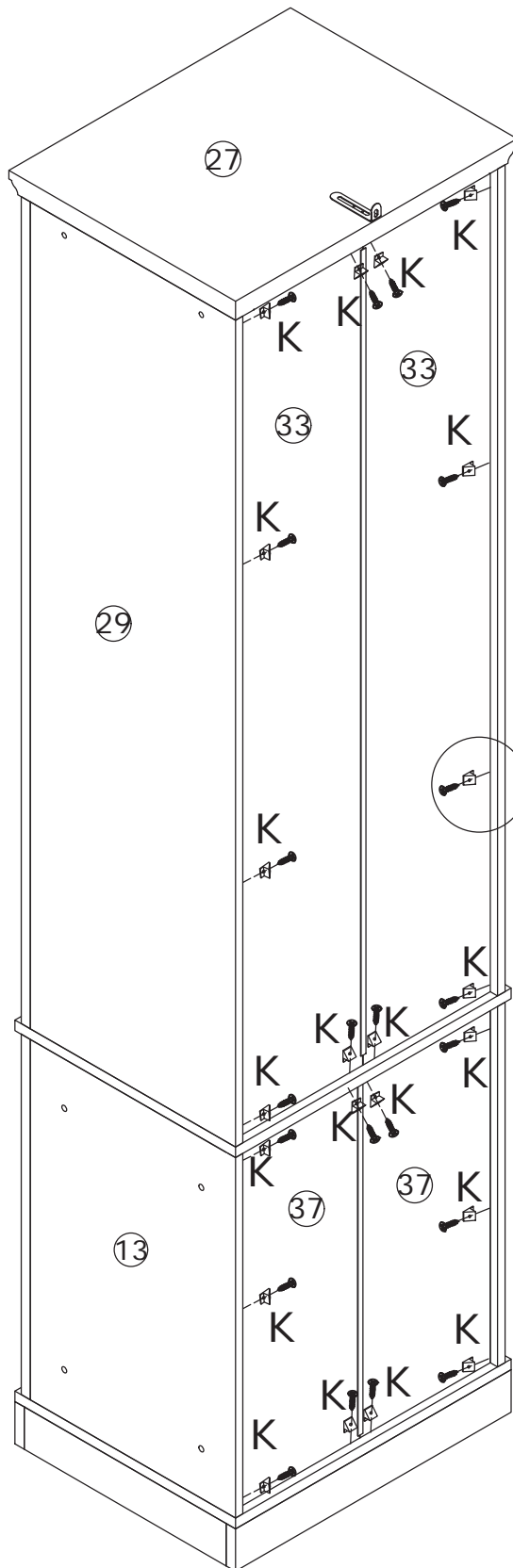
Connect the two components together, put cam lock(B) into holes in plate 36,13 and turn clockwise to tighten as shown. Stick part(H) to plate 36 and 13 as shown.



21



Reinforce back plate using hardware pack(K) as shown.

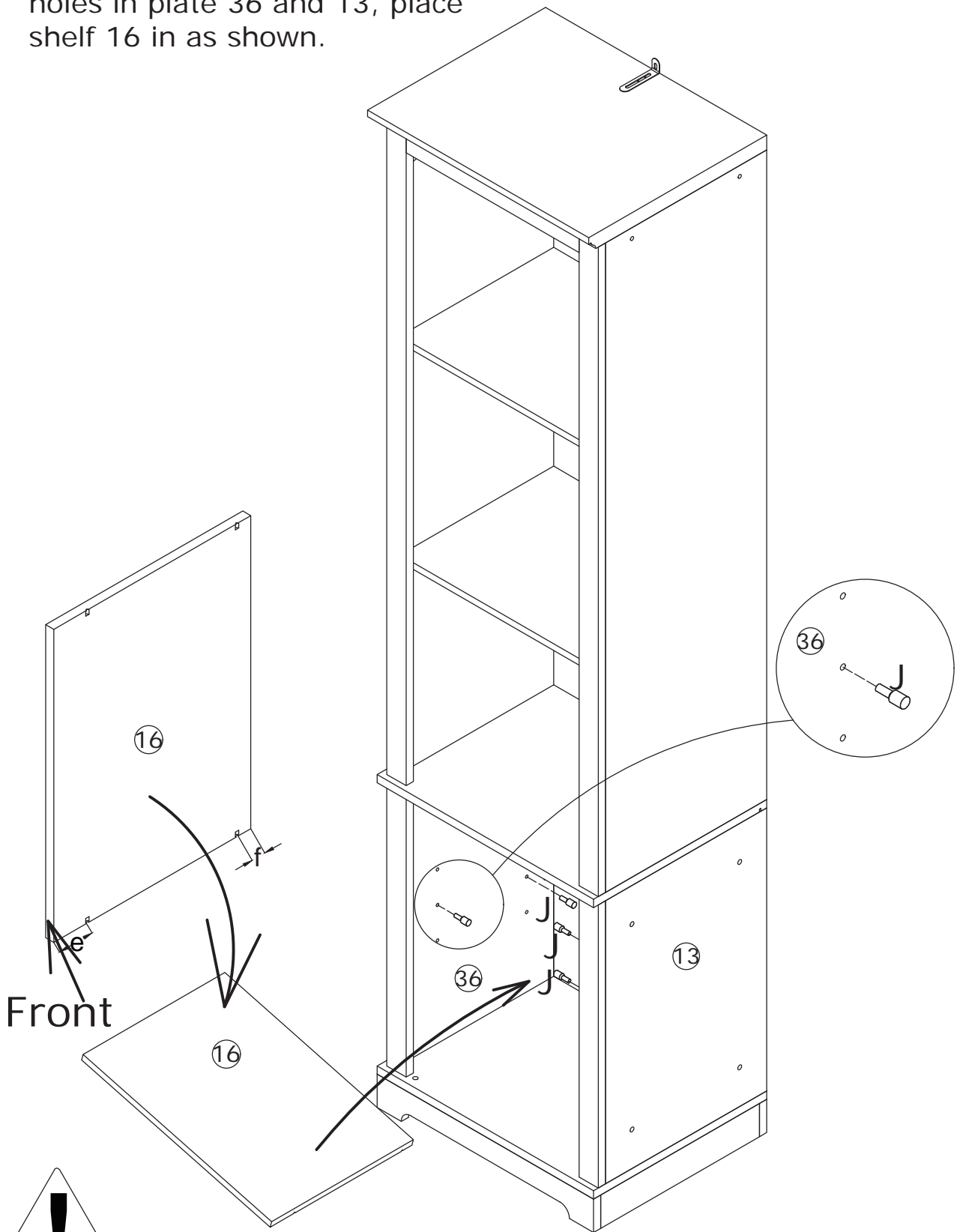


22

Jx4

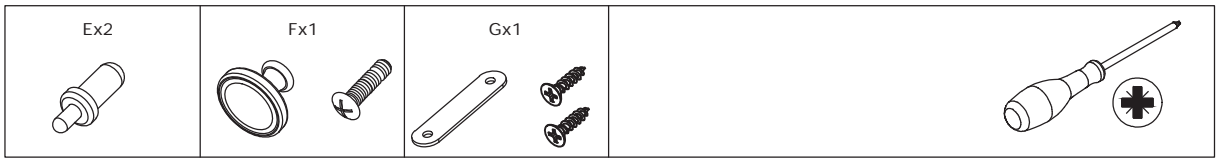


Insert part(J) into corresponding holes in plate 36 and 13, place shelf 16 in as shown.

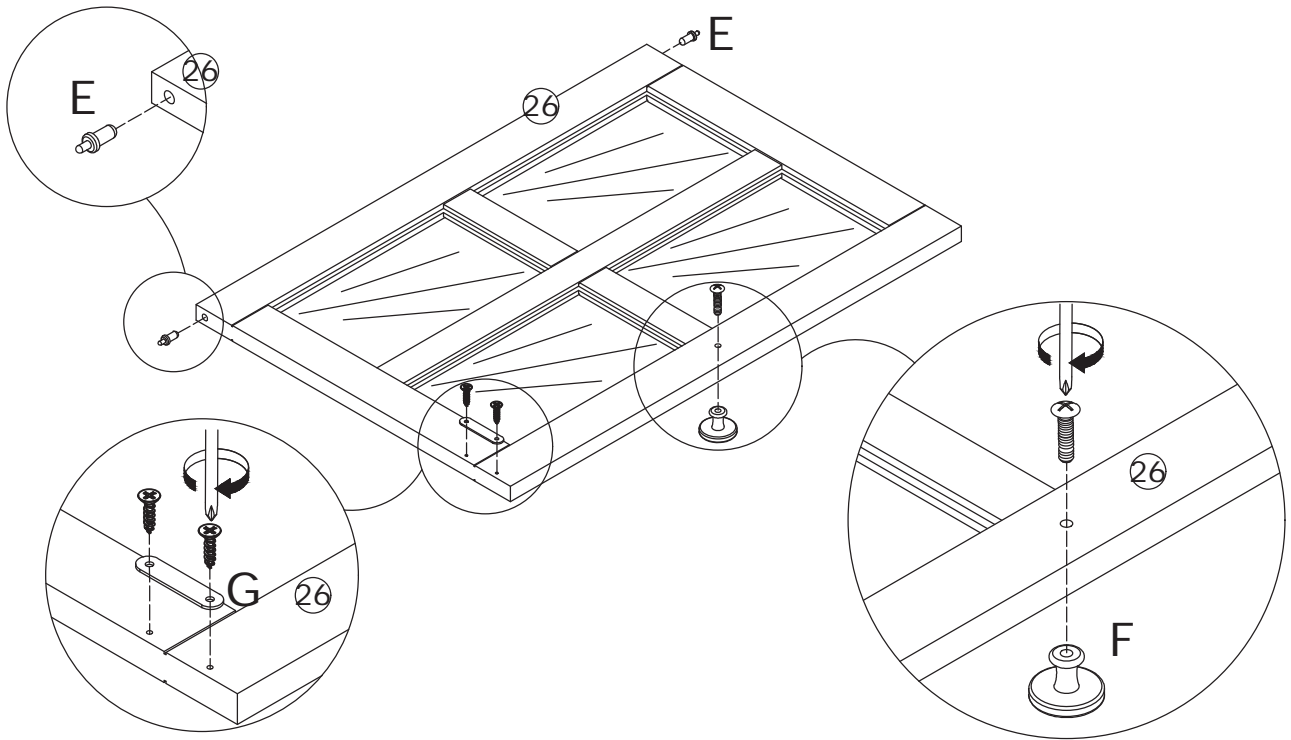


Distance:  $e > f$

23



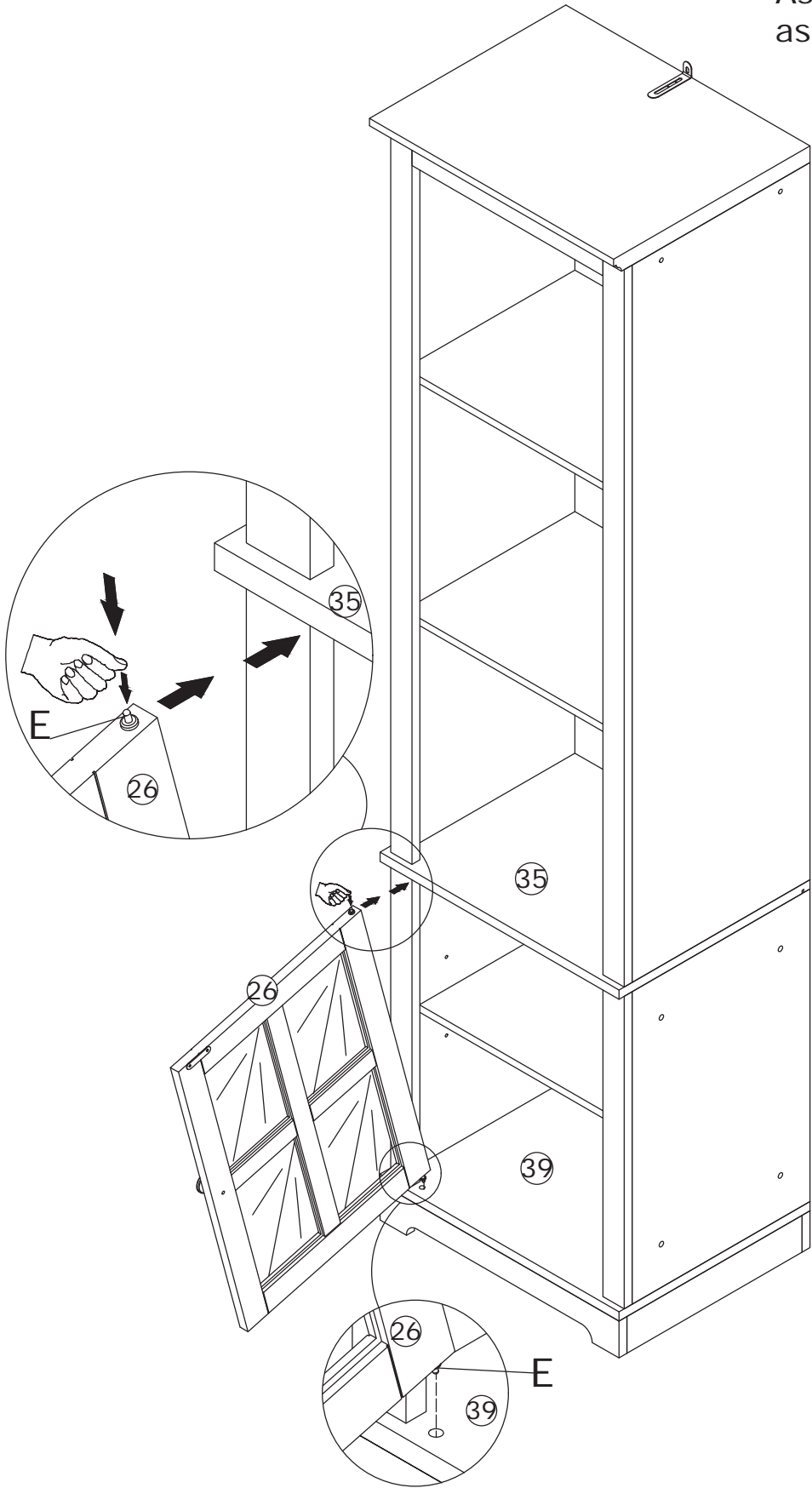
Insert part(E) into plate 26 as shown.  
Fix part(G) and knob(F) to plate 26 as shown.



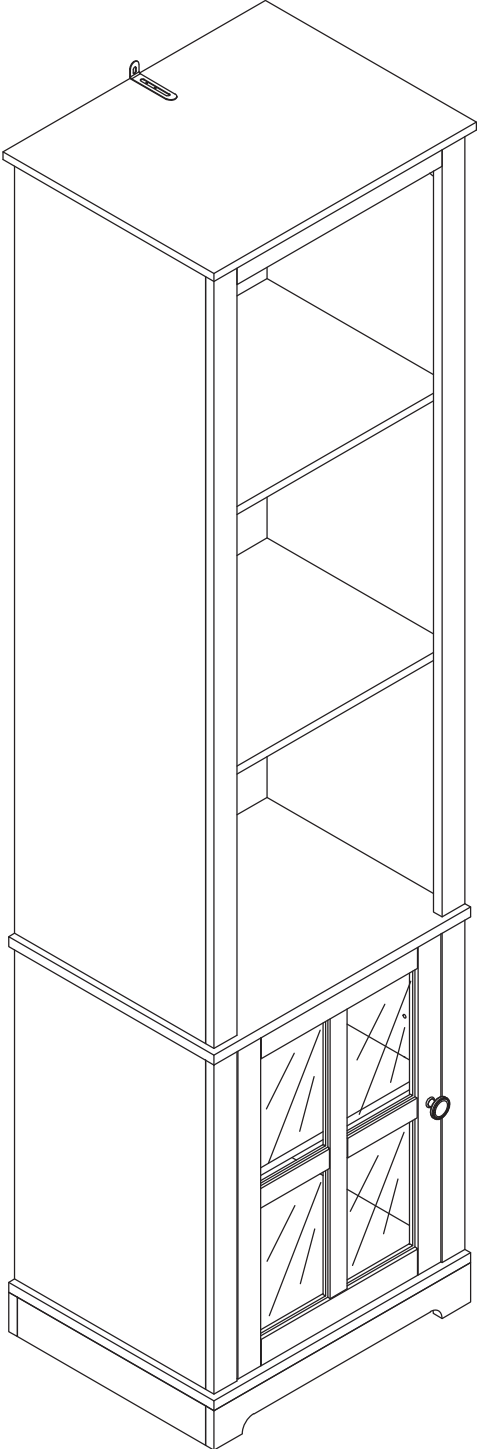
24



Assembled the door plate as shown.



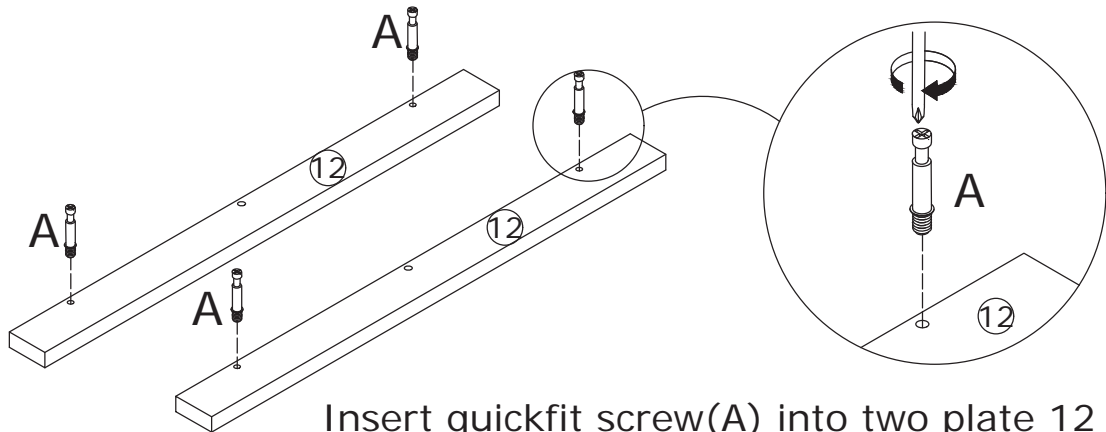
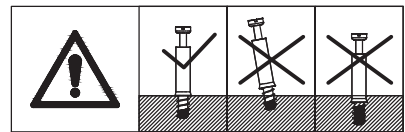
25



26



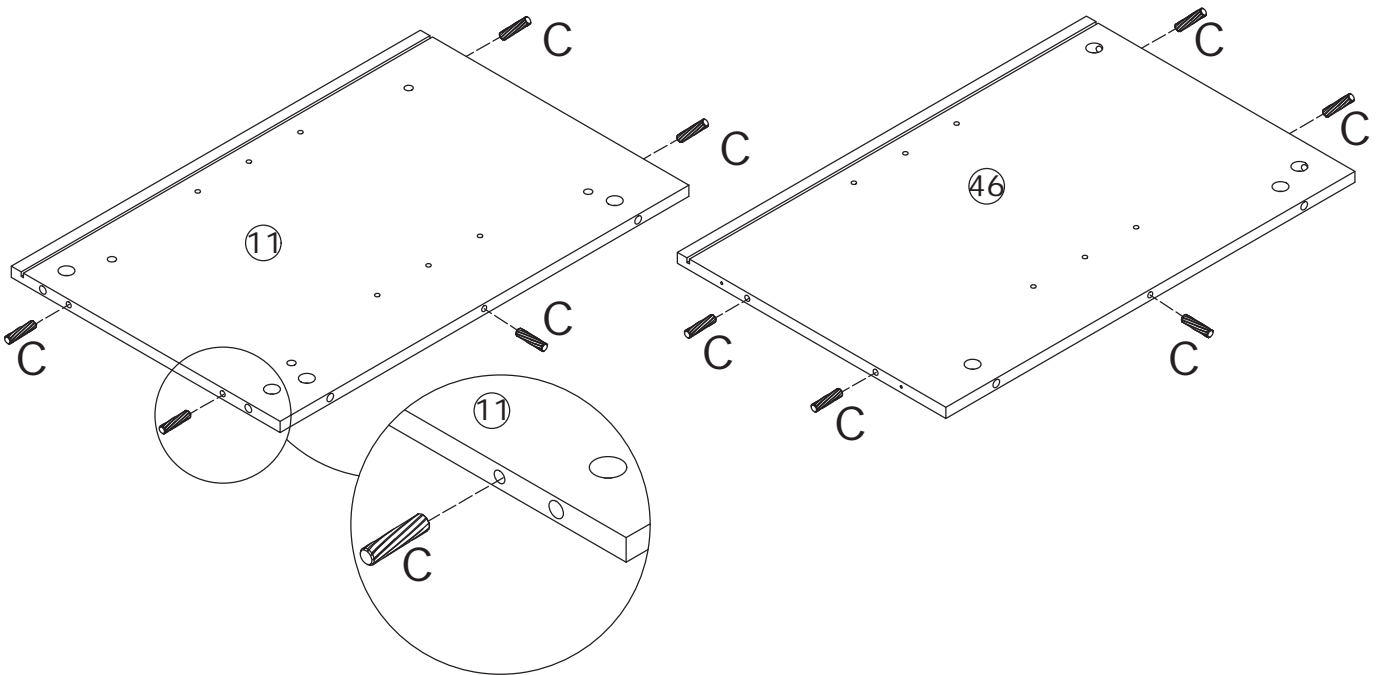
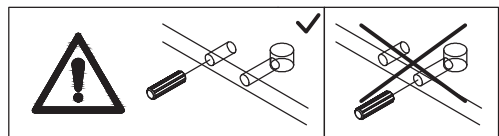
### Right high cabinet



27



Insert wooden dowel(C) into plate 11 and 46 as shown.

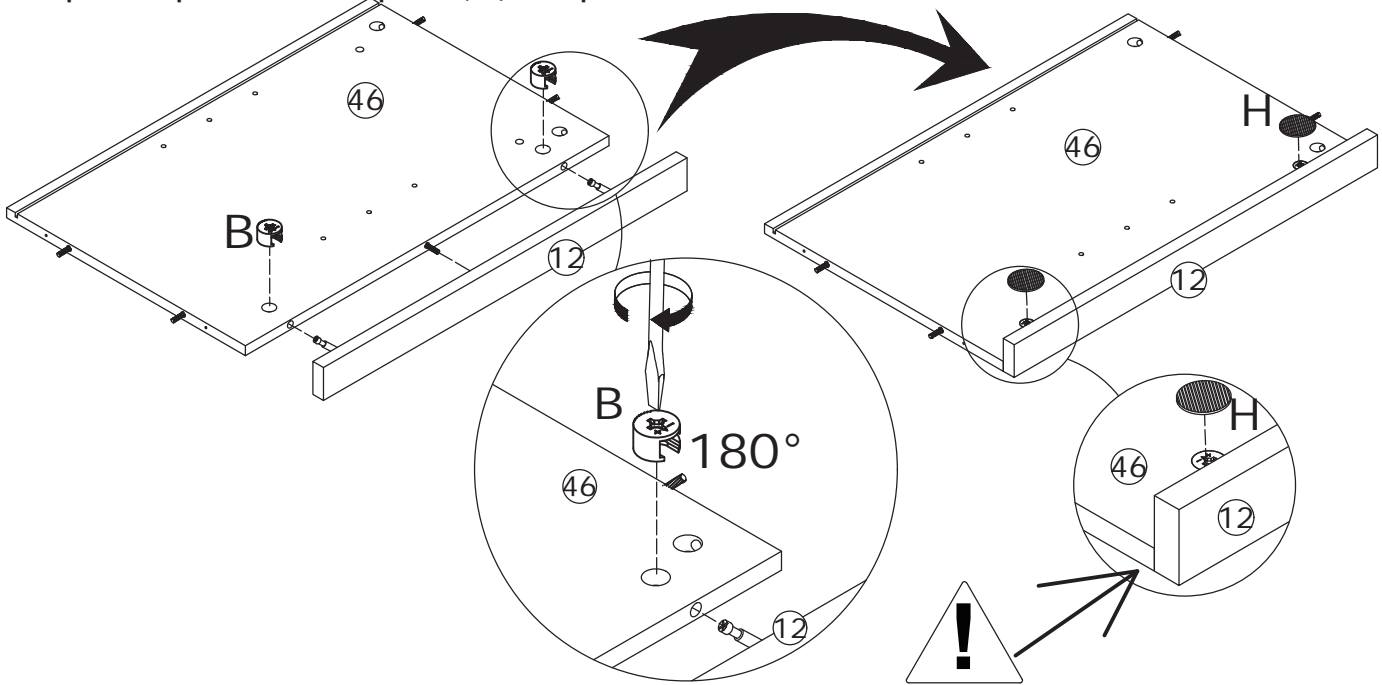
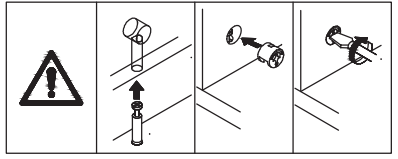


# 28



Attach plate 12 to plate 46, put cam lock(B) into holes in plate 46 and turn clockwise to tighten as shown.

Flip the part, stick part(H) to plate 46 as shown.

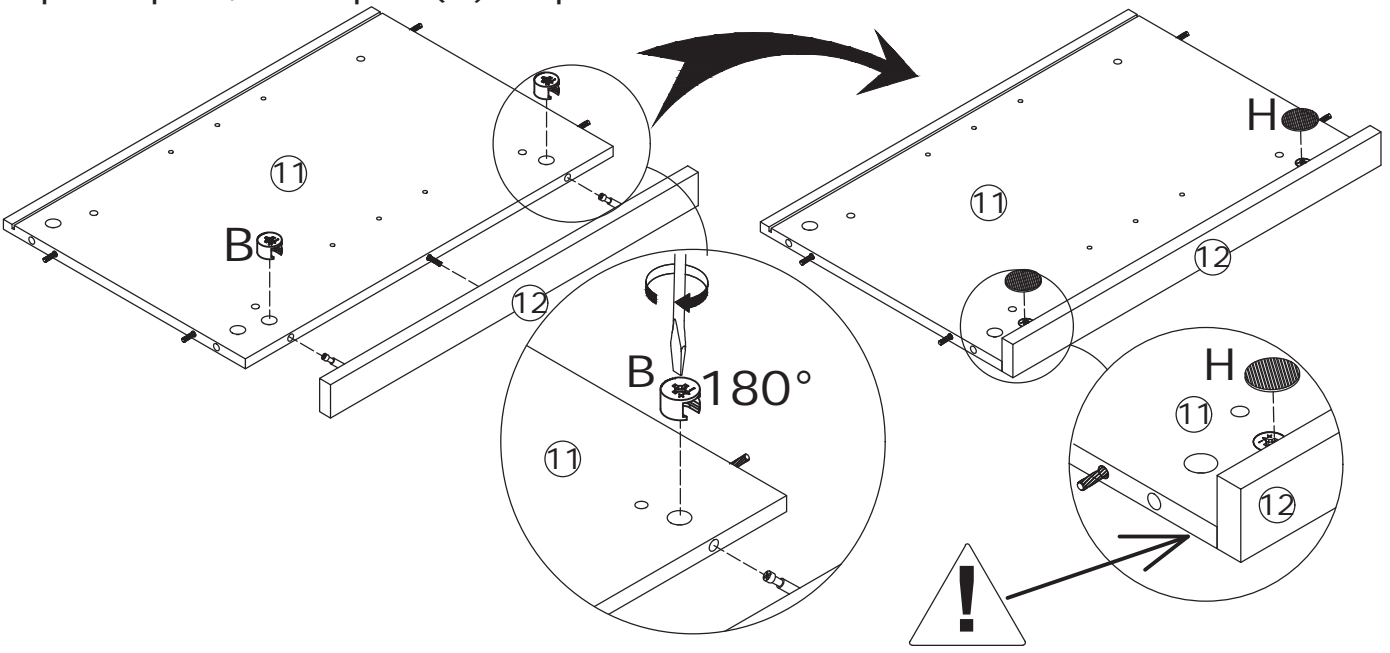
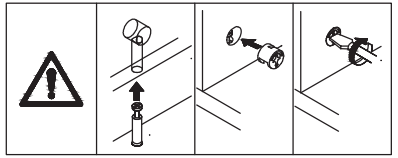


# 29



Attach another plate 12 to plate 11, put cam lock(B) into holes in plate 11 and turn clockwise to tighten as shown.

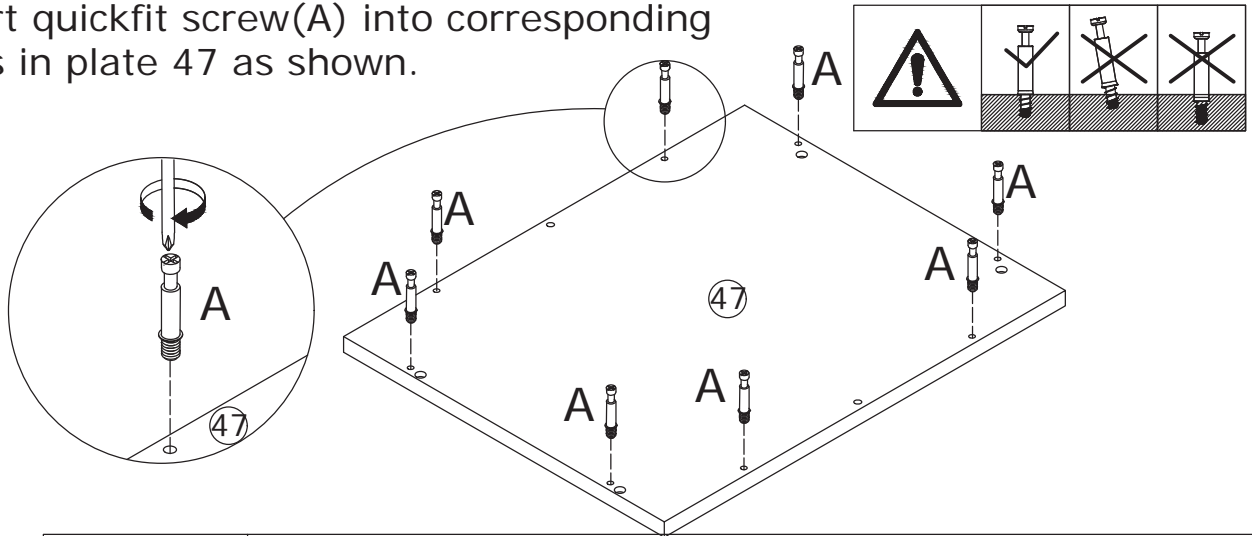
Flip the part, stick part(H) to plate 11 as shown.



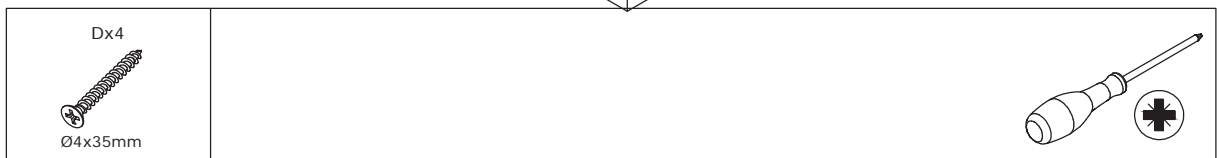
# 30



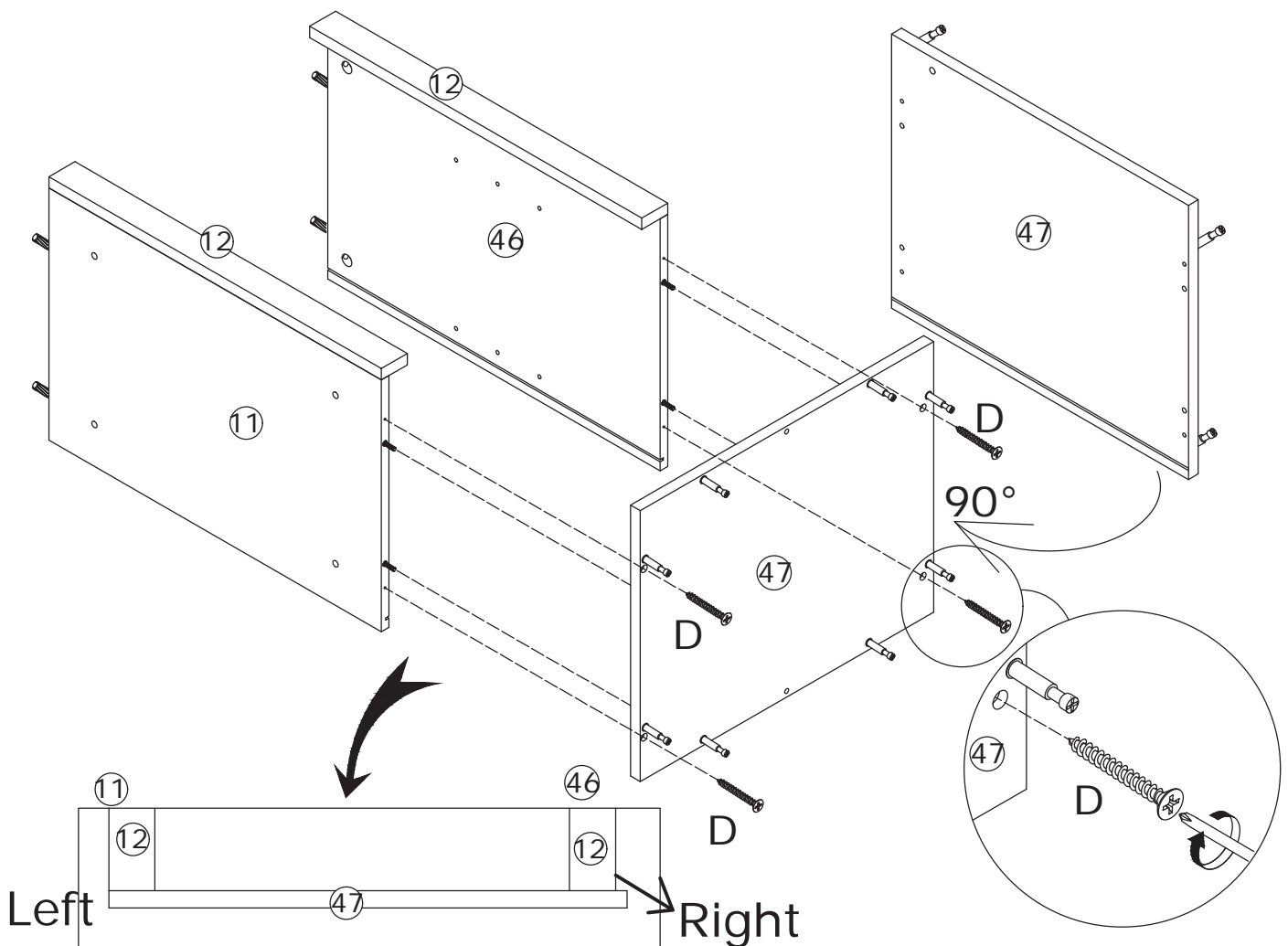
Insert quickfit screw(A) into corresponding holes in plate 47 as shown.



# 31



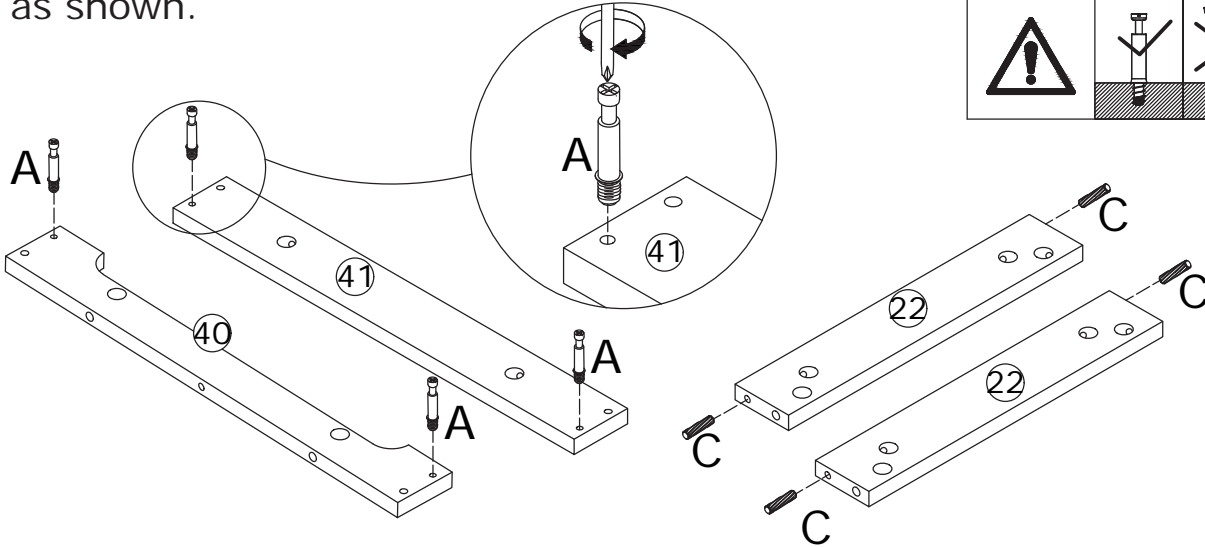
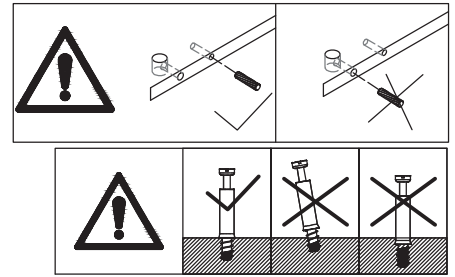
Attach the two components to plate 47, then fix using screw(D) as shown.



# 32



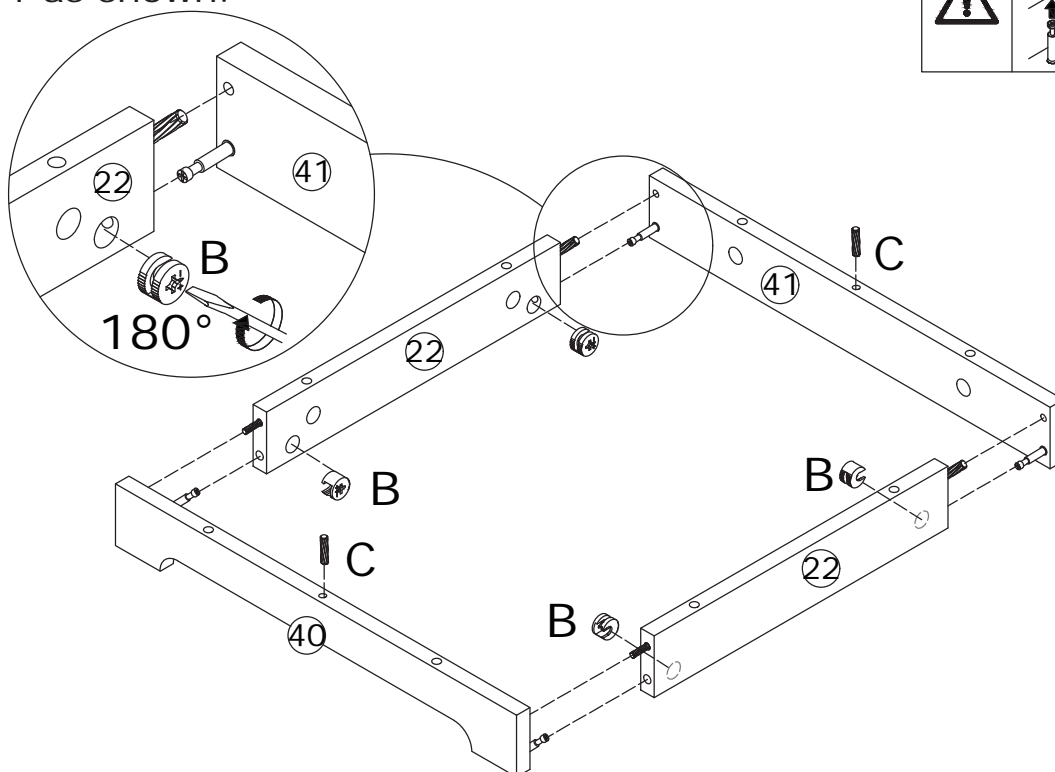
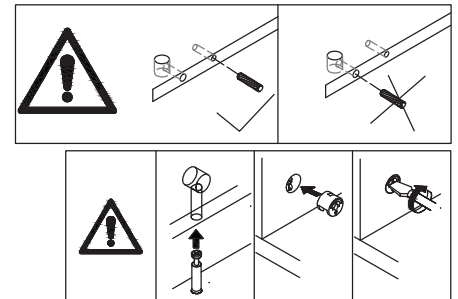
Insert quickfit screw(A) into corresponding holes in plate 40 and 41 as shown.  
Insert wooden dowel(C) into two plate 22 as shown.



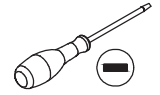
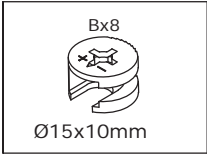
# 33



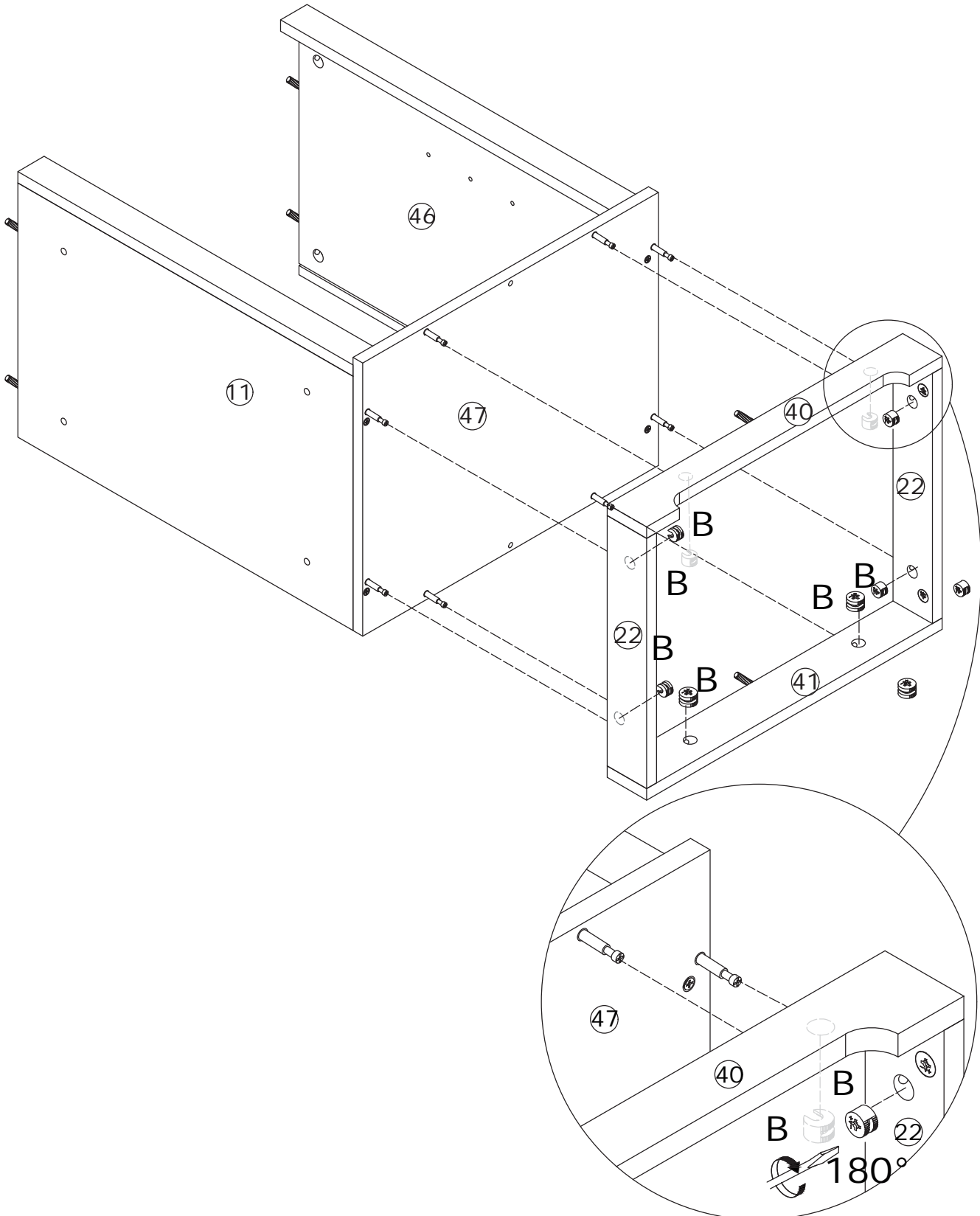
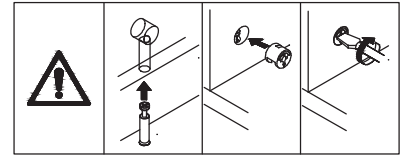
Connect plate 40 and 41 with plate 22,  
put cam lock(B) into holes in plate 22  
and turn clockwise to tighten as shown.  
Insert wooden dowel(C) into plate 40 and  
41 as shown.



# 34

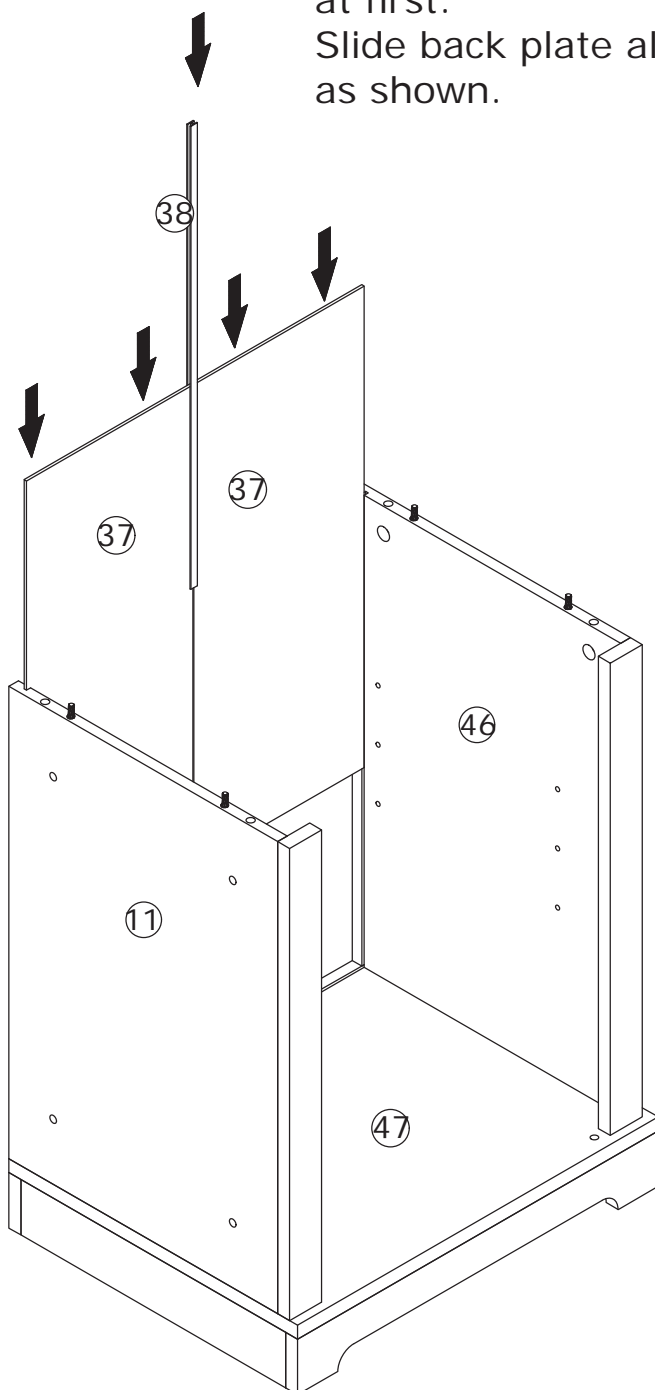


Attach the component to plate 47, put cam lock (B) into holes in plate 40, 41, 22 and turn clockwise to tighten as shown.

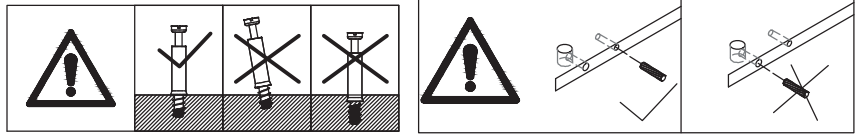


35

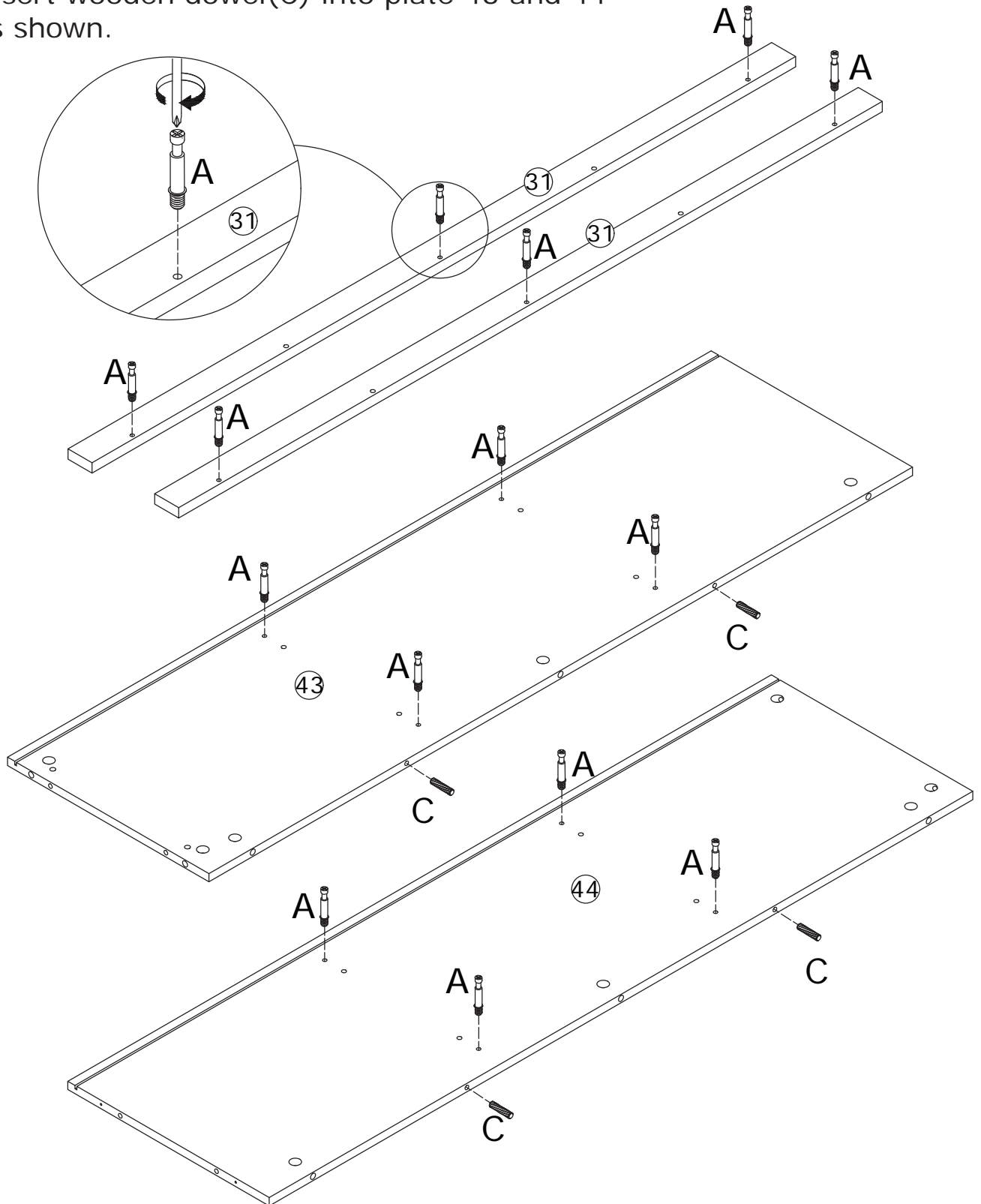
Connect plate 37 with plastic bar 38 at first.  
Slide back plate along grooves  
as shown.



# 36



Insert quickfit screw(A) into corresponding holes in plate 43,44 and two plate 31 as shown. Insert wooden dowel(C) into plate 43 and 44 as shown.

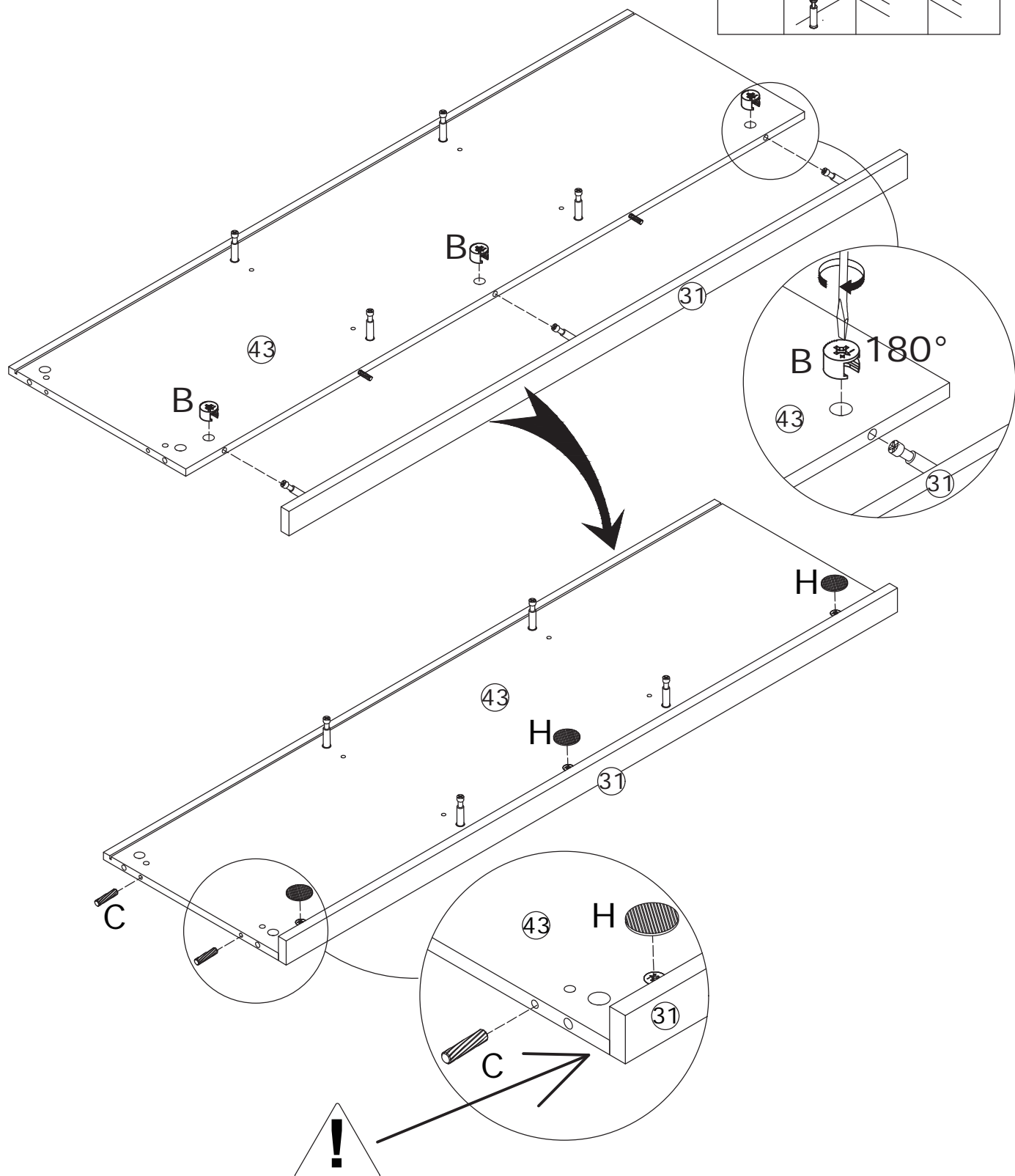
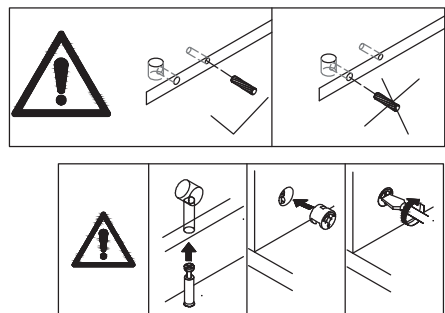


# 37

 Bx3 Ø15x10mm	 Cx2 Ø6x30mm	 Hx3 Ø20mm	
--	---	---	---

Attach plate 31 to plate 43, put cam lock(B) into holes in plate 43 and turn clockwise to tighten as shown.

Flip the part, stick part(H) to plate 43 as shown.

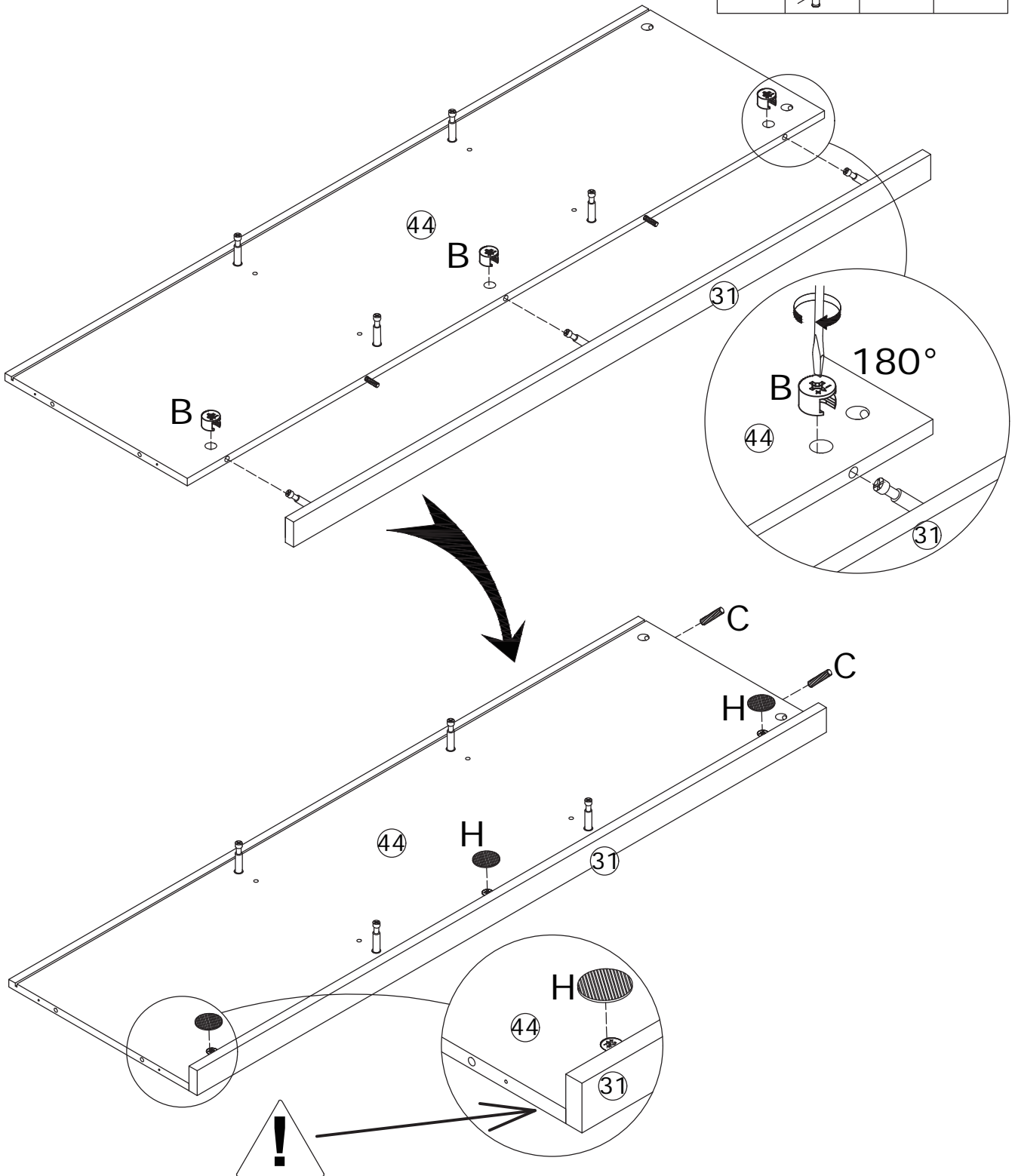
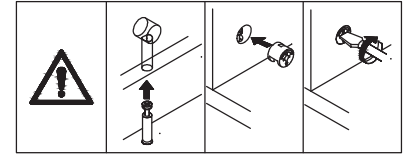
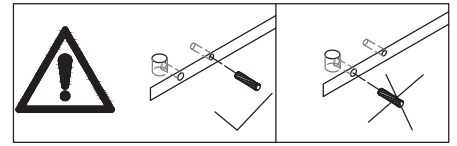


# 38

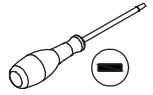
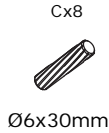


Attach another plate 31 to plate 44, put cam lock(B) into holes in plate 44 and turn clockwise to tighten as shown.

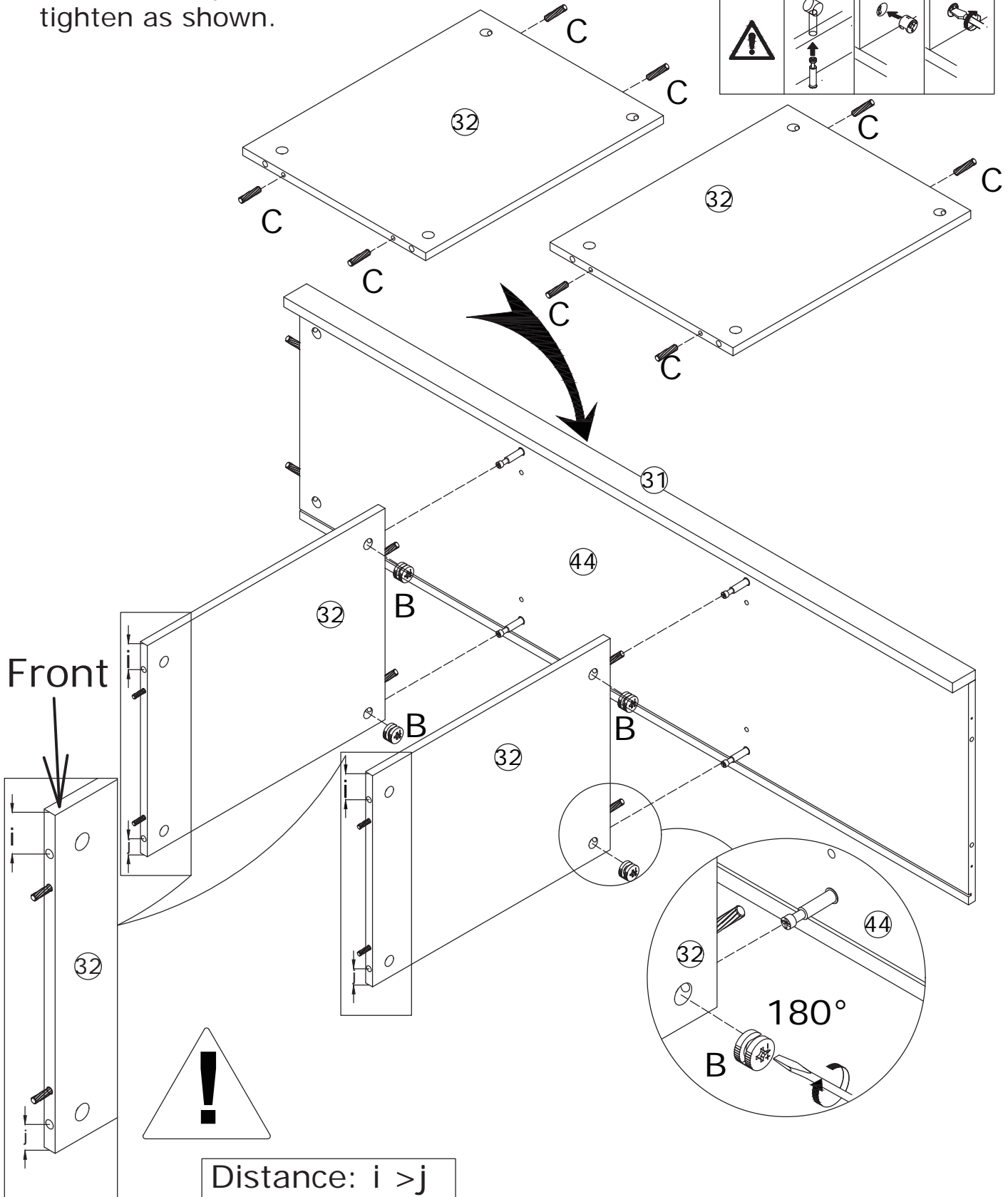
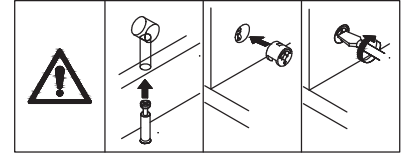
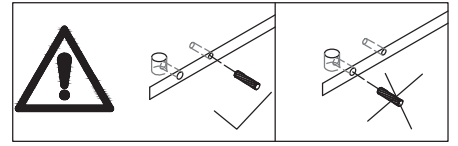
Flip the part, stick part(H) to plate 44 as shown.



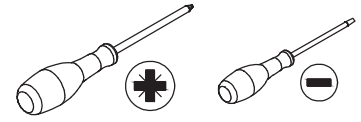
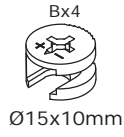
# 39



Insert wooden dowel(C) into two plate 32 as shown.  
Attach plate 32 to plate 44, put cam lock(B) into holes in plate 32 and turn clockwise to tighten as shown.

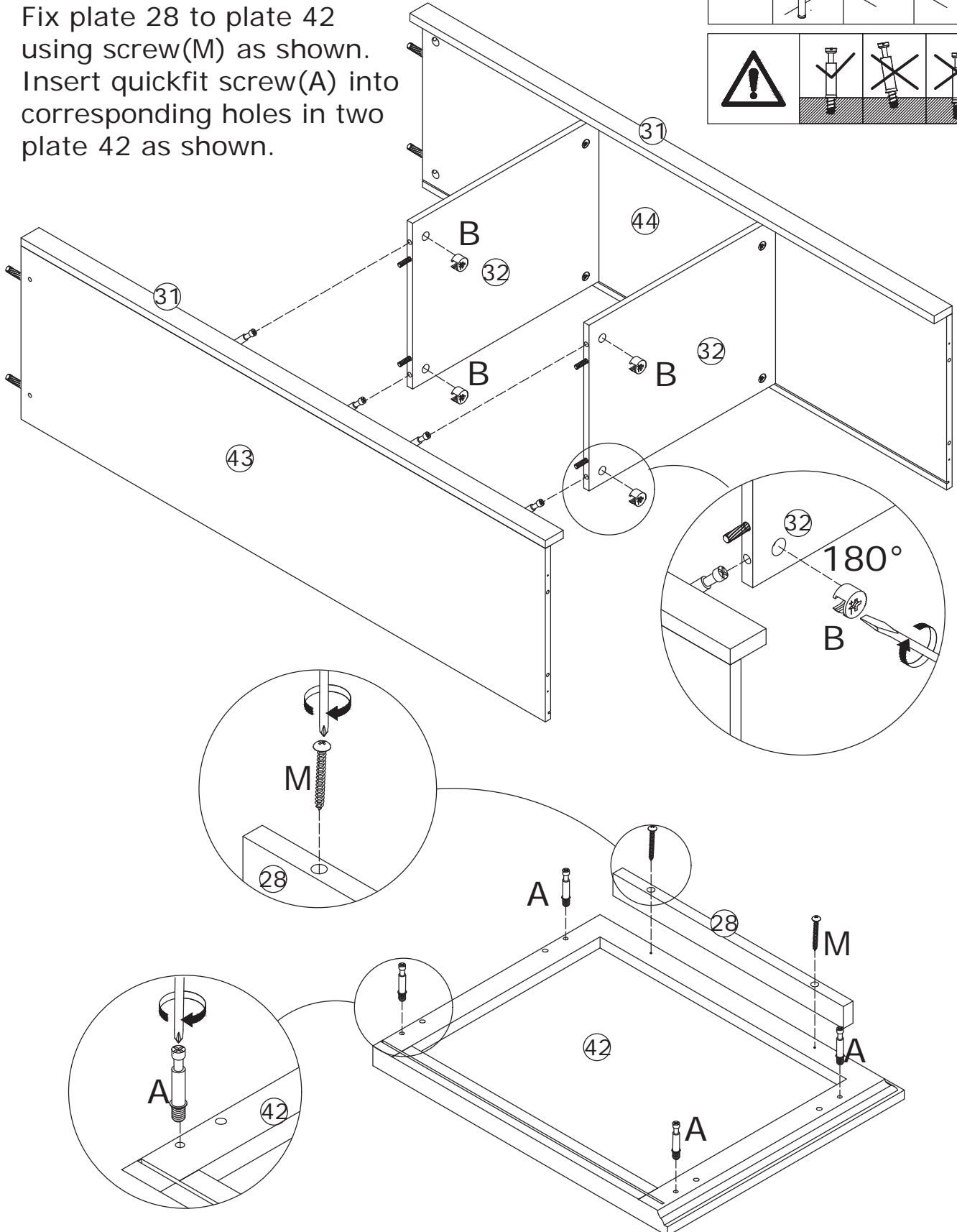
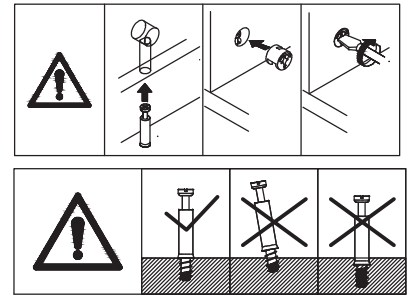


# 40

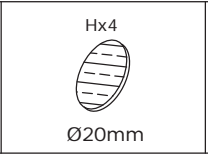
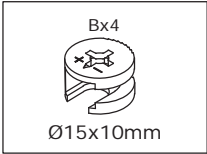


Attach plate 43 to plate 32, put cam lock (B) into holes in plate 32 and turn clockwise to tighten as shown.

Fix plate 28 to plate 42 using screw (M) as shown. Insert quickfit screw (A) into corresponding holes in two plate 42 as shown.

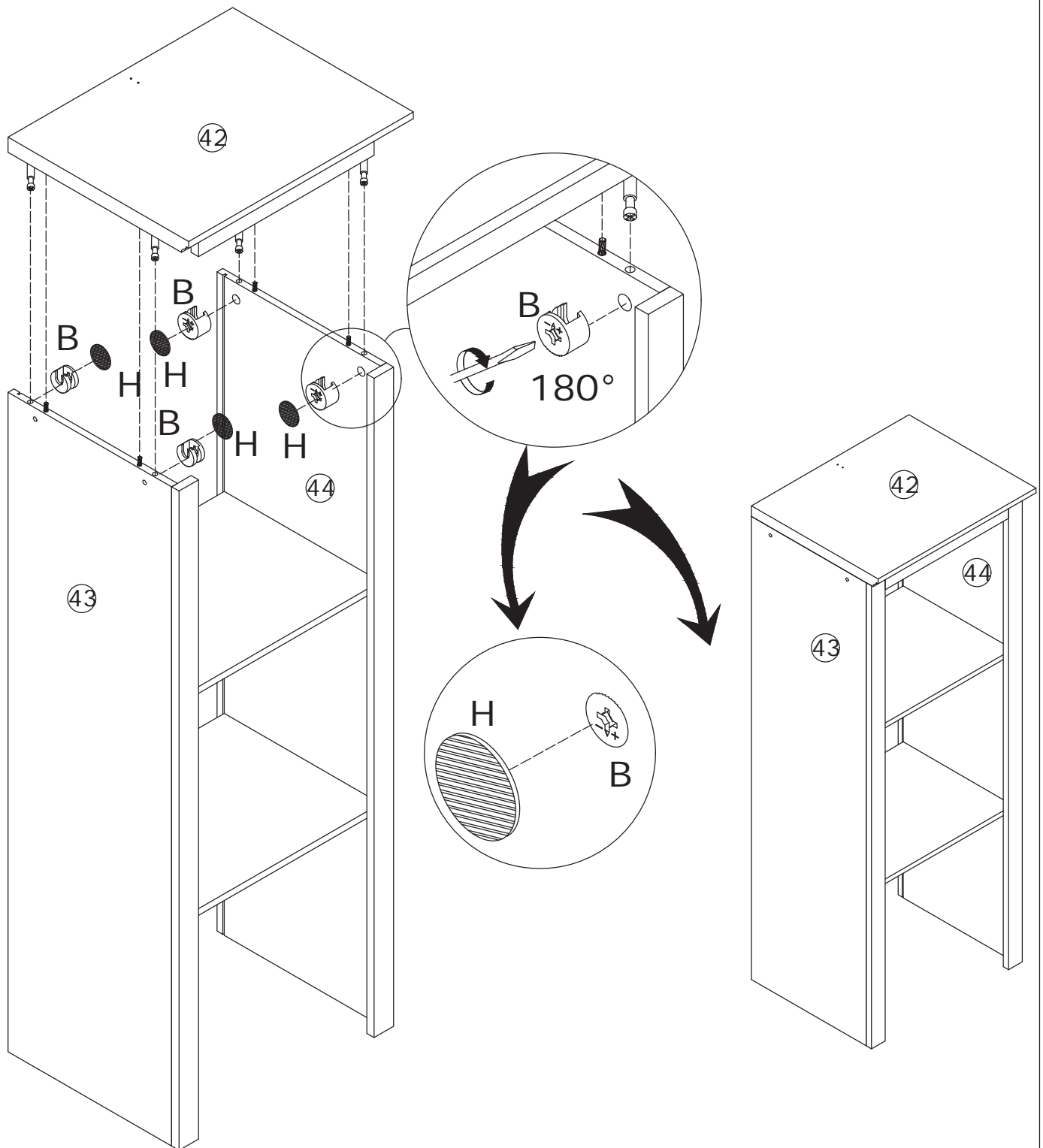
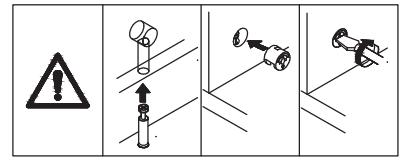


# 41




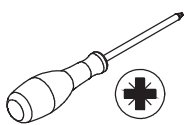


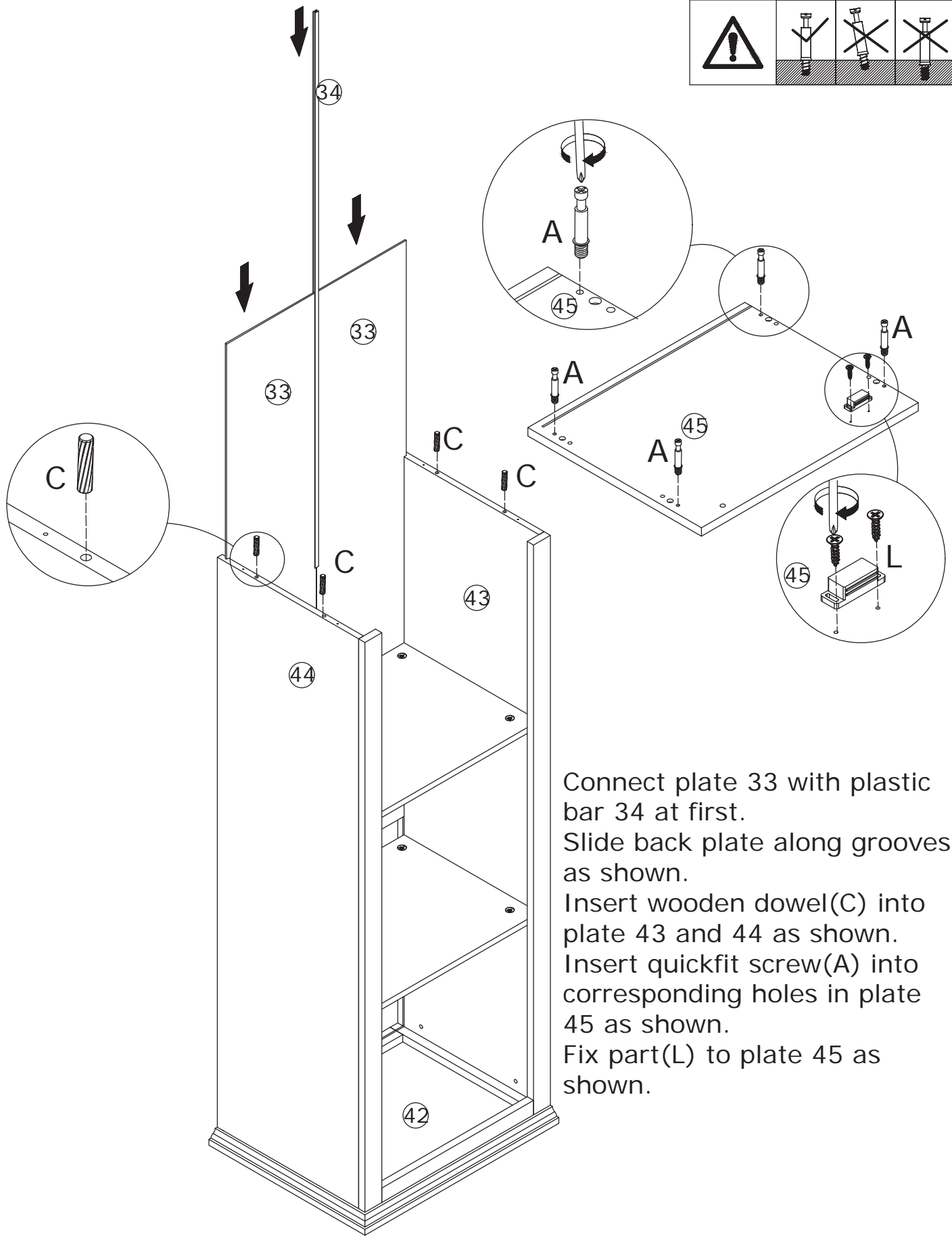
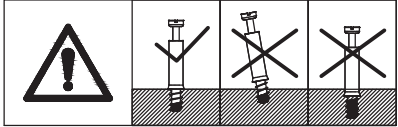
Cover plate 42 to plate 43 and 44, put cam lock(B) into holes in plate 43,44 and turn clockwise to tighten as shown.

Stick part(H) to plate 43 and 44 as shown.



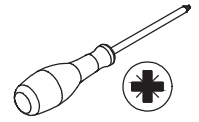
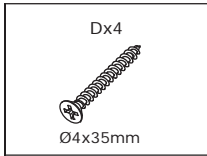
42

<p>Ax4</p>  <p>Ø6x35mm</p>	<p>Cx4</p>  <p>Ø6x30mm</p>	<p>Lx1</p> 	
---	---	--	---

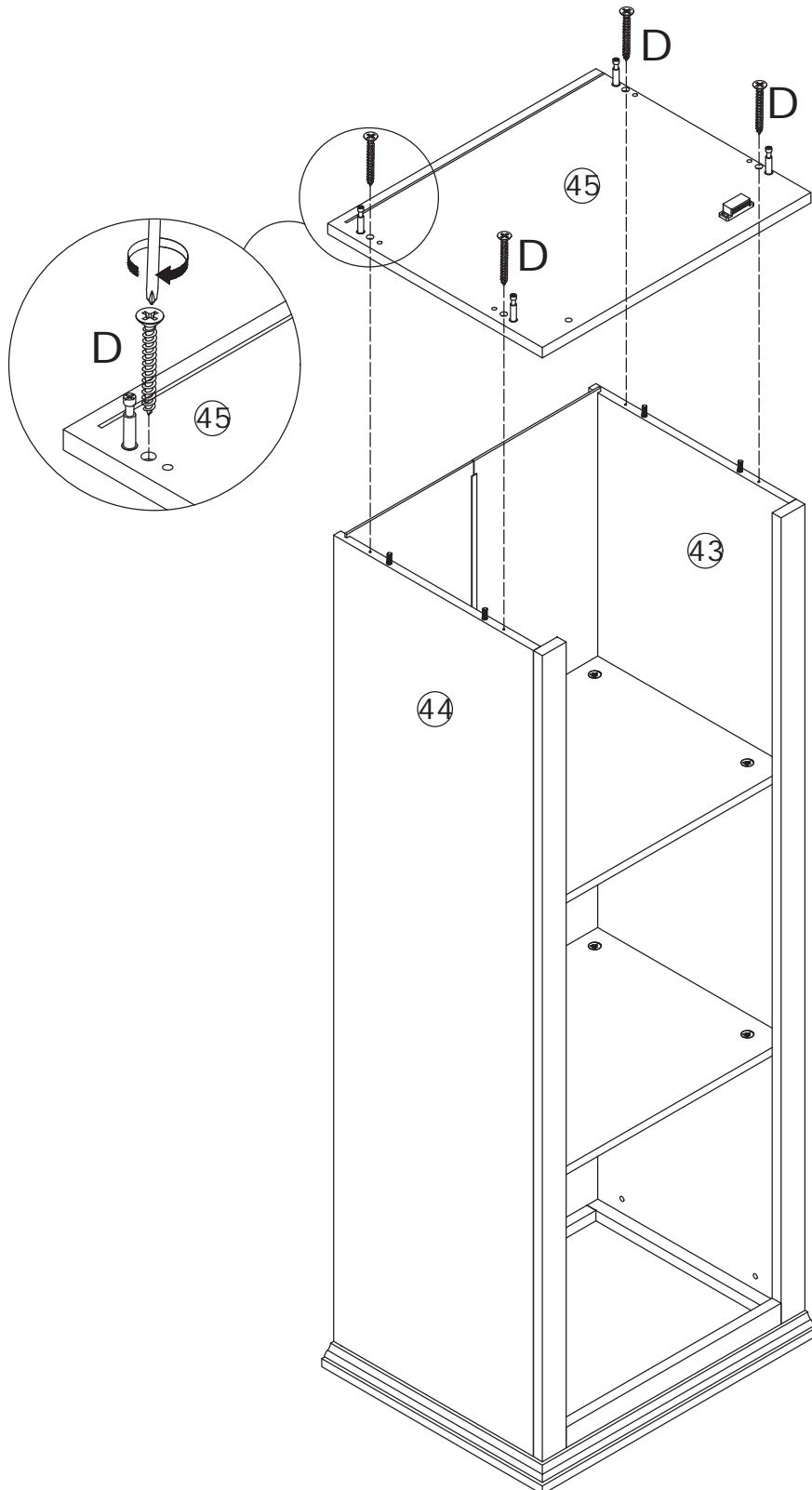


Connect plate 33 with plastic bar 34 at first.  
Slide back plate along grooves as shown.  
Insert wooden dowel(C) into plate 43 and 44 as shown.  
Insert quickfit screw(A) into corresponding holes in plate 45 as shown.  
Fix part(L) to plate 45 as shown.

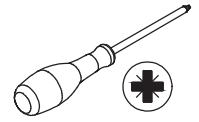
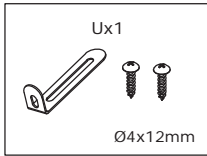
43



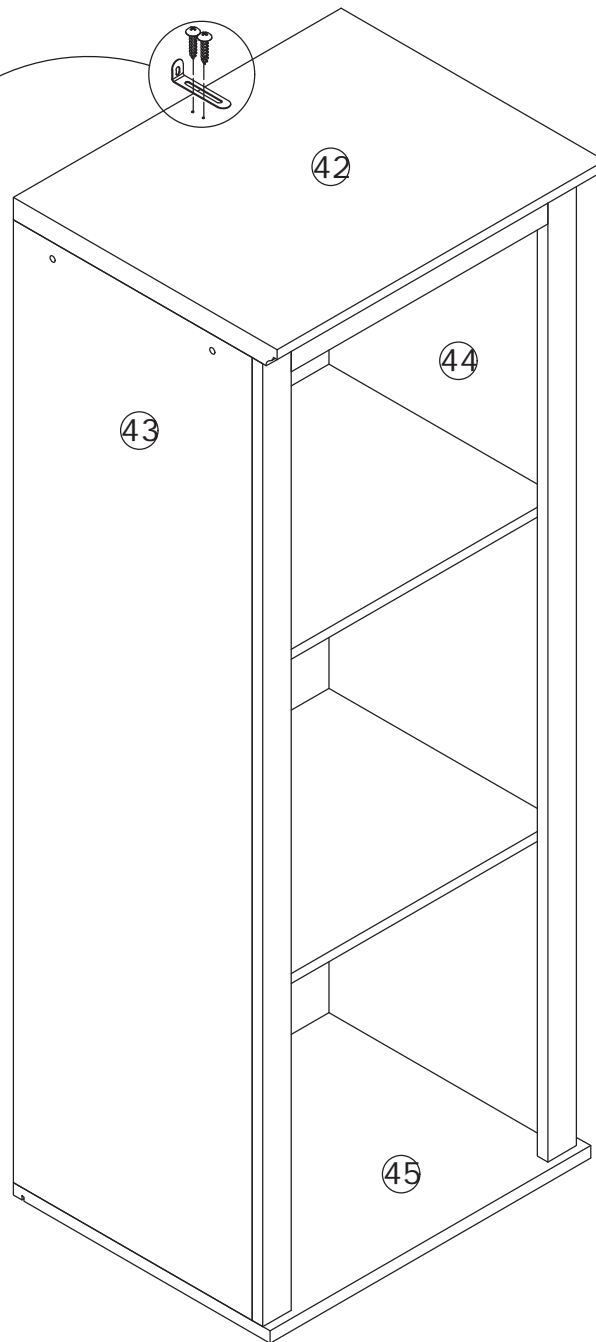
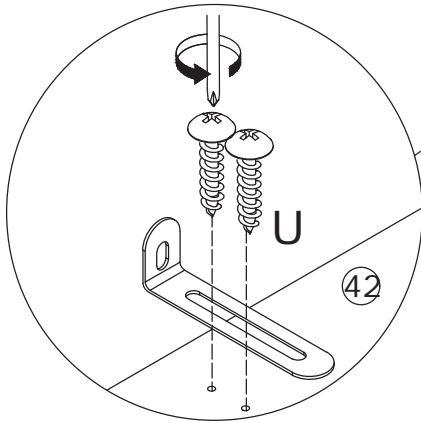
Fix plate 45 to plate 43 and 44 using screw(D) as shown.



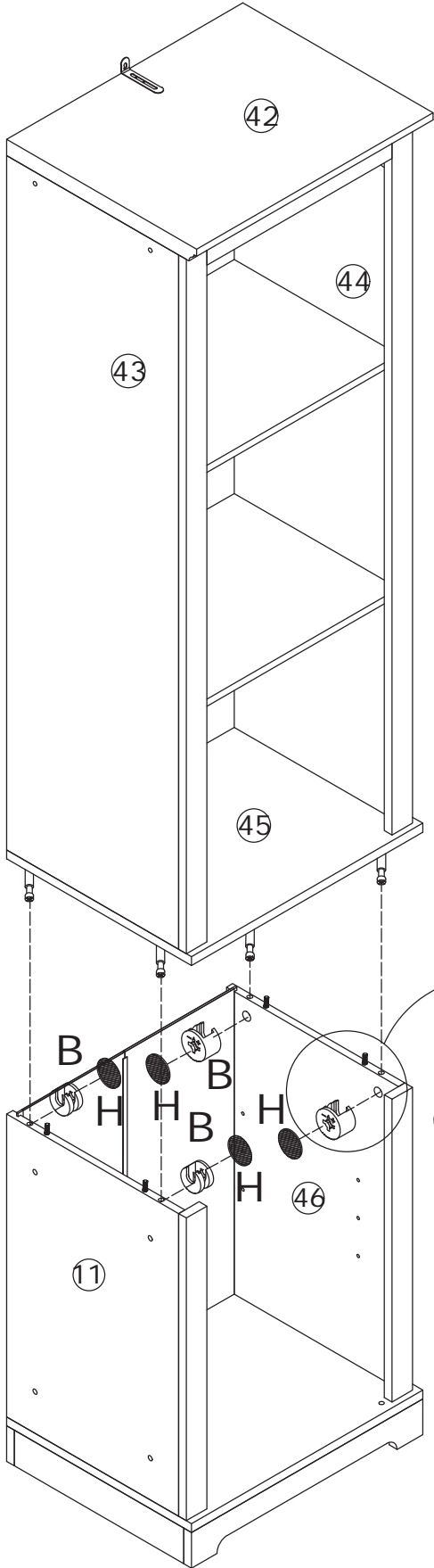
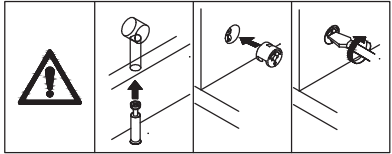
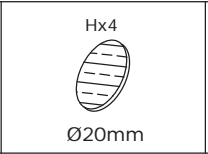
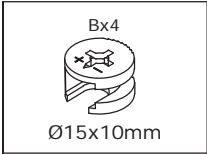
44



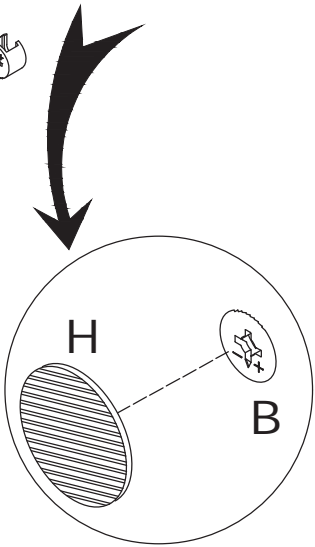
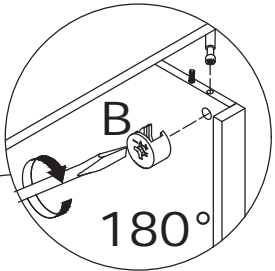
Fix part(U) to plate 42 as shown.



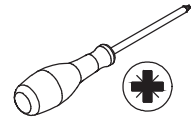
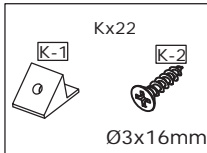
45



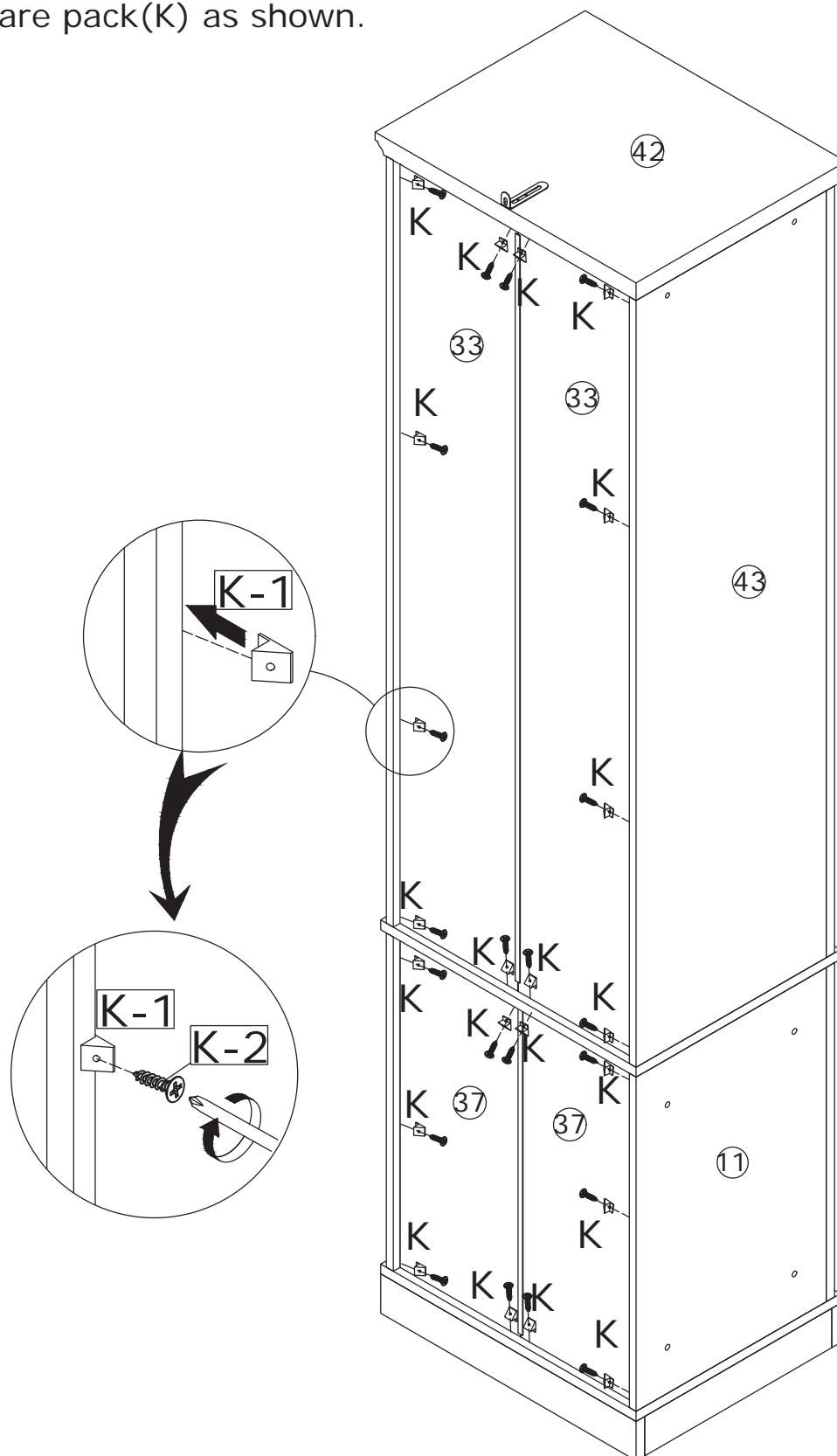
Connect the two components together, put cam lock(B) into holes in plate 11,46 and turn clockwise to tighten as shown.  
Stick part(H) to plate 11 and 46 as shown.



46



Reinforce back plate using hardware pack(K) as shown.

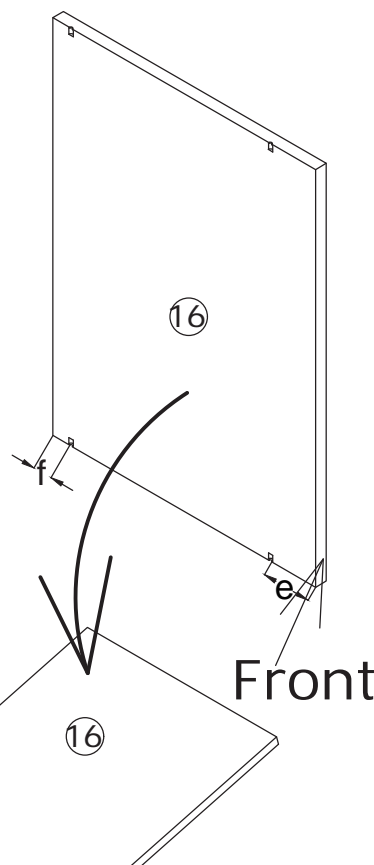
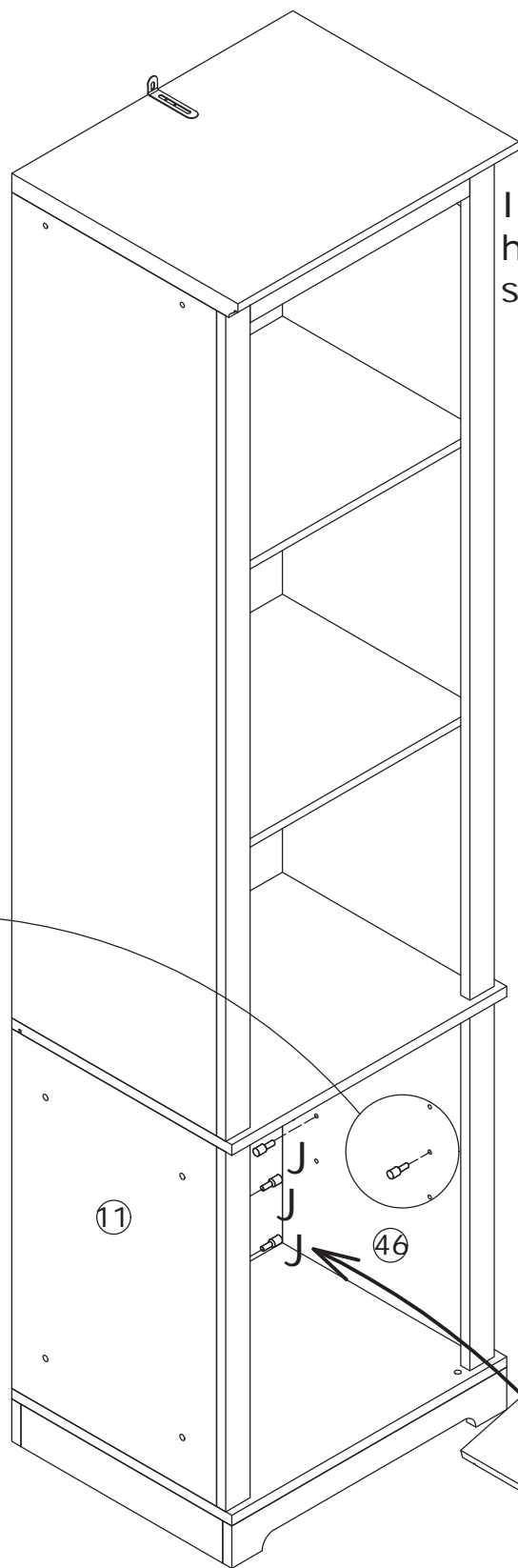
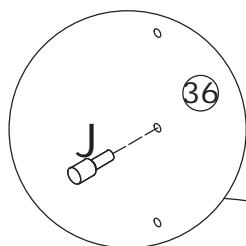


47

Jx4

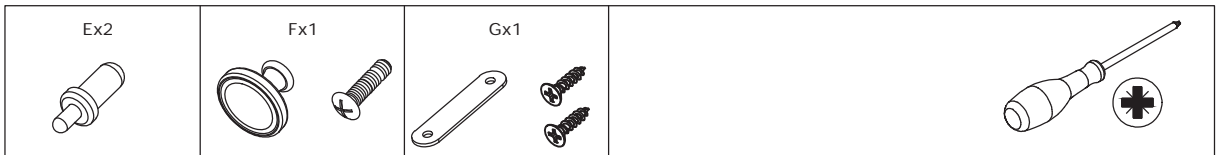


Insert part(J) into corresponding holes in plate 11 and 46, place shelf 16 in as shown.

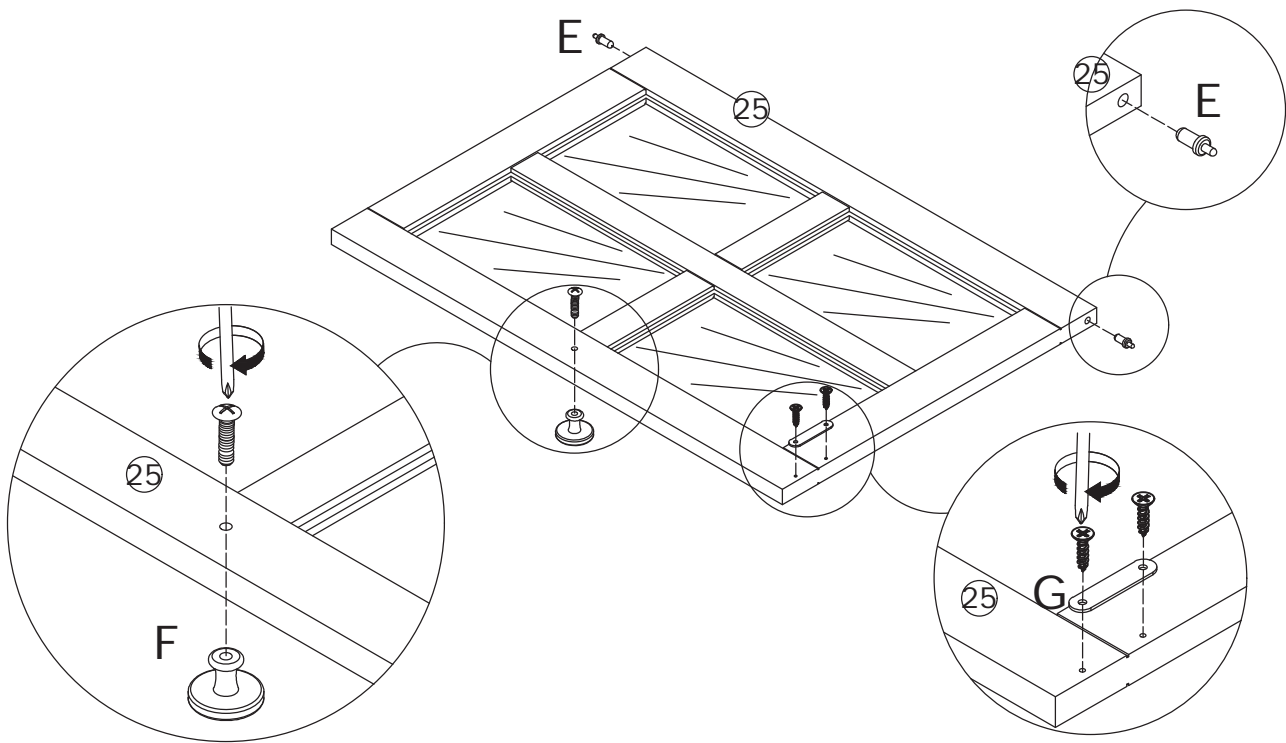


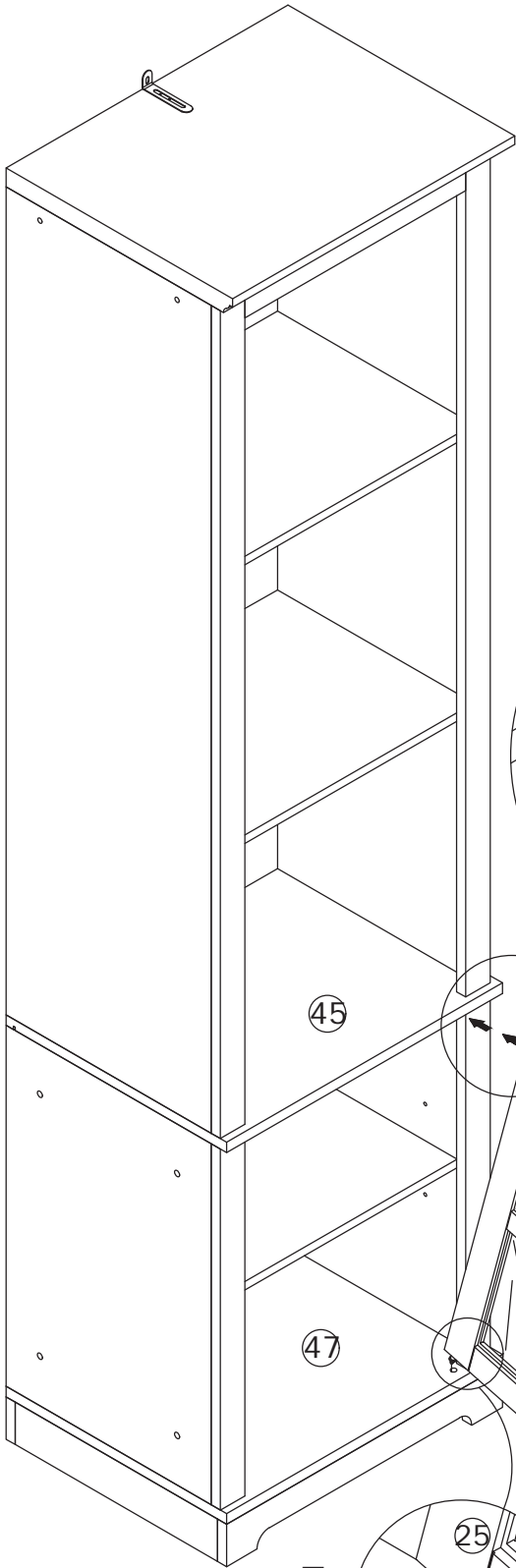
Distance:  $e > f$

48

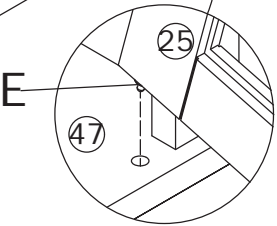
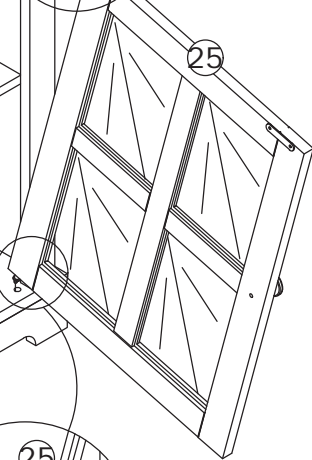
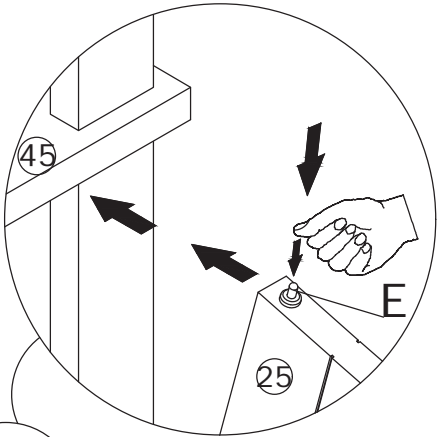


Insert part(E) into plate 25 as shown.  
Fix part(G) and knob(F) to plate 25 as shown.

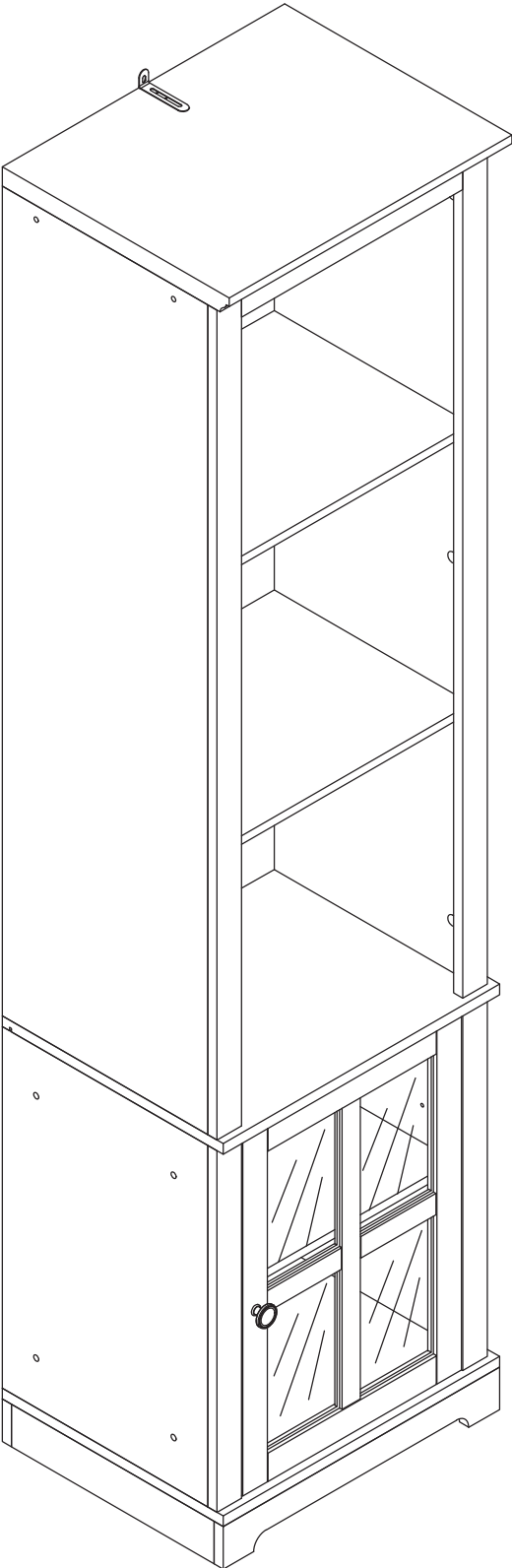




Assembled the door plate as shown.



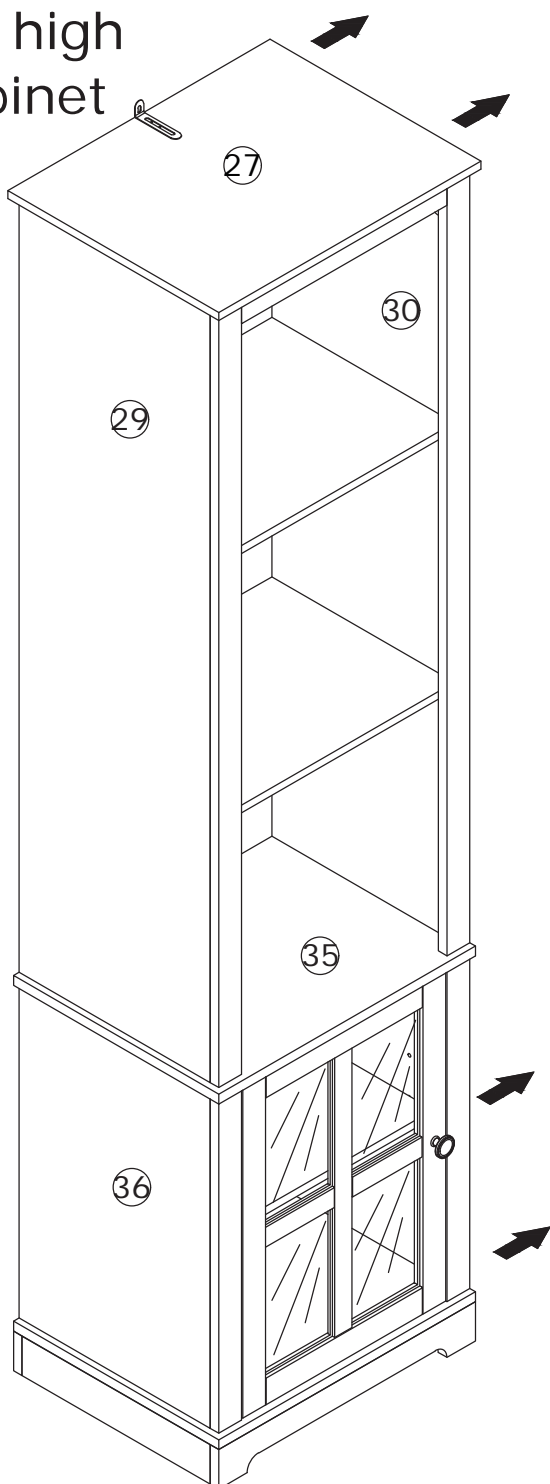
50



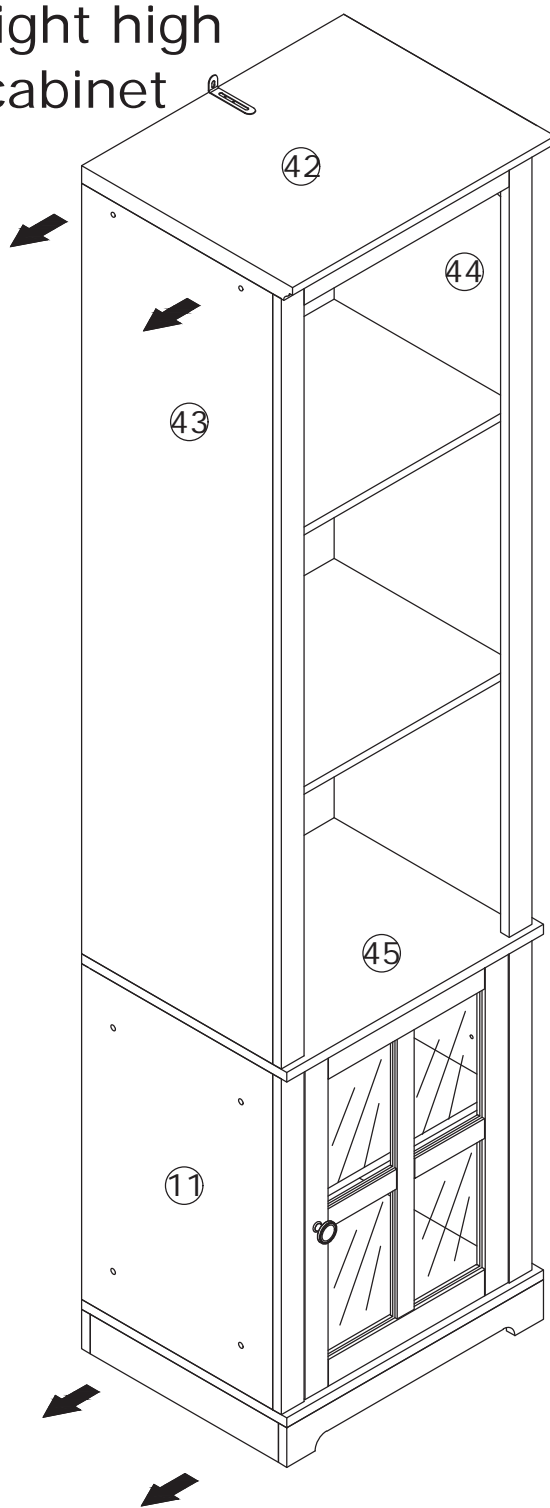
# 51

If there are only two high cabinets, please follow the figure below

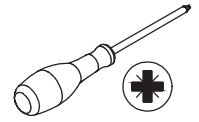
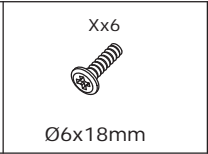
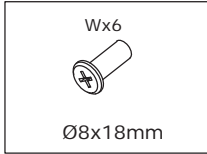
Left high cabinet



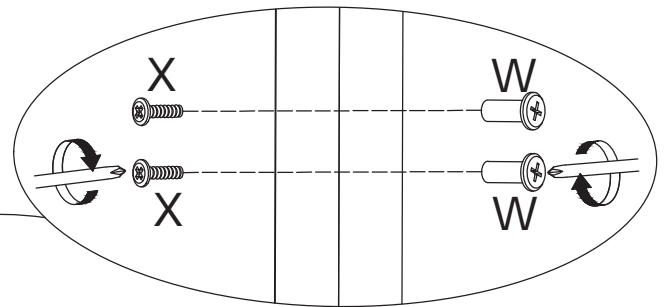
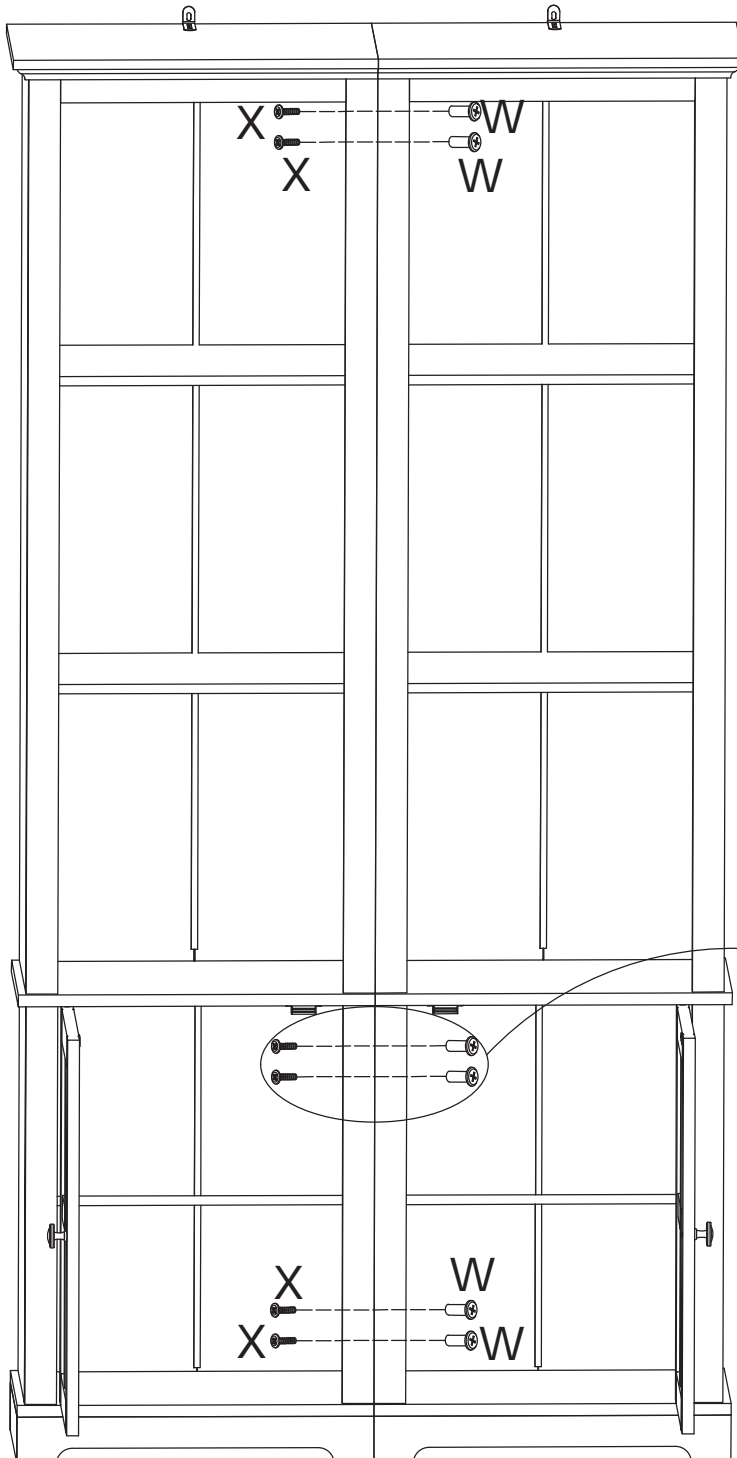
Right high cabinet



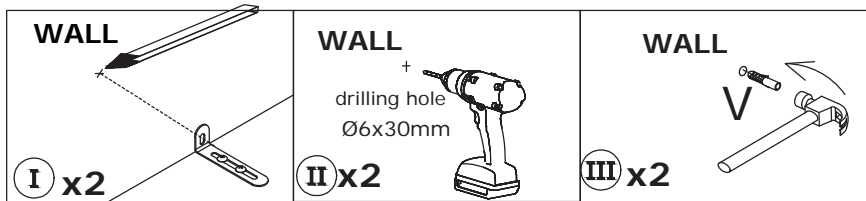
52



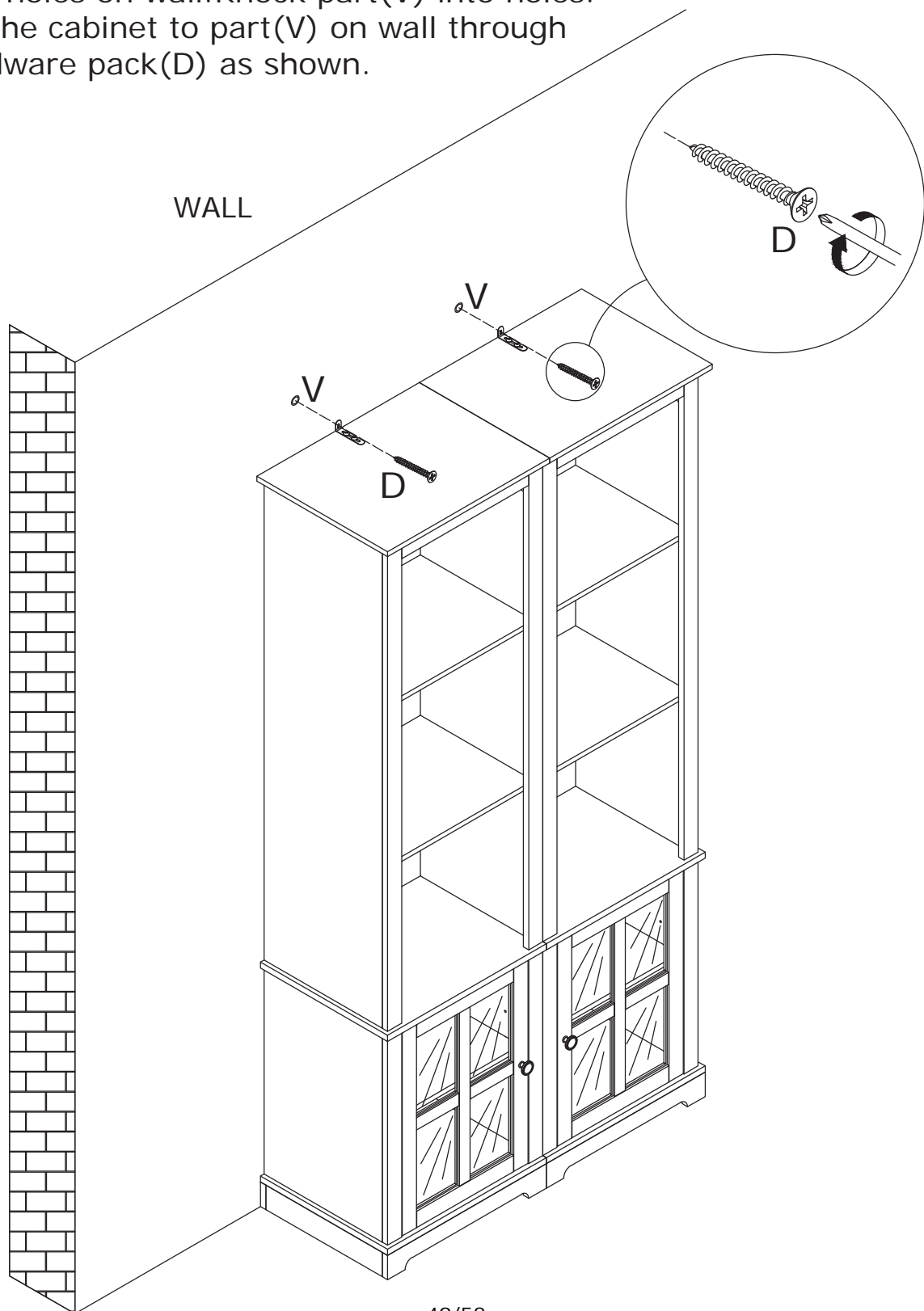
Fix them together using hardware pack(W,X) as shown.



53



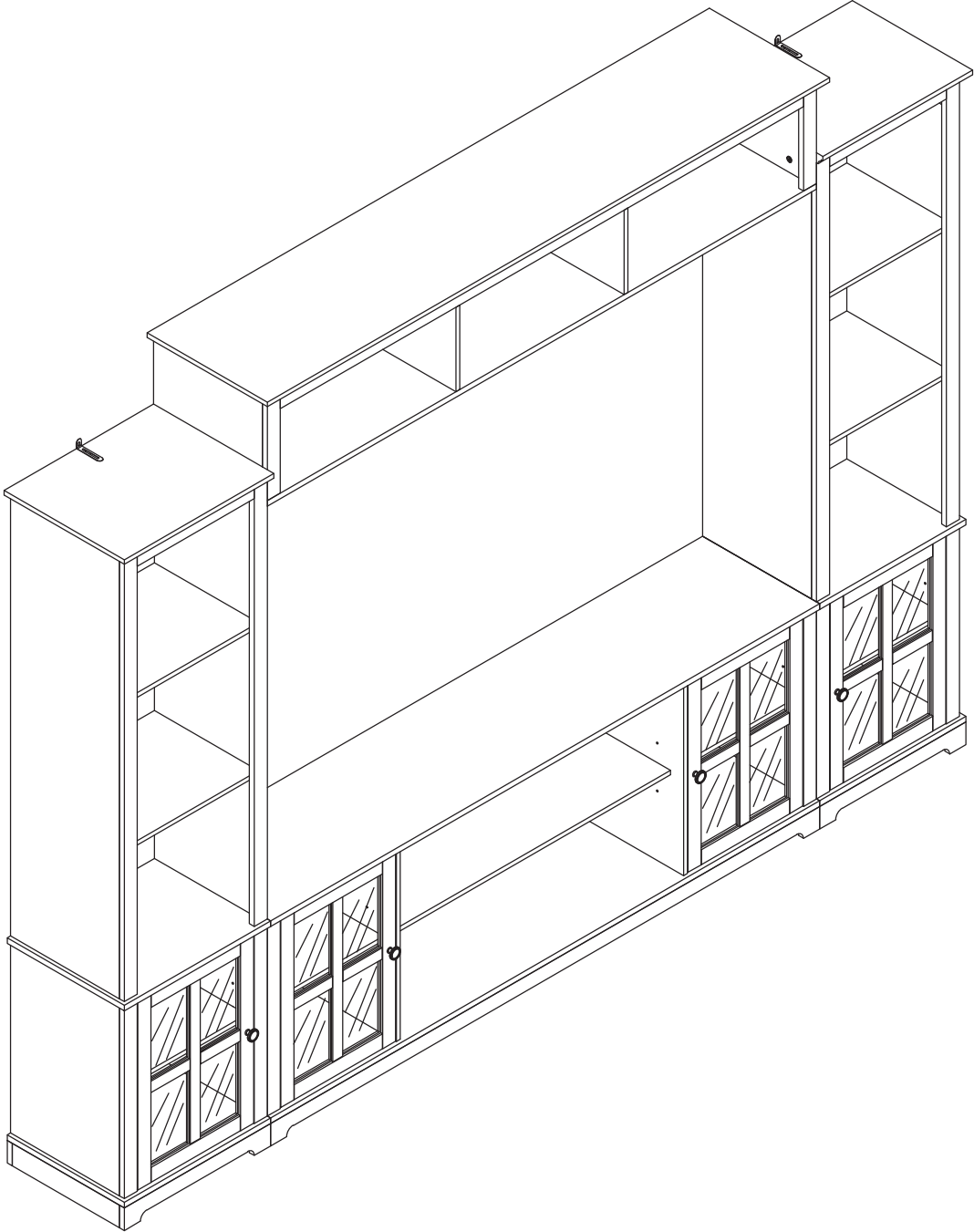
Drill holes on wall. Knock part (V) into holes.  
Fix the cabinet to part (V) on wall through  
hardware pack (D) as shown.



54



If there are left and right high cabinets, hanging cabinets and TV cabinets, please install them as shown in the figure below.

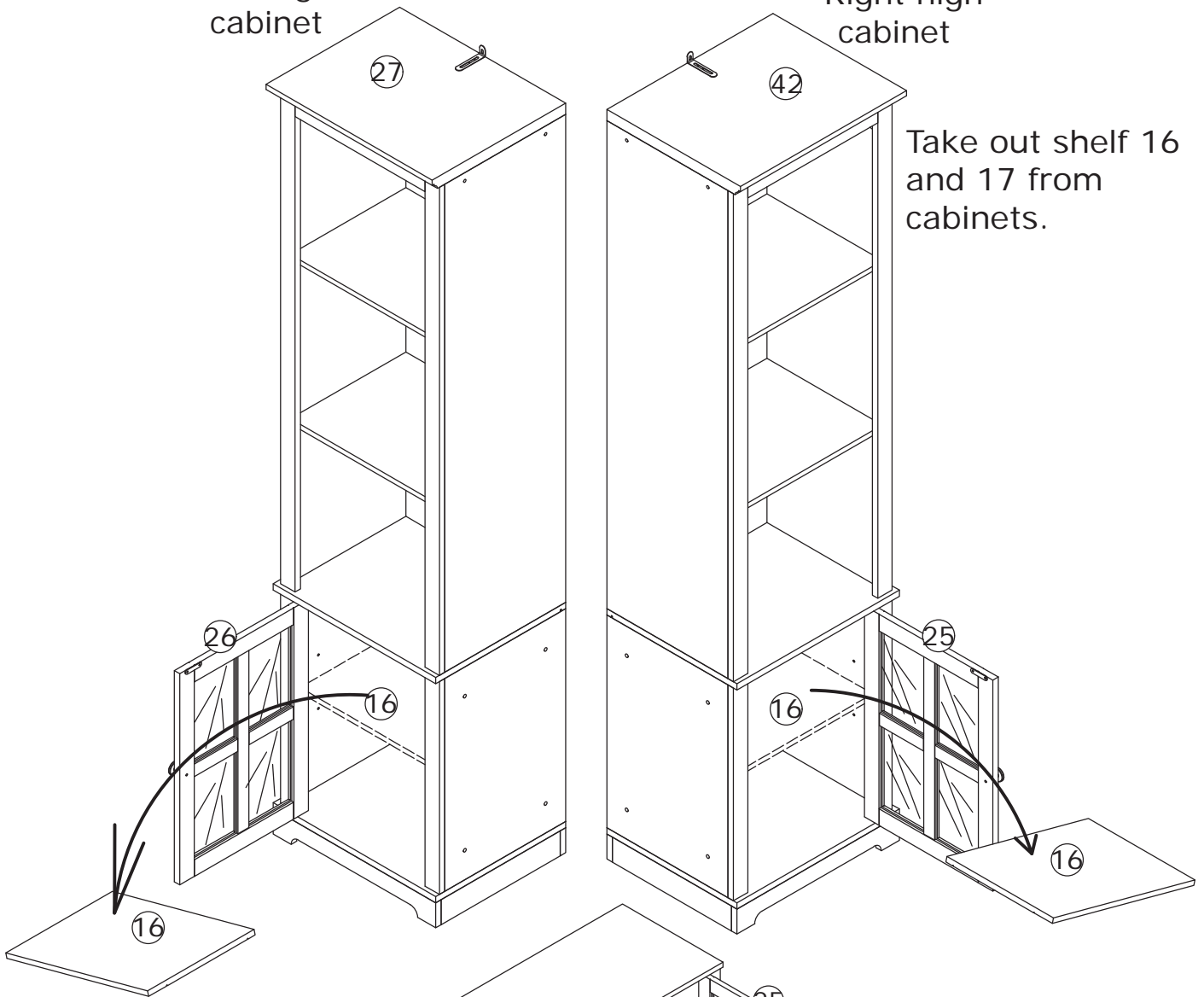




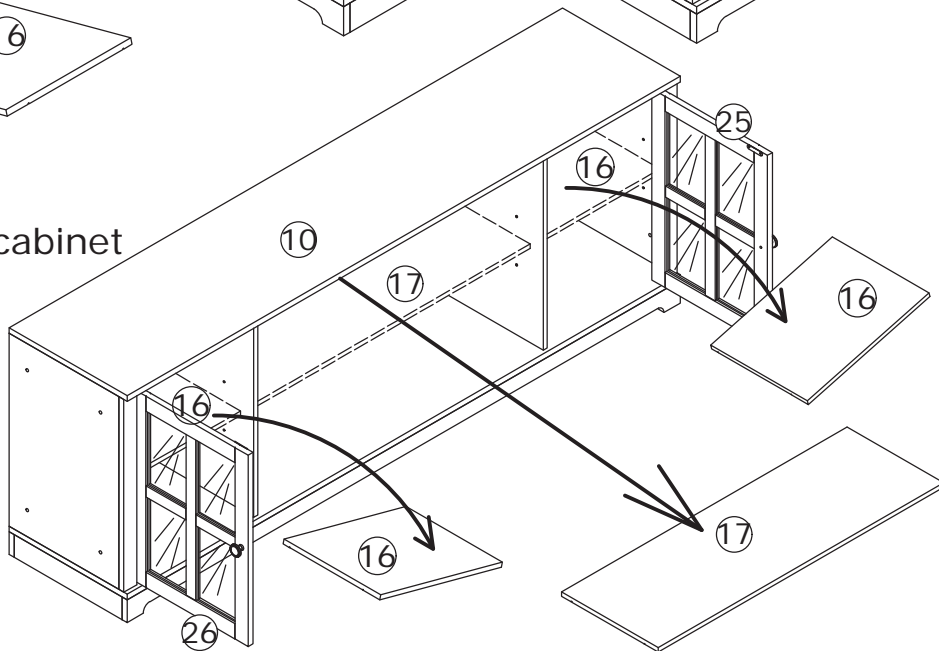
Left high cabinet

Right high cabinet

Take out shelf 16 and 17 from cabinets.



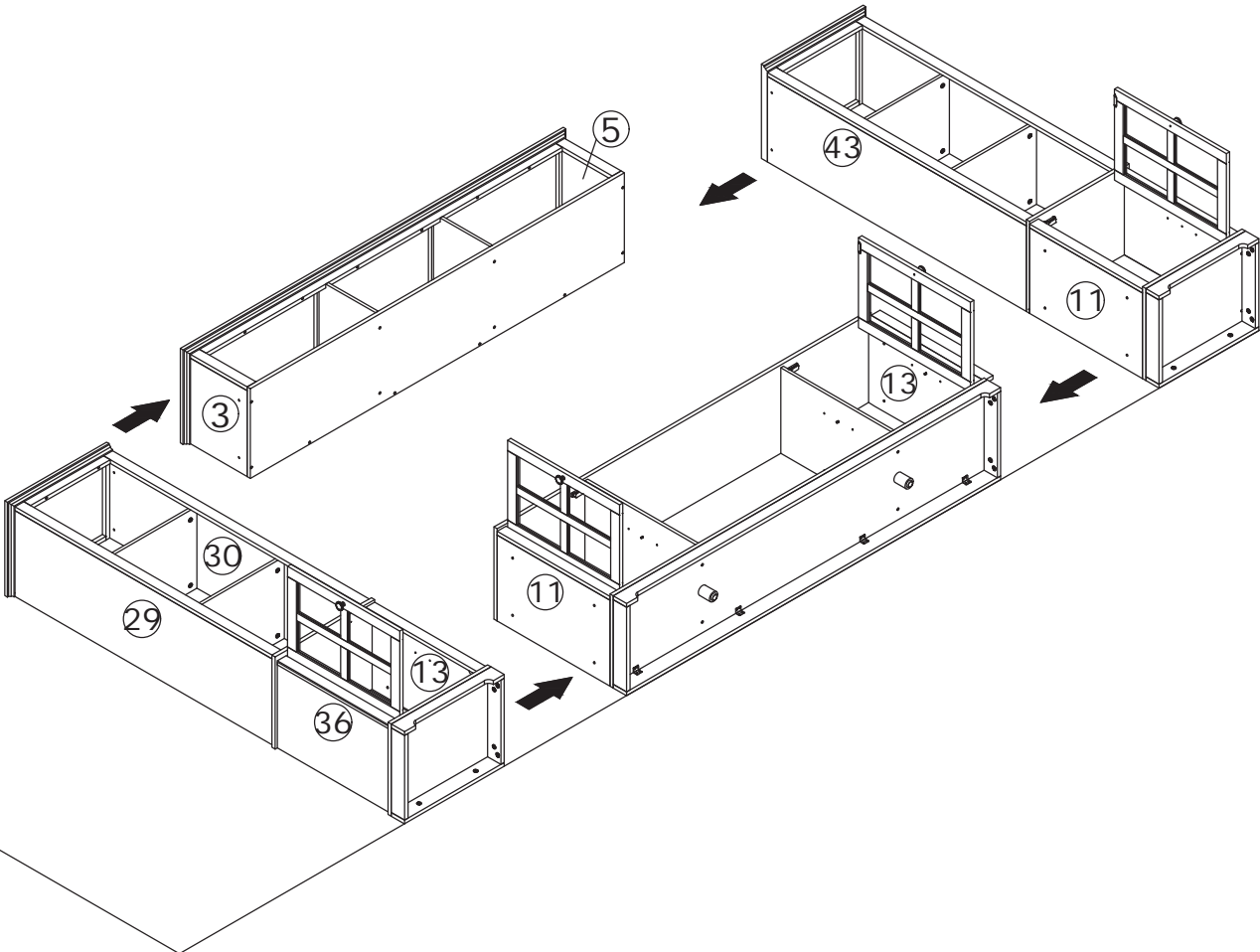
TV cabinet



56



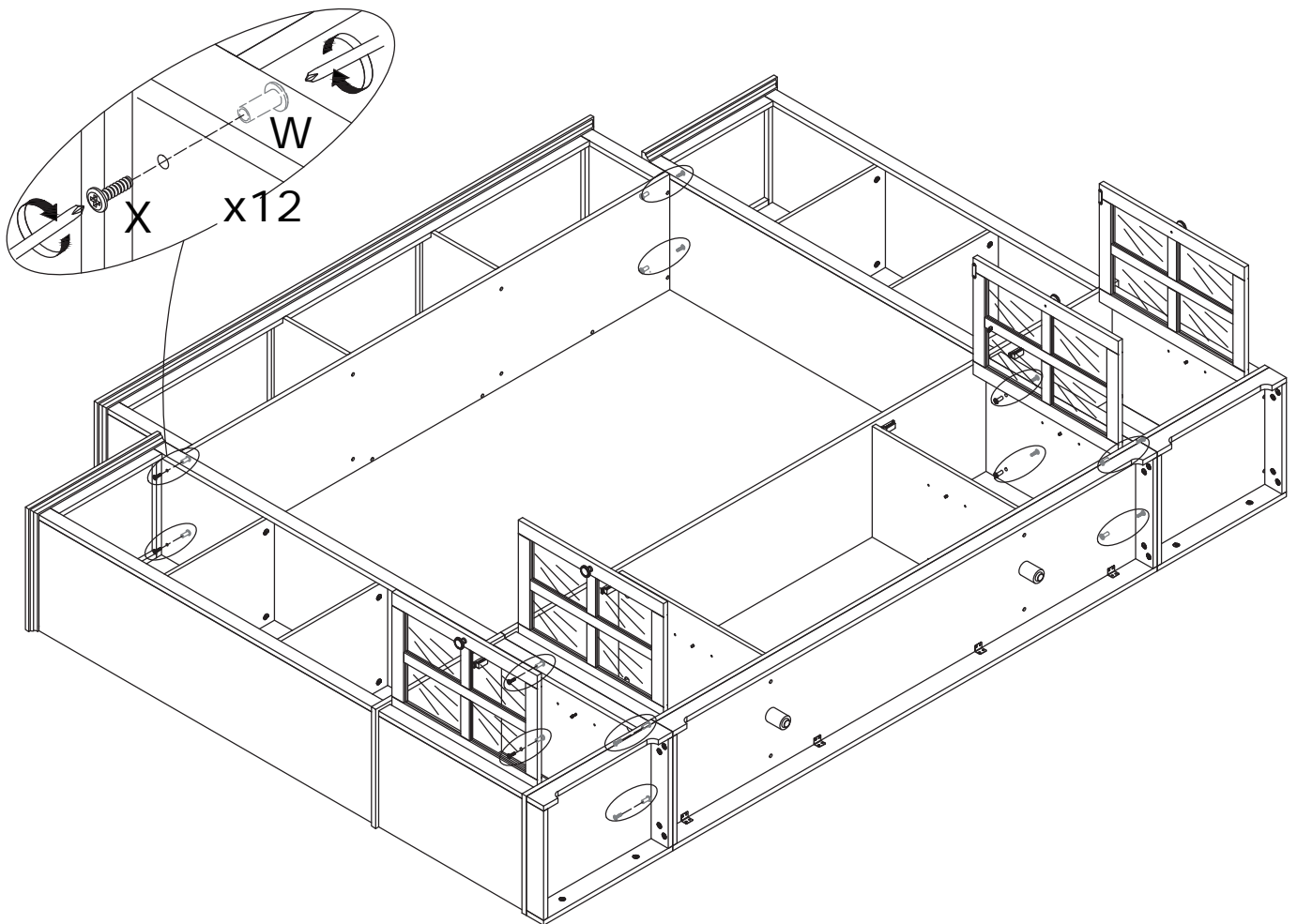
Assemble four units together as shown.



57

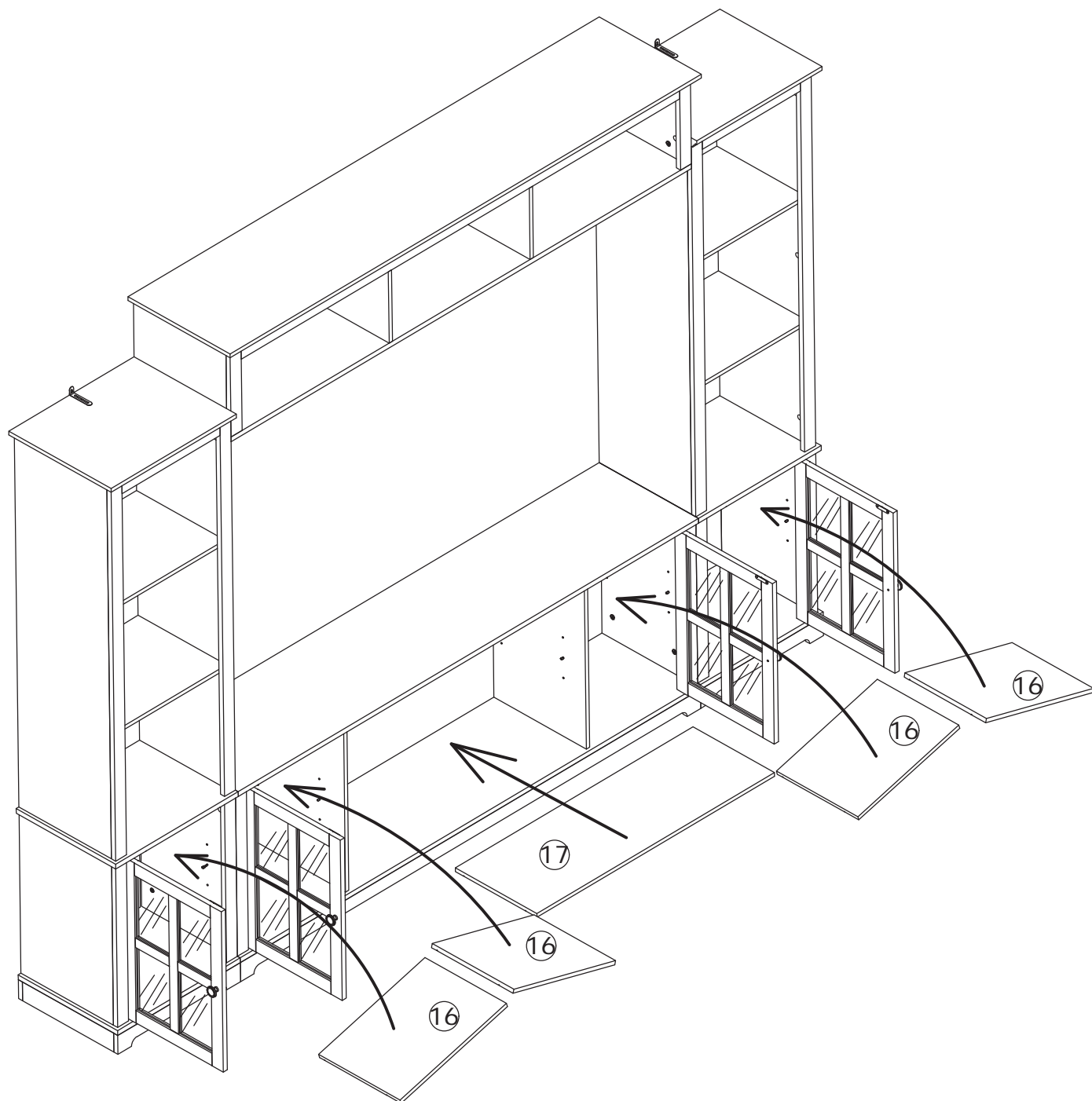


Fix them together using hardware pack(W,X) as shown.



58

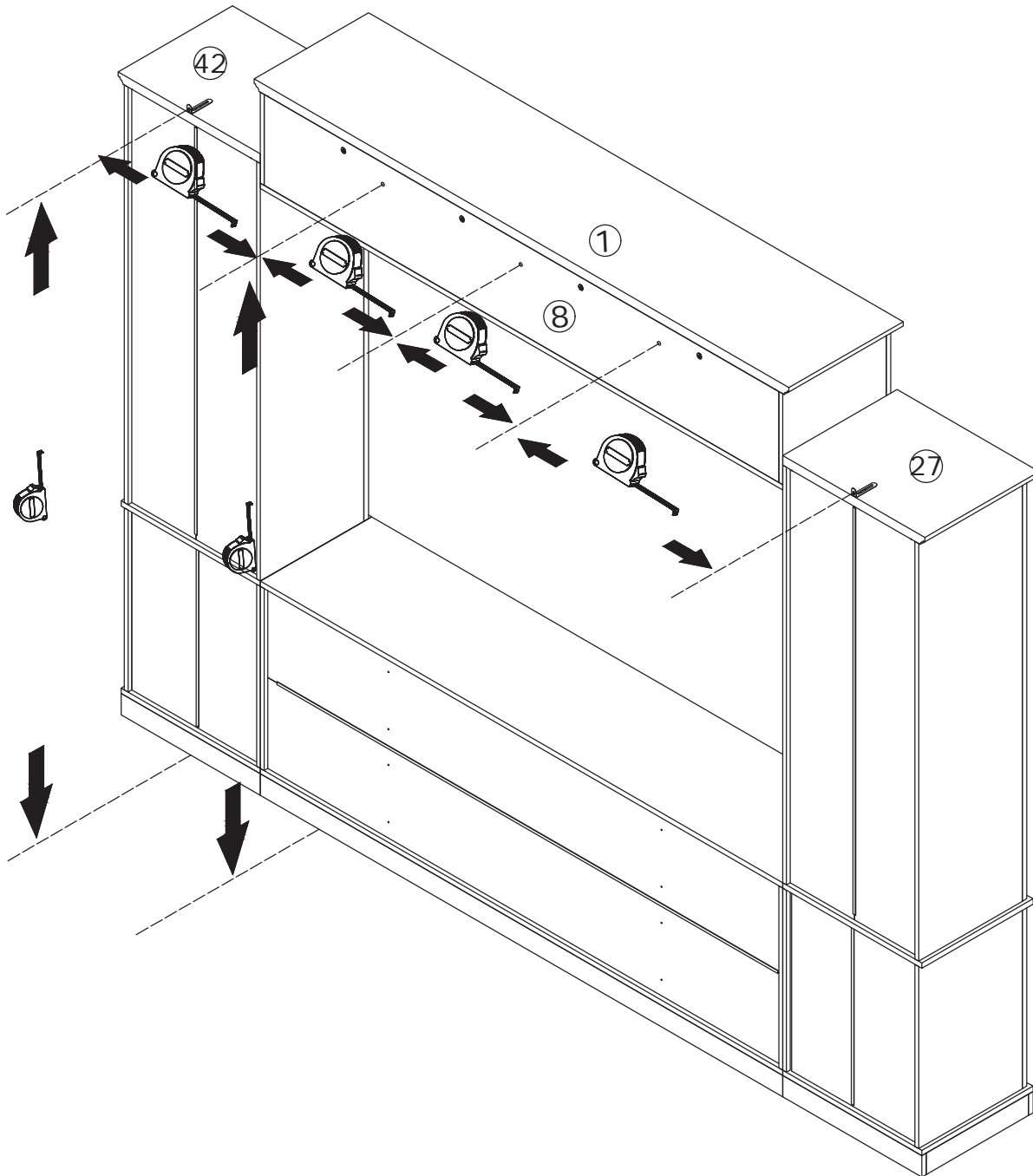
Place shelf 16 and 17 in.



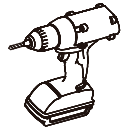
59



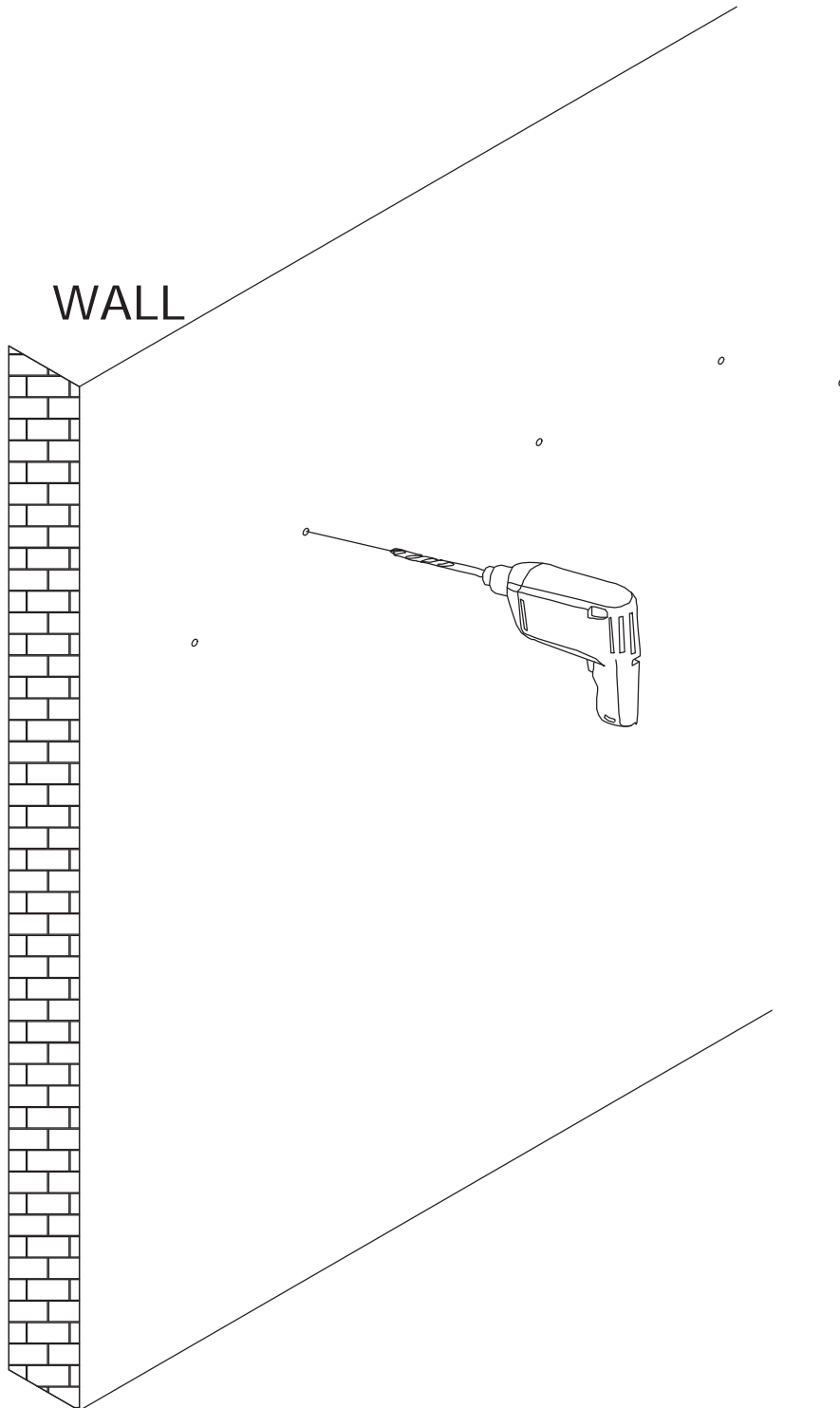
Please measure the distance between these holes and the distance from the hole center to the bottom.



60



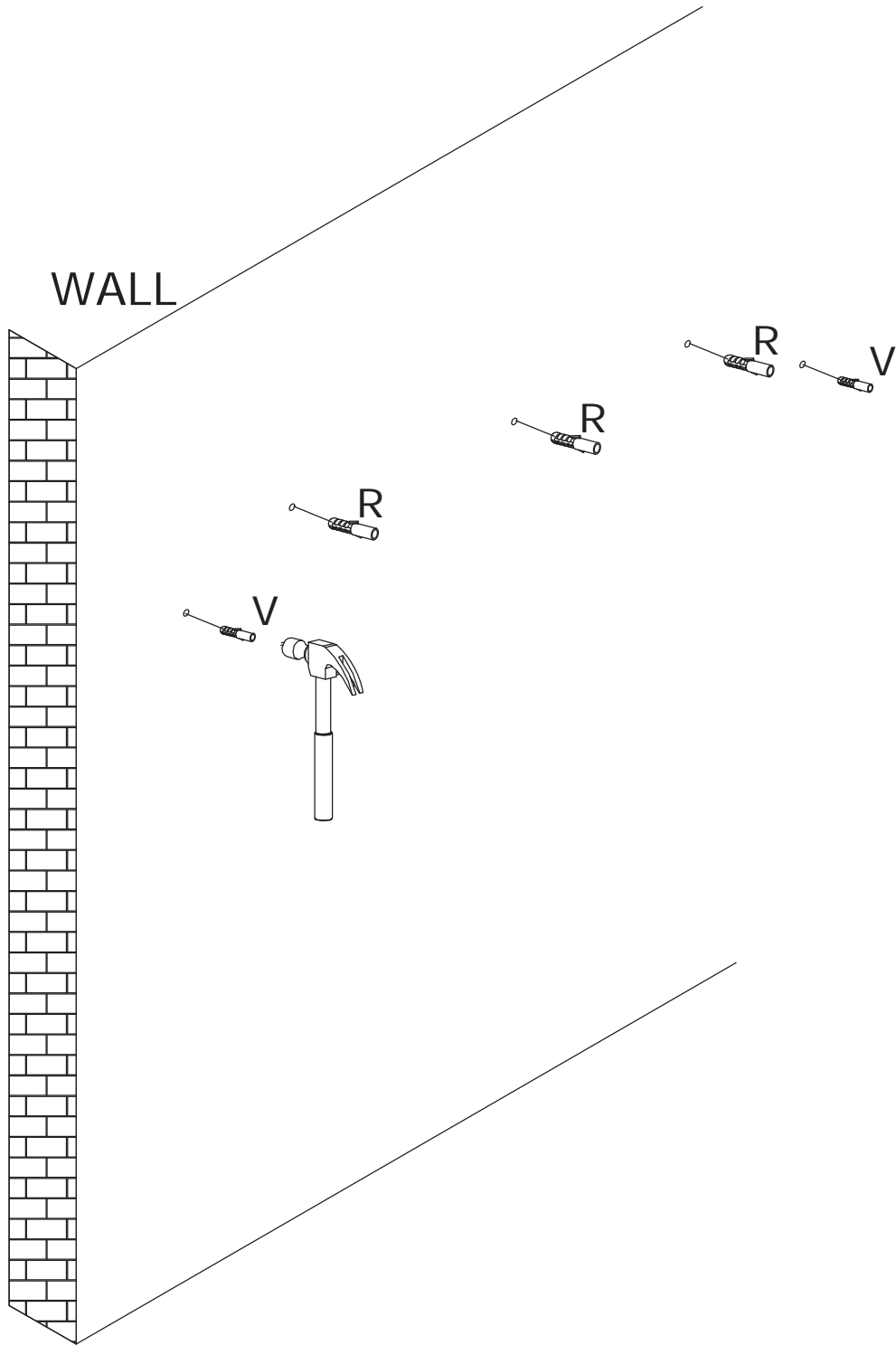
Drill holes on wall.



61



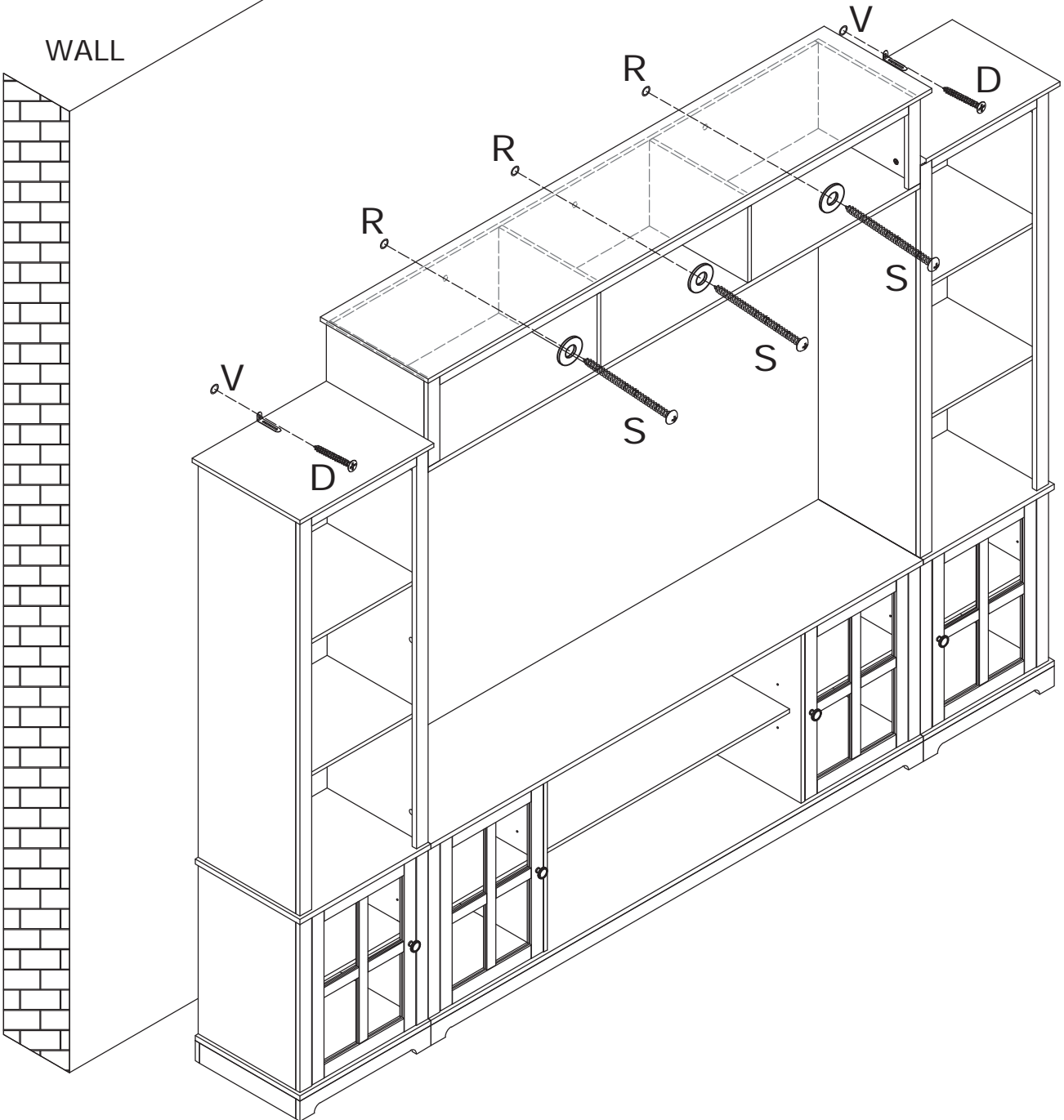
Knock part(R) and (V) into holes.



62



Fix the cabinet to part(R,V) on wall through hardware pack(S,D) as shown.



# WARRANTY

## WARRANTY CLAIMS

- There is a 30-day warranty for broken furniture or any other problems that do not work properly. The warranty will start from the date of purchase which must be verified by proof of purchase.
- Before making a claim, we may be able to answer your query, simply call us. Please leave your purchase order number, along with some details of the problem, if you want a replacement part. We will arrange within 48 hours. If there is out of stock, we will reply with a shipping date.
- The product must be used in accordance with the instructions provided. For health reasons.
- For other reasons, if the furniture needs to be returned, it must be cleaned and dried and operated within 30 days of receipt.

## Type of Warranty Claim

- Failure to follow the furniture instructions will invalidate the warranty. Attention please.
- Does not include damage during installation, but includes damage during transportation.

## Scope of responsibility

- Shall not bear any responsibility for misuse or user damage and / or loss of parts during the installation of furniture.
- After using, the damage and scratches of the furniture are not covered by the warranty.

## The Warranty Relates to All Bought in The Us and Covers The Following Areas

- Sheet parts: 1 month from the date of purchase.
- Electrical parts: 1 month from the date of purchase.

# RETURNS

## **CHANGED YOUR MIND AND NEED TO RETURN YOU ITEM?**

### **PLEASE FOLLOW THE BELOW INSTRUCTIONS:**

- If you have purchased and have simply changed your mind, follow the retailer's instructions for returns.

### **DEFECTIVE ITEMS**

- If your item is defective in any way, i.e. it doesn't work but you can't identify why, in the first instance, please call us.

### **DAMAGED ITEMS**

- If you receive an order with obvious shipping damage from the retailer, then we suggest the delivery is refused. If the delivery has been accepted and then shipping damage is found, please follow the specific instructions advised by the retailer.  
In all circumstances please save all packaging material and paperwork for the order. Please be aware that if you dispose of packaging material or attempt to return the merchandise without contacting the fulfiller, you jeopardise your chances of making a claim, and you may not receive a credit for the return.