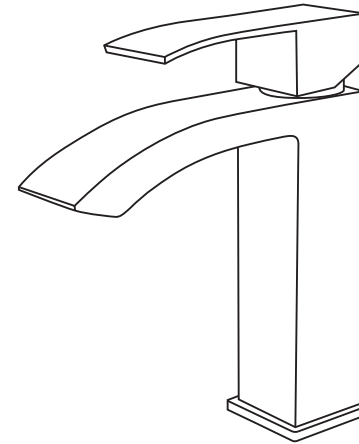


NO.	PART NAME
1	Washer
2	Shower
3	Flexible hose
4	Base
5	Screw
6	Lock nut
7	Gasket
8	Washer
9	O-ring
10	Body



SINGLE LEVER KITCHEN FAUCET

RECOMMENDED TOOLS



Screwdriver



Channel Locks



Goggles



Adjustable Wrench



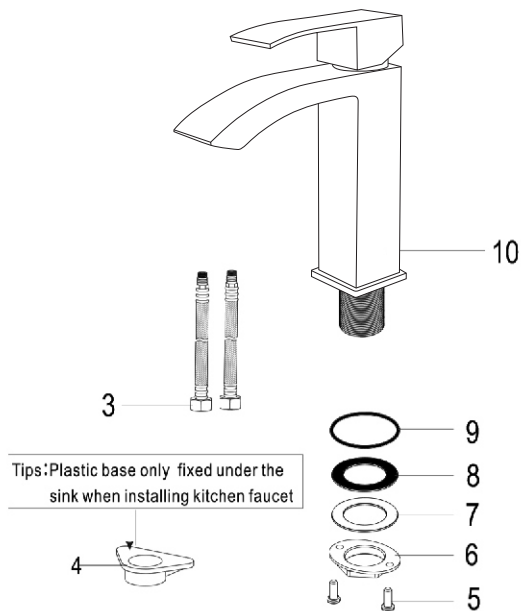
Teflon tape



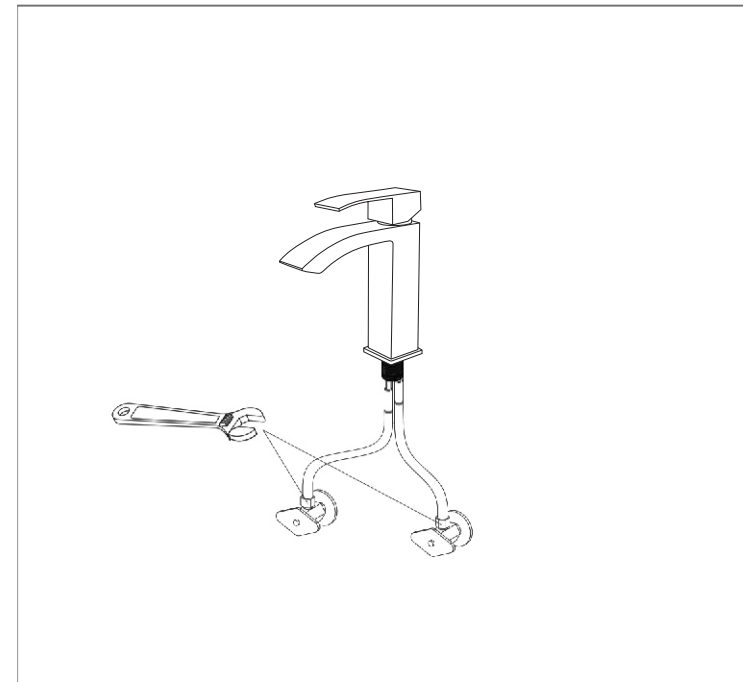
Allen key

Attention:
for easy installation, you will need:

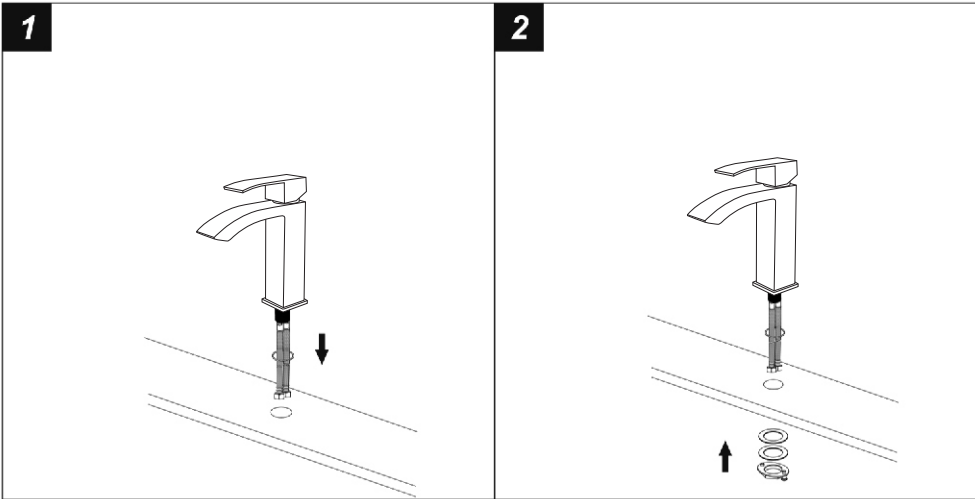
1. To read all the installation instruction completely before beginning.
2. To read all the warning, attention and maintenance information.
3. To purchase the proper supply lines.



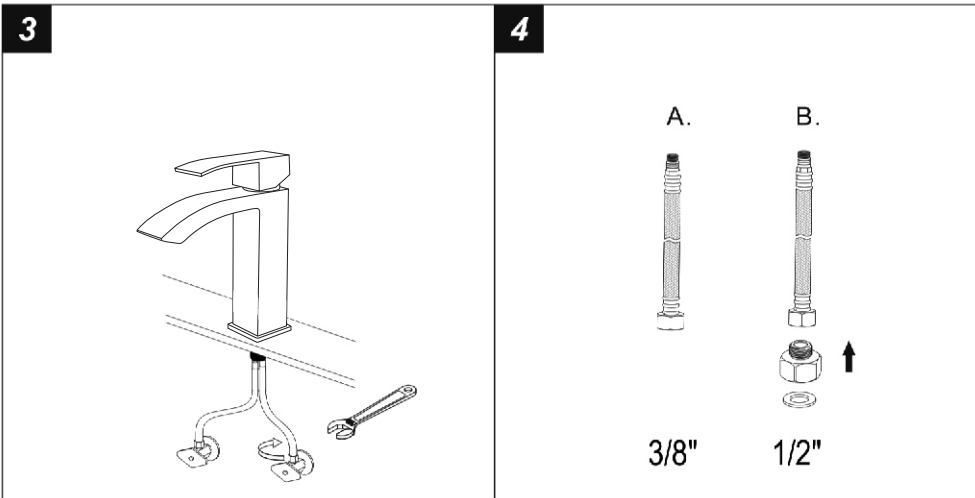
The tools might be applied to the following places:



Step 1 Faucet installation



1. Position the faucet, o-ring on the installation surface.
2. Adjust the position of the faucet and secure it with the fixing kit as photo.

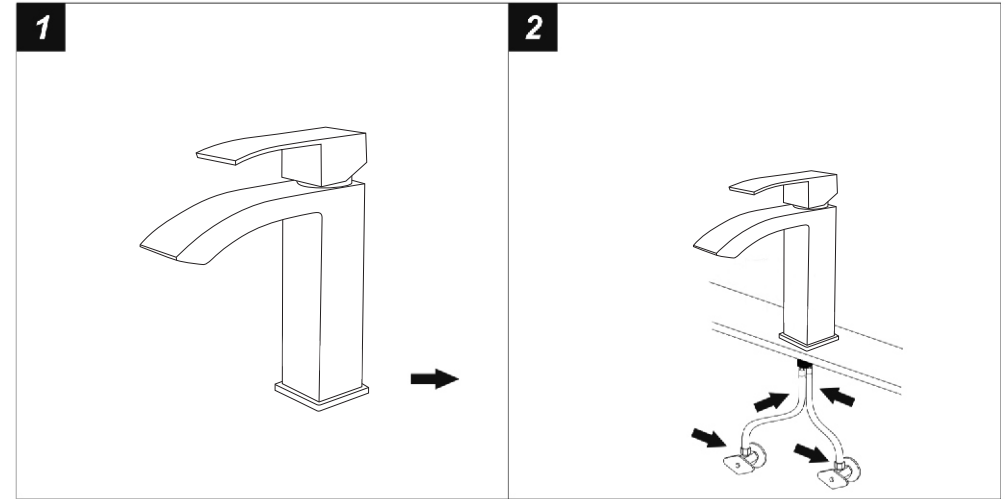


3. Connect the flexible hoses to water supply valve, and tighten it with adjustable wrench. **DON'T OVER TIGHTEN!**
Caution: make sure connect the hot and cold flexible hose to supply valves correctly.

! Warning: The supply valves are not included, please purchase them in plumbshop.

4. (A) Flexible hose(3/8") (B) Flexible hose(3/8") + Connector(3/8"-1/2") + Washer = Flexible hose(1/2")

Step 2 Checking and testing



1. Remove the shower by hand. Turn the faucet handle all the way on, turn on hot and cold water supply and flush water lines for one minute. Reinstall shower by hand.
2. Check all connections at arrows for leaks, re-tighten it if necessary.



BUT DON'T OVERTIGHTEN

Step 3 Cleaning and care

Daily cleaning and care are required in order to keep the product shining and properly working.

- 1 Clean it with water and dry it with soft cloth.
- 2 Clean the product with gentle liquid or glass cleaner.
- 3 Don't use acid cleaner.
- 4 Don't clean with abrasive material, abrasive paper or knife.

Tips :

please **DO NOT** disassemble any part from product when open the box, otherwise it may cause functional problem when using.

If you receive the physical product and there are subtleties is not consistent with the picture, because we do upgrade improved products to make the products more beautiful and lasting longer.