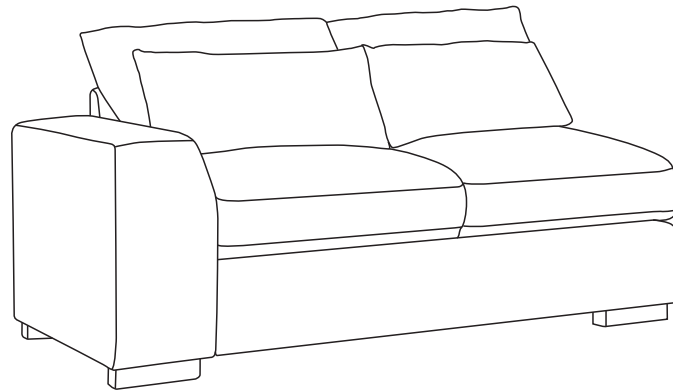
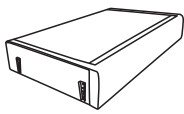
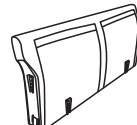
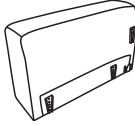



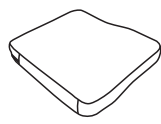


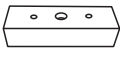

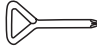
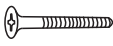
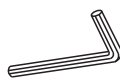
ASSEMBLY INSTRUCTION



PART LIST

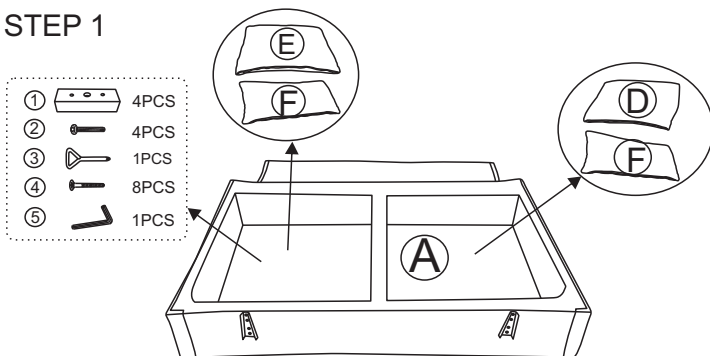
 <p>A X1</p>	 <p>B X1</p>	 <p>C X1</p>	 <p>D X1</p>	 <p>E X1</p>
 <p>F X2</p>	 <p>G X2</p>			

HARDWARE LIST

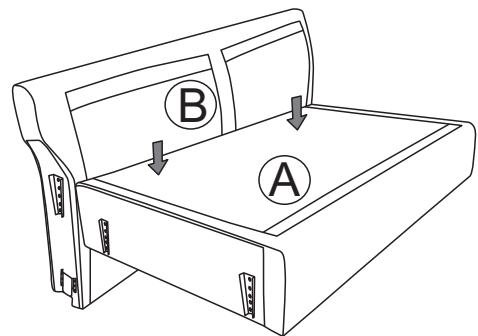
 <p>1 X4</p>	 <p>2 X4</p>	 <p>3 X1</p>	 <p>4 X8</p>	 <p>5 X1</p>
---	---	---	---	---

ASSEMBLY FOLLOW BELOW STEPS

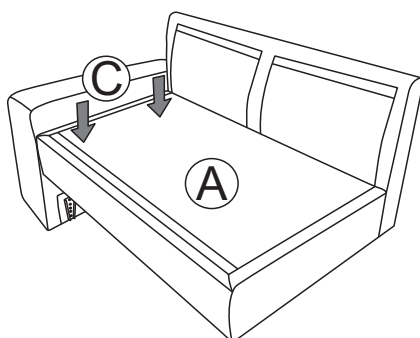
STEP 1



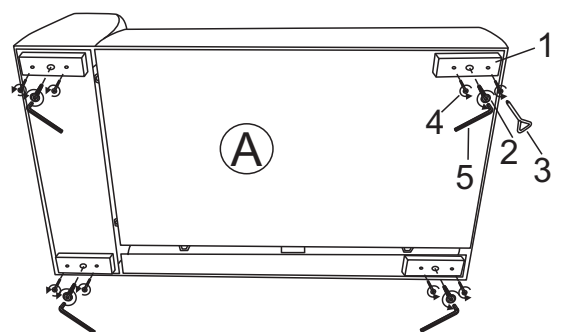
STEP 2



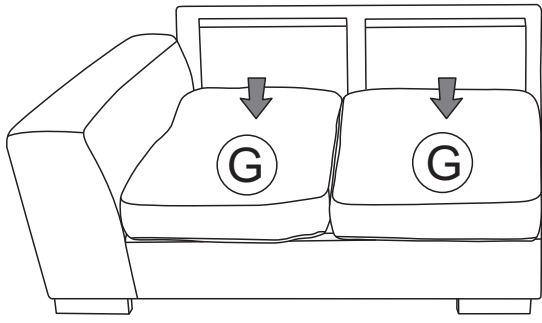
STEP 3



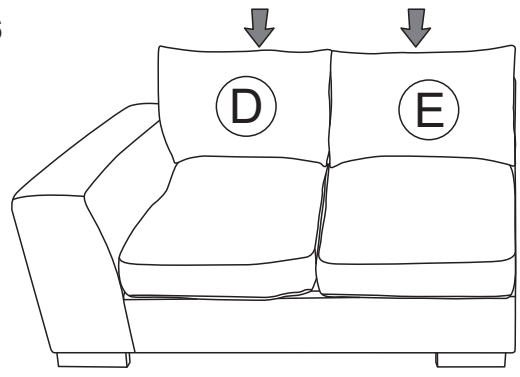
STEP 4



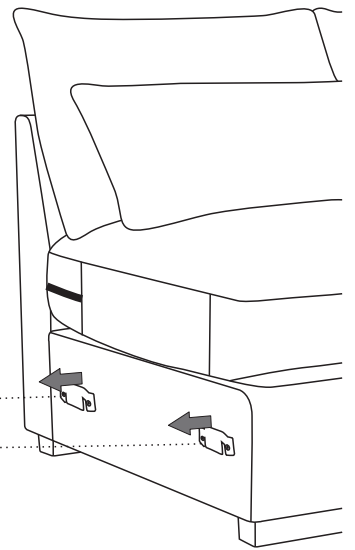
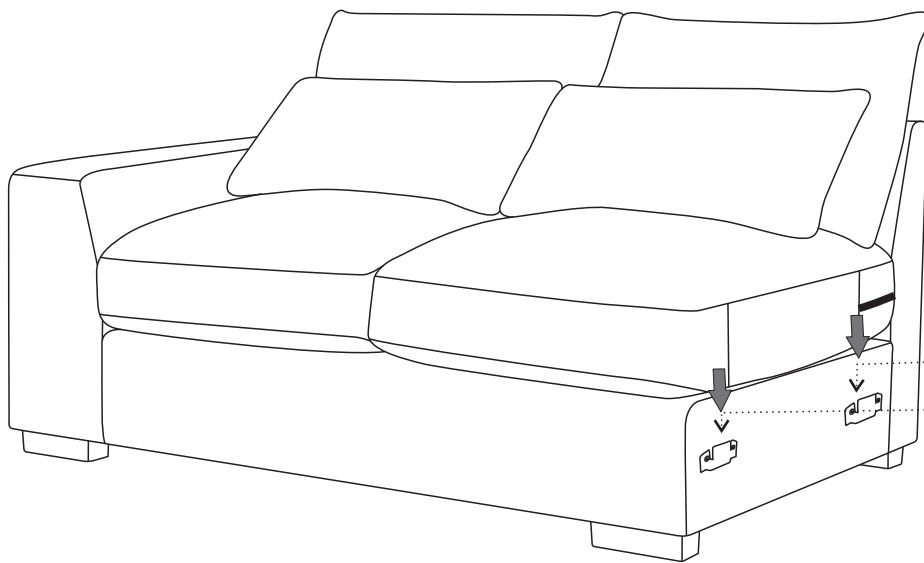
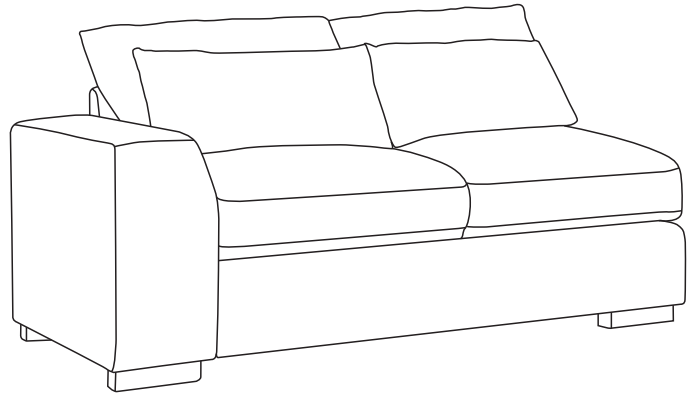
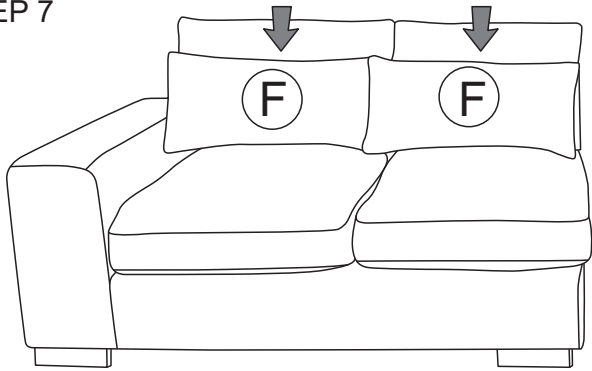
STEP 5



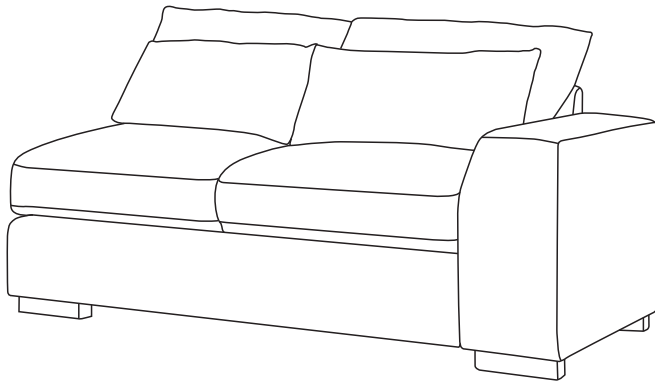
STEP 6



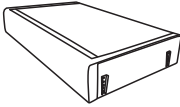
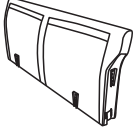
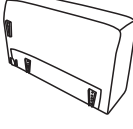



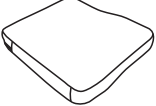
STEP 7



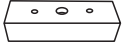




ASSEMBLY INSTRUCTION



PART LIST






 A X1	 B X1	 C X1	 D X1	 E X1
 F X2	 G X2			

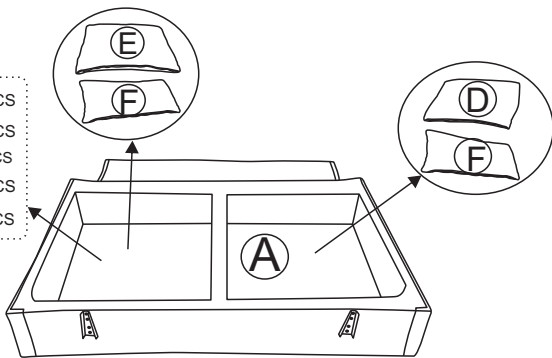
HARDWARE LIST

 1 X4	 2 X4	 3 X1	 4 X8	 5 X1
--	--	--	--	--

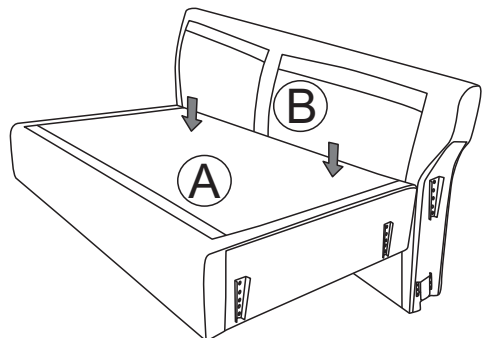
ASSEMBLY FOLLOW BELOW STEPS

STEP 1

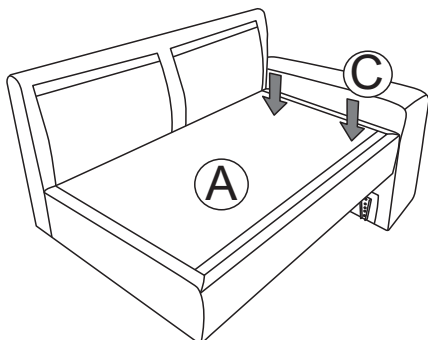
- ①  4PCS
- ②  4PCS
- ③  1PCS
- ④  8PCS
- ⑤  1PCS



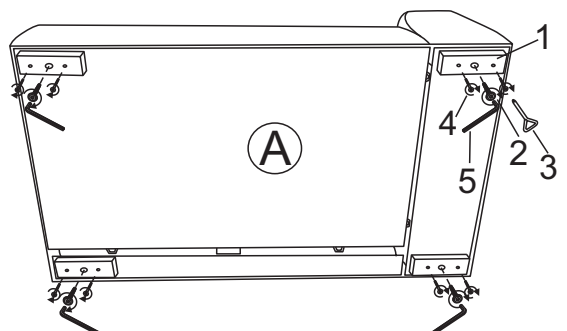
STEP 2



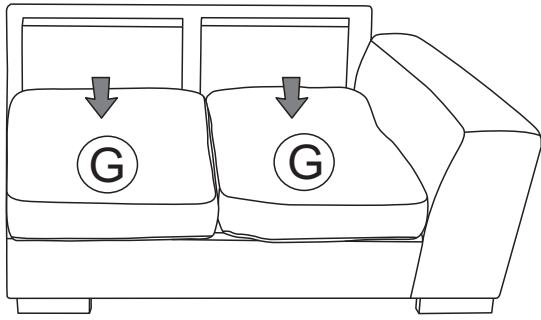
STEP 3



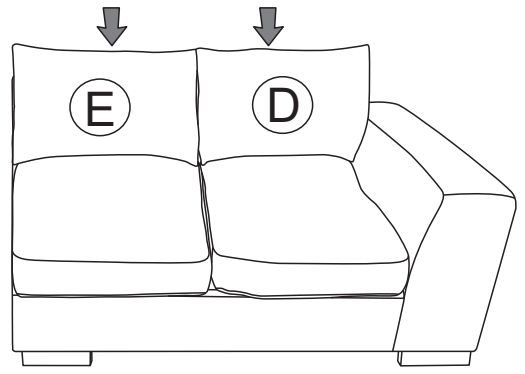
STEP 4



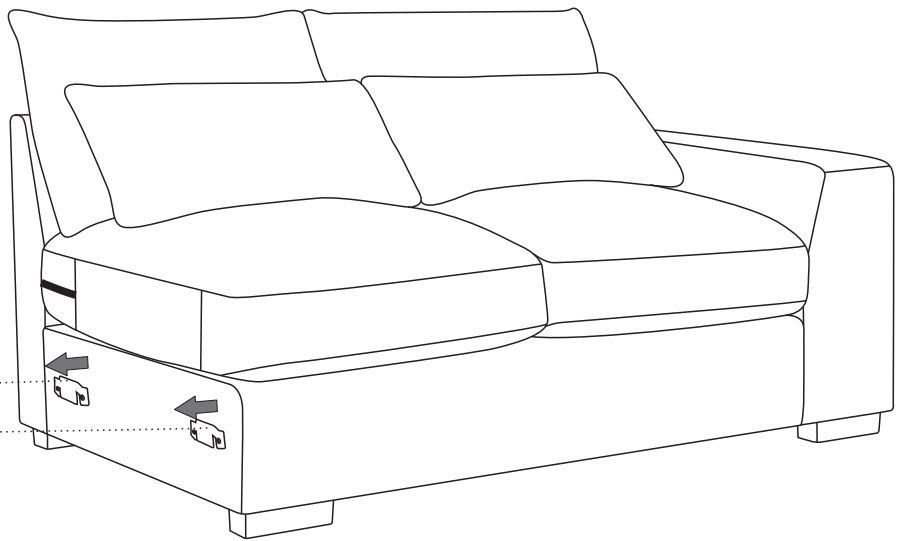
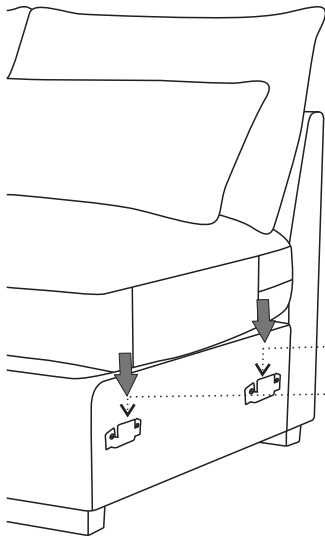
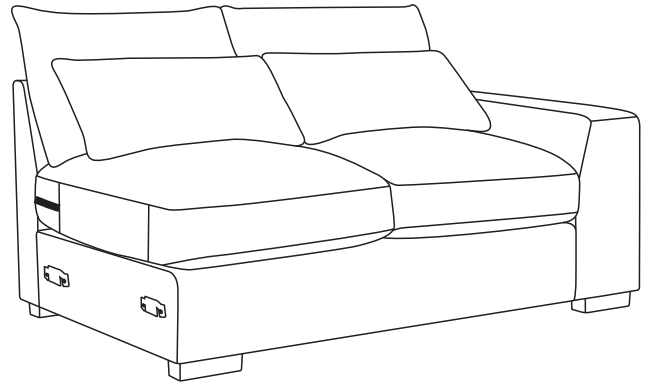
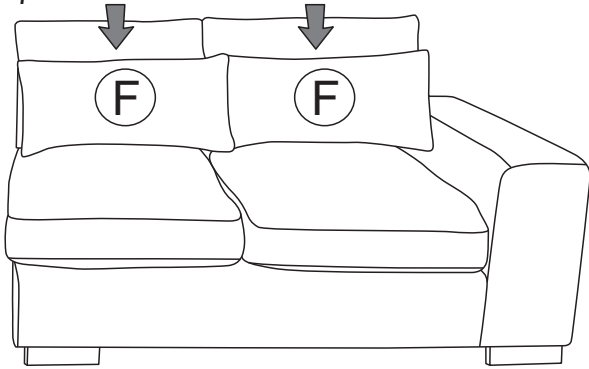
STEP 5



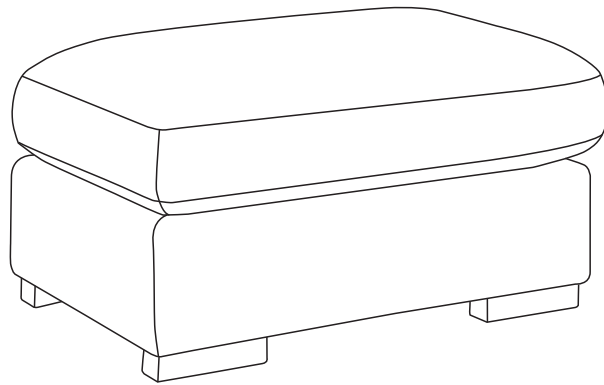
STEP 6



STEP 7



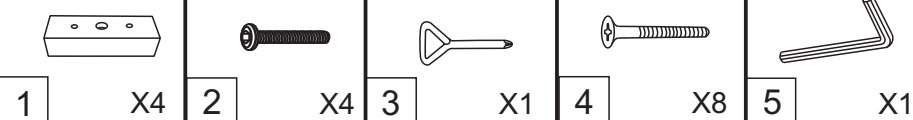
ASSEMBLY INSTRUCTION



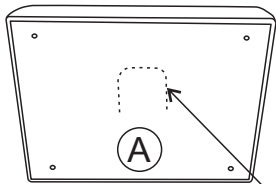
PART LIST








HARDWARE LIST

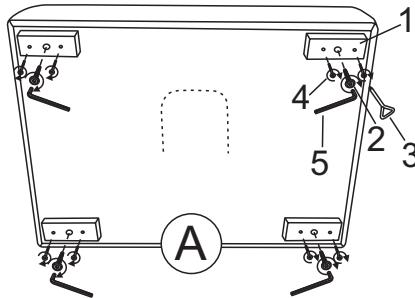


ASSEMBLY FOLLOW BELOW STEPS

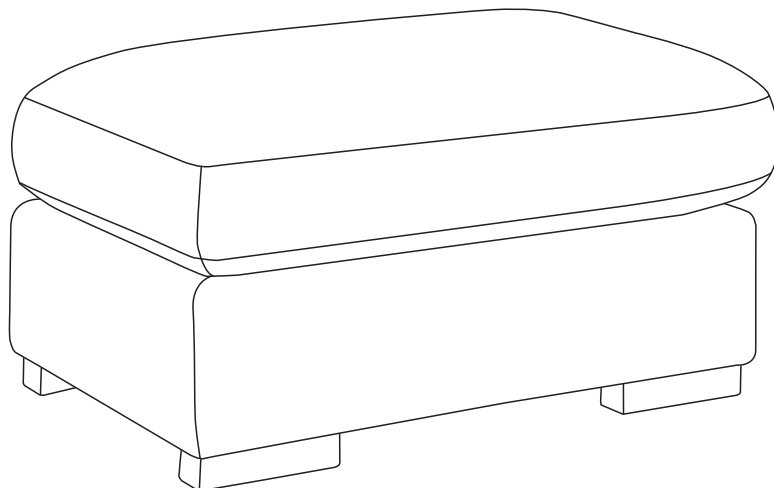
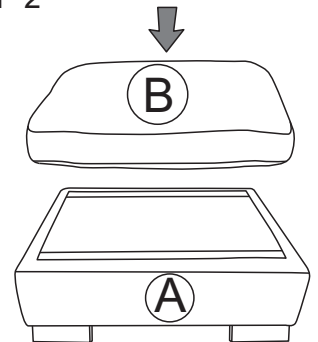


- ①  4PCS
- ②  4PCS
- ③  1PCS
- ④  8PCS
- ⑤  1PCS

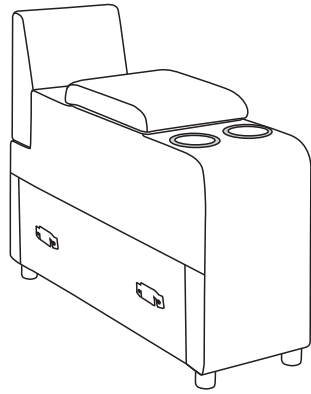
STEP 1



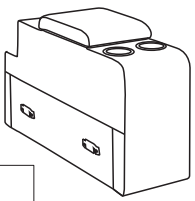
STEP 2



ASSEMBLY INSTRUCTION

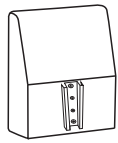


PARTS LIST



A

X1



B

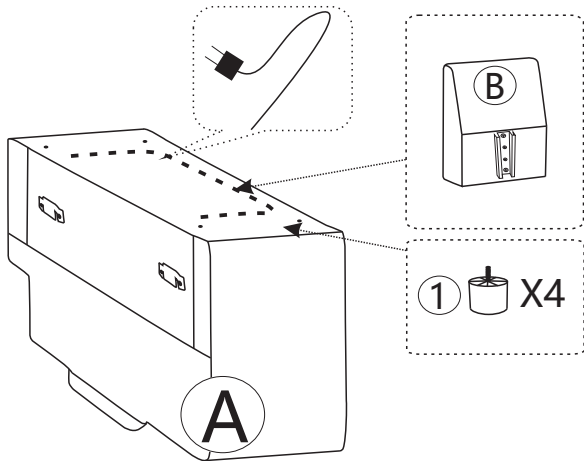
X1

HARDWARE LIST

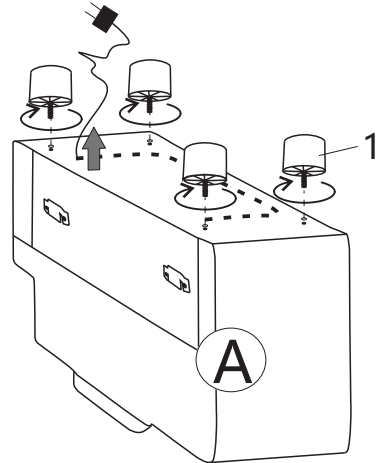


1

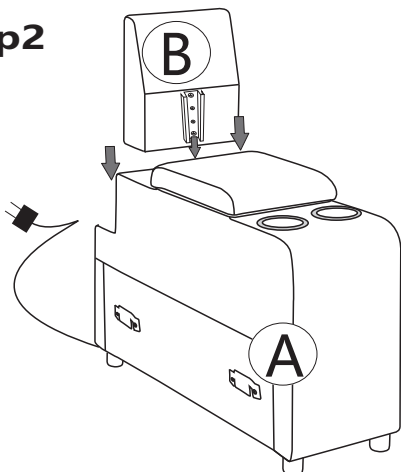
X4



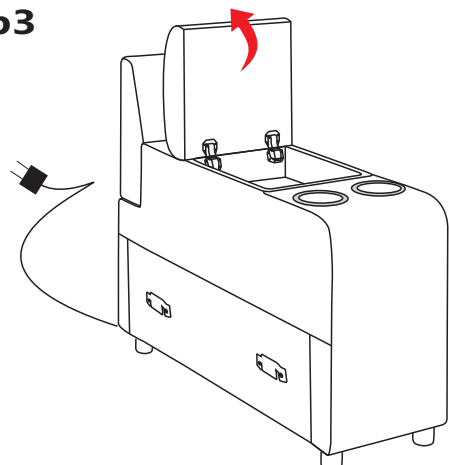
Step1



Step2



Step3



Step4

