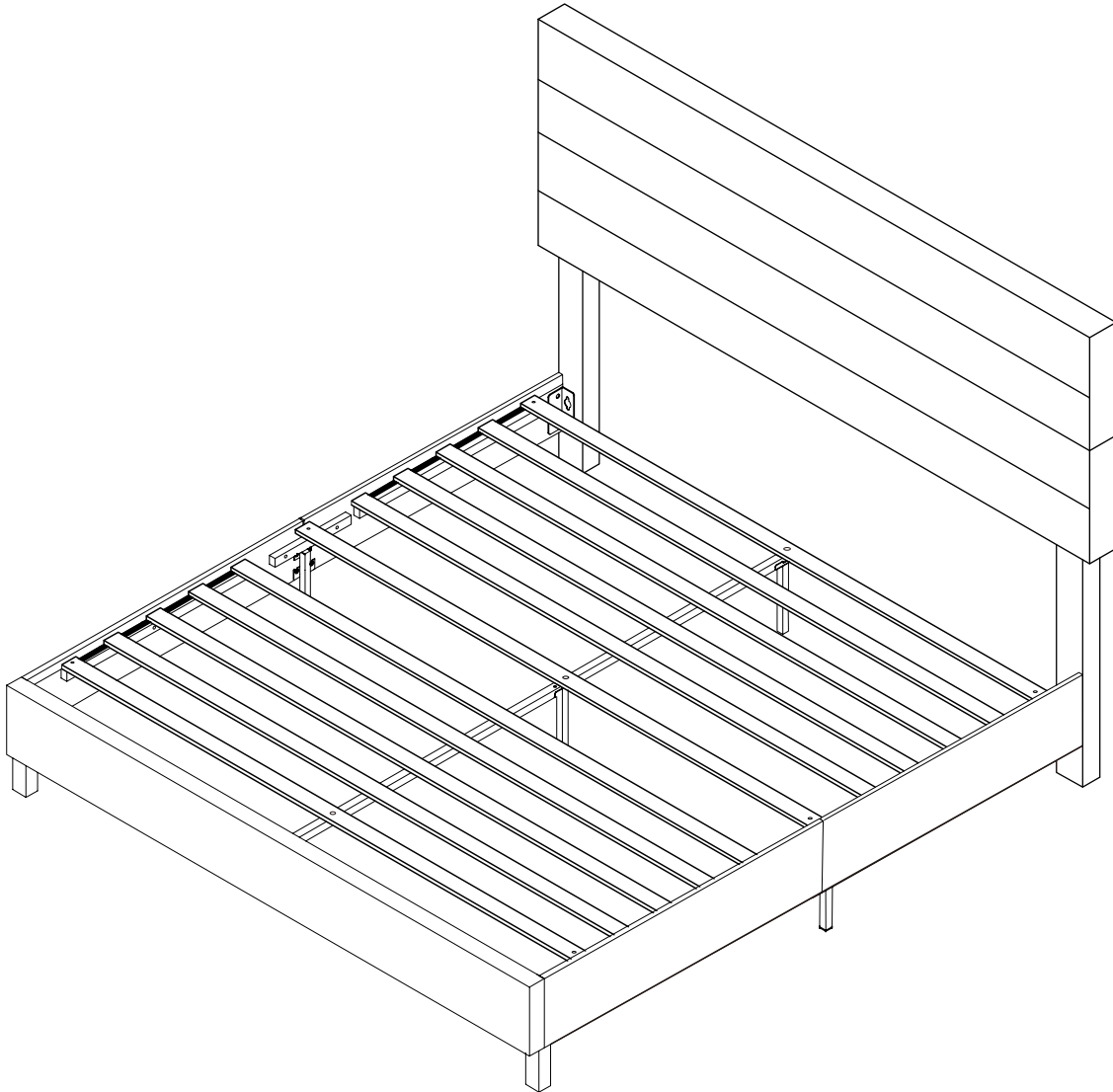


# ( Queen ) ASSEMBLY INSTRUCTIONS

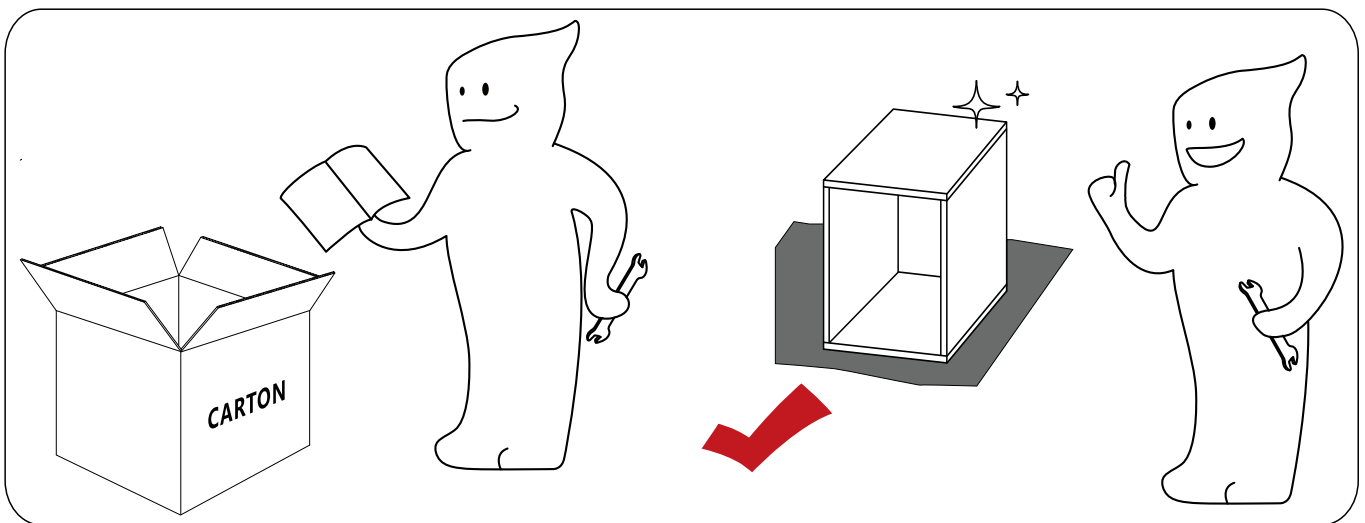
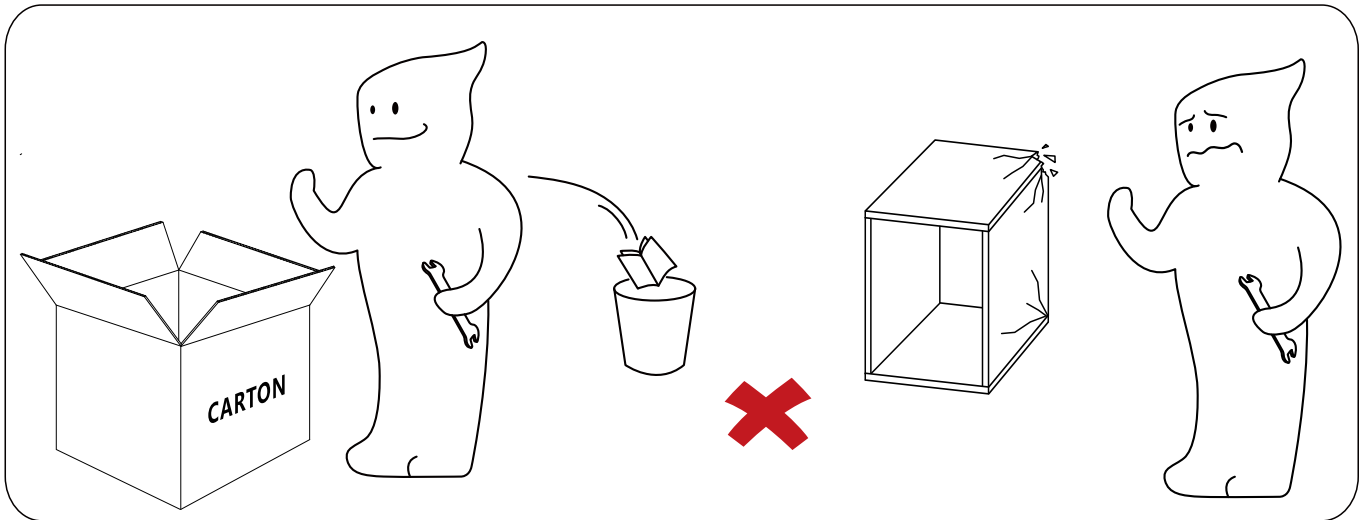


Please check that you have all the parts listed before you start assembling,if you do find that something is missing,do not continue assembly,please contact us immediately.

**NOTE:**Please do not completely tighten all the hardware until the entire assembly is complete!

# ! IMPORTANT

Please follow the instruction manuals and use a pad to protect the product during your assembly.



**Note:**

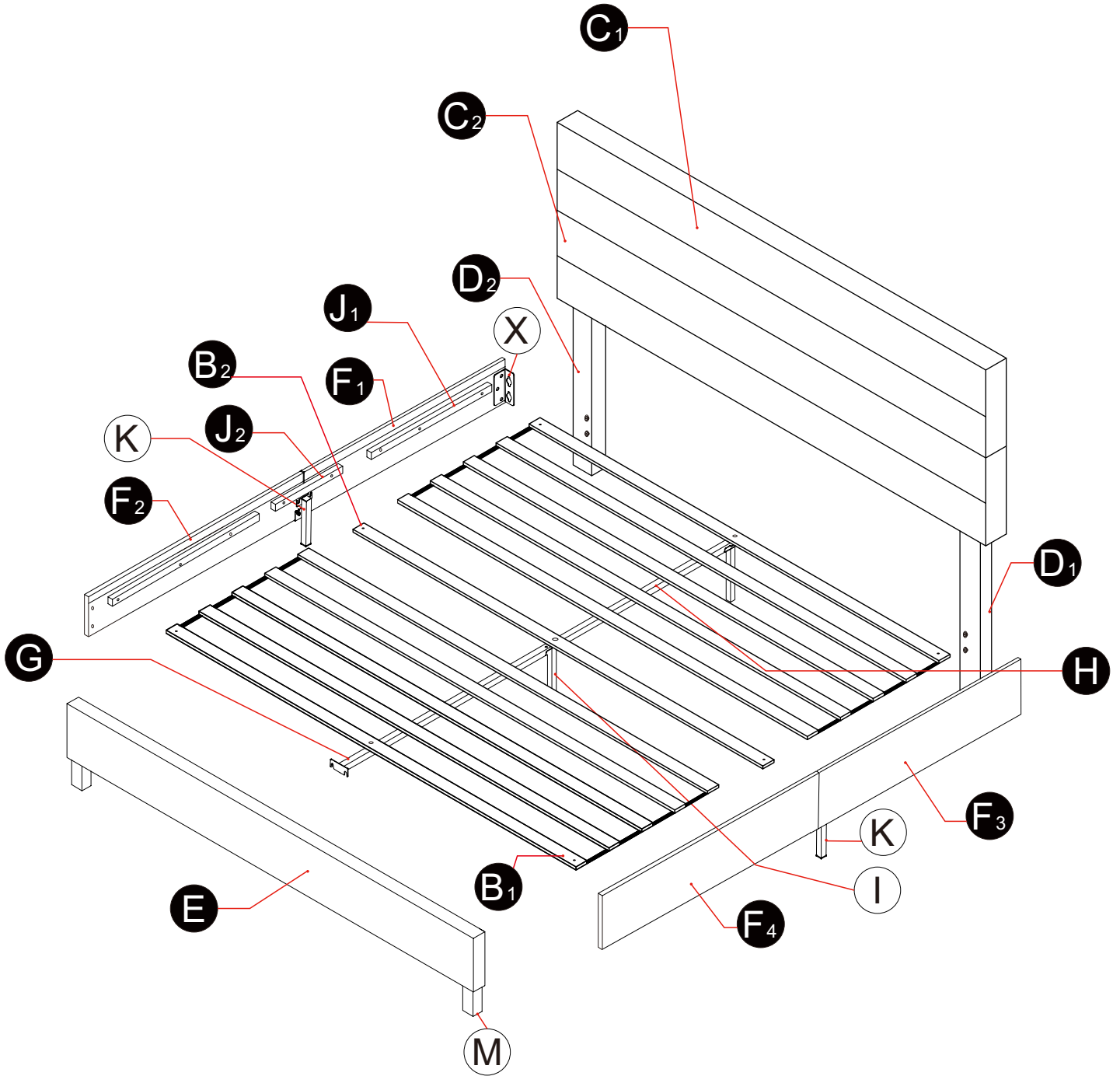
1. Should be assembled on flat ground to keep balance.
2. Before completing the installation, do not tighten the screws.



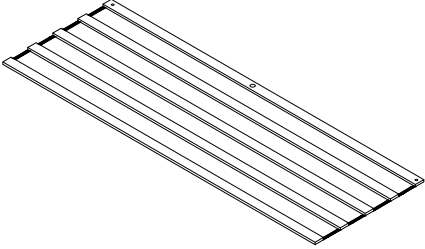
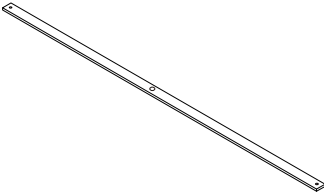
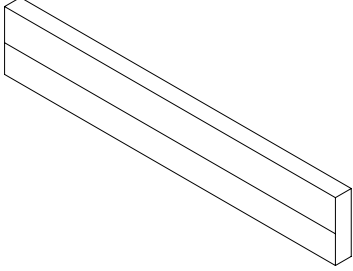
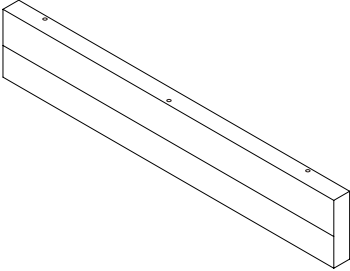


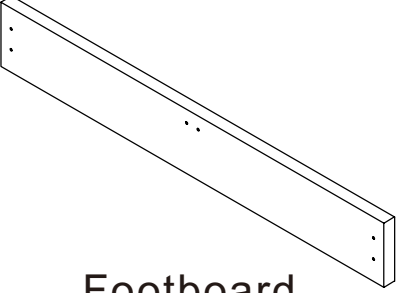
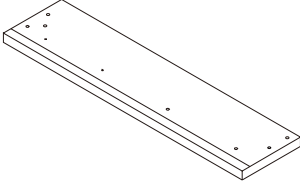
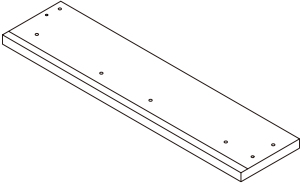
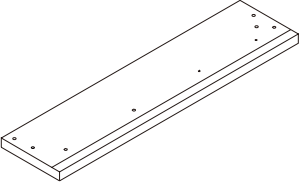
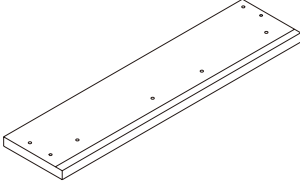
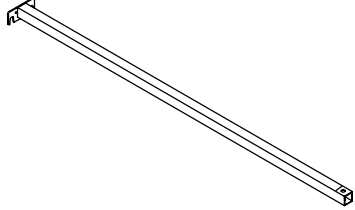
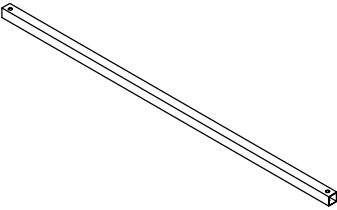
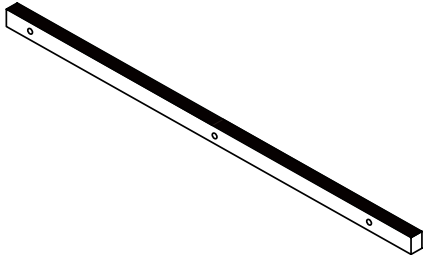
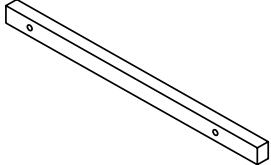
For easier and better assembly, **2** or more adults are required.

# Attention:

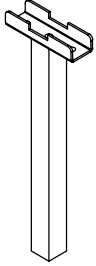
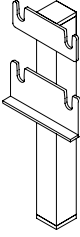
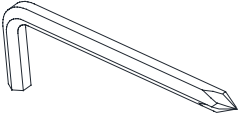

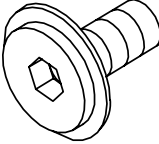
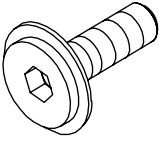
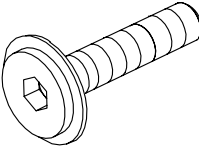
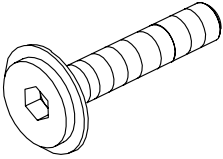


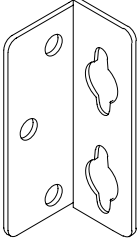
All the screws in, and then tighten them.



# BED FRAME PARTS LIST

|   |   |  |
|---|---|--|
| <b>B<sub>1</sub></b><br><br>2PCS<br>Slat              | <b>B<sub>2</sub></b><br><br>1PC<br>Slat              | <b>C<sub>1</sub></b><br><br>1PC<br>Top headboard    |
| <b>C<sub>2</sub></b><br><br>1PC<br>Top headboard     | <b>D<sub>1</sub></b><br><br>1PC<br>Right Leg         | <b>D<sub>2</sub></b><br><br>1PC<br>Left Leg         |
| <b>E</b><br><br>1PC<br>Footboard                   | <b>F<sub>1</sub></b><br><br>1PC<br>Left side rail  | <b>F<sub>2</sub></b><br><br>1PC<br>Left side rail |
| <b>F<sub>3</sub></b><br><br>1PC<br>Right side rail | <b>F<sub>4</sub></b><br><br>1PC<br>Right side rail | <b>G</b><br><br>1PC<br>Middle support bar         |
| <b>H</b><br><br>1PC<br>Middle support bar          | <b>J<sub>1</sub></b><br><br>4PCS<br>side bar      | <b>J<sub>2</sub></b><br><br>2PCS<br>side bar      |

# FITTING PART LIST

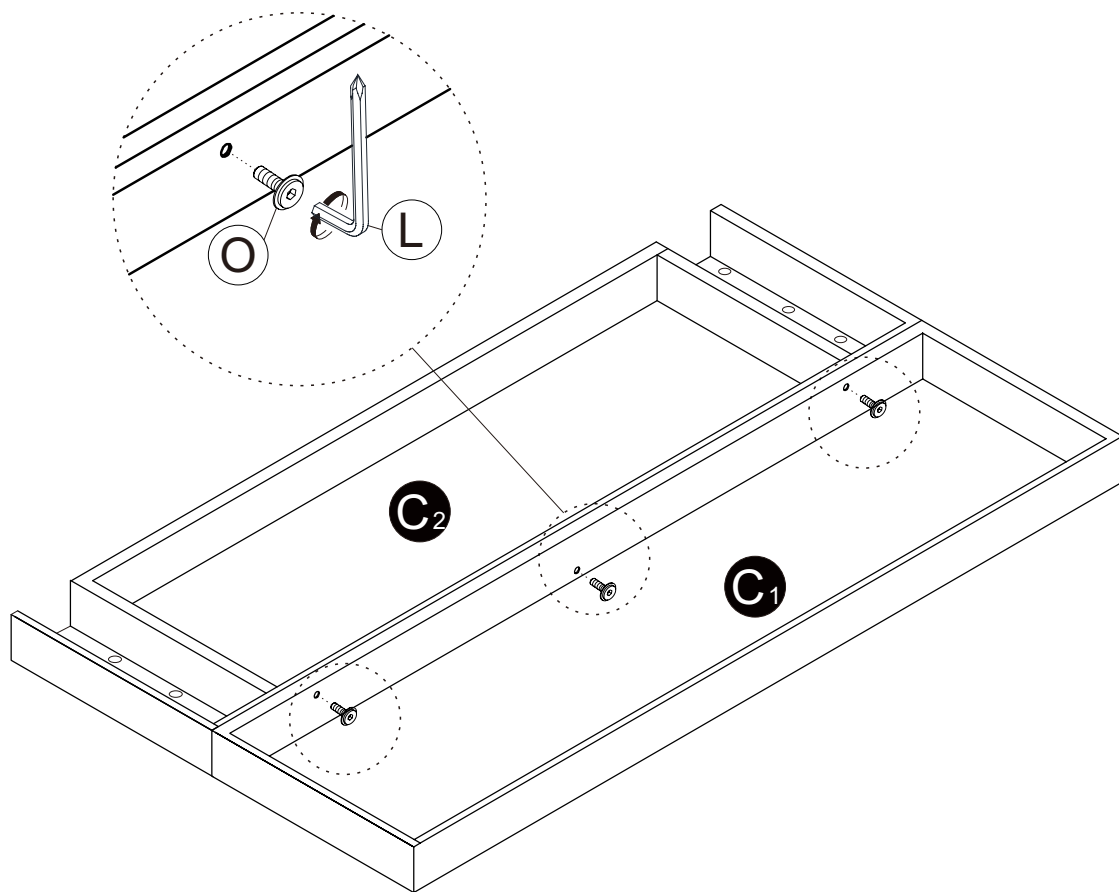
|          |   |          |   |          |  |          |  |
|----------|---|----------|---|----------|--|----------|--|
| <b>I</b> | 2PCS<br><br><b>Support leg</b> | <b>K</b> | 2PCS<br><br><b>Support leg</b> | <b>L</b> | 1PC<br><br><b>M6</b>           | <b>M</b> | 2PCS<br><br><b>Leg</b>    |
| <b>N</b> | 20PCS<br><br><b>M8*18</b>      | <b>O</b> | 4PCS<br><br><b>M8*35</b>       | <b>P</b> | 22PCS<br><br><b>M8*50</b>      | <b>S</b> | 10PCS<br><br><b>M8*60</b> |
| <b>T</b> | 6PCS<br><br><b>M4*35</b>     | <b>U</b> | 6PCS<br><br><b>M6*18*1.2</b> | <b>X</b> | 2PCS<br><br><b>Connector</b> |          |  |

# step1

0



3PCS

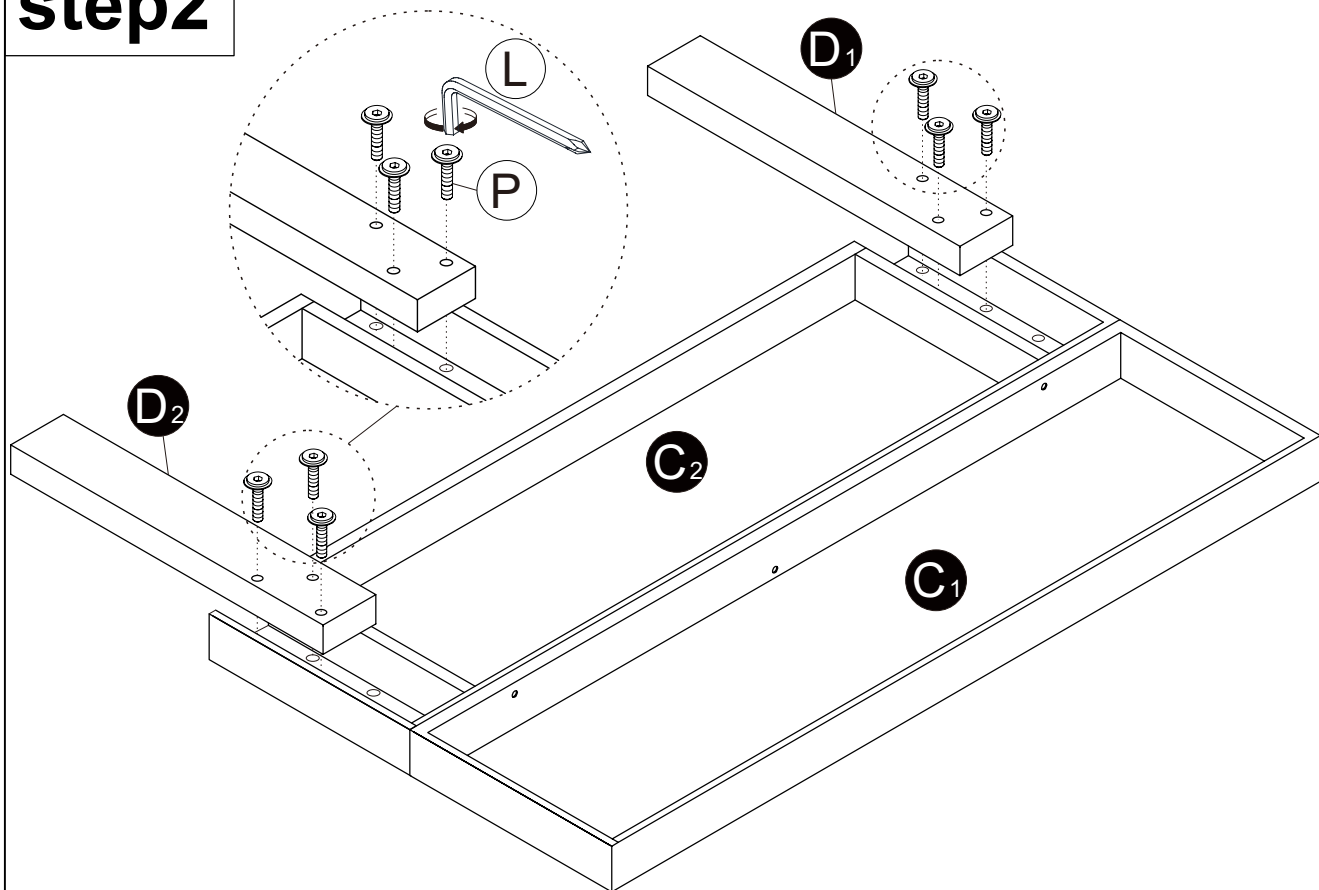


# step2

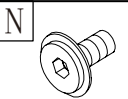
P



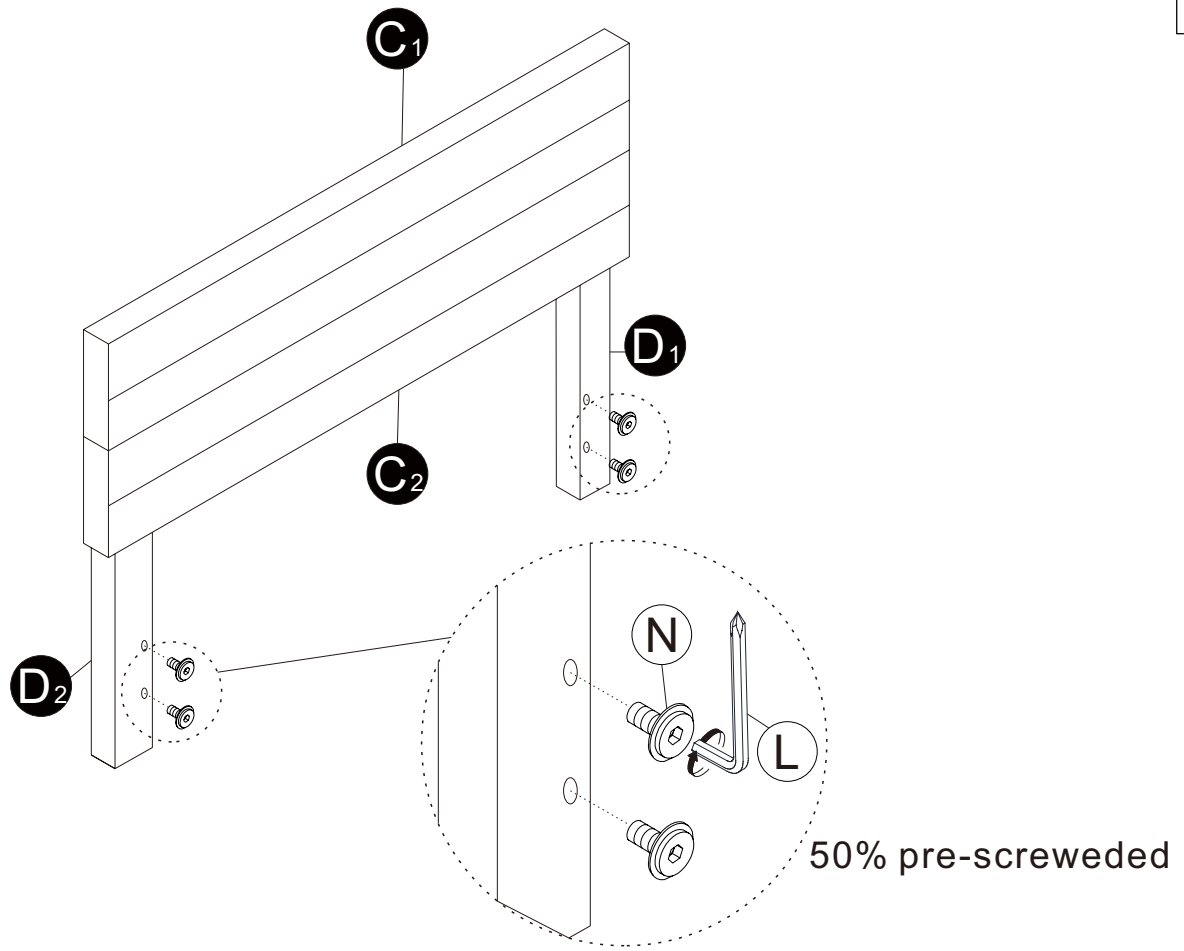
6PCS



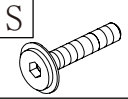
# step3



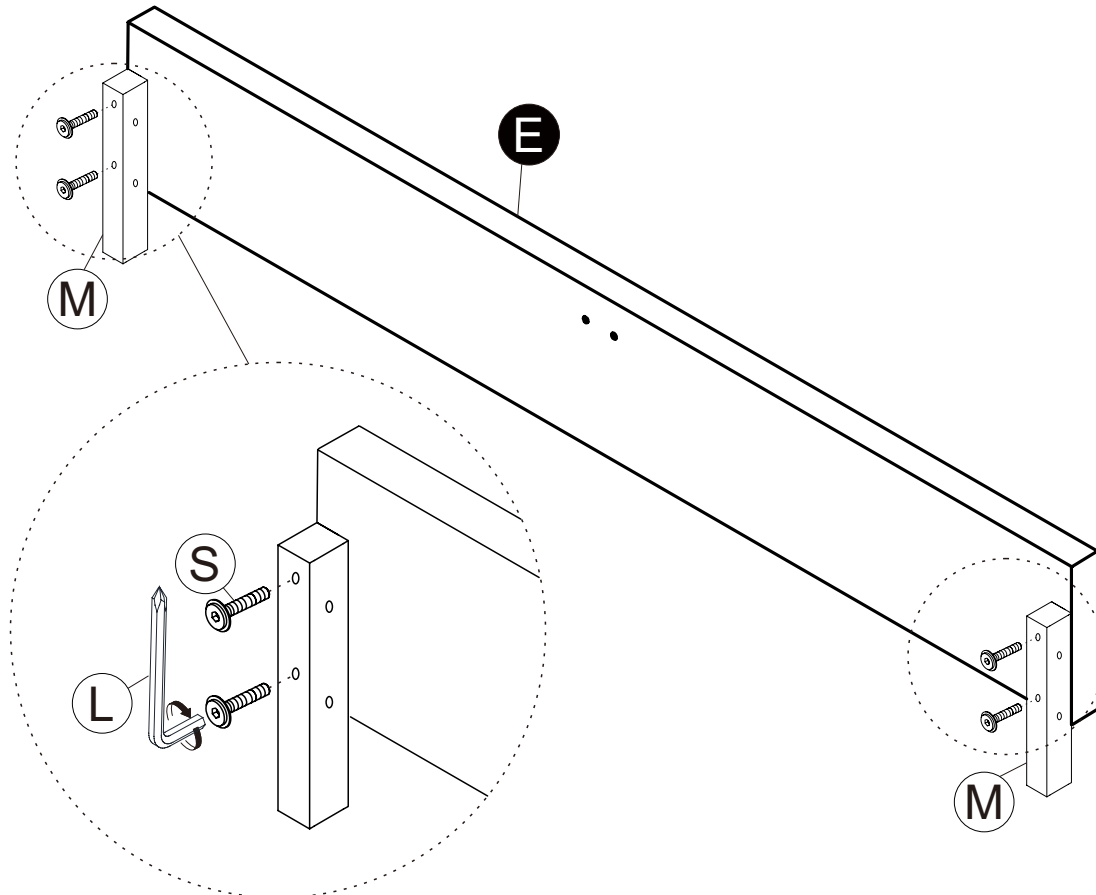
4PCS



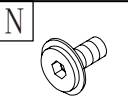
# step4



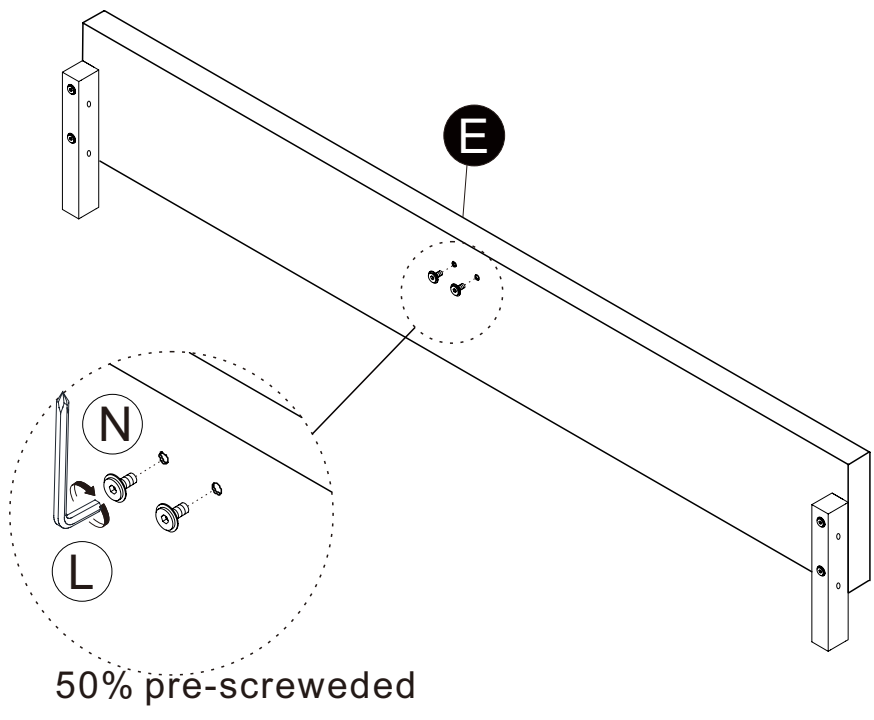
4PCS



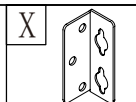
# step5



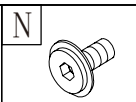
2PCS



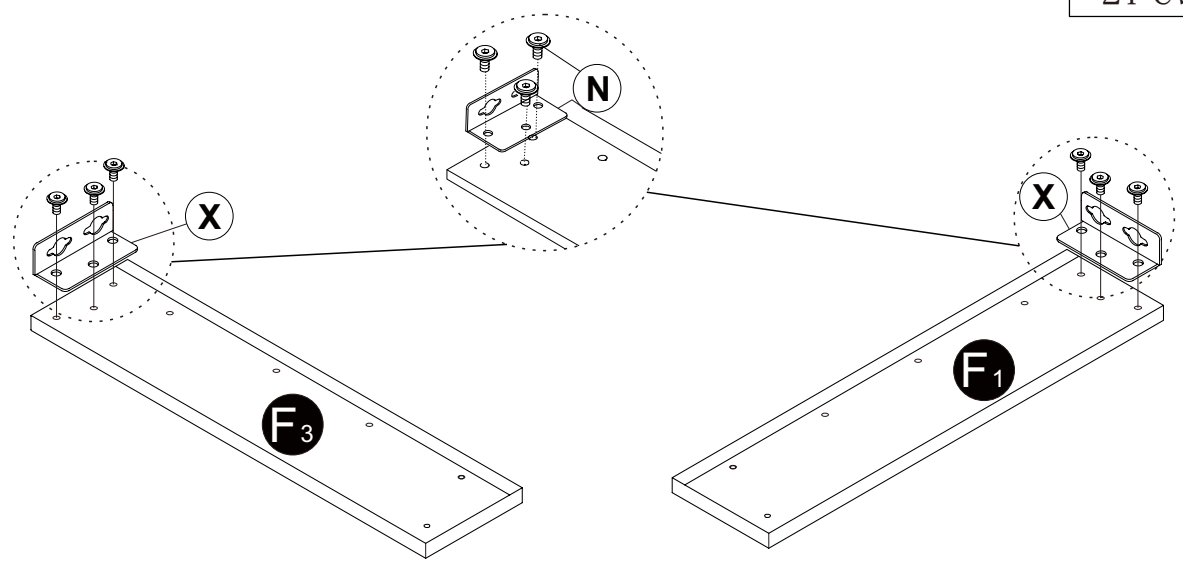
# step6



2PCS



6PCS

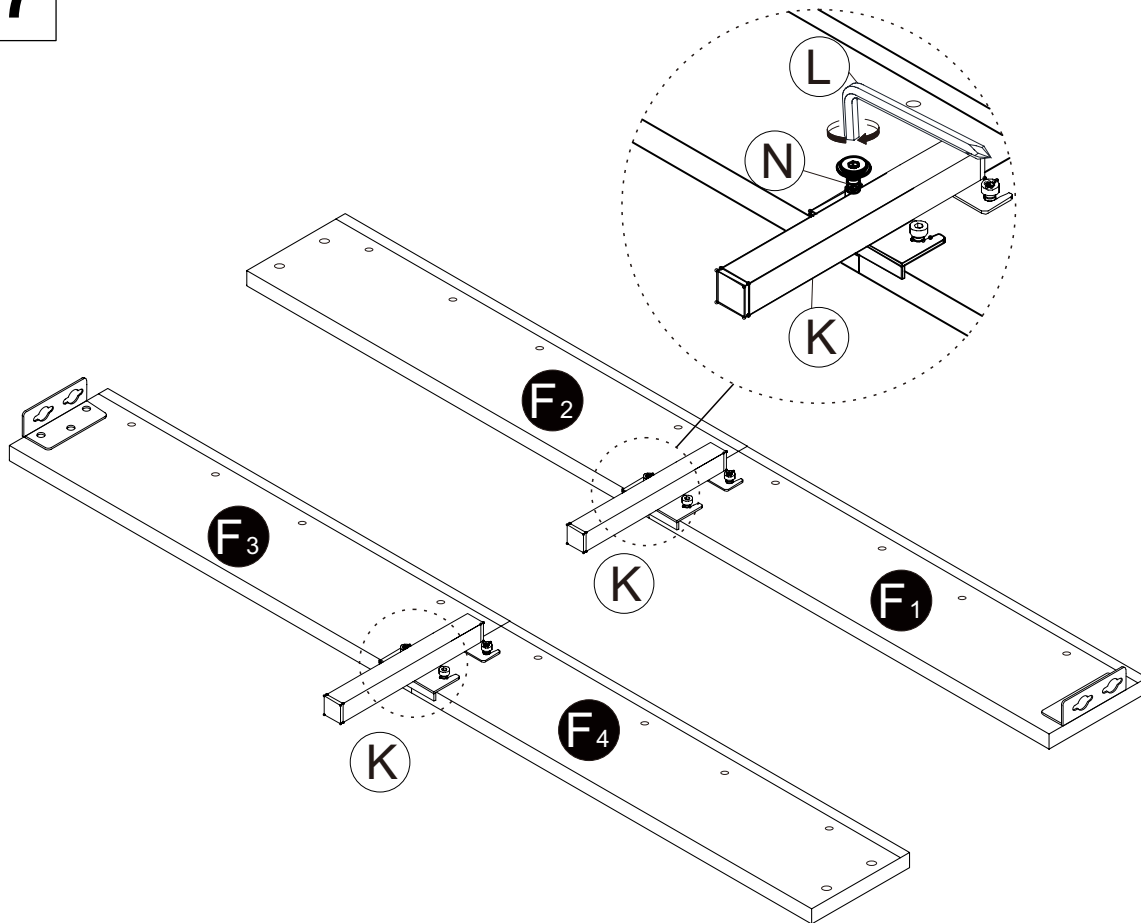


# step7

N



8PCS

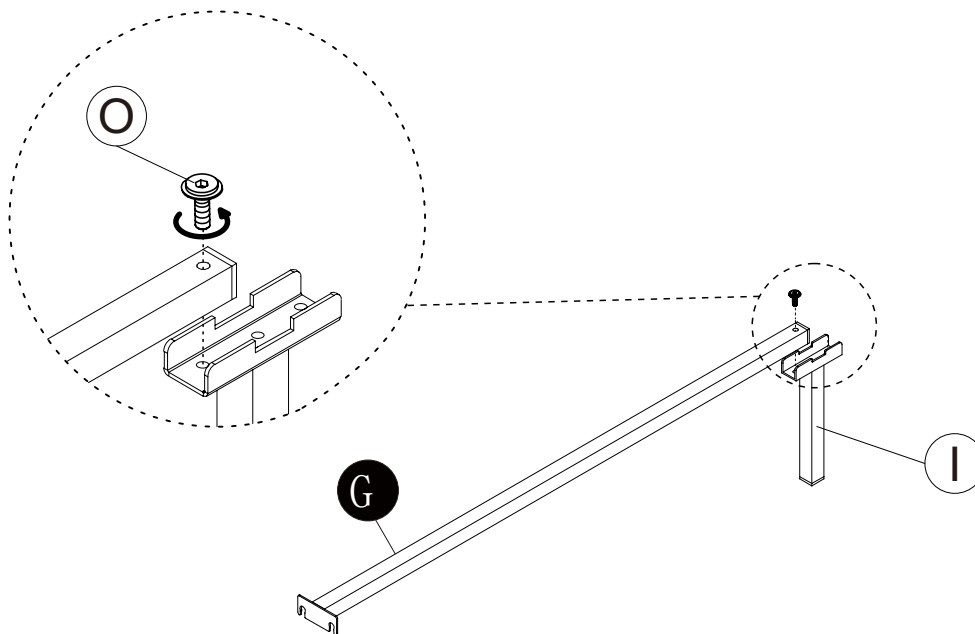


# step8

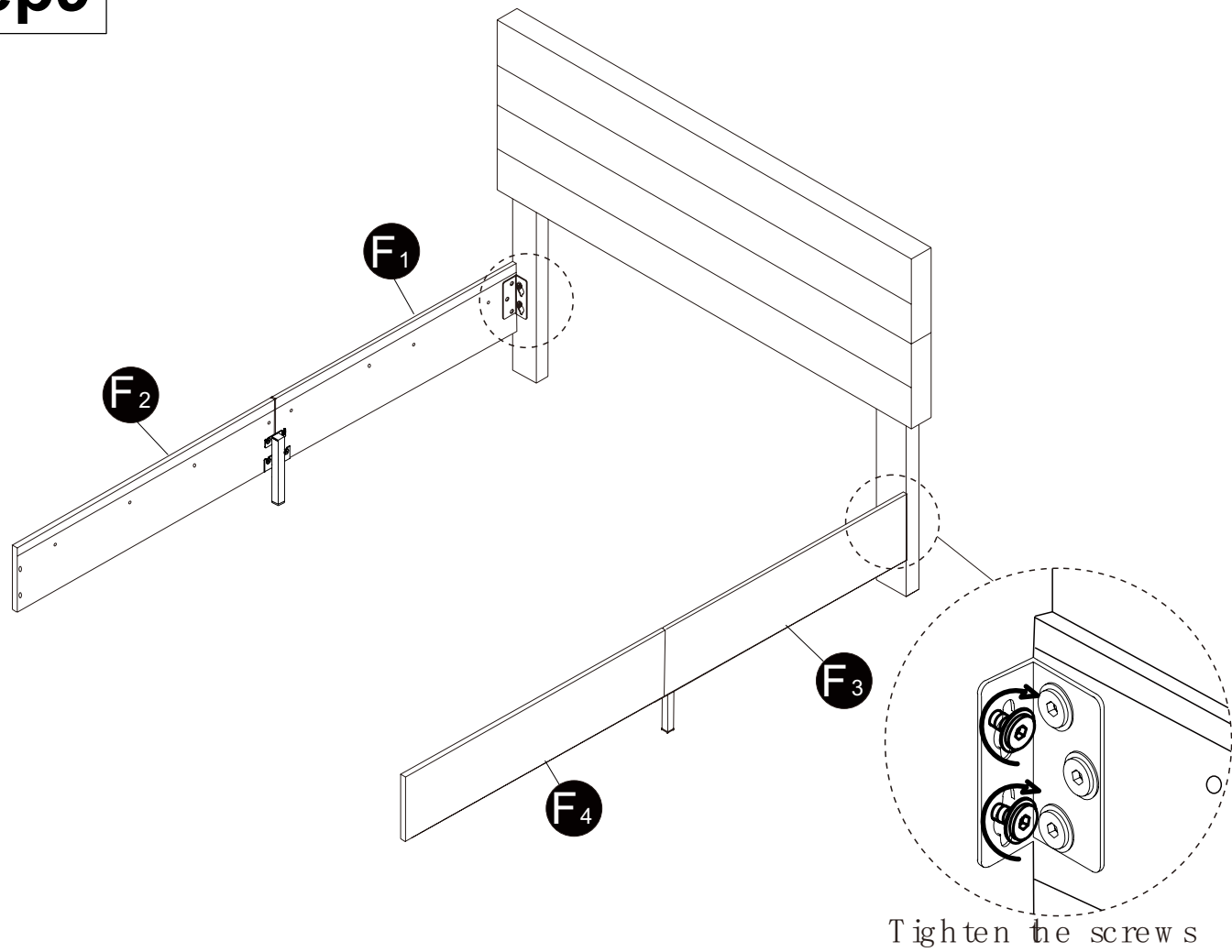
O



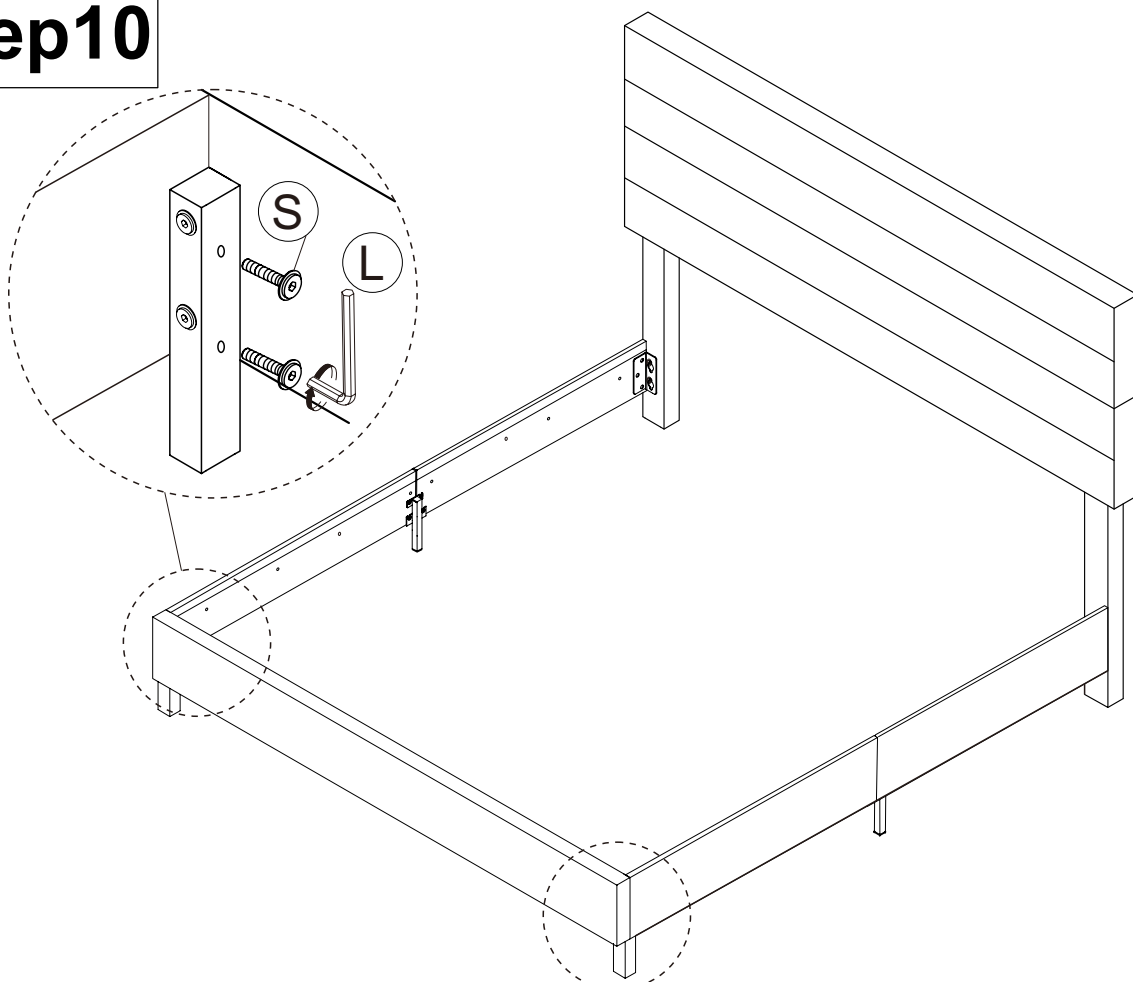
1PC

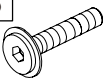


# step9



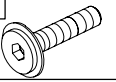
# step10



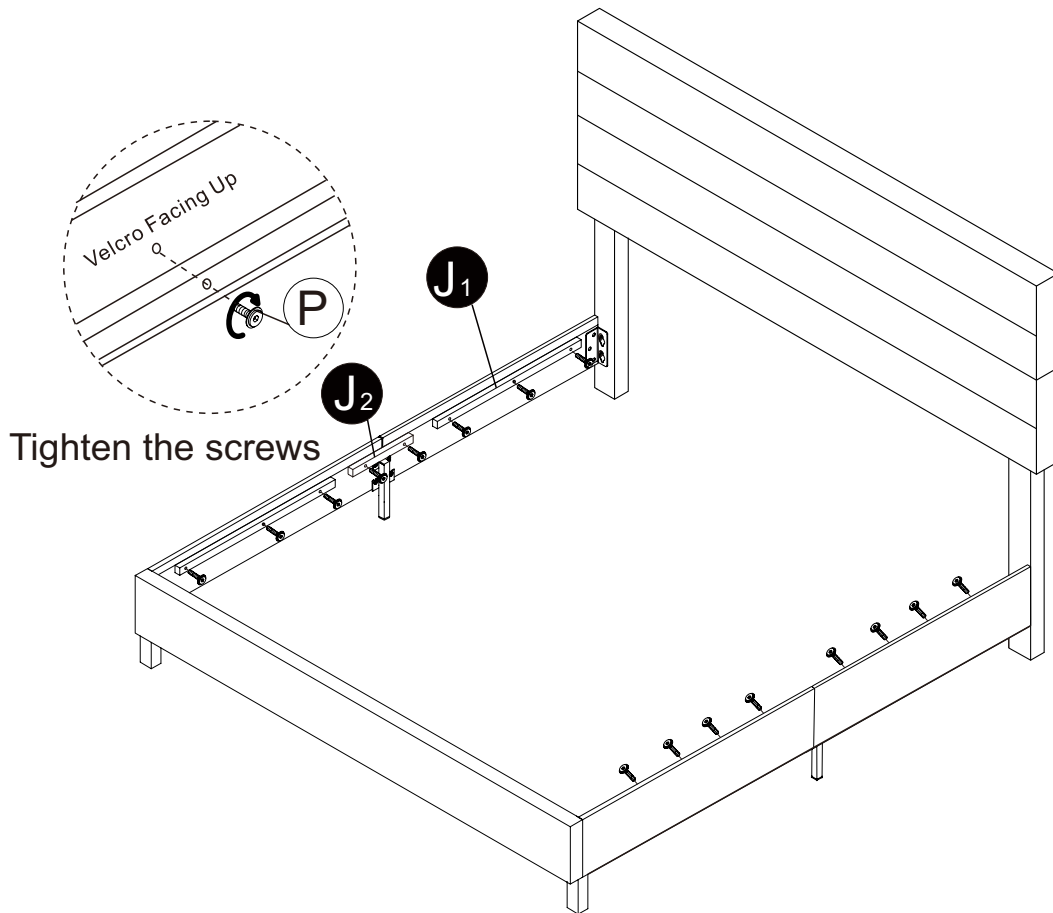
|      |   |
|------|---|
| S    |  |
| 4PCS |   |

# step11

P

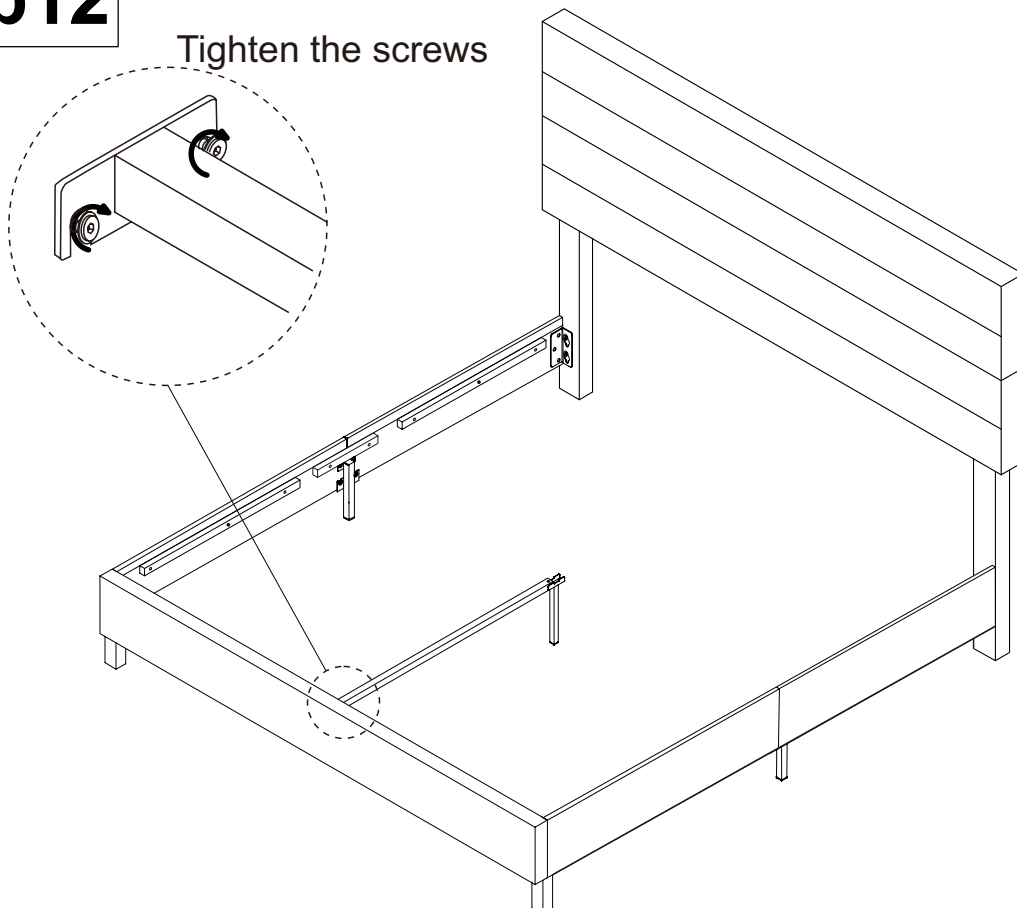


16PCS

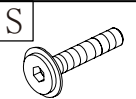


# step12

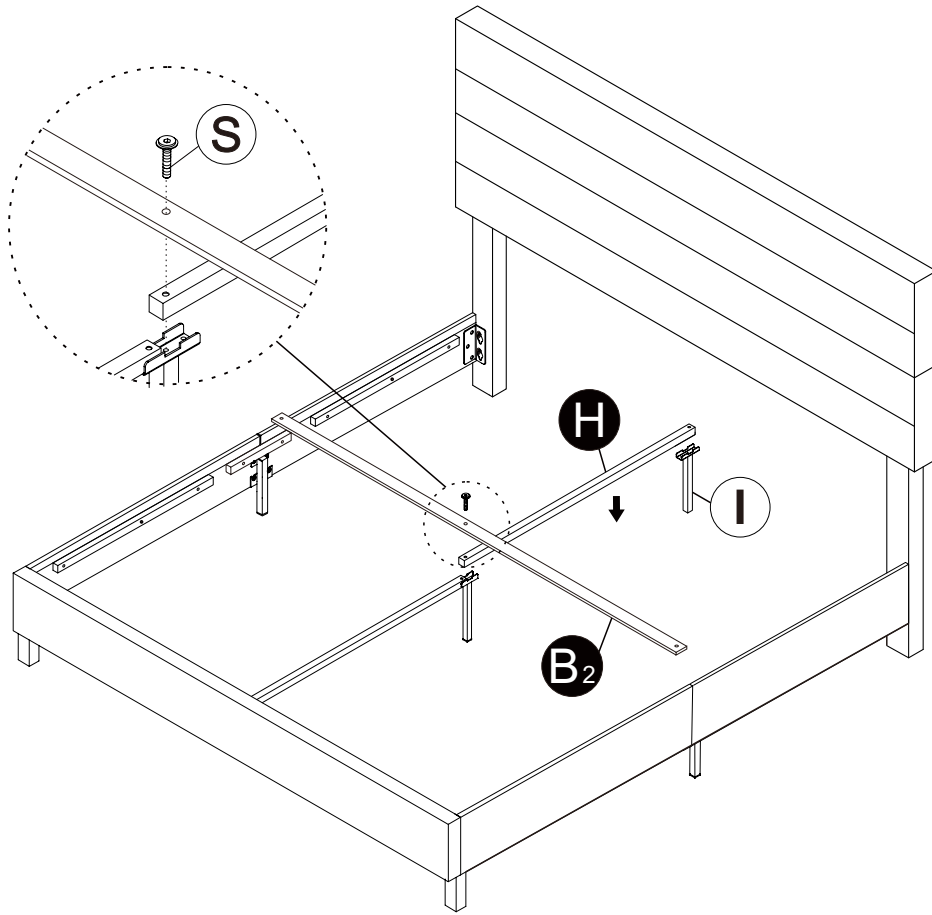
Tighten the screws



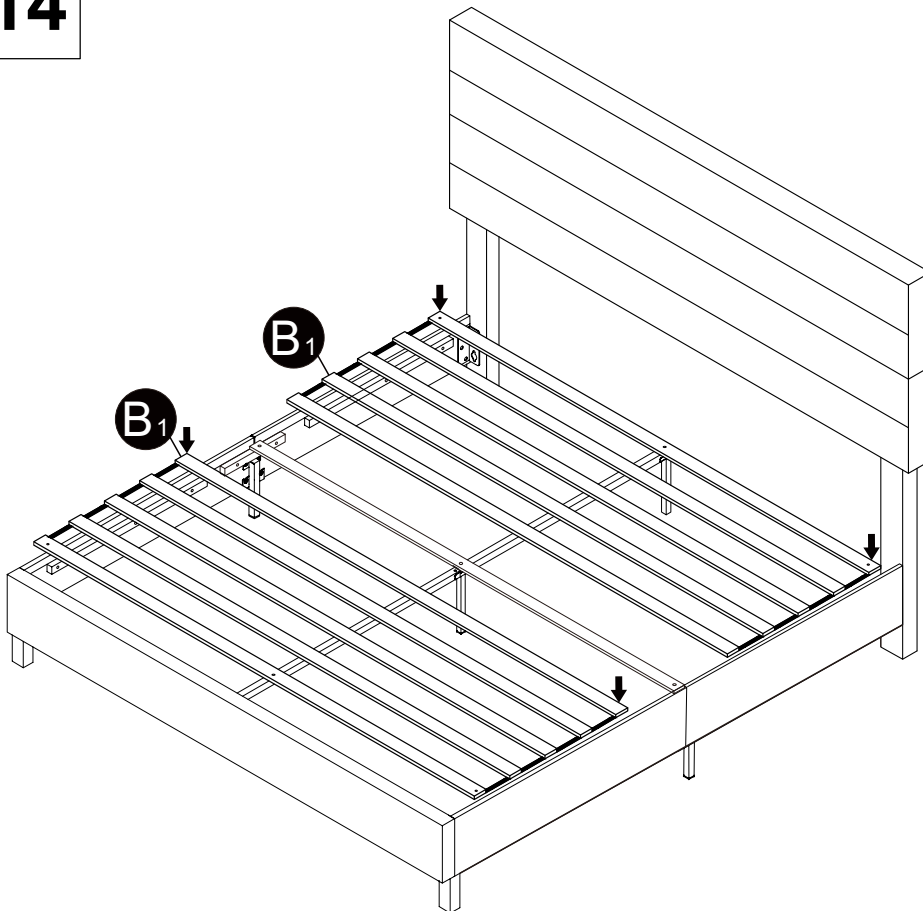
# step13



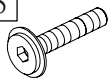
1PC

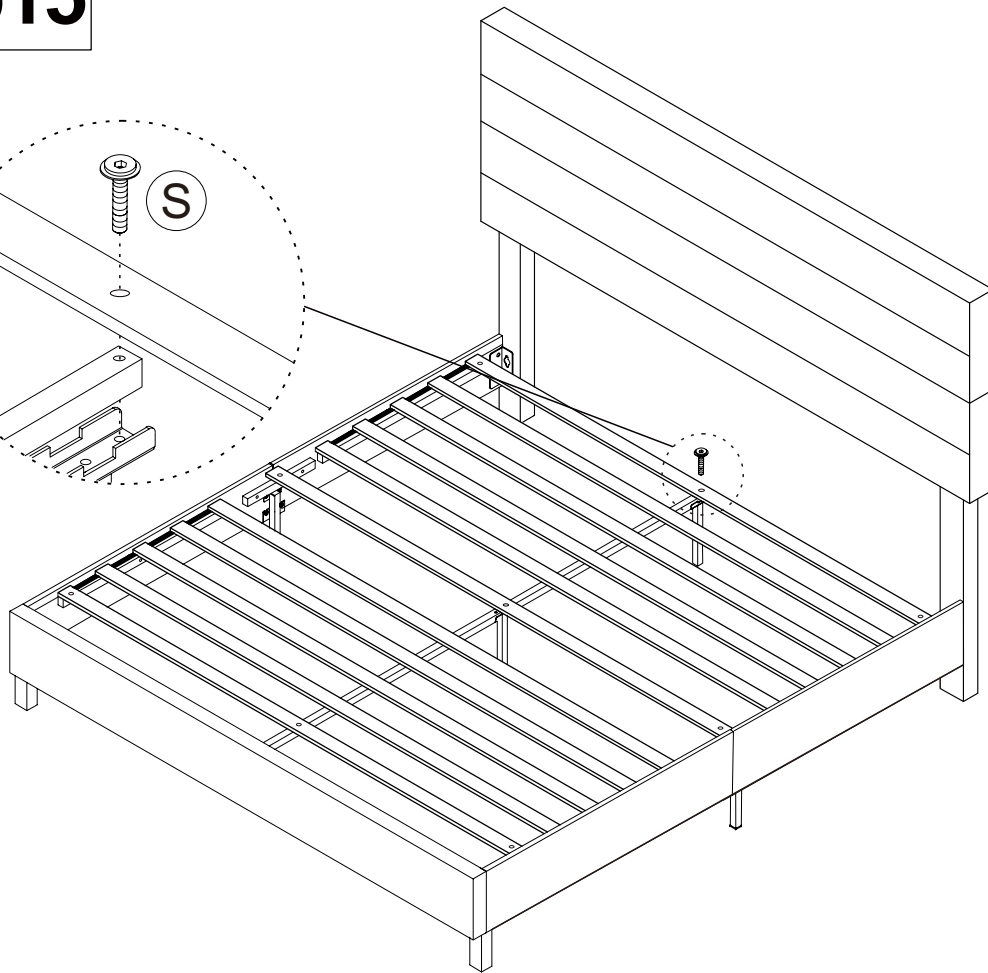
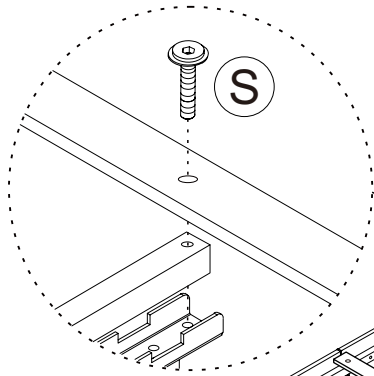


# step14





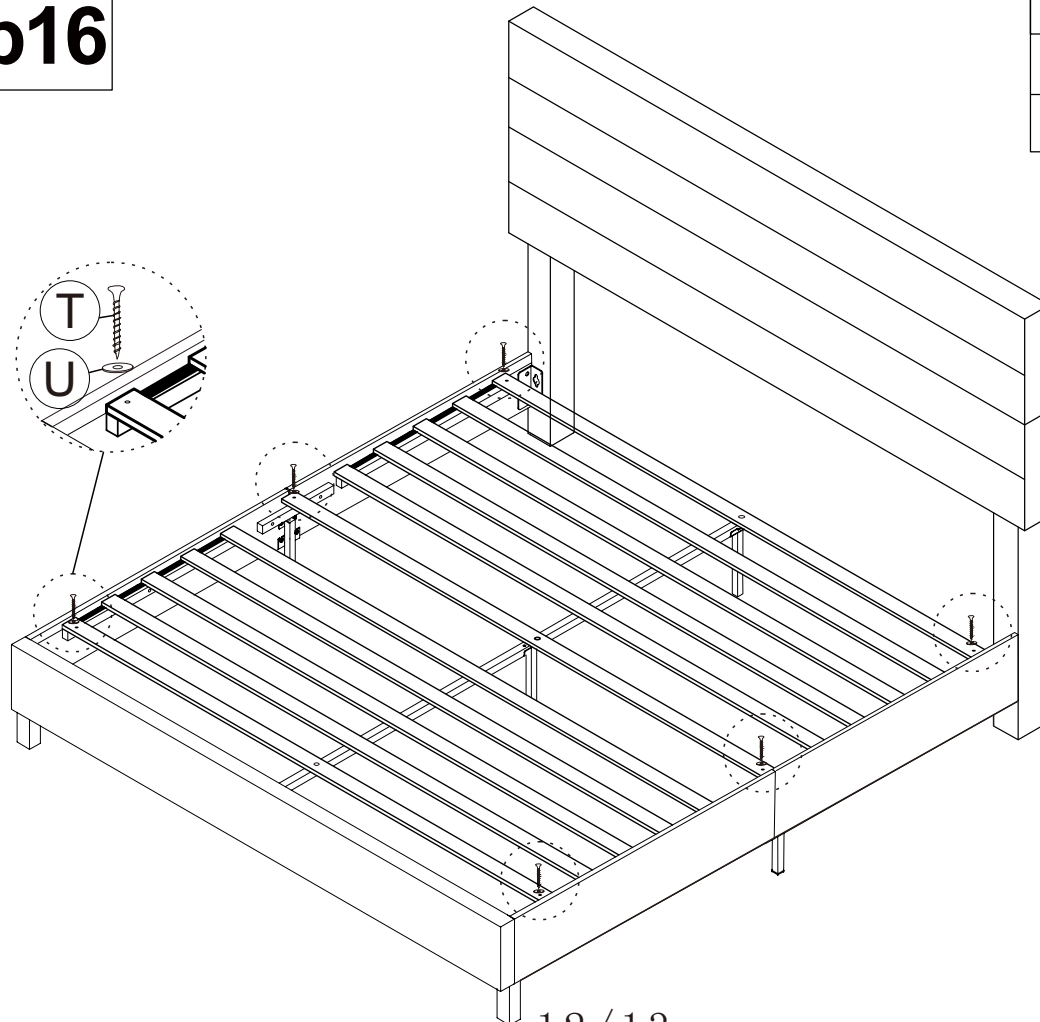
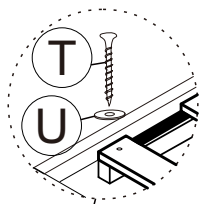
# step15

|     |  |
|-----|--|
| S   |  |
| 1PC |  |



# step16

|      |   |      |   |
|------|---|------|---|
| T    |  | U    |  |
| 6PCS |   | 6PCS |   |



**step17**

