

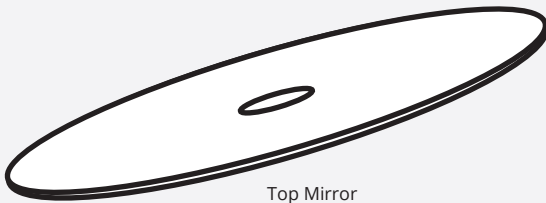
Congratulations on the purchase of your new black table! We've made it very easy to put together. Read the following instructions carefully before you begin.



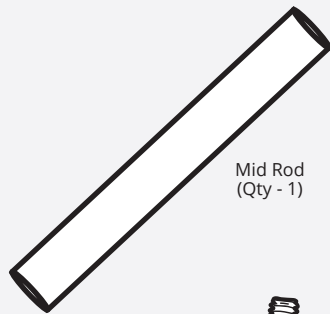
CAUTION

Be careful when using a knife or box cutter to open the packaging. Please read every step in the instructions before you begin installation. You are responsible for assembling, installing and taking care of your Table according to the instructions. Users who fail to heed the instructions run the risk of injury, so please be careful and work with caution.

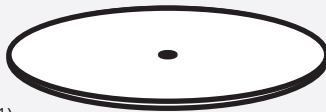
HARDWARE INCLUDED PER YOUR ORDER



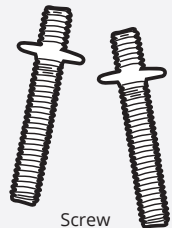
Top Mirror
(Qty - 1)



Mid Rod
(Qty - 1)

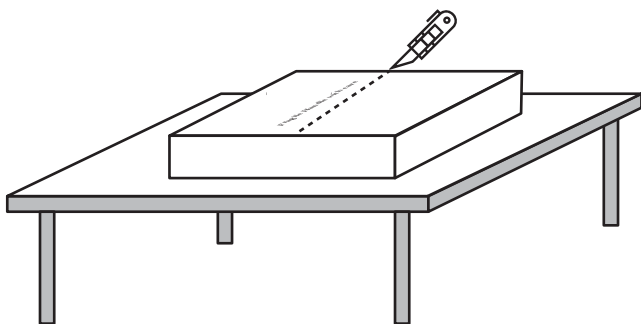


Base
(Qty - 1)



Screw
(Qty - 2)

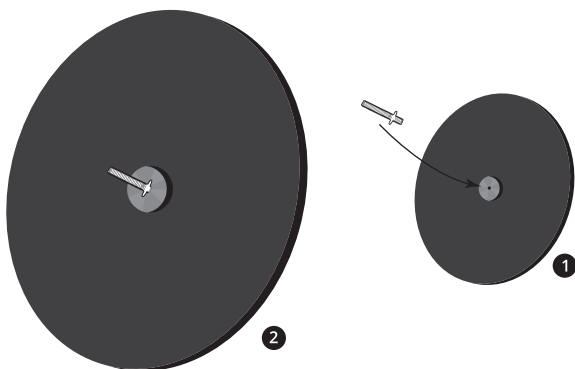
1



Place the box on a sturdy table or other stable, flat surface.

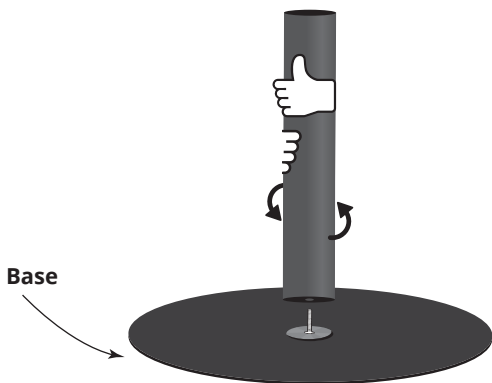
Be careful when using a knife or box cutter to open the packaging.

2



Insert a screw into the hole in the table base. Gently tighten the screw by hand.

3

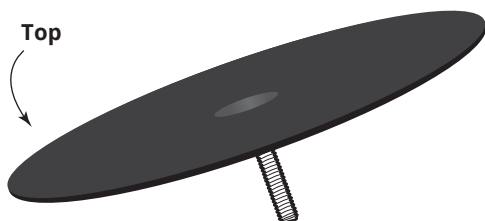


Put the base on a flat surface with the screw standing up.

Place the steel rod over the screw, matching it with the hole at the end of the rod.

Tighten the steel rod by hand onto the table base.

4



Match the other end of the steel rod with the table top.

5



Insert the other screw through the hole in the table top.

Tighten the screw by hand until the table top is firmly attached.

6



Congratulations!

You can now enjoy using your
new black table.