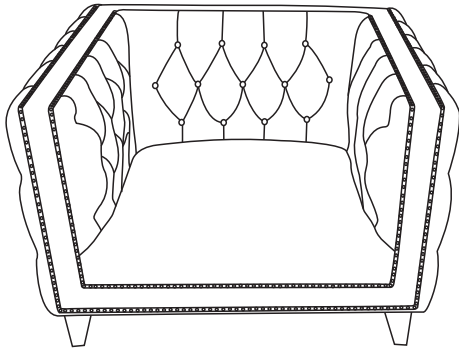
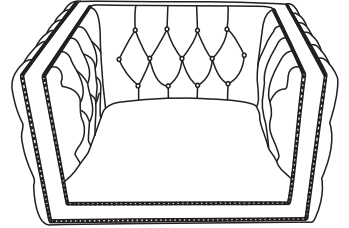


ASSEMBLY INSTRUCTION

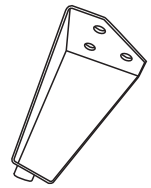


+ Parts Included

- ① CHAIR BASE
1PC



- ② LEG
4PCS



+ Do Not Use Power Tools



+ Suggested Adults



NOTE:

- 1 Read instructions cover to cover.
- 2 Save all packaging until assembly is completed.

1 IMPORTANT SAFETY INFORMATION

Do not assemble the product if any of the following parts arrived damaged:

- Part # - Chair Base
- Part # - leg

Do not assemble if any of the following Hardware parts missing:

- Part # - Allen Wrench
- Part # - Bolt
- Part # - Washer

2 IMPORTANT ASSEMBLY INFORMATION

Assembly Step If loosening persists, please make sure to tighten all the bolts periodically, or use a thread locker adhesive.

+ Hardware Included

- A** ALLEN WRENCH $\varnothing 5/16$ *60MM 1PC **B** BOLT M6*25MM 12PCS

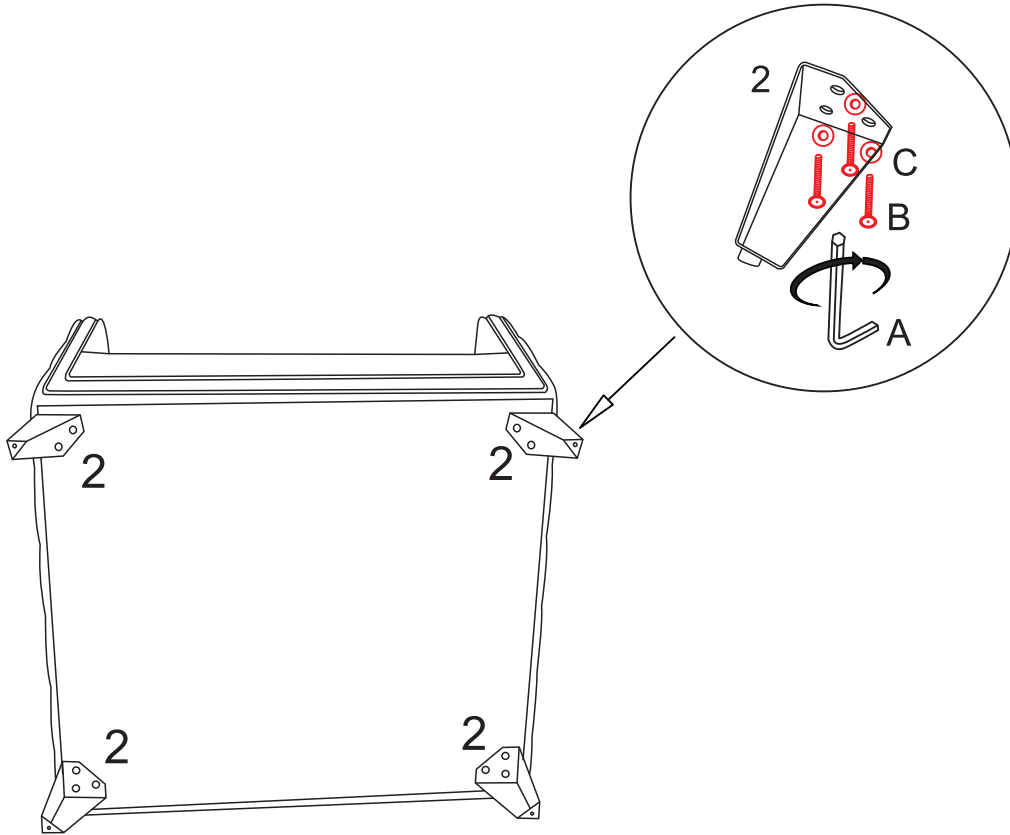


- C** WASHER M6*16MM 12PCS



ASSEMBLY INSTRUCTION

1



2

