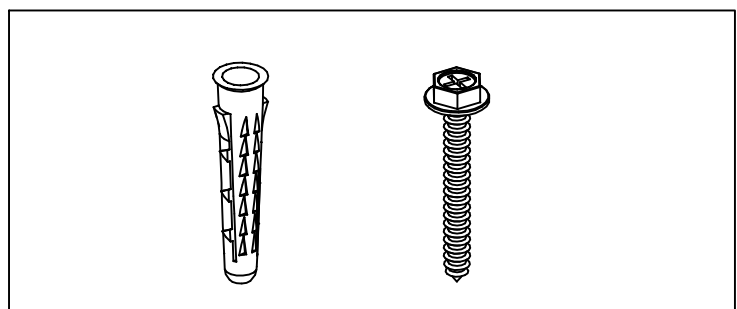


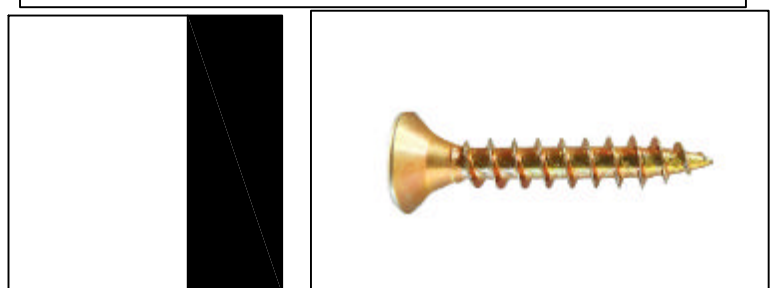
Installation wall requirements

Solid brick wall, load-bearing wall, fired hollow brick wall, wood board wall thickened insulation wall! It is not recommended to install gypsum board walls and thin plywood walls...! .

1. For solid brick walls, load-bearing walls, and fired hollow brick walls, we are equipped with 10mm wall fittings



2. If it is a wooden wall (the thickness of the wooden board needs to be at least 15 mm), you need to buy automatic screws locally.



15mm

Tools Included

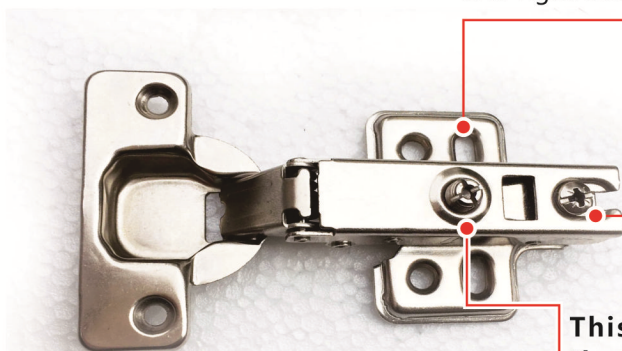


Tools Required



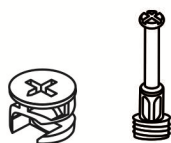
How to adjust the door hinge/hinge.

This screw of the door hinge can adjust the left and right clearance of the door



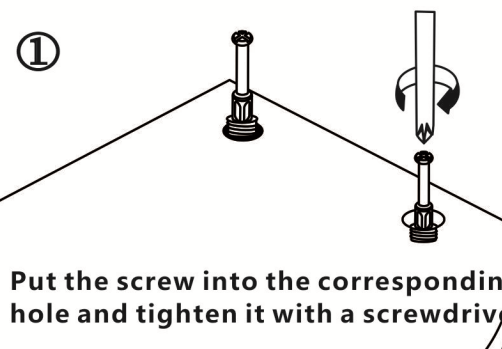
The screw on the door hinge can adjust the gap between the front and rear of the door panel and the side panel.

This screw on the door hinge can adjust the upper and lower clearance of the door panel.



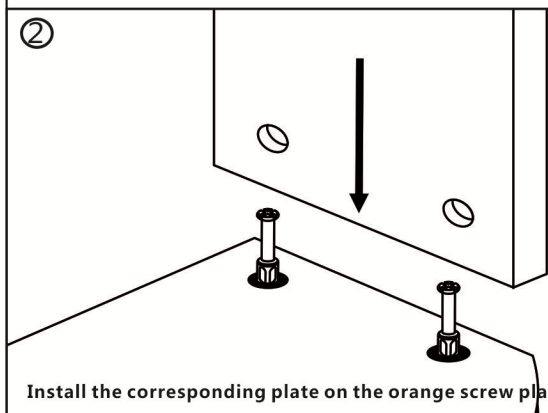
Three-in-one fastener instructions

①



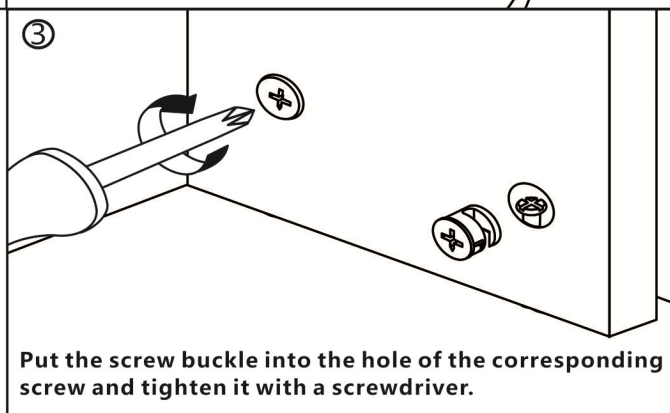
Put the screw into the corresponding hole and tighten it with a screwdriver.

②



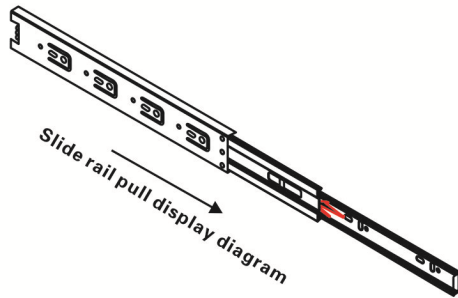
Install the corresponding plate on the orange screw plate.

③

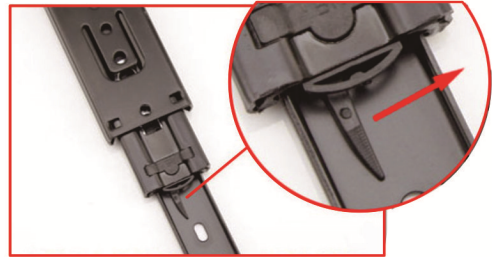


Put the screw buckle into the hole of the corresponding screw and tighten it with a screwdriver.

① Stretch the slide rail to the maximum.

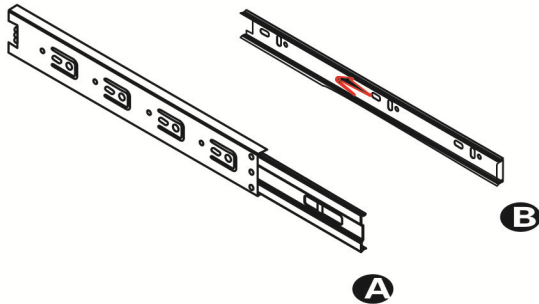


② Press and hold the button to remove the slide rail.

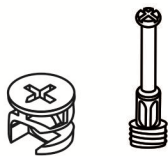
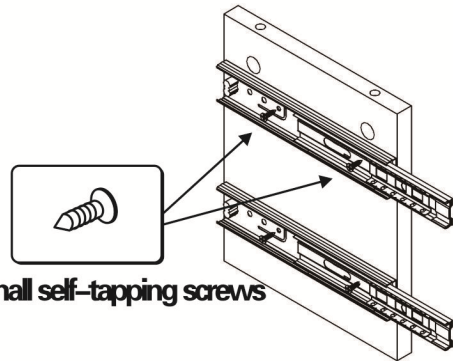


The rail can be removed by sliding in the direction of the arrow
No tools required

③ Fold the slide rail into two parts A \ B.

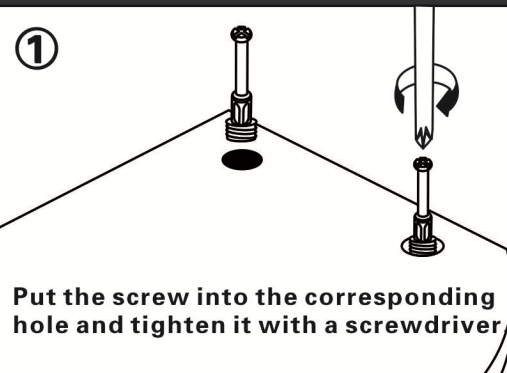


④ Fix **A** slide rail with small tapping screws No. 213 board.

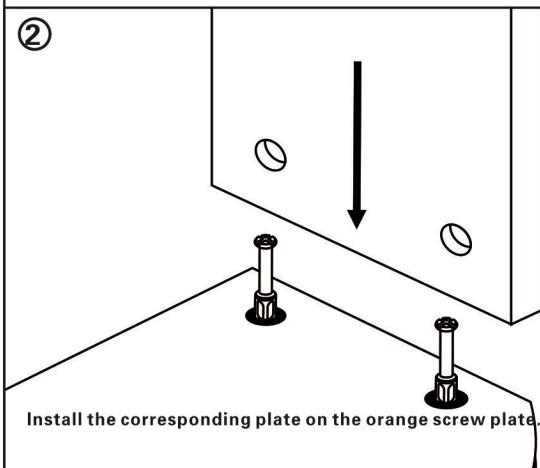


Three-in-one fastener instructions

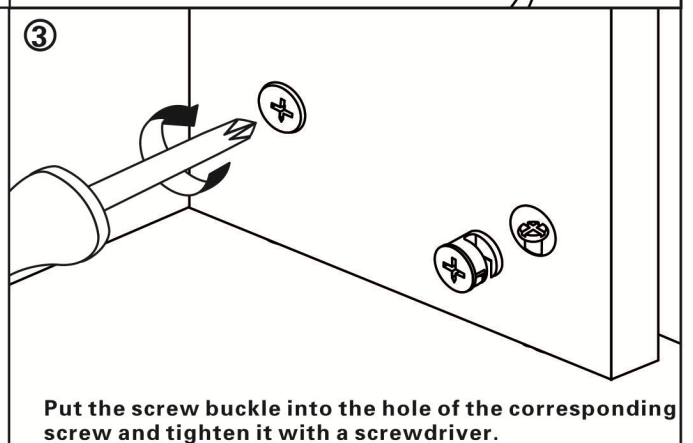
①



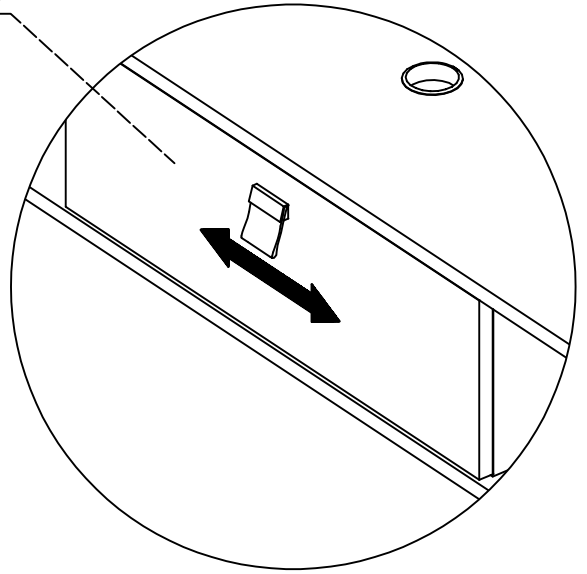
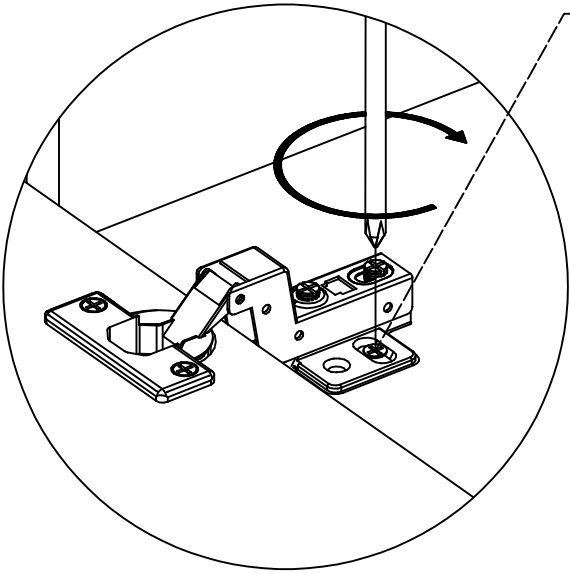
②



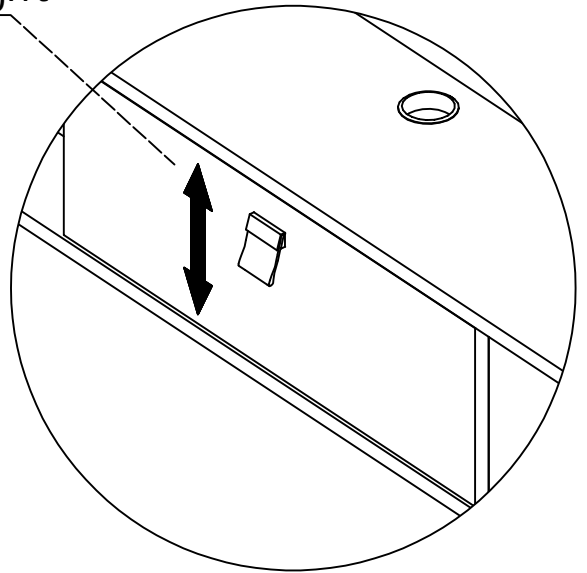
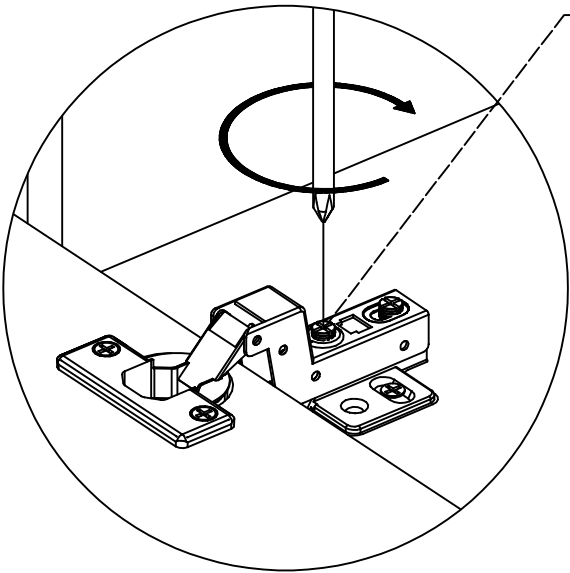
③



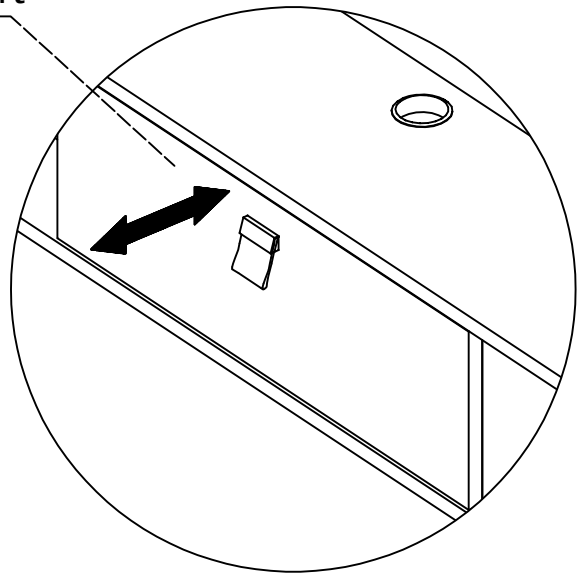
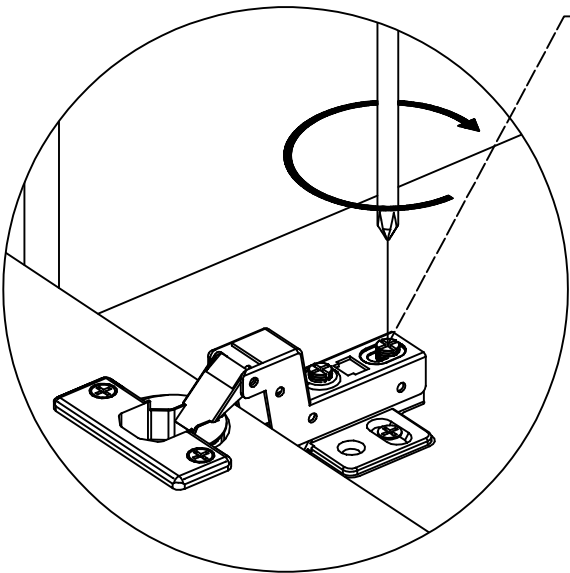
Adjust left

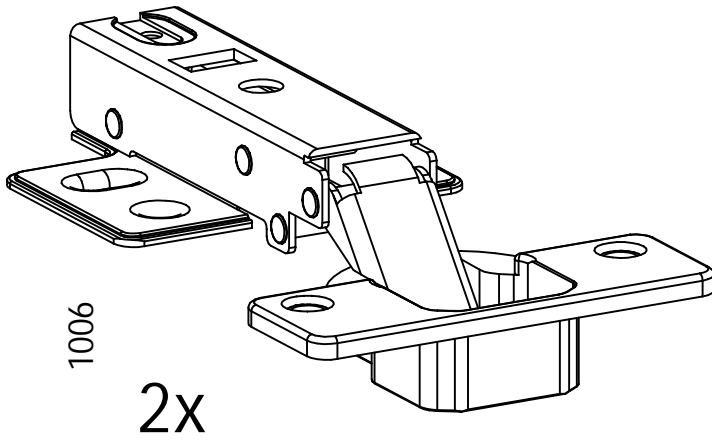
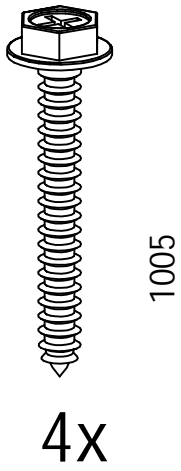
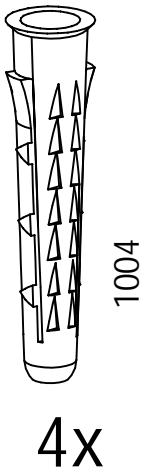
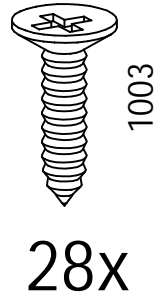
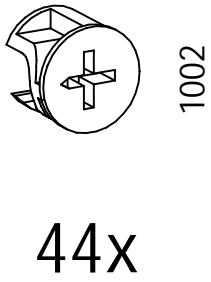
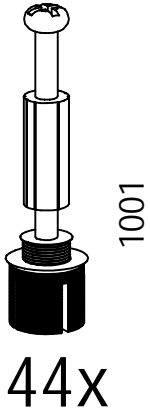


Adjust Height

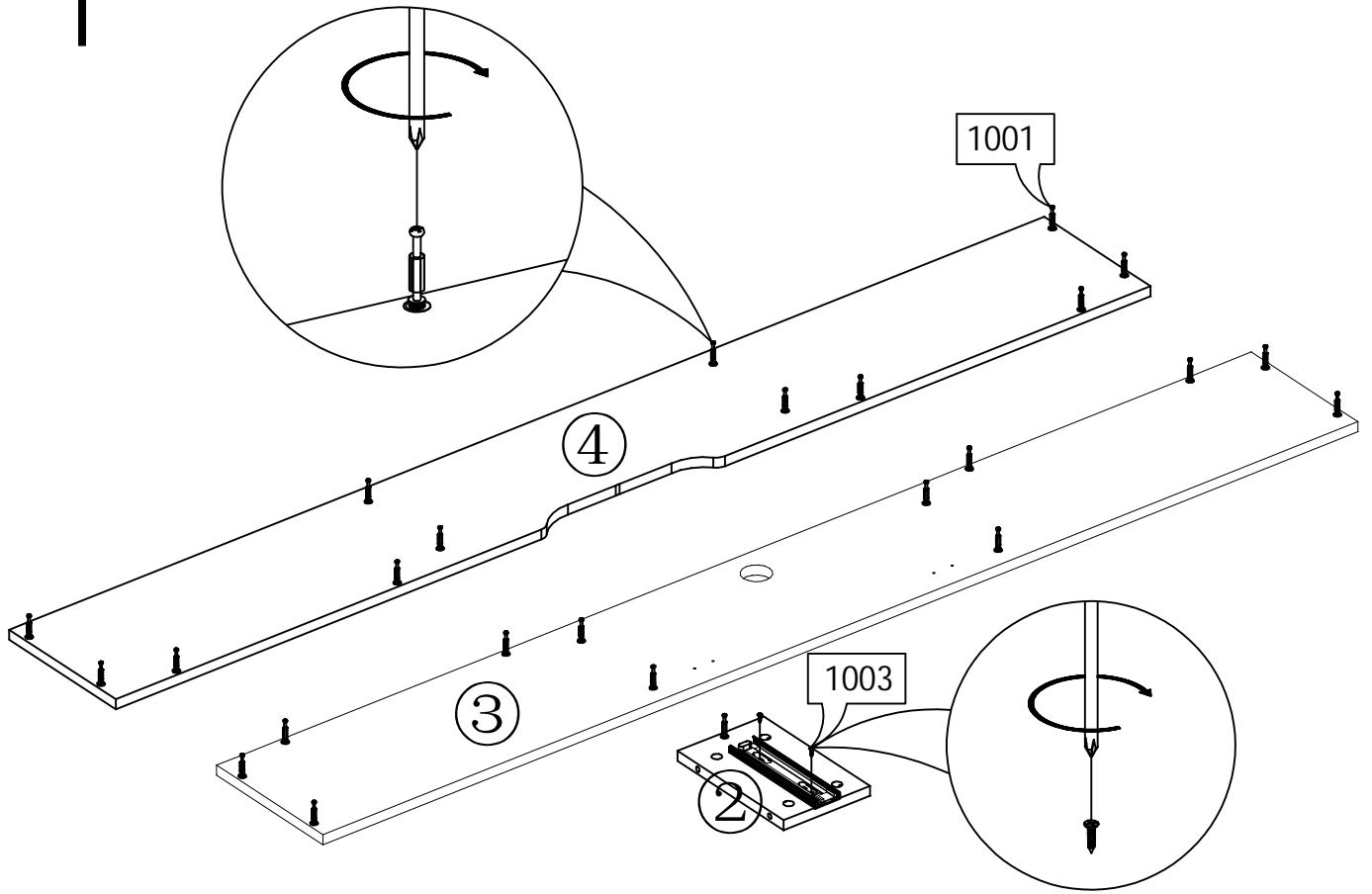


Adjust front

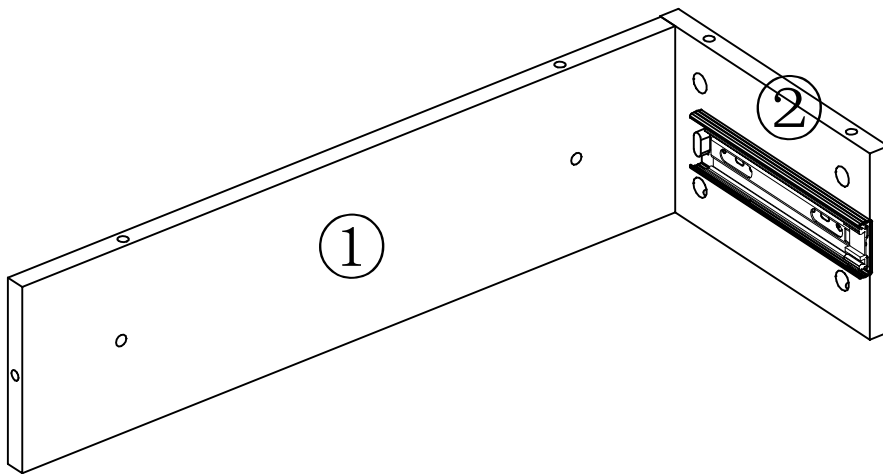




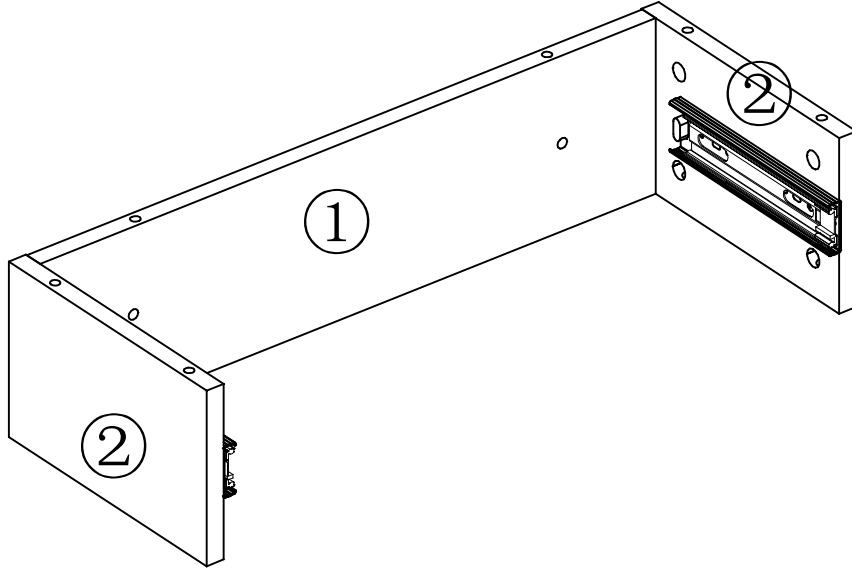
1



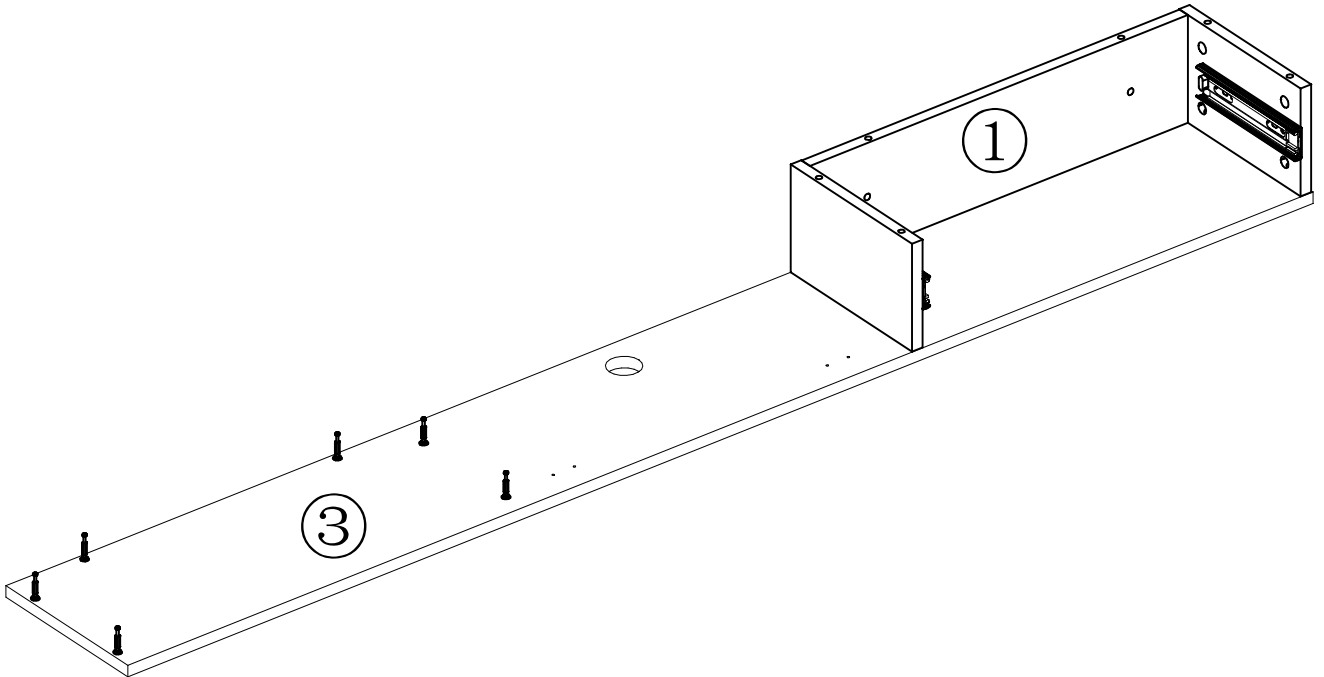
2



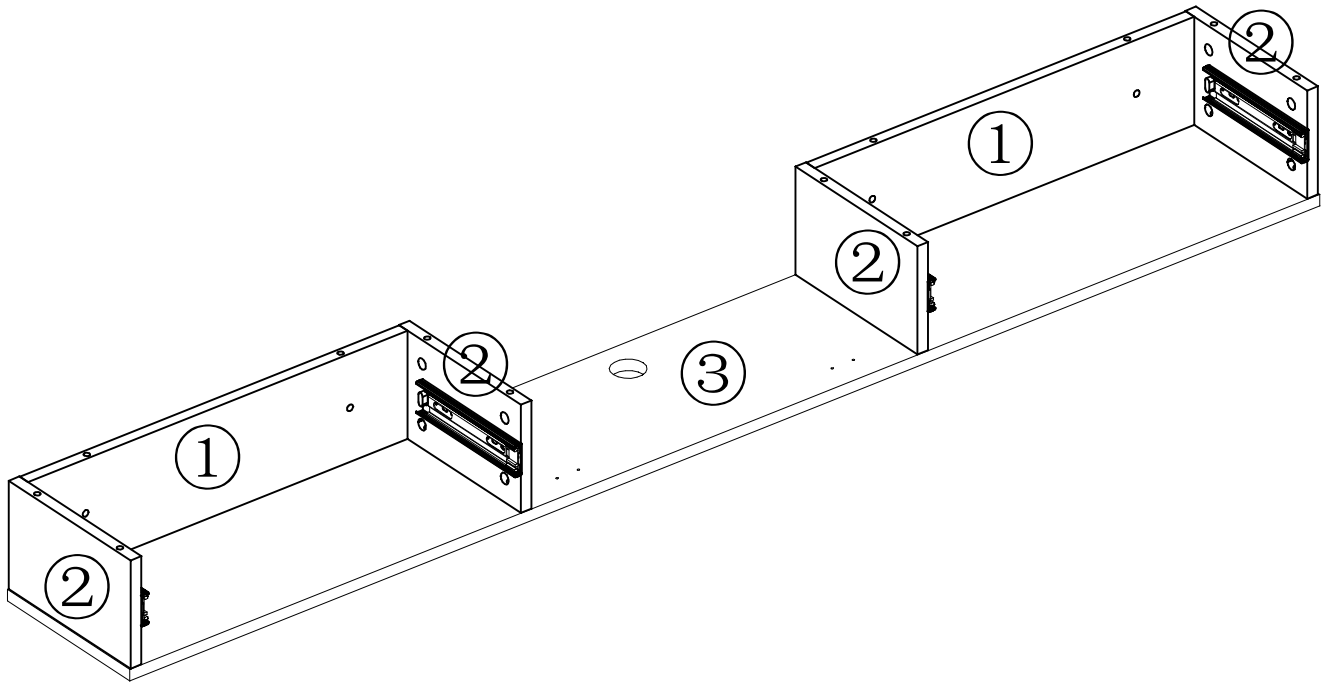
3



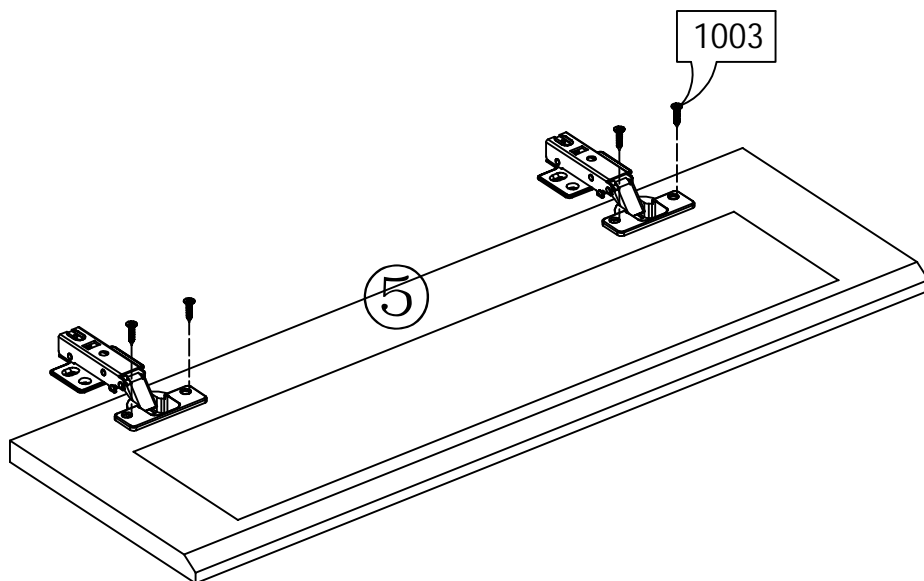
4



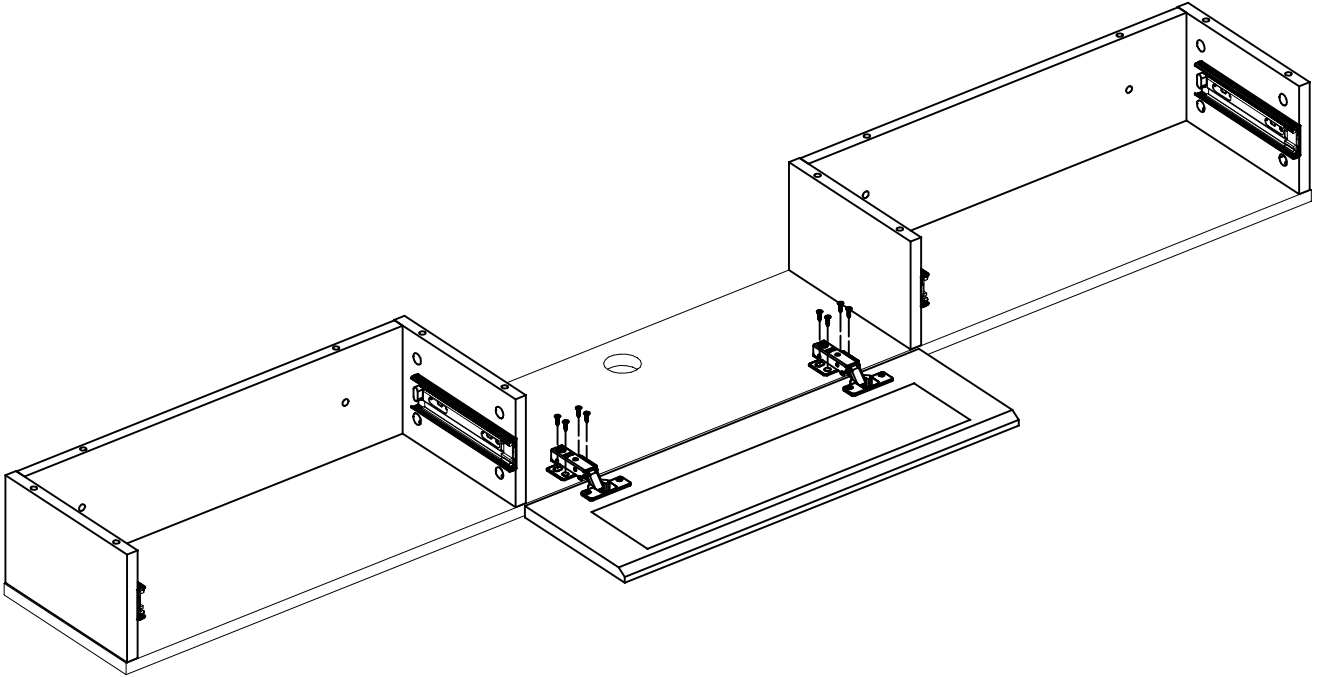
5



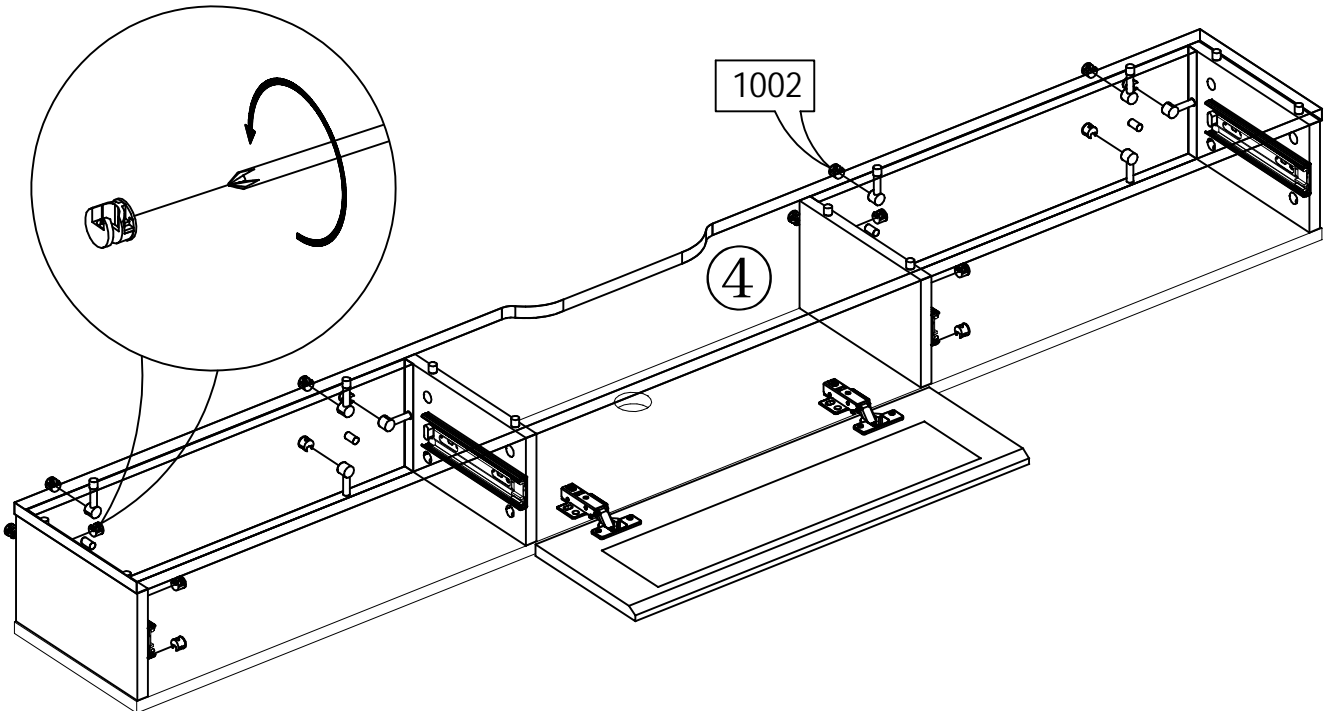
6



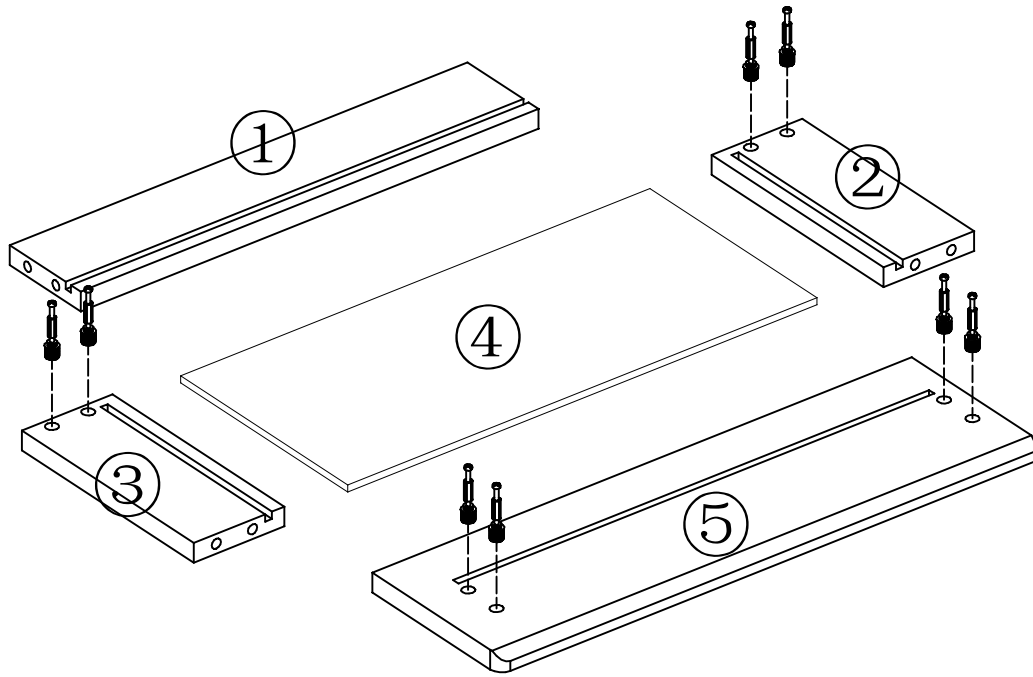
7



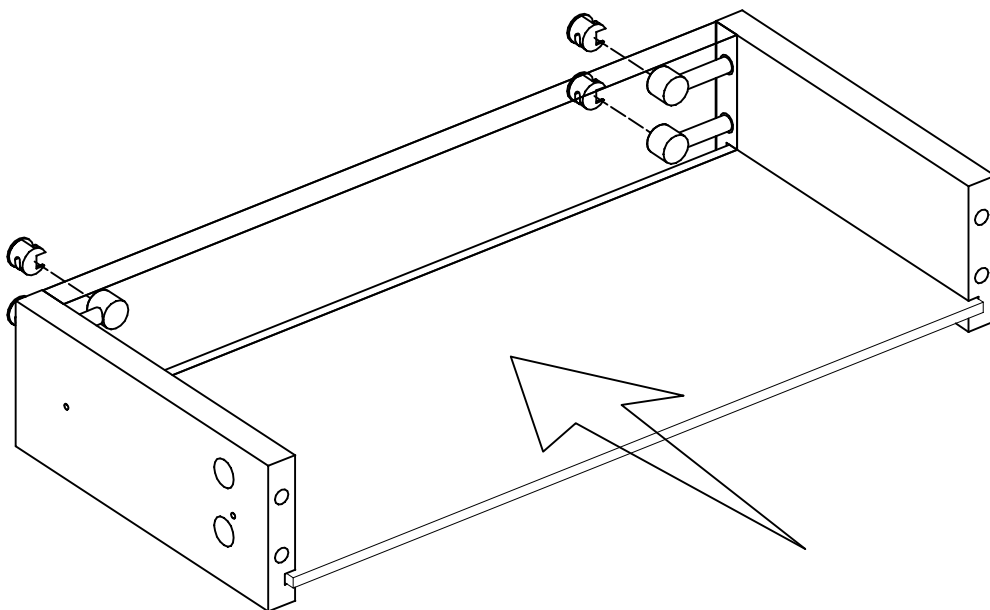
8



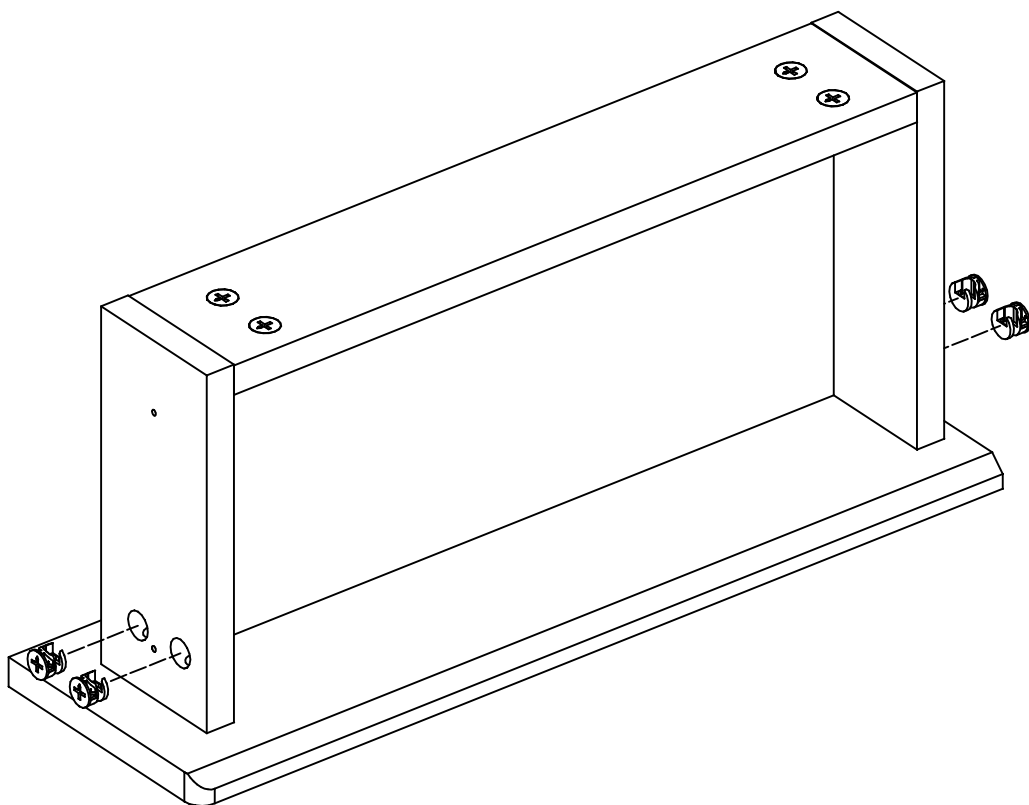
9



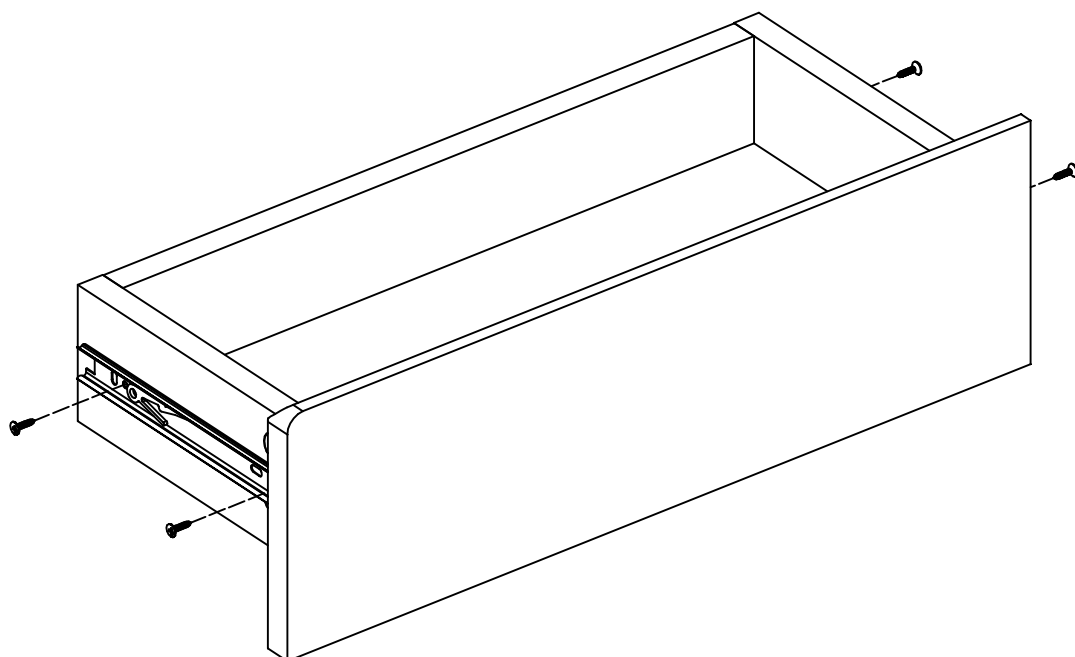
10



11

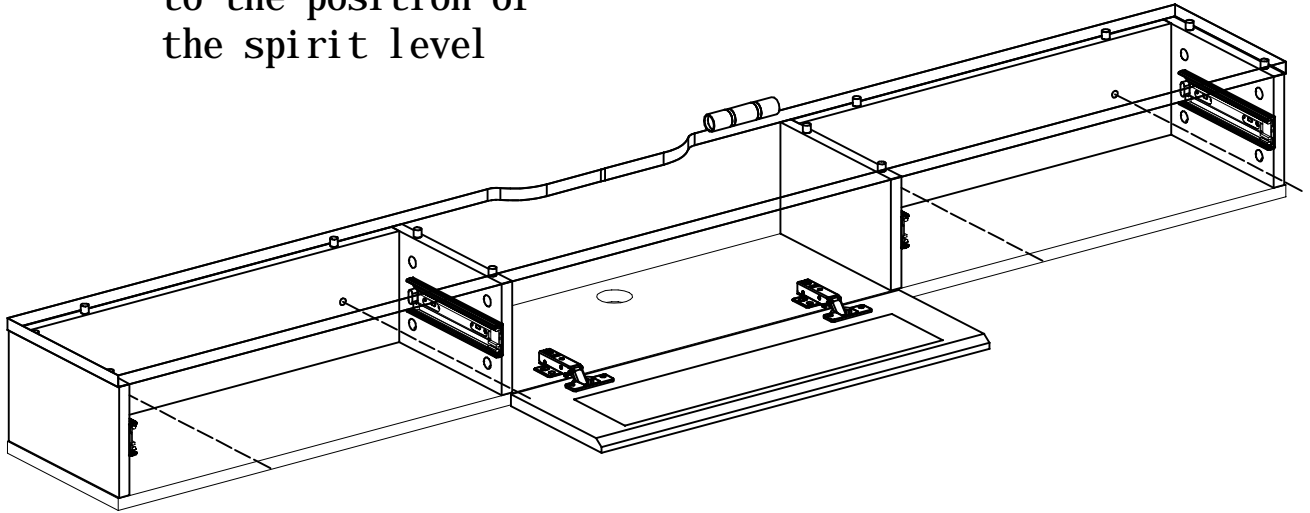


12



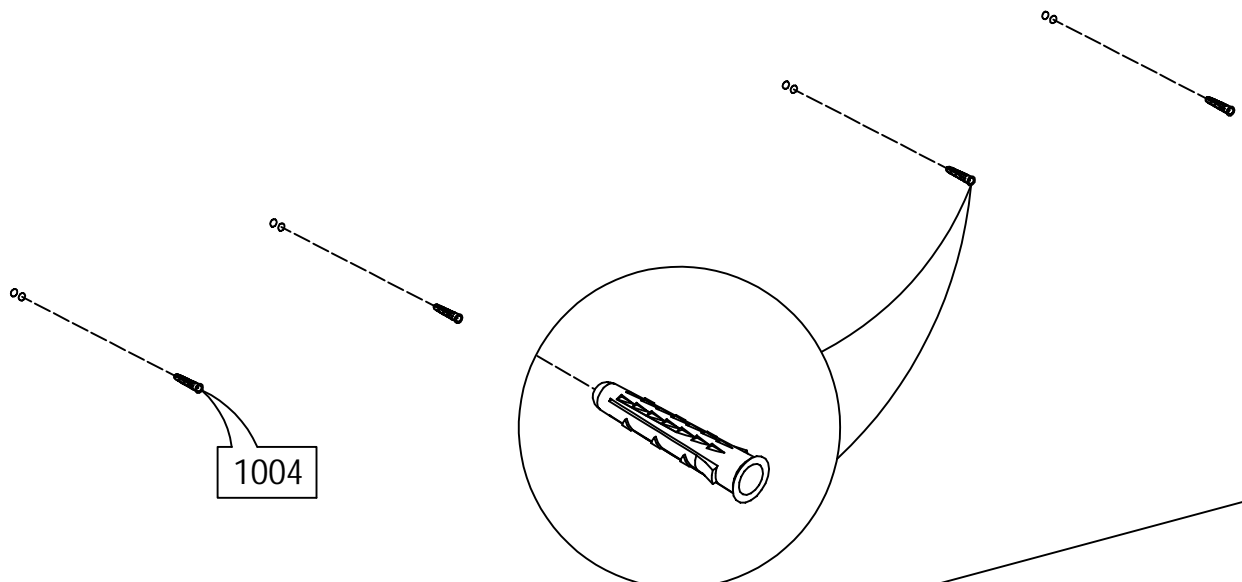
13

Locate the hole on the wall of the furniture according to the position of the spirit level

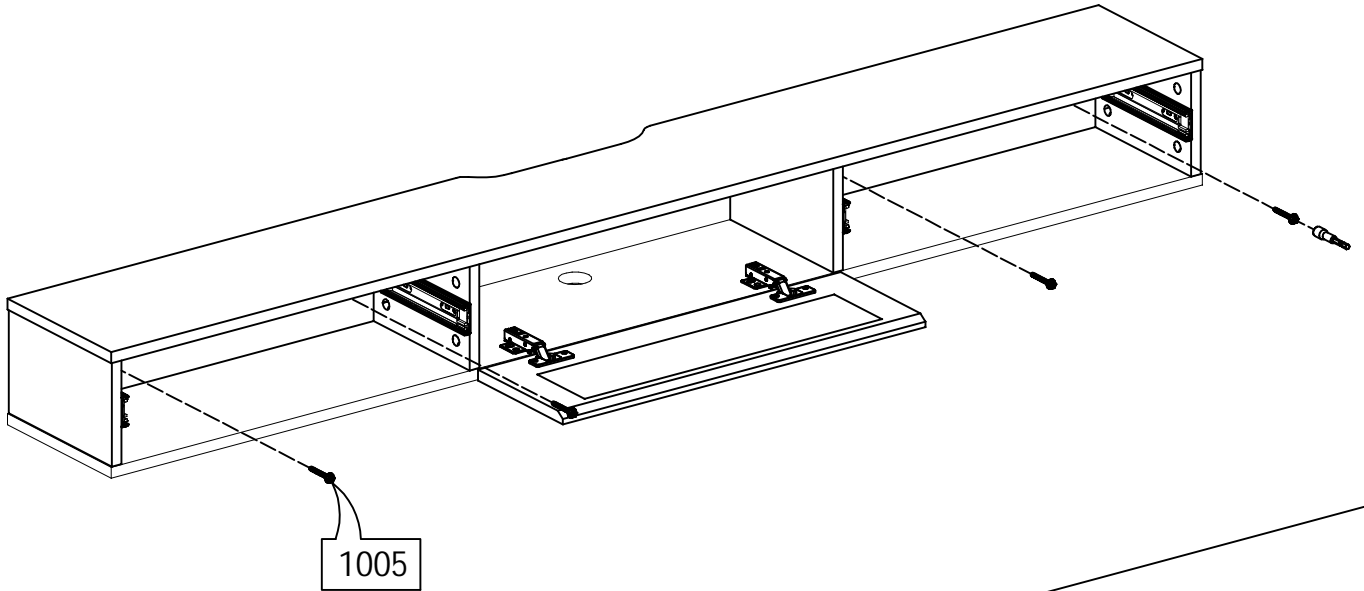


14

Make 10mm expansion holes on the wall



15



16

