

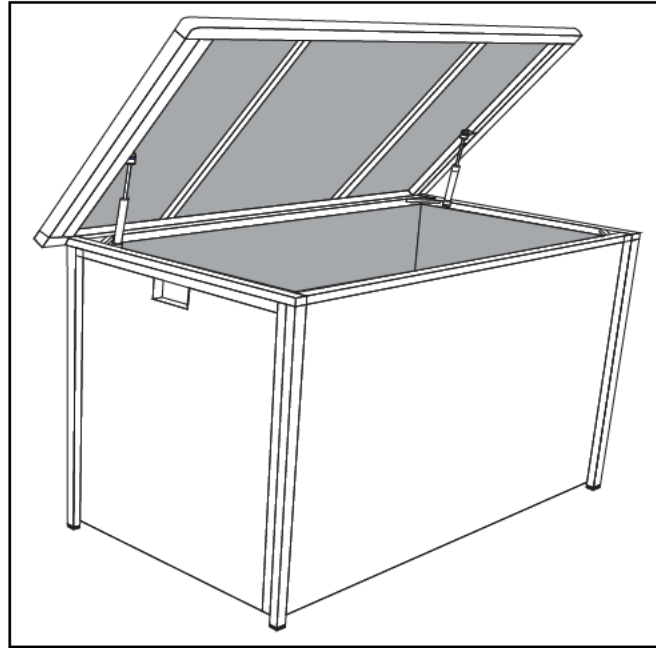
INSTRUCTION MANUAL ENCLOSED

ATTENTION

**IF YOU HAVE ANY PROBLEMS OR QUESTIONS, PLEASE EMAIL OR CALL
CUSTOMER SERVICE BEFORE YOU RETURN THIS PRODUCT TO THE
STORE WHERE IT WAS PURCHASED.**



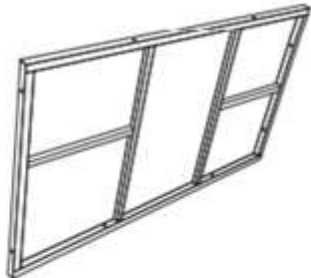


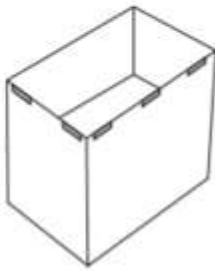




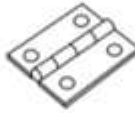


INSTRUCTION MANUAL ENCLOSED

CUSHION BOX ASSEMBLY INSTRUCTION



PARTS LIST

Part Description		Quantity
	<i>PARTS</i>	
A	Front & Back Frame	2
B	Side Frame	2
C	Bottom	1
D	Middle Frame	1
E	Cover	1
F	Canvas	1
	<i>HARDWARE</i>	
G	Bolt M6x35 mm	12
H	Bolt M6x25 mm	12
I	Bolt M6x15 mm	8
J	Metal Washer	32
K	Hinge	2
L	Gas Spring	2
M	Allen Key	2

<p>Ax2</p> 	<p>Bx2</p> 	<p>Cx1</p> 
<p>Dx1</p> 	<p>Ex1</p> 	<p>Fx1</p> 
<p>Gx12</p>  <p>M6x35mm</p>	<p>Hx12</p>  <p>M6x25mm</p>	<p>Ix8</p>  <p>M6x15mm</p>
<p>Jx32</p>  <p>M2x6x16</p>	<p>Kx2</p>  <p>M2x37x62</p>	<p>Lx2</p> 
<p>Mx2</p>  <p>M4</p>		

PLEASE READ AND FOLLOW ALL SAFETY TIPS

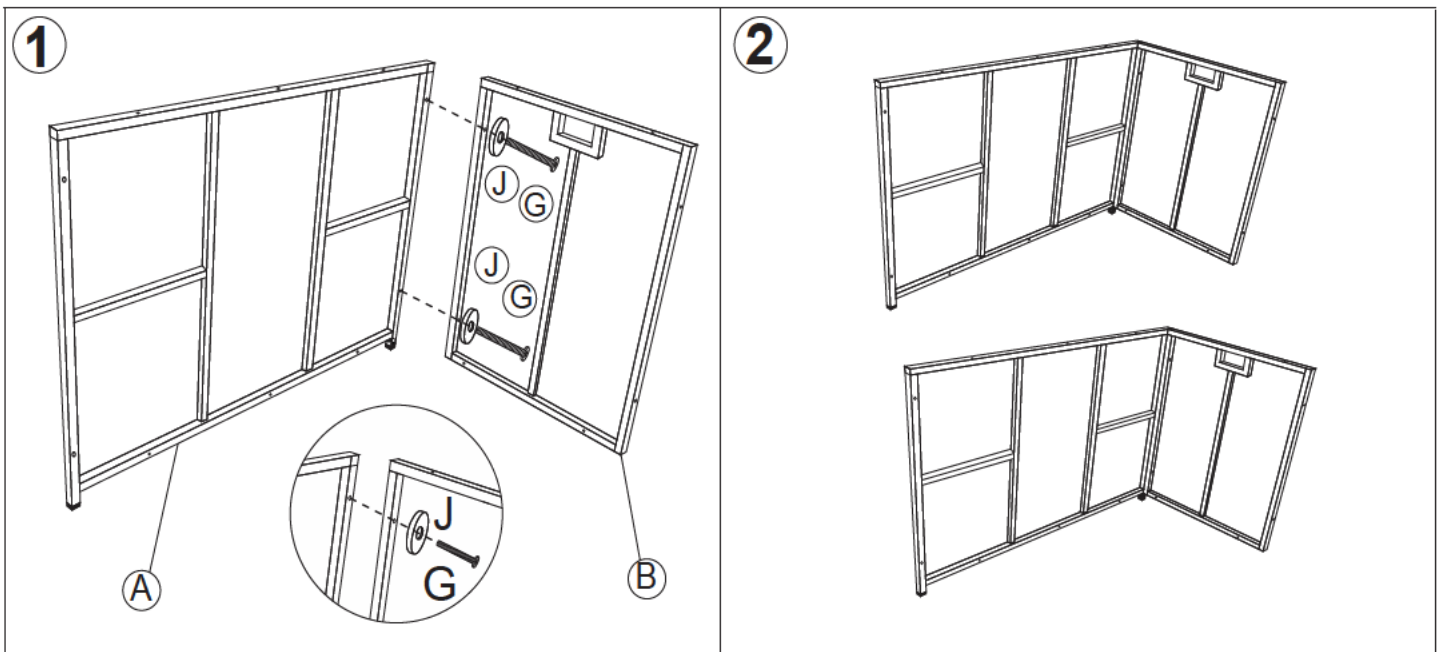
GETTING STARTED

1. Before assembling, CAREFULLY use scissors or utility knife to cut and unwrap all parts. Make sure you do not discard the hardware.

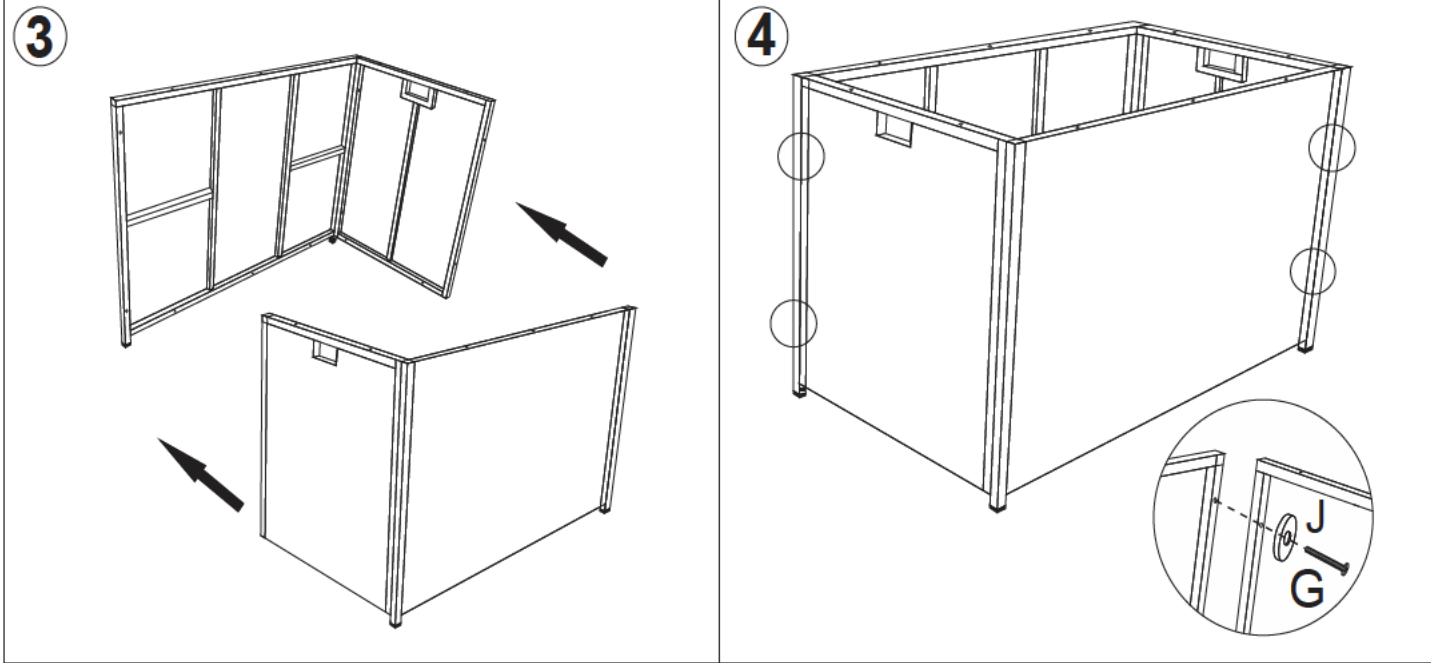
Reminders:

1. The plastic covers on some metal parts are just for product protection, please remove it before assembling.
2. Please follow the instruction steps as sequenced below, please do not skip steps.
3. Do not tighten the screws until all of them are in correct positions.

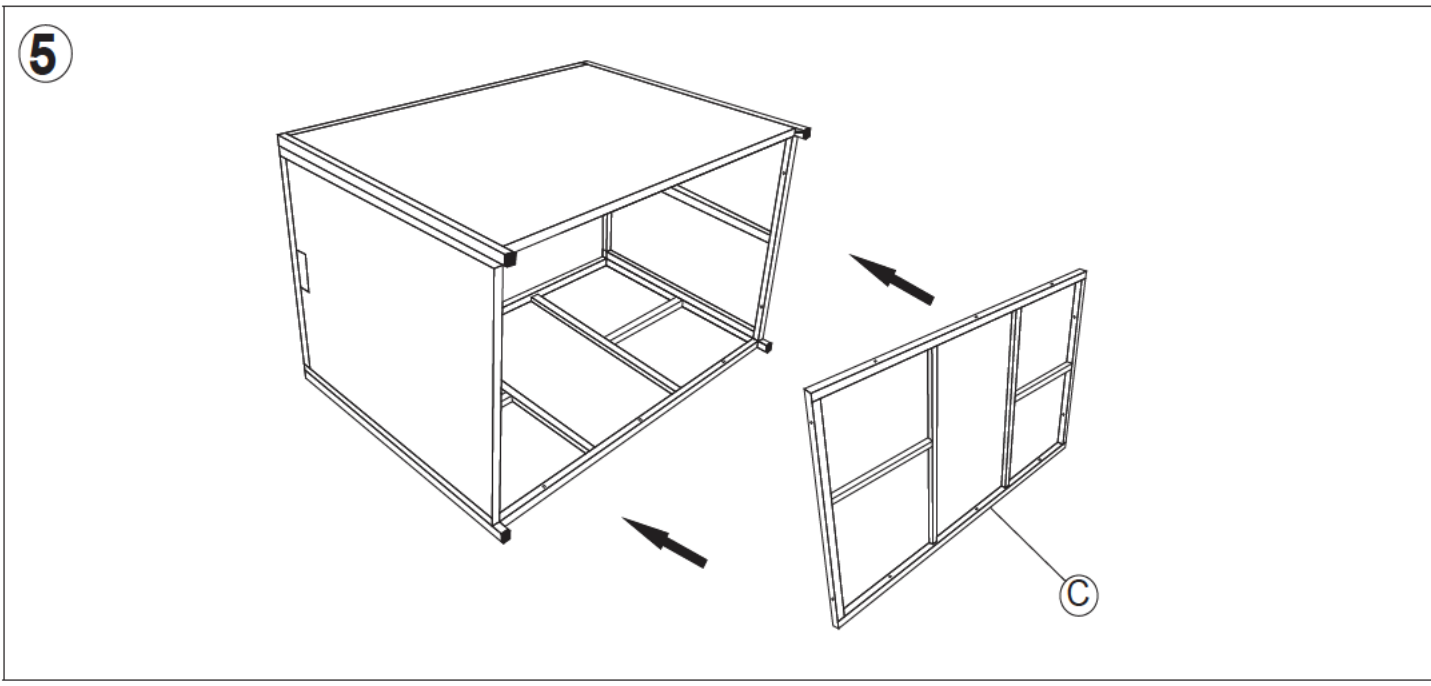
1. Position front & back frame (A) and the side frame (B) by the pre-drilled threads. Use Allen Key(M) to fasten Bolts (G) with Washers (J). Each frame should have 2 bolts fastened. (Photo 1&2), Do not tighten bolts.



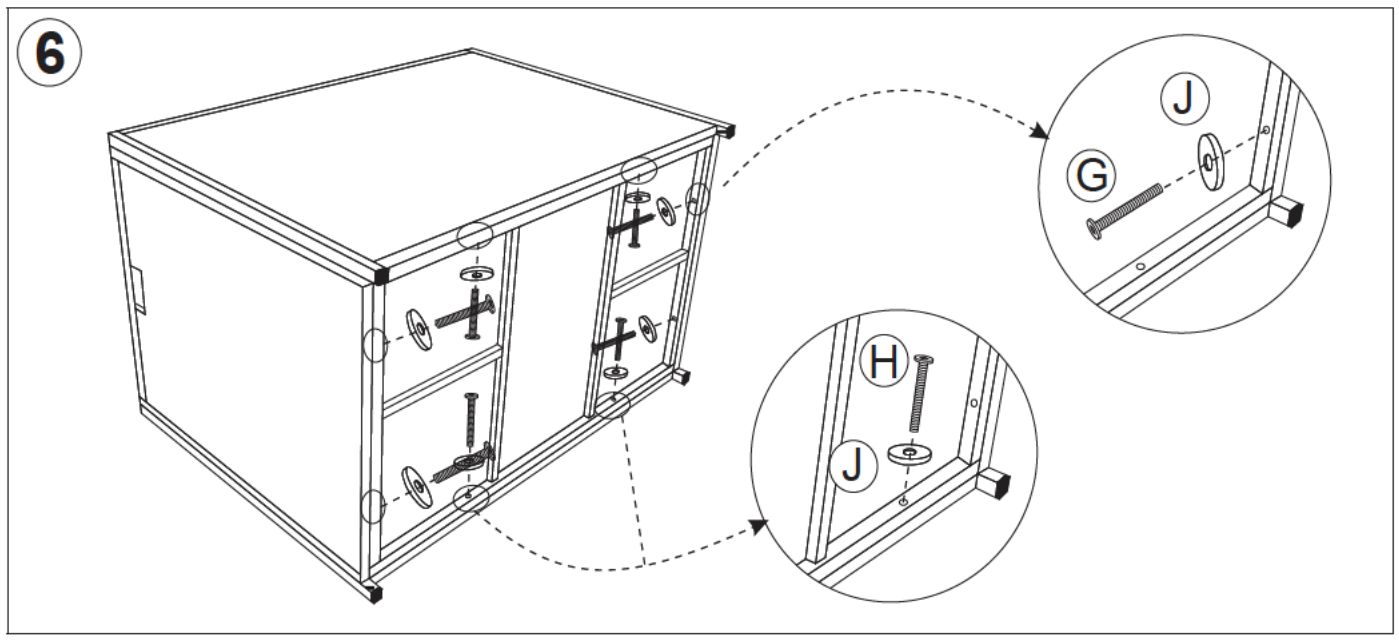
2. Align frame (1) to frame (2) by the pre-drilled threads. Use Allen Key (M) to fasten Bolts (G) with Washers(J). Each frame should have 2 bolts fastened. (Photo 3&4), Do not tighten bolts.



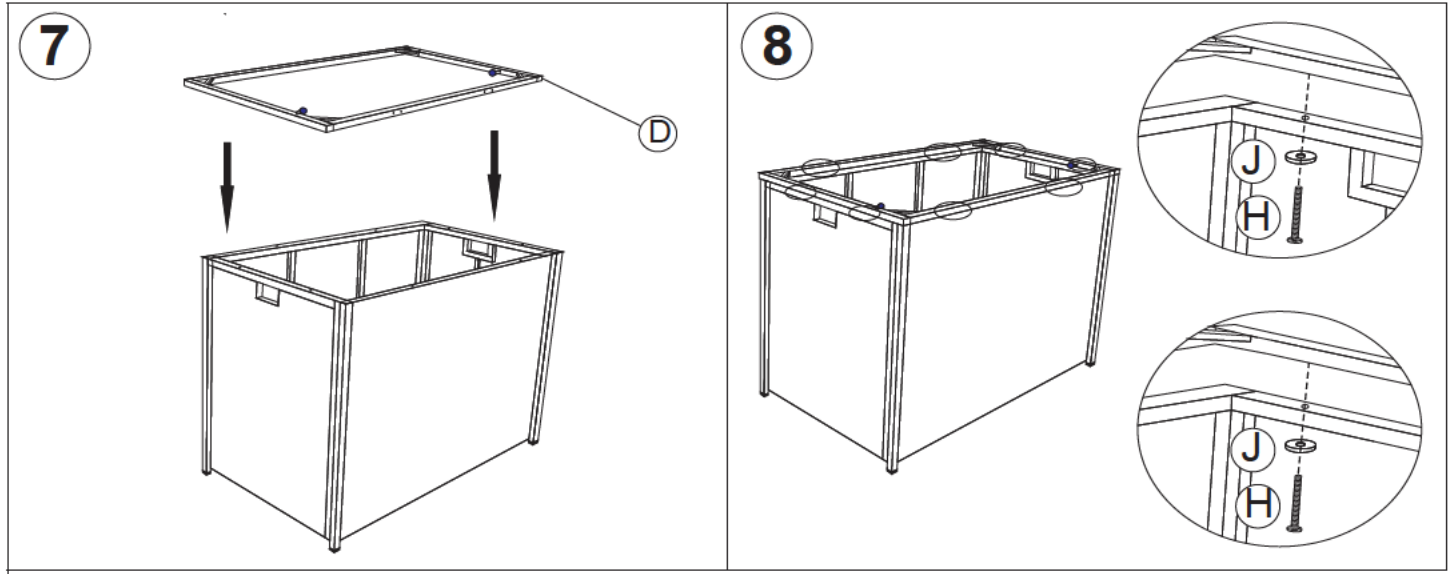
3. Plug bottom frame (C) onto the frame body (4) (photo 5), Do not tighten bolts.



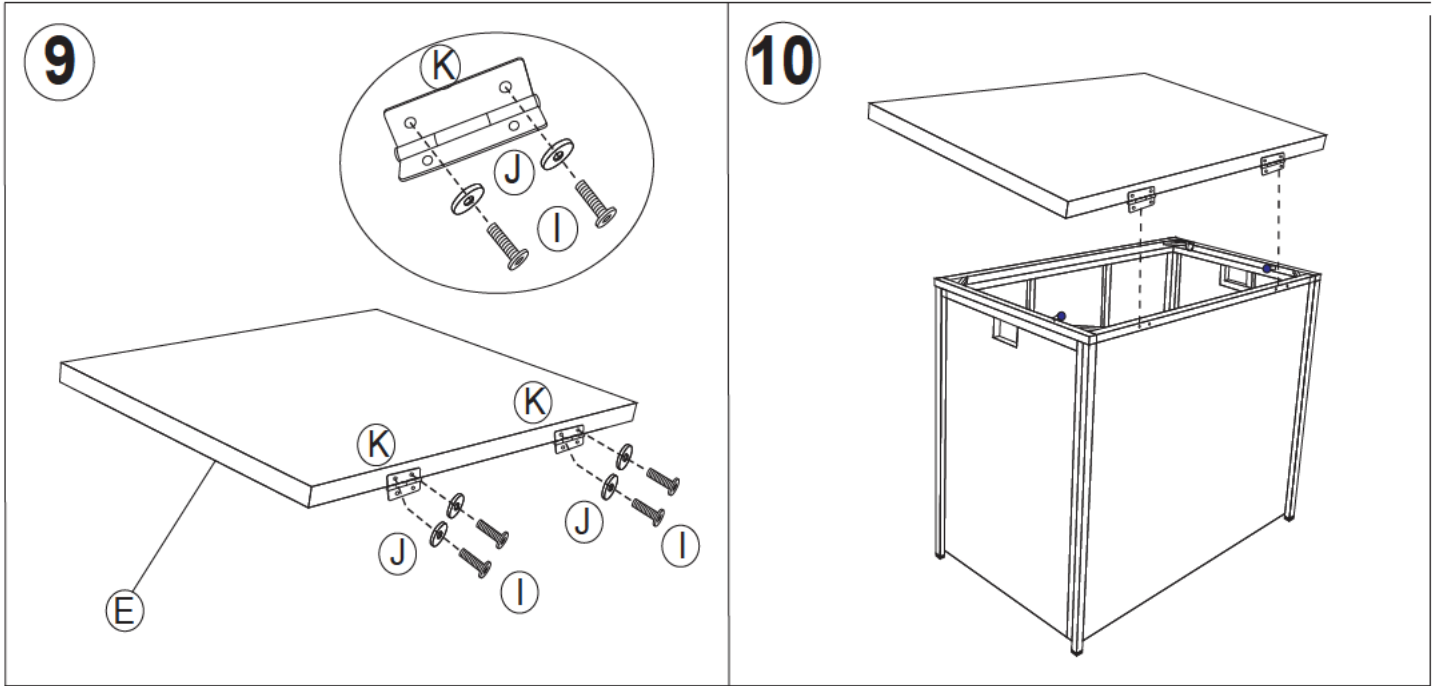
4. Use Allen Key (M) to fasten Bolts with Washers (J). Long side should have 4 bolts (H) fastened and the short side should have 4 bolts (G) fastened. (Photo 6), Do not tighten bolts.



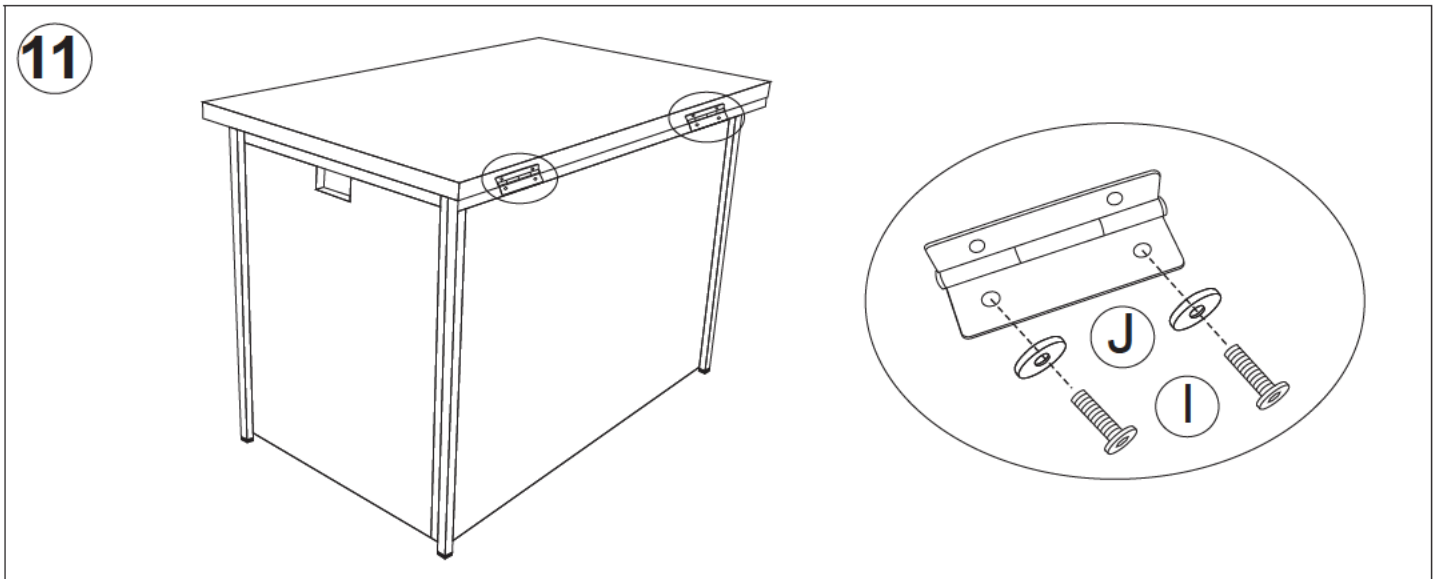
5. Plug the Middle Frame (D) onto the frame body (6) (photo 7). Use Allen Key (M) to fasten Bolts with Washers (J). It should have 8 bolts (H) fastened. (Photo 8), Do not tighten bolts.



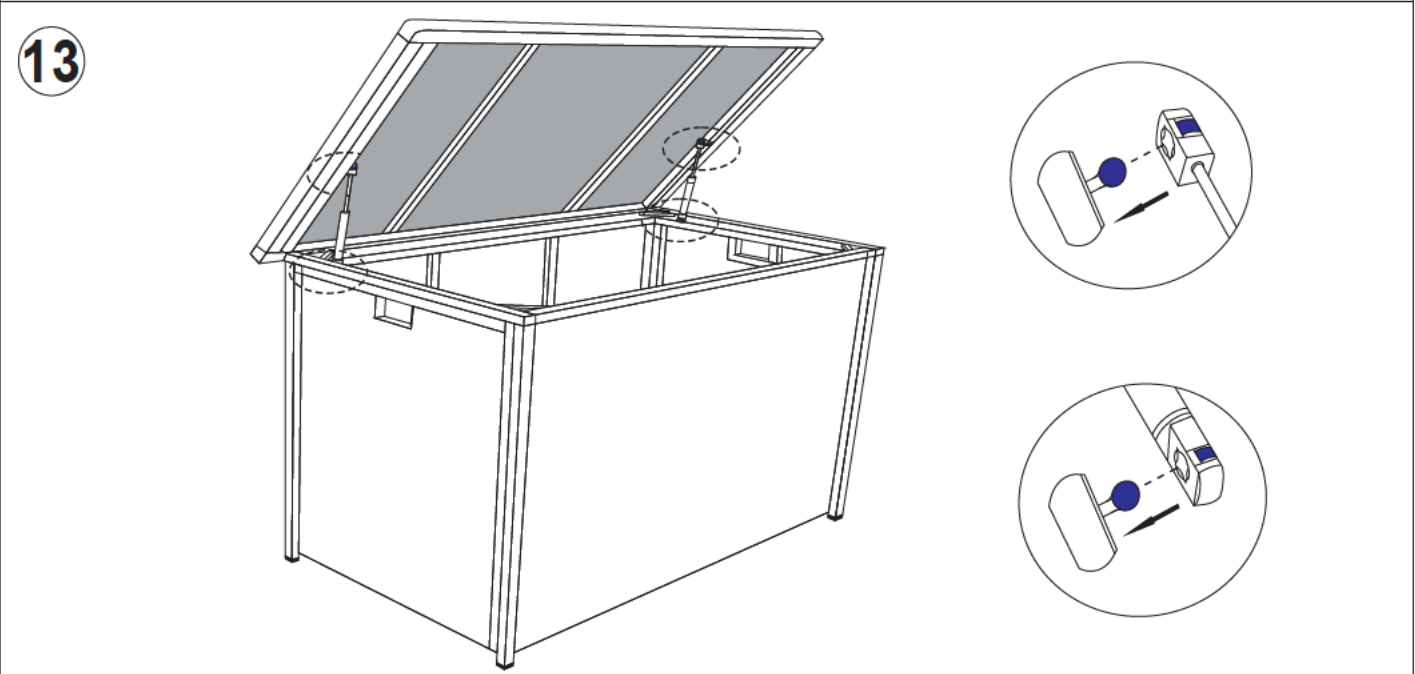
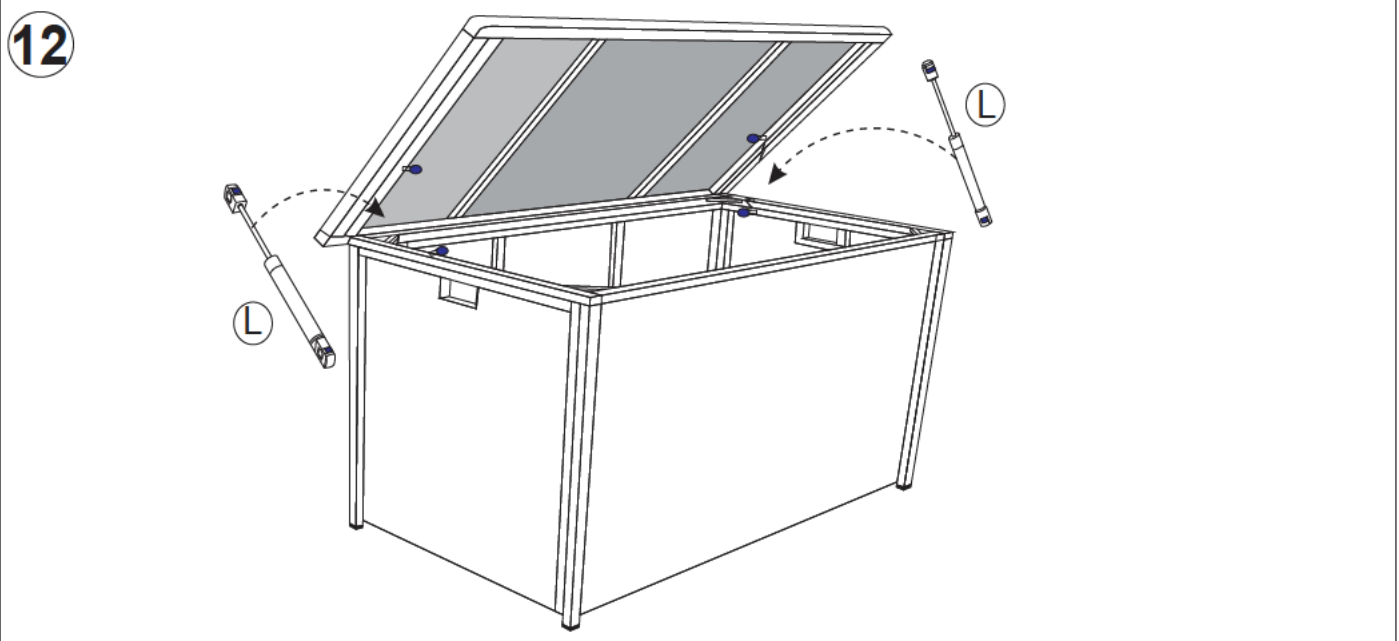
6. Attach the hinge (2pcs) onto the side of the cover (E) (photo 9) and then the long side of frame body. (photo 10), Do not tighten bolts.



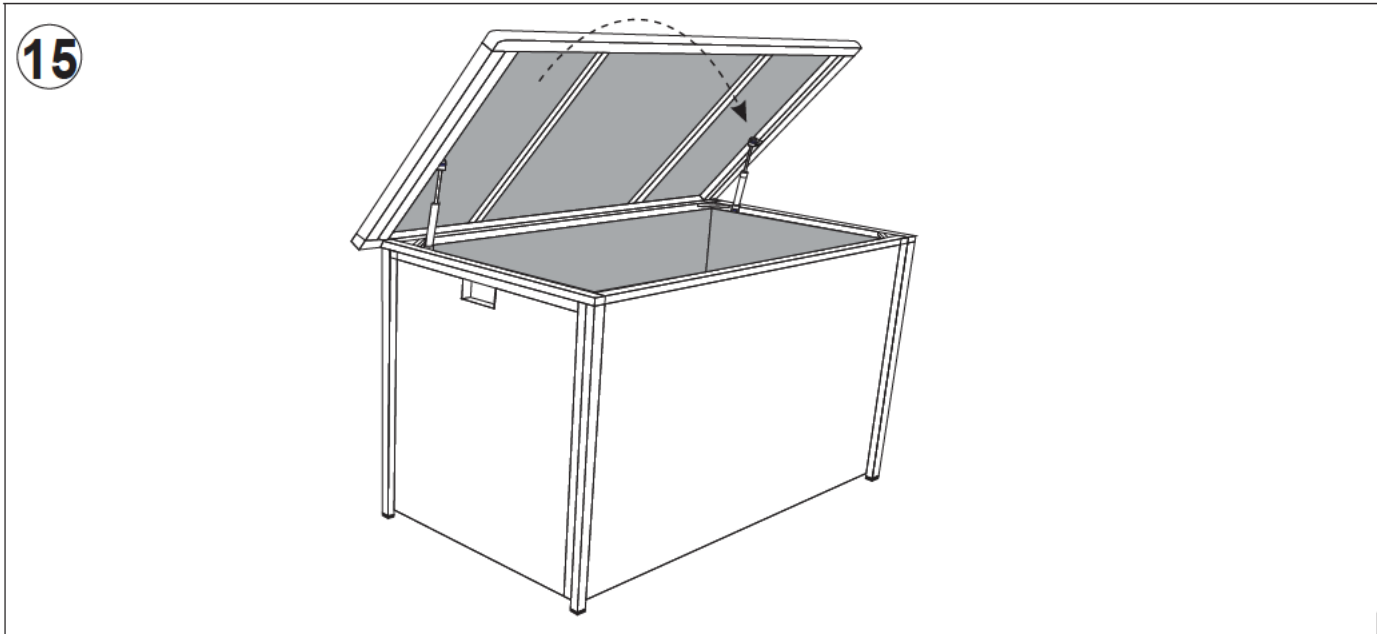
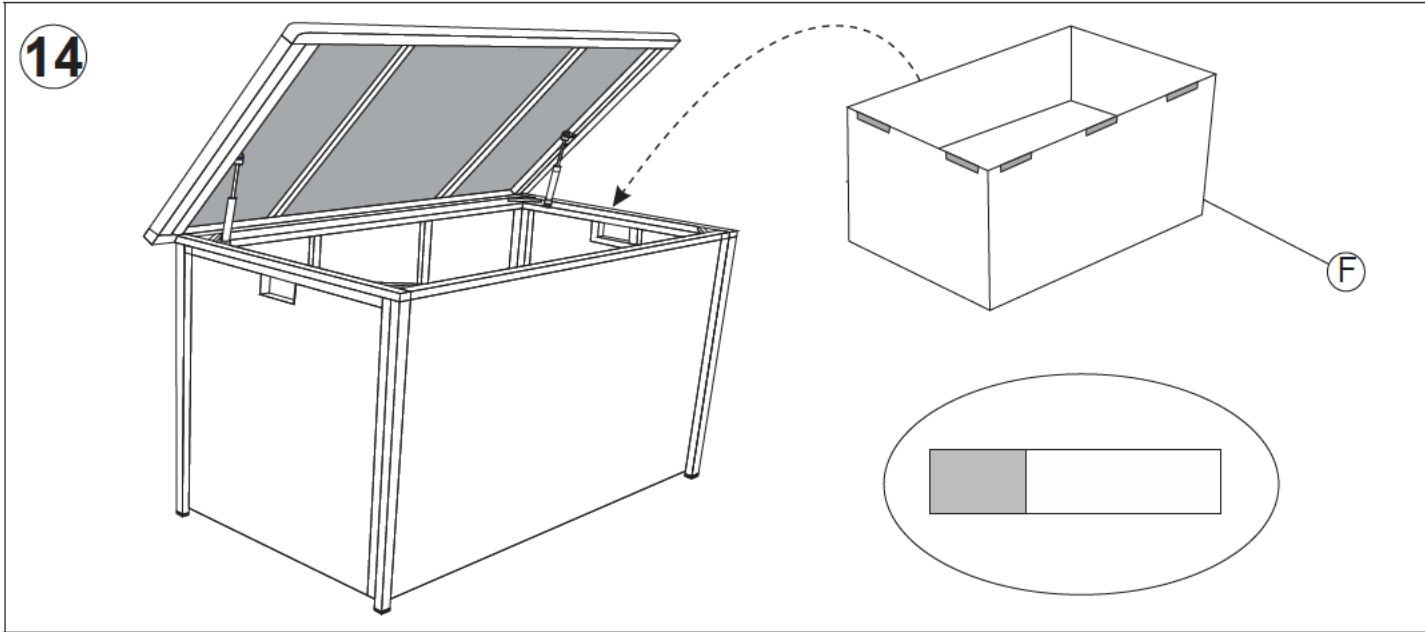
7. Use Allen Key (M) to fasten Bolts (I) with Washers (J) (photo 11), Do not tighten bolts.



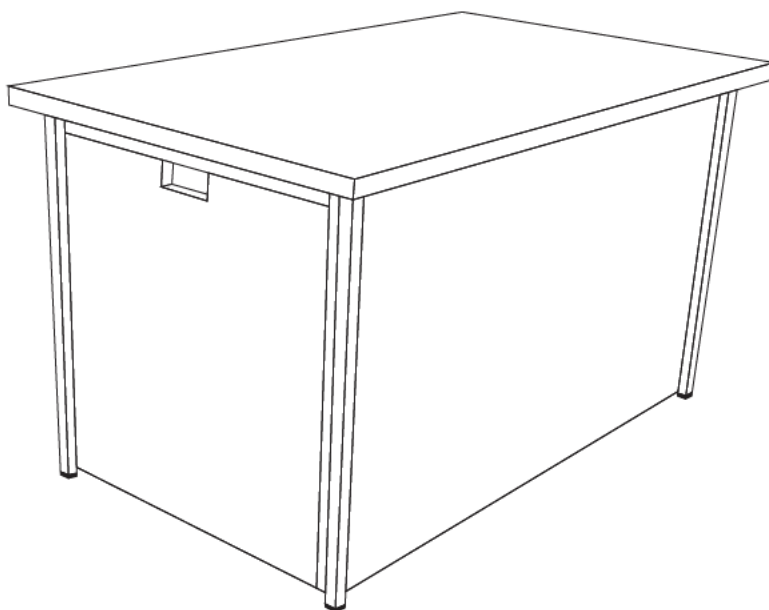
8. Plug Gas spring (2pcs) inside the cover and the frame body (photo 12 & 13). Now Tighten all bolts.



9. Align canvas (F) inside the box. (photo 14 & 15)



16



You have completed assembling the furniture – enjoy!