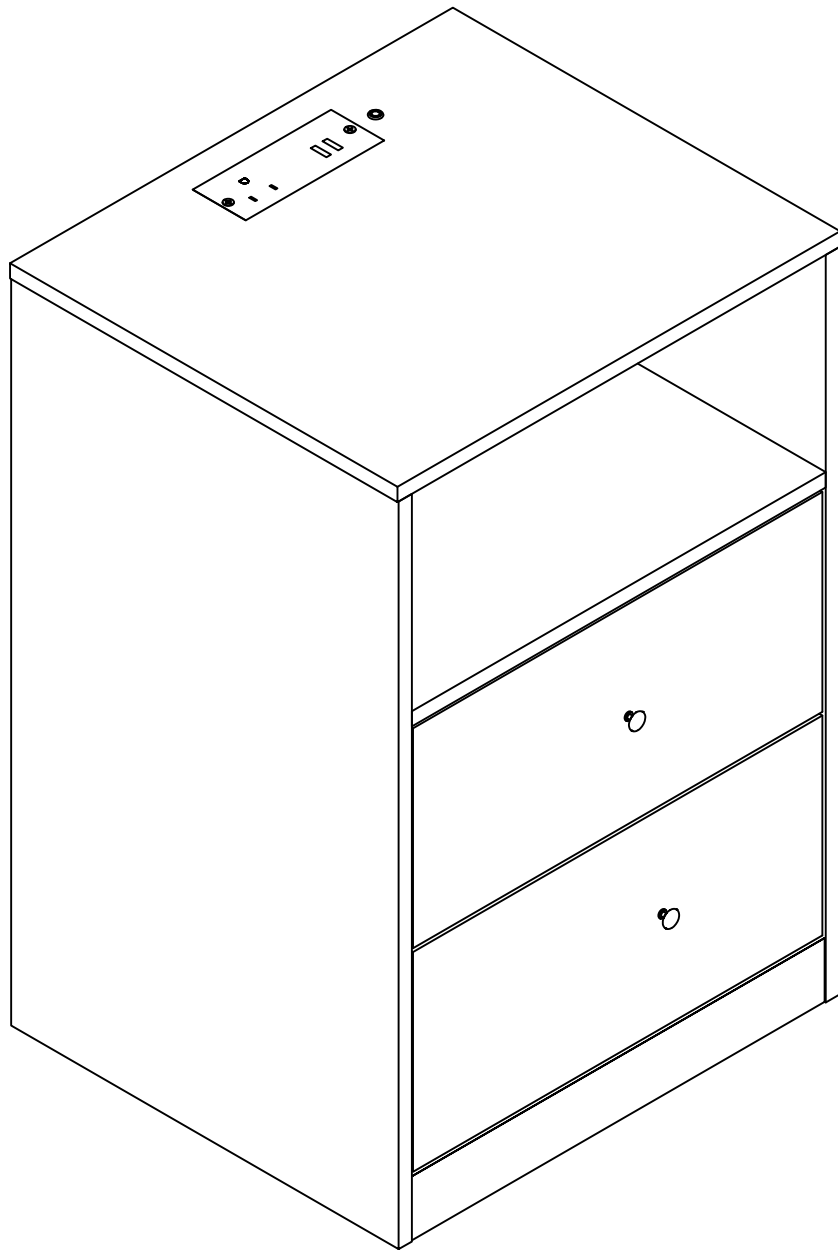
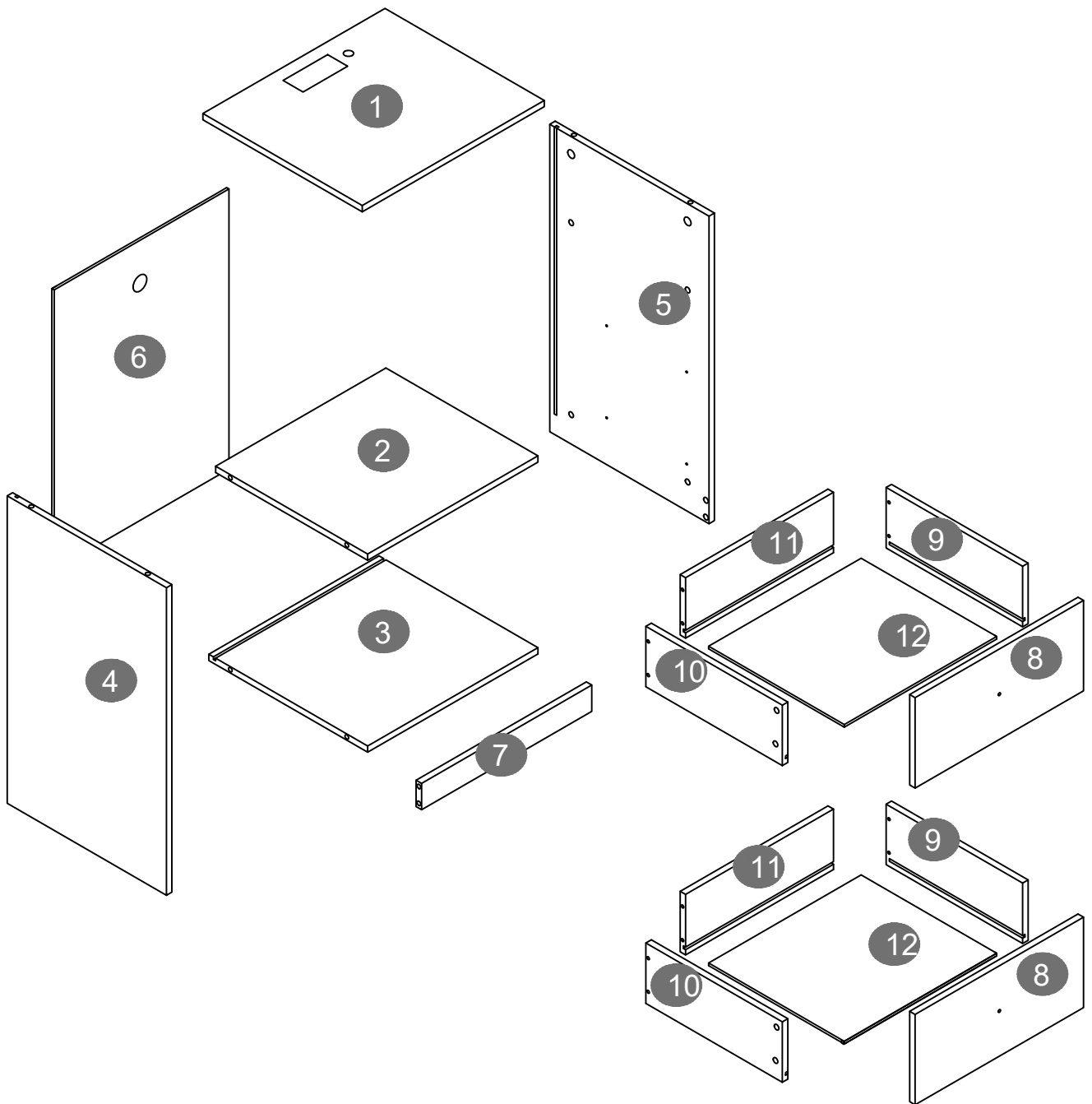


Night Stand



Please read this manual carefully before any operation and keep it properly for future use.

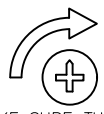
Exploded View



Warnings

ATTENTION:

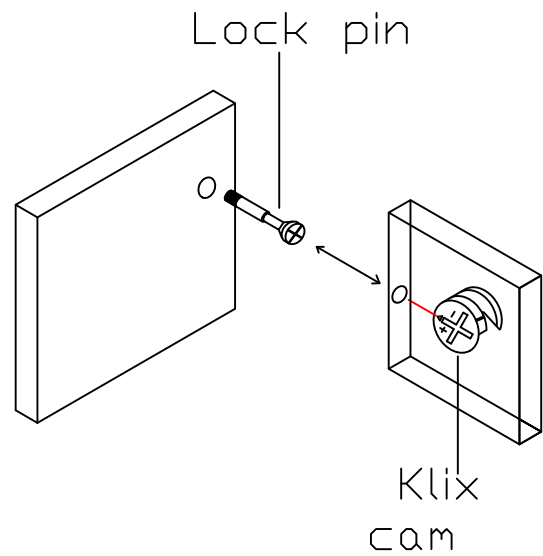
FUNCTION OF KLIX CAM



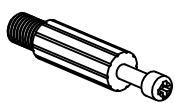

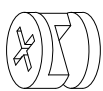
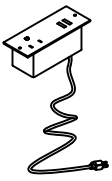
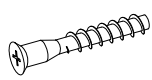

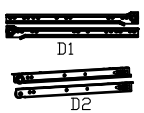
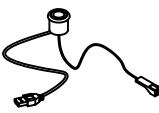

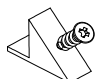
1/2 RIGHT TURN FOR LOCKING

MAKE SURE THE ARROW OVER AGAINST THE TOPSIDE OF CAM LOCK PIN BEFORE INSERTING INTO THE PANEL'S HOLE

IMPORTANT!
After 180° right turn, if there is a gap between the boards, please check whether the cam lock pin is tightened enough.



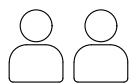
Components List

 <p style="text-align: right;">261.7</p>		
<p>A M6*40(*24+2)</p>	<p>B M4*12(*18+2)</p>	<p>C Ø15*9.5(*24+2)</p>
 <p style="text-align: right;">261.7</p>		 <p>M4*16*2</p>
<p>D *1</p>	<p>E M5*40(*8+2)</p>	<p>F *2</p>
 <p>D1 D2</p>		
<p>G *2</p>	<p>H *1</p>	<p>I *1</p>
		
<p>J (*4+2)</p>		

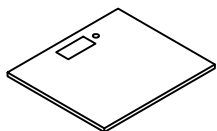
Components List

30 min

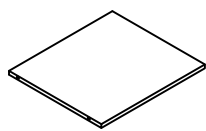
Assemble Time



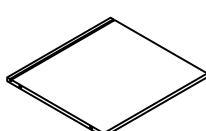
Two People



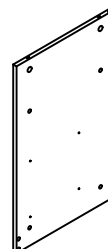
① 1PCS



② 1PCS



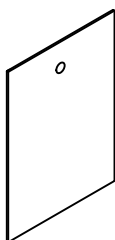
③ 1PCS



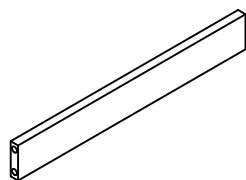
④ 1PCS



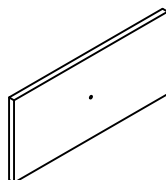
⑤ 1PCS



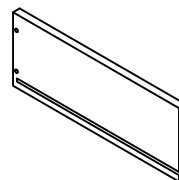
⑥ 1PCS



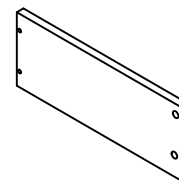
⑦ 1PCS



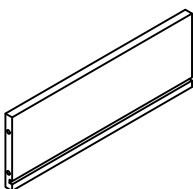
⑧ 2PCS



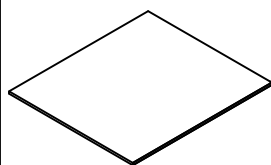
⑨ 2PCS



⑩ 2PCS



⑪ 2PCS



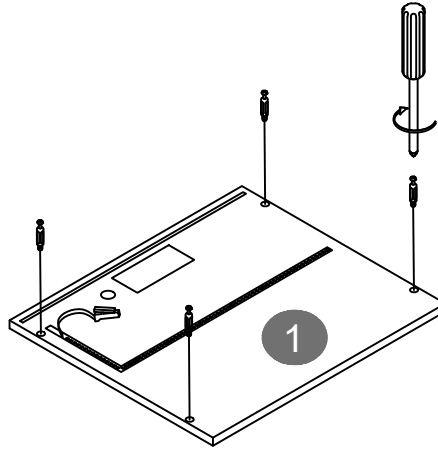
⑫ 2PCS

TIPS

1. When installing the product, use a soft surface (such as carpet or cardboard) to avoid scratching or damaging the surface of product.
2. Please try to use a manual screwdriver instead of electric screw driver. A manual screwdriver can be used to better control the tightness of the screws.
3. Do not use any glue.
4. The product is unstable before it is assembled. Please pay attention to the product installation sequence, and align all screws and screw holes before tightening.
5. The structure of this product can not meet the requirements of climbing.

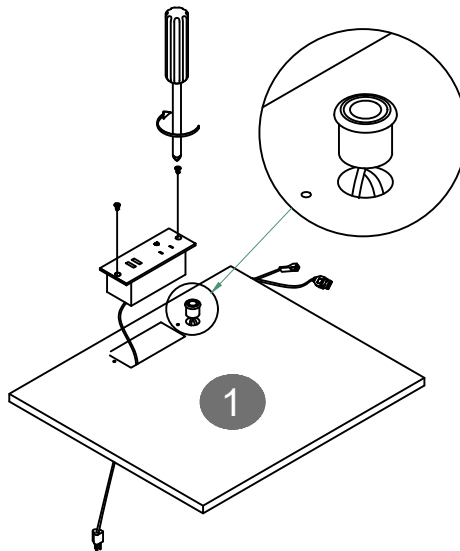
Assembly Instruction

STEP 1 Attach bolts(A) to the board(1).

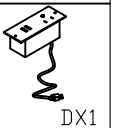


AX4

STEP 2 Attach the switch (D) and accessory(H) to the board(1) using bolts(B).



BX2



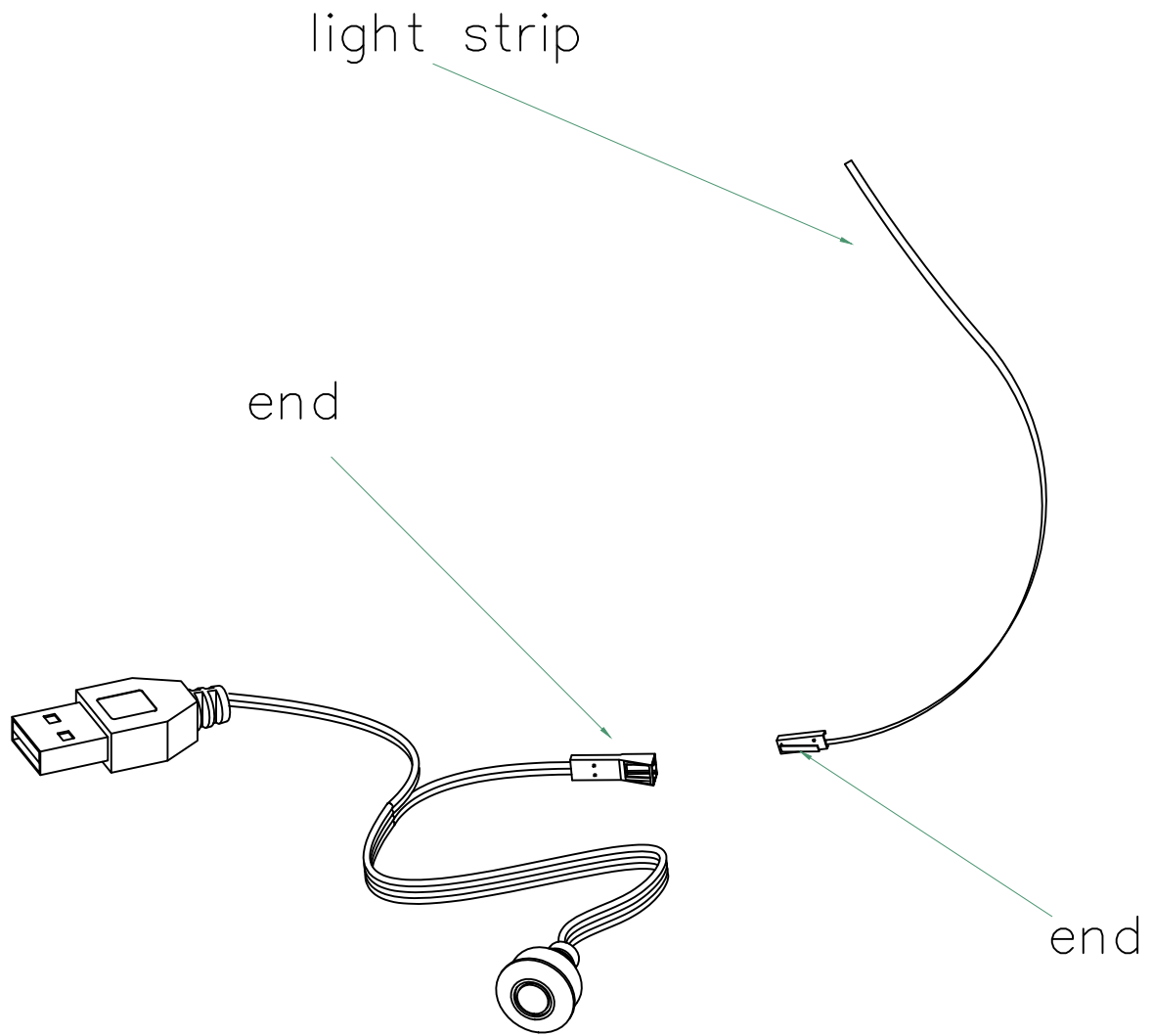
DX1



HX1

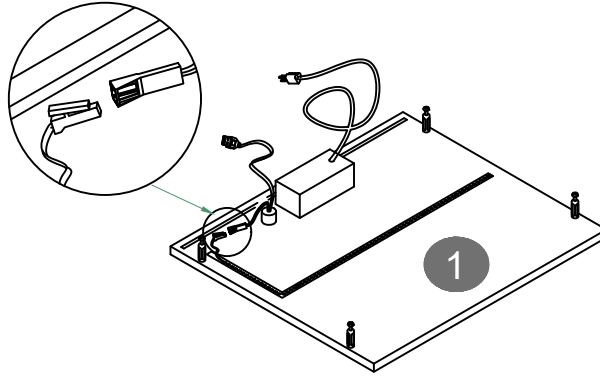
Assembly Instruction

STEP 3 Attach the end of switch and the of the cabinet.

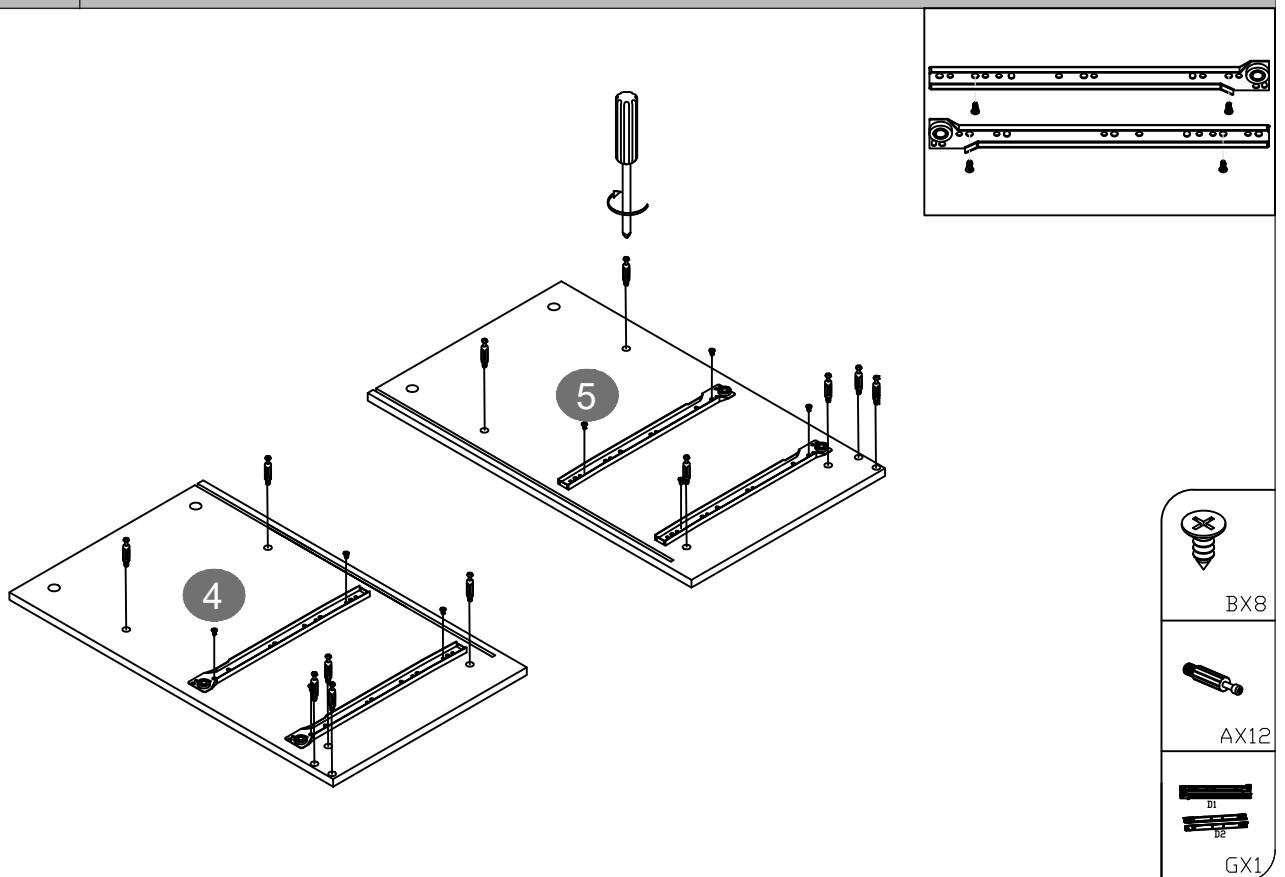


Assembly Instruction

STEP 4 Attach the end of switch and the of the cabinet.

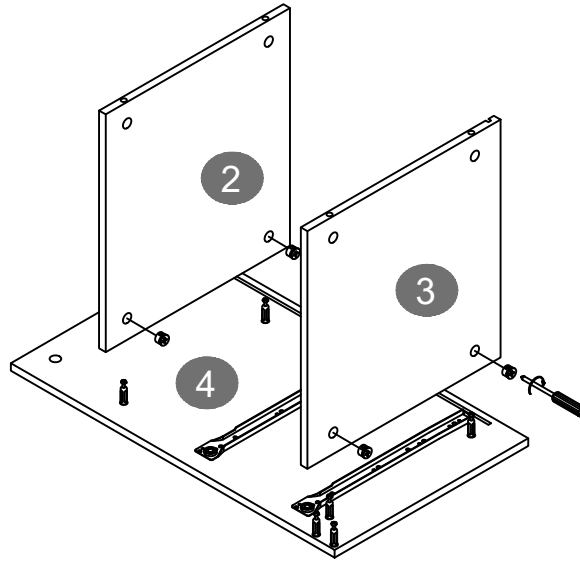


STEP 5 Attach bolts(A&G&B) to the boards(4&5).

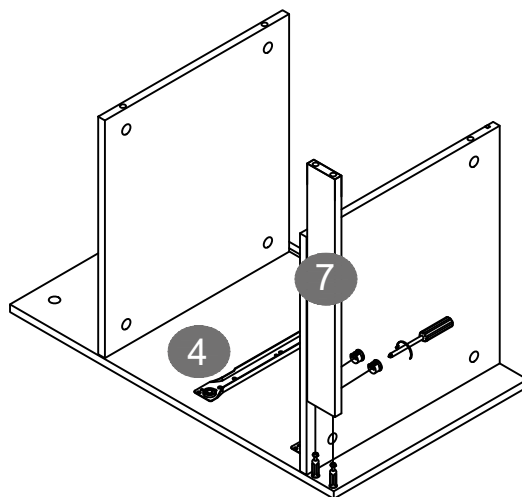


Assembly Instruction

STEP 6 Attach boards(2&3) to the board(4) using cam lock (C).

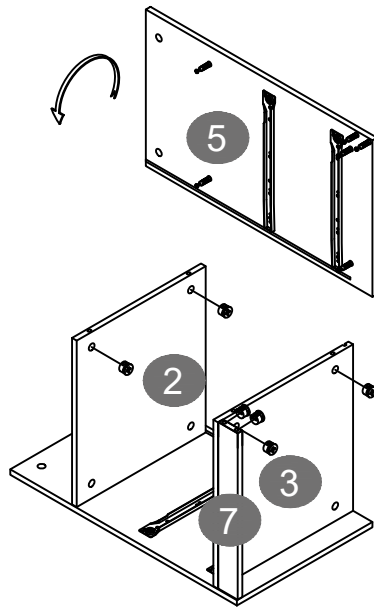


STEP 7 Attach board(7) to the board(4) using cam lock(C).

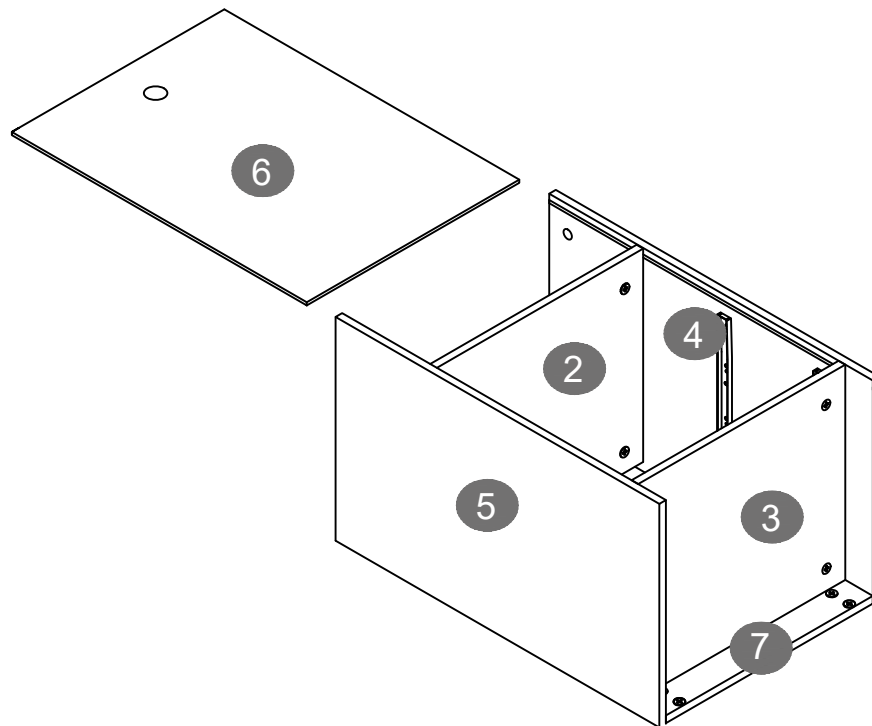


Assembly Instruction

STEP 8 Attach board(5) to the boards(2,3,7) using cam lock (C).

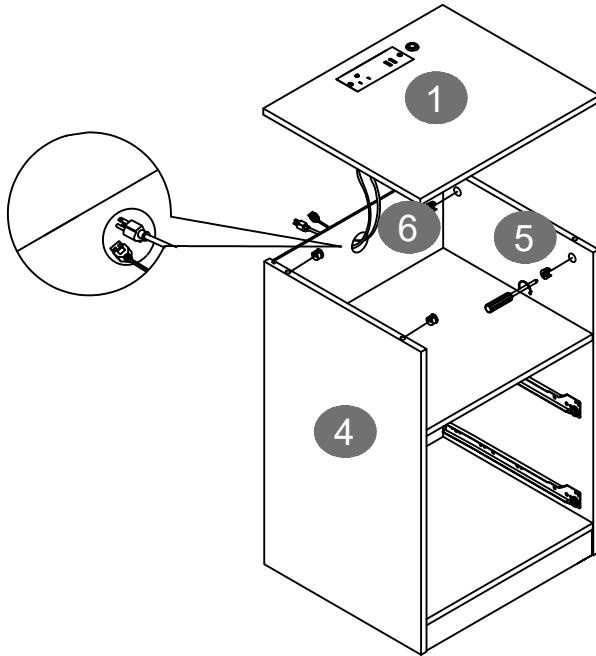


STEP 9 Attach the board(6) to the boards(4&5)

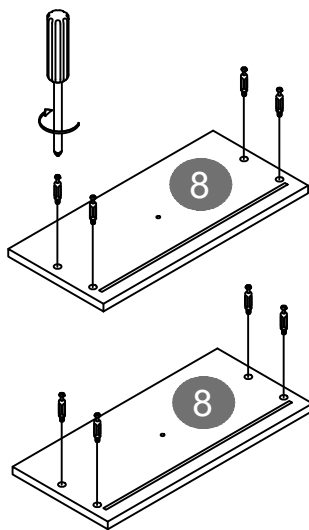


Assembly Instruction

STEP 10 Attach the board(1) to the boards(4&5) using cam lock (C), then pass the connector through the round hole of board(6).

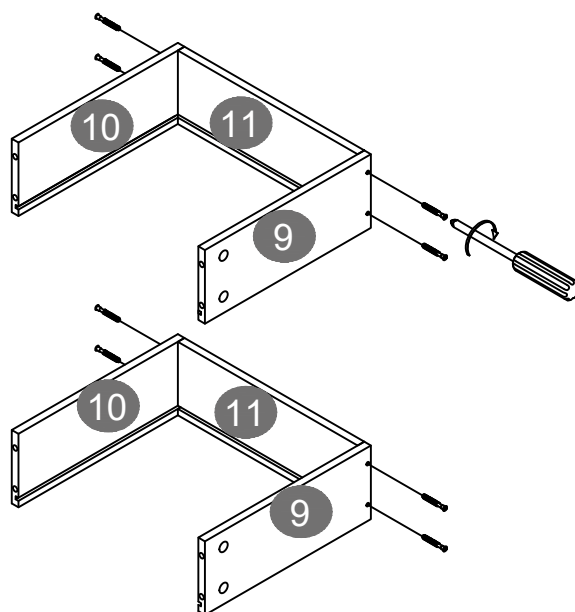


STEP 11 Install the bolts(A) to the boards(8).



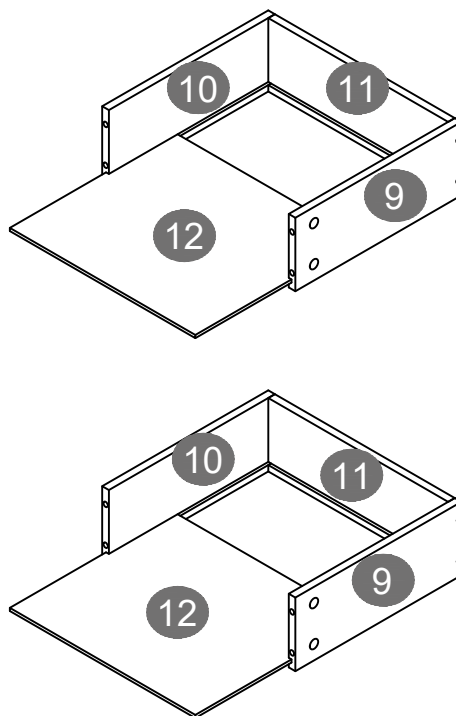
Assembly Instruction

STEP 12 Attach boards(11) to the boards (9&10)using bolts(E).



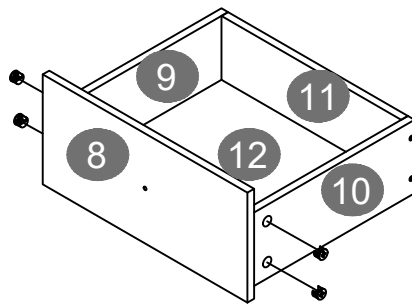
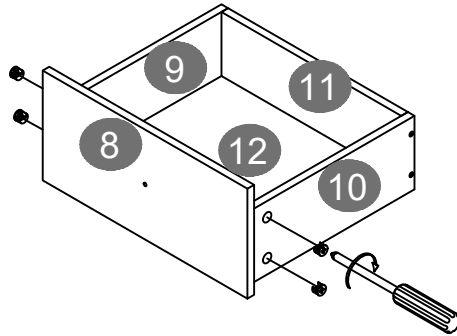
EX8

STEP 13 Slide the board(12) to the slots of the boards(9&10).



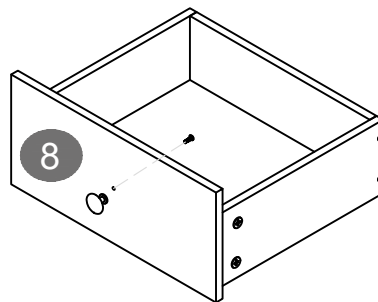
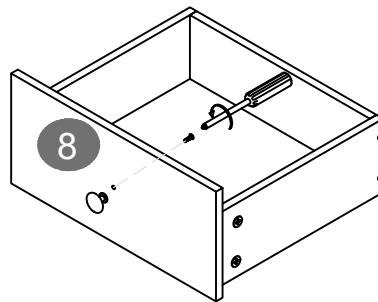
Assembly Instruction

STEP 14 Put the cam lock to the hole of the boards(9&10), then attach the board(8) to them, and lock the cam lock.



CX8

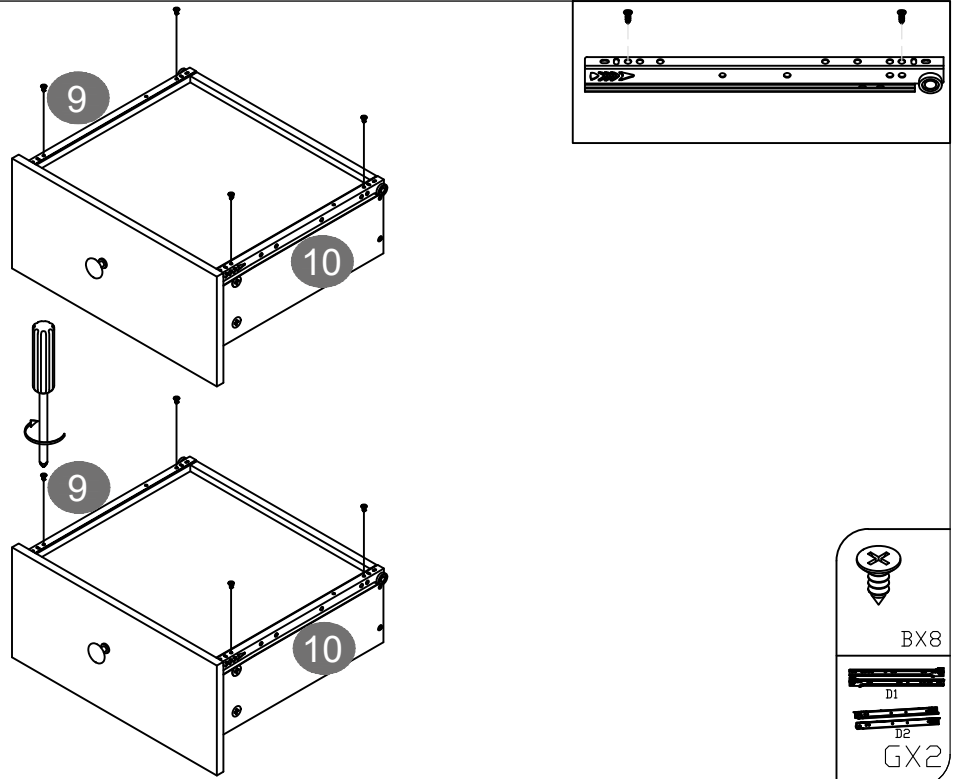
STEP 15 Attach the handle(F) to the board(8).



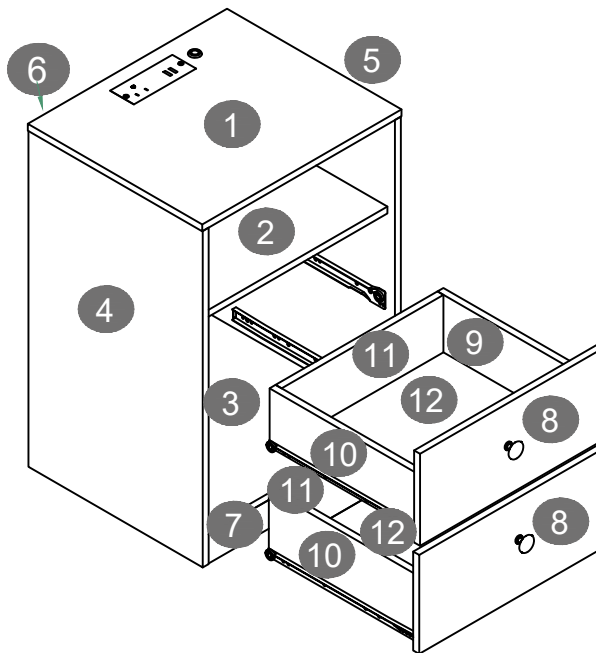
FX2

Assembly Instruction

STEP 16 Attach the rail(G) to the drawer using bolts(B).



STEP 17 Attach the connection(J) inside the body of cabinet, then slide the drawers to the cabinet



Assembly Instruction

STEP 18 Press the accessories(J) into the slot among the boards (4,5,6),then lock using screwdriver.

