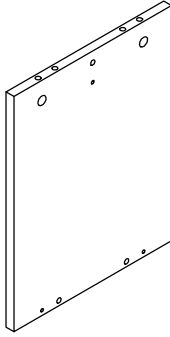
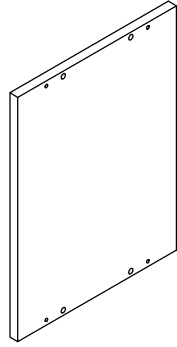


Ax1



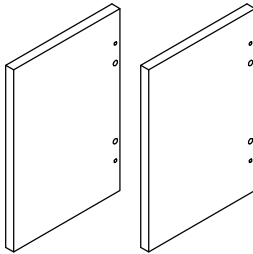
Bx1



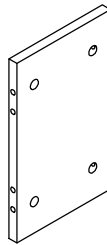
Cx1



Dx1



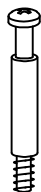
Ex1



Fx2



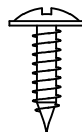
Gx14



Hx14



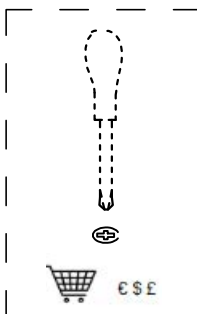
Ix14



Jx6



Kx6



mm
inch

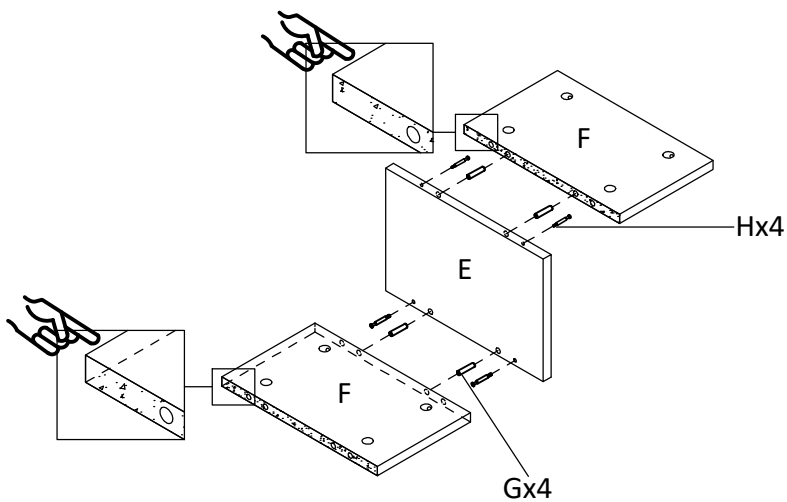
x2

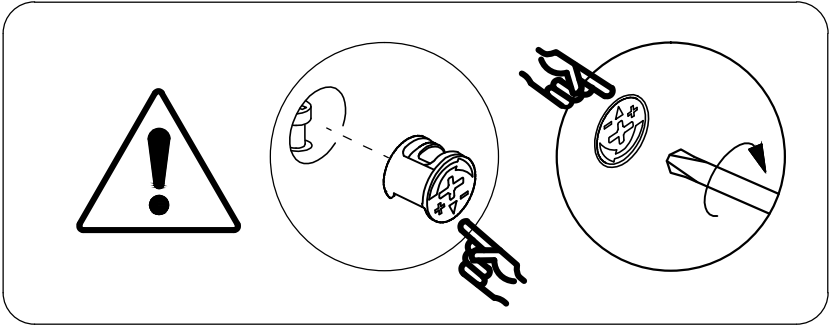
①

Gx4



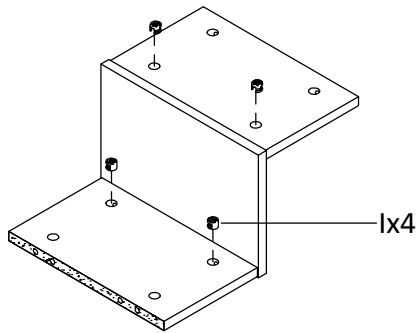
Hx4





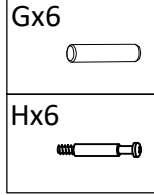
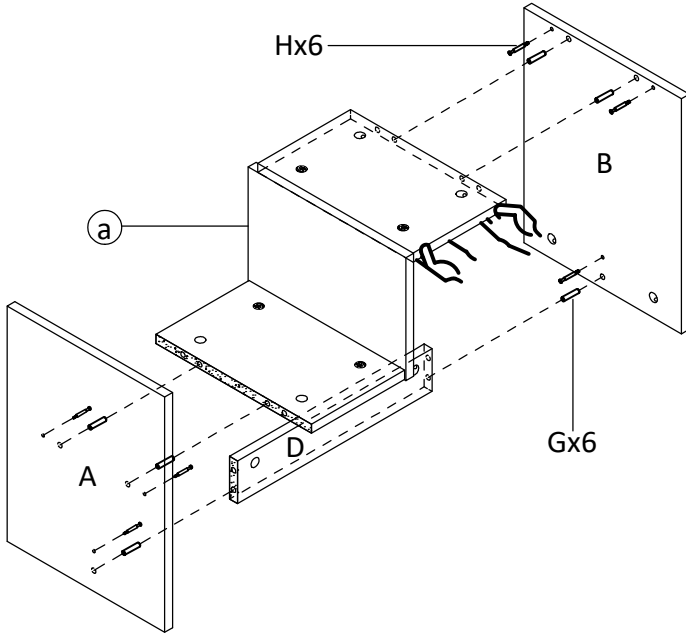
2

1x4

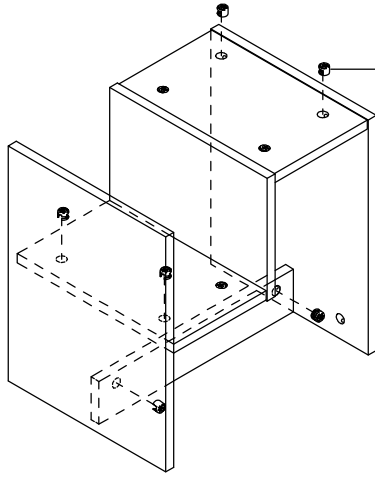


a

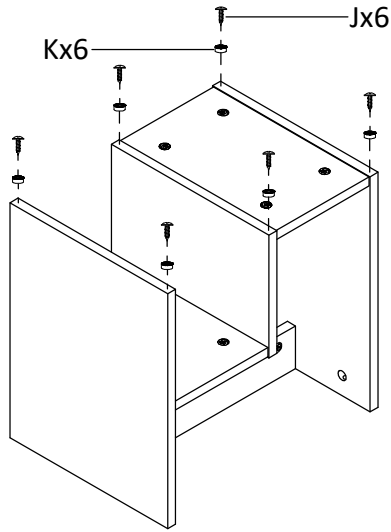
3



4



5



Jx6

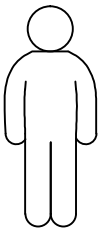
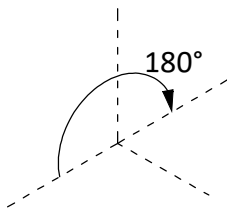
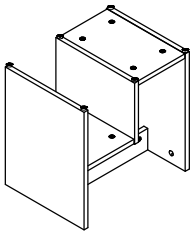


Kx6

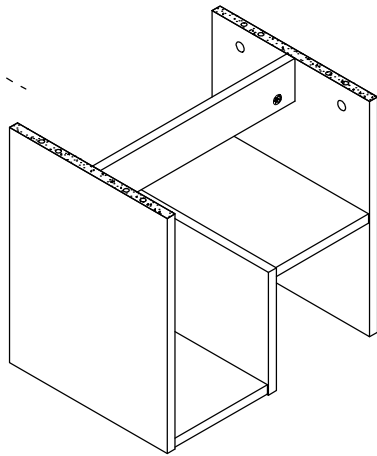


b

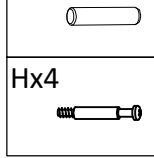
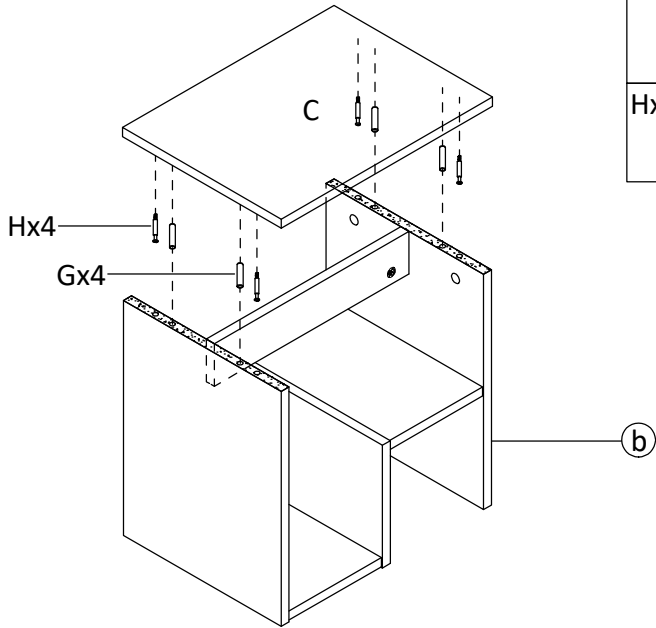
6



x2



7



8

