

ASSEMBLY INSTRUCTION

SELF ASSEMBLY



1 Person build
Estimated build time
15 min


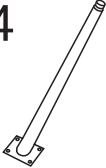


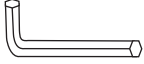


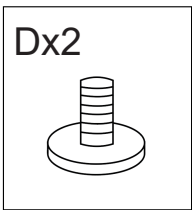
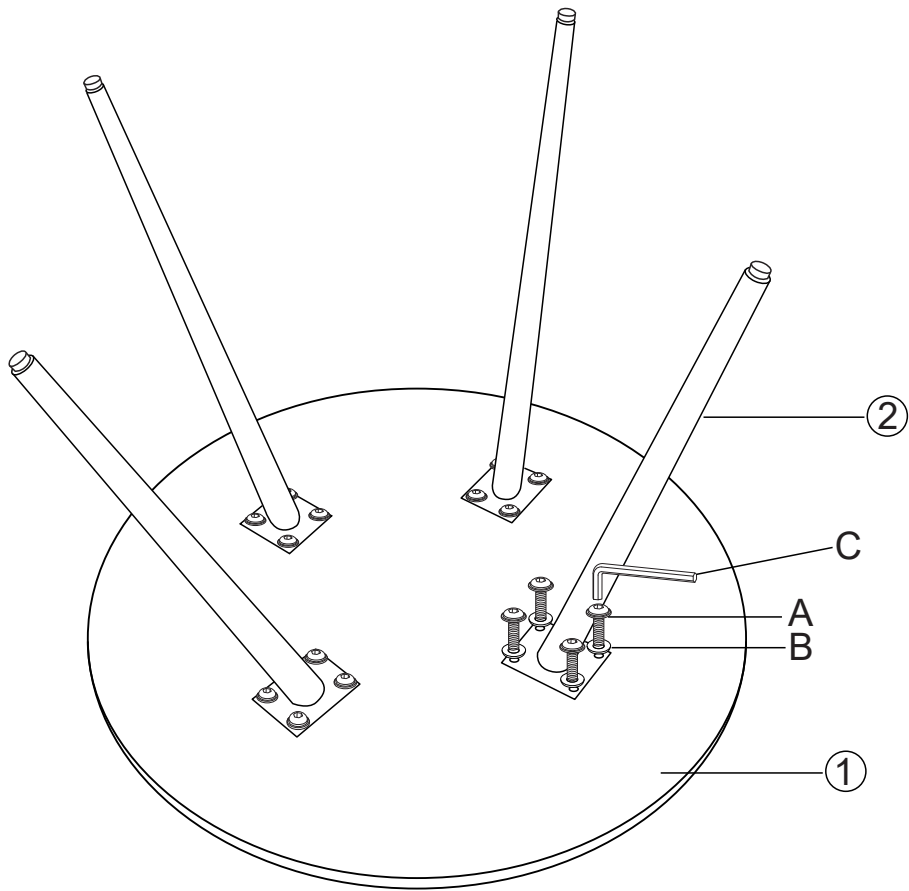
CAUTION!

It is the responsibility of the persons assembling the furniture to properly install all components and hardware as specified in these instructions. Please follow strictly the order of assembly shown in these instructions.



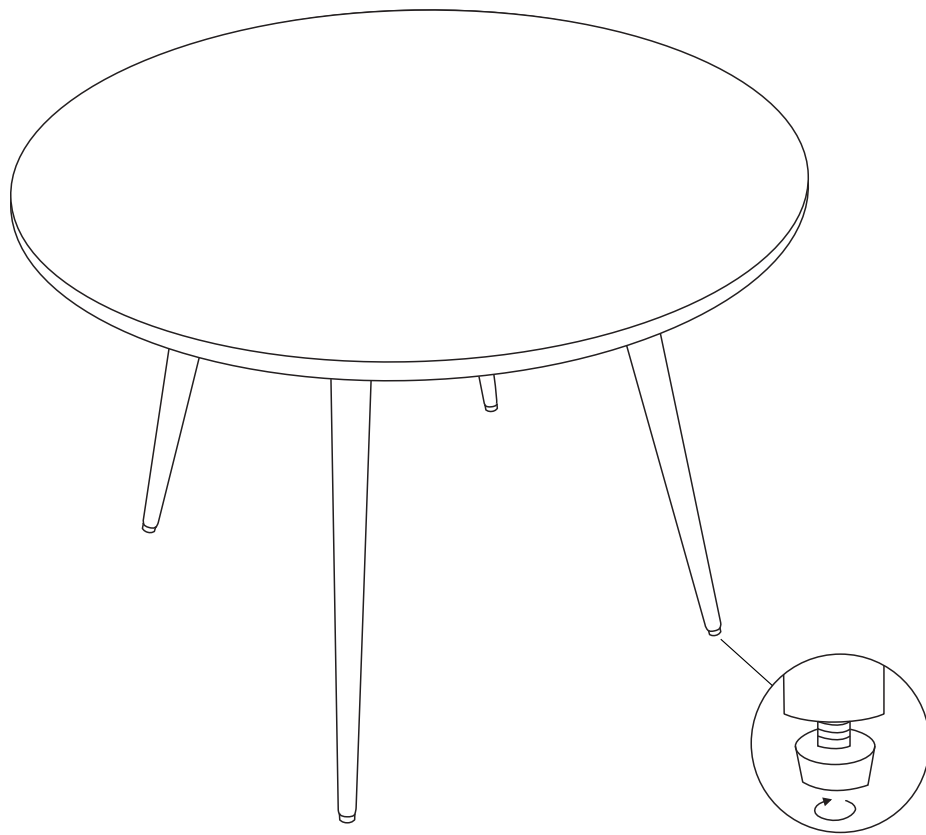
1

① x1 	② x4 	
Ax16  8x20mm	Bx16  8x22x1.5mm	Cx1  6mm



Includes 2 additional adjustable leg caps, provided as spare parts.

2



When flipping a heavy table, please slowly turn the table from an upside-down position to a side position, then to an upright position. Ensure gentle handling, and avoid directly pulling the legs to prevent damaging the tabletop.