























Assembly Instructions

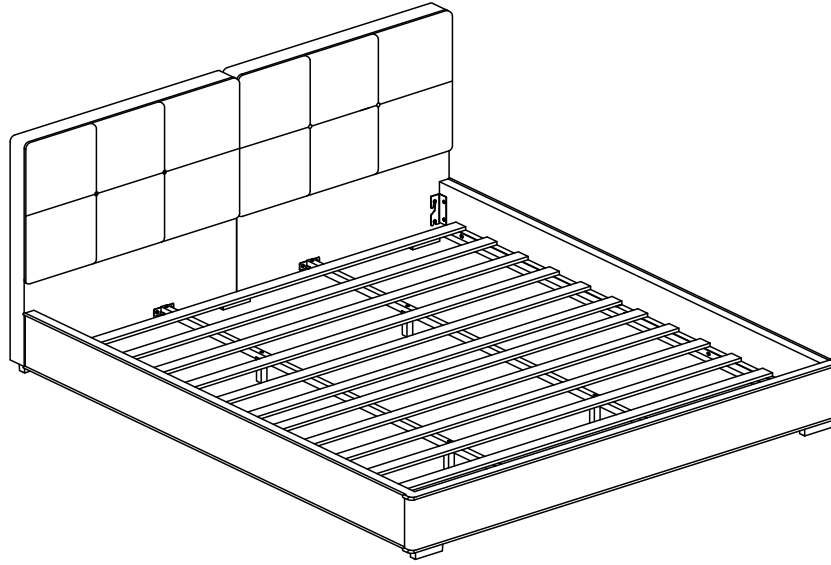
Caution: You must read this before you proceed

Care & Maintenance

 	<ul style="list-style-type: none">• Not for commercial use. For residential use only.
 	<ul style="list-style-type: none">• Furniture may scratch floors. We recommend using furniture pads to protect your floors.
 	<ul style="list-style-type: none">• Do not put hot items directly on furniture surface.
 	<ul style="list-style-type: none">• Do not clean furniture with harsh cleansers or polish.
 	<ul style="list-style-type: none">• Do not place furniture under direct sunlight.
 	<ul style="list-style-type: none">• Do not place furniture near heating or cooling vents.
 	<ul style="list-style-type: none">• Do not write on furniture without a padded barrier to protect the surface.
 	<ul style="list-style-type: none">• Do not place furniture outside. For indoor use only.
 	<ul style="list-style-type: none">• Stains may be removed with mild soap solution and damp cloth.
 	<ul style="list-style-type: none">• Children should not climb or jump on the furniture.
 	<ul style="list-style-type: none">• Dust and pick-up spills using a clean, non-colored, lint-free cloth.


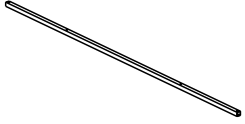
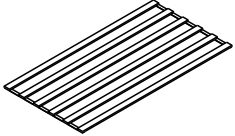
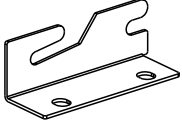
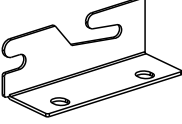
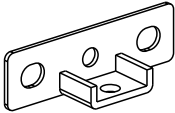
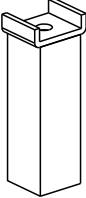
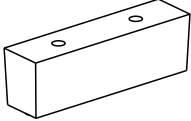
Please look in the box for hardware packs and legs.

Bed

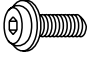



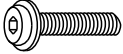
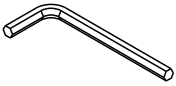



Part List

Label	Picture	Description	QTY
①		Headboard(L)	1
②		Headboard(R)	1
③		Footboard	1
④		Side rail(L)	1
⑤		Side rail(R)	1

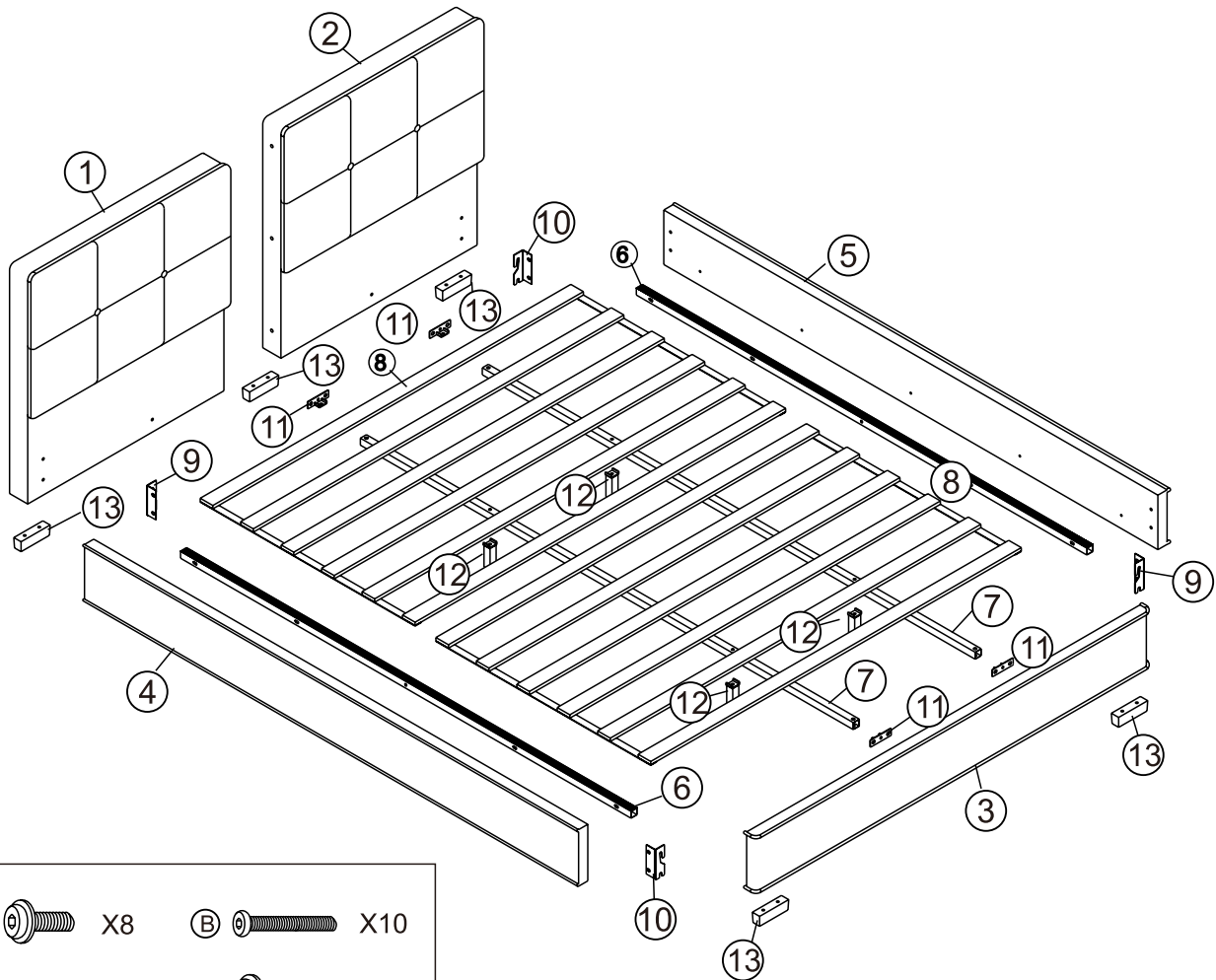
⑥		Side rail support bar	2
⑦		Center support bar	2
⑧		Slats	2
⑨		Hinge	2
⑩		Hinge	2
⑪		Center support bar fittings	4
⑫		Middle support legs	4
⑬		Bed legs	5

Hardware

Label	Picture	Description	QTY
A		Bolts (M8x25mm)	8
B		Bolts (M6x55mm)	10
C		Bolts (M6x35mm)	10
D		Bolts (M8x20mm)	16
E		Bolts (M8x40mm)	11
F		Allen Wrench(M5)	1
G		Allen Wrench(M4)	1

Assembly Preparation

Before Beginning assembly:



- Read instructions, cover to cover



- Have 2 adults on hand for assembly



- Do not assemble on flooring or carpet



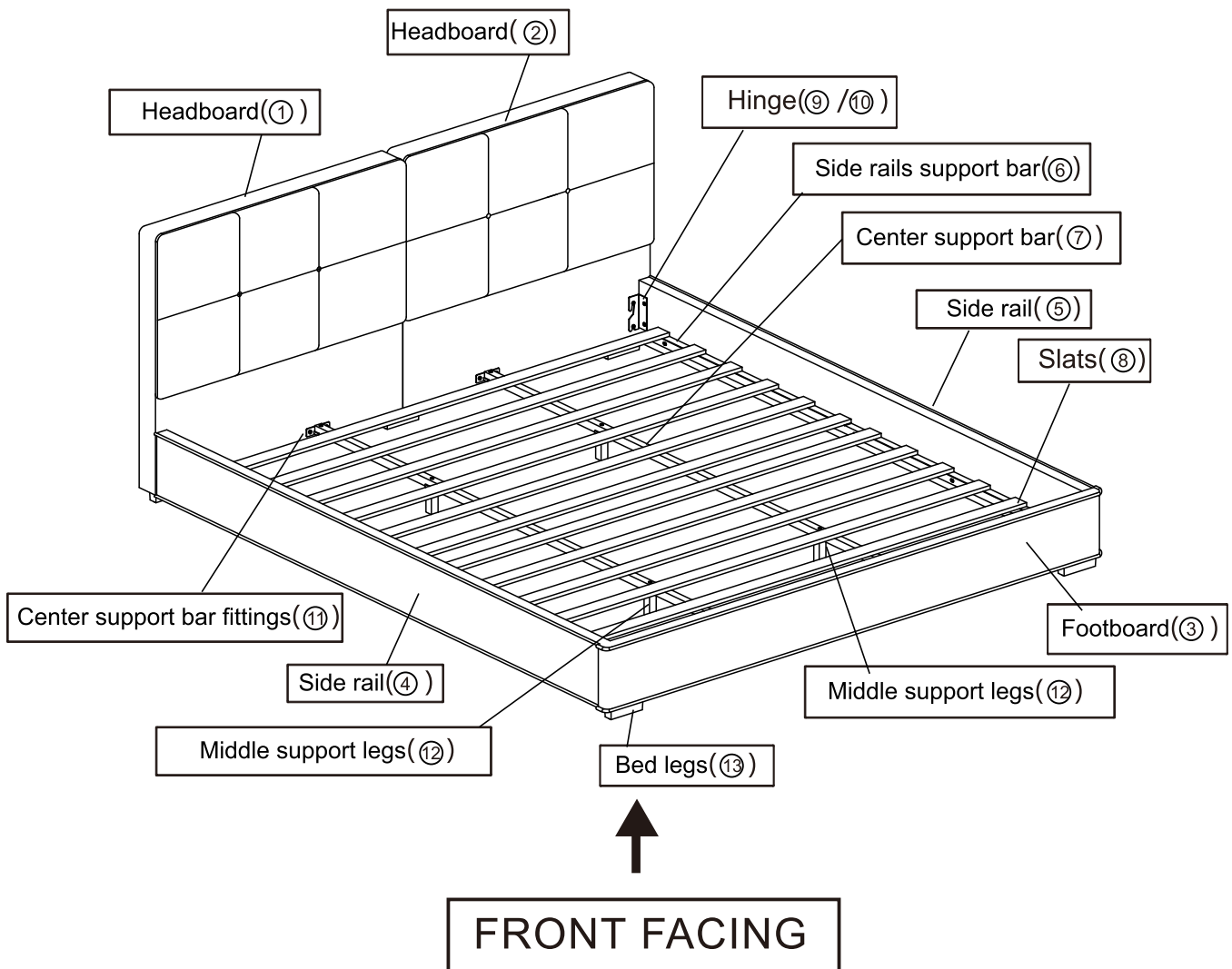
- Assemble on a clean non-marring surface (packing foam)-



- Save all packaging until finished

Assembly Steps

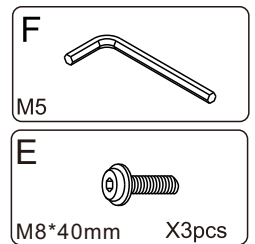
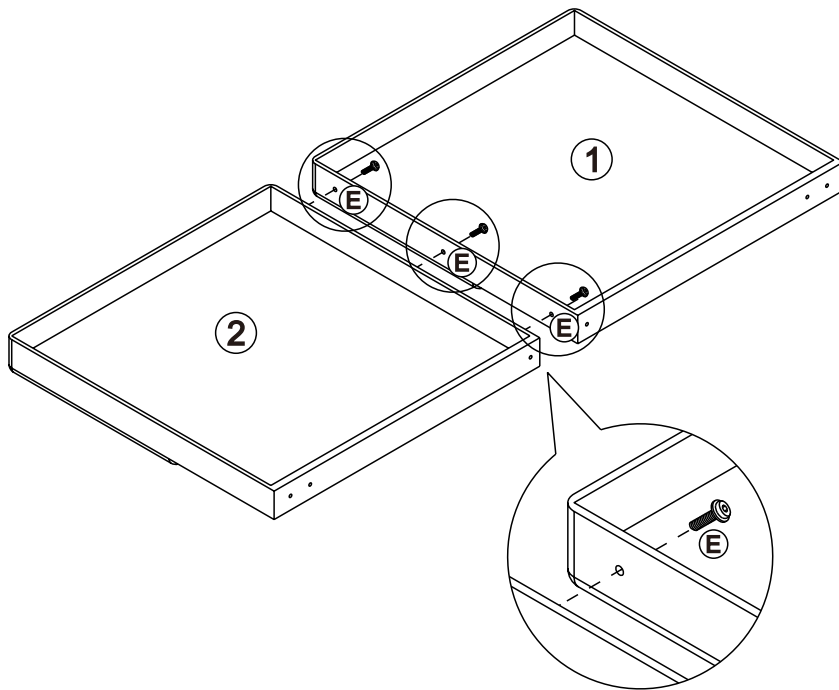
OVERVIEW



This Bed have multiple parts and may require up to 60 minutes to assemble. To give you an overview of the Bed parts, the above picture is to help you put the various parts into perspective. Please read through the instructions below to familiarise yourself with the parts and steps before assembly.

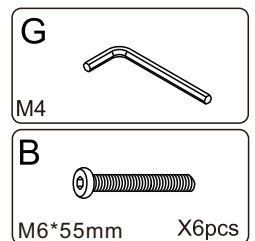
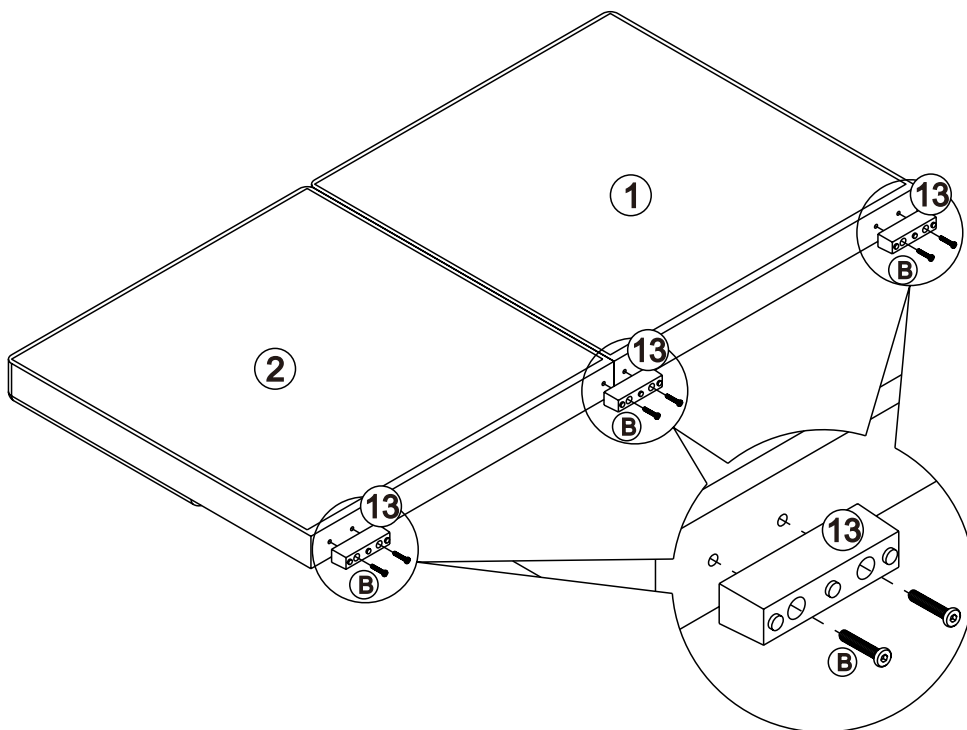
Note: It is recommended that you have an adult partner to assist during the entire assembly process.

Step 1



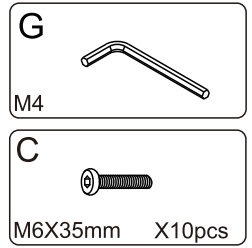
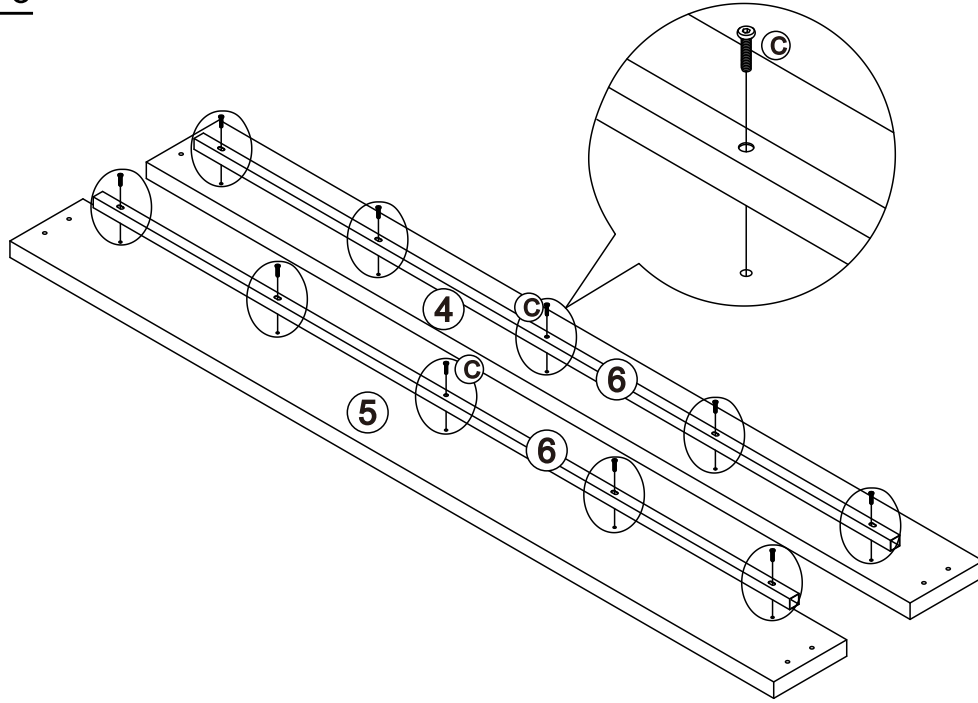
Attach the Headboard (①) to Headboard (②) With Bolts (Ⓔ) by using Allen Wrench (Ⓕ) .
(First unzip the Headboard 1 and then assemble. Zip the zipper back on after assembly.)

Step 2



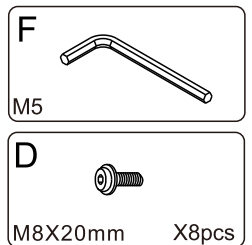
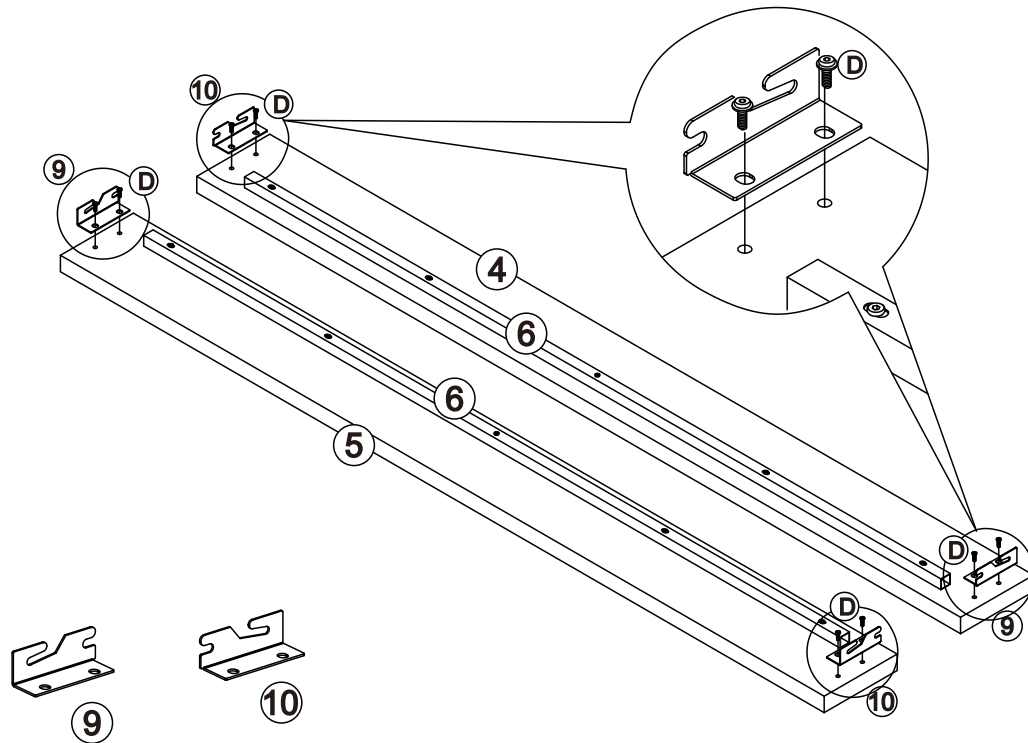
Attach the Bed legs (⑬) to Headboard (①/②) with Bolts (Ⓑ) by using Allen Wrench (Ⓖ) .

Step 3



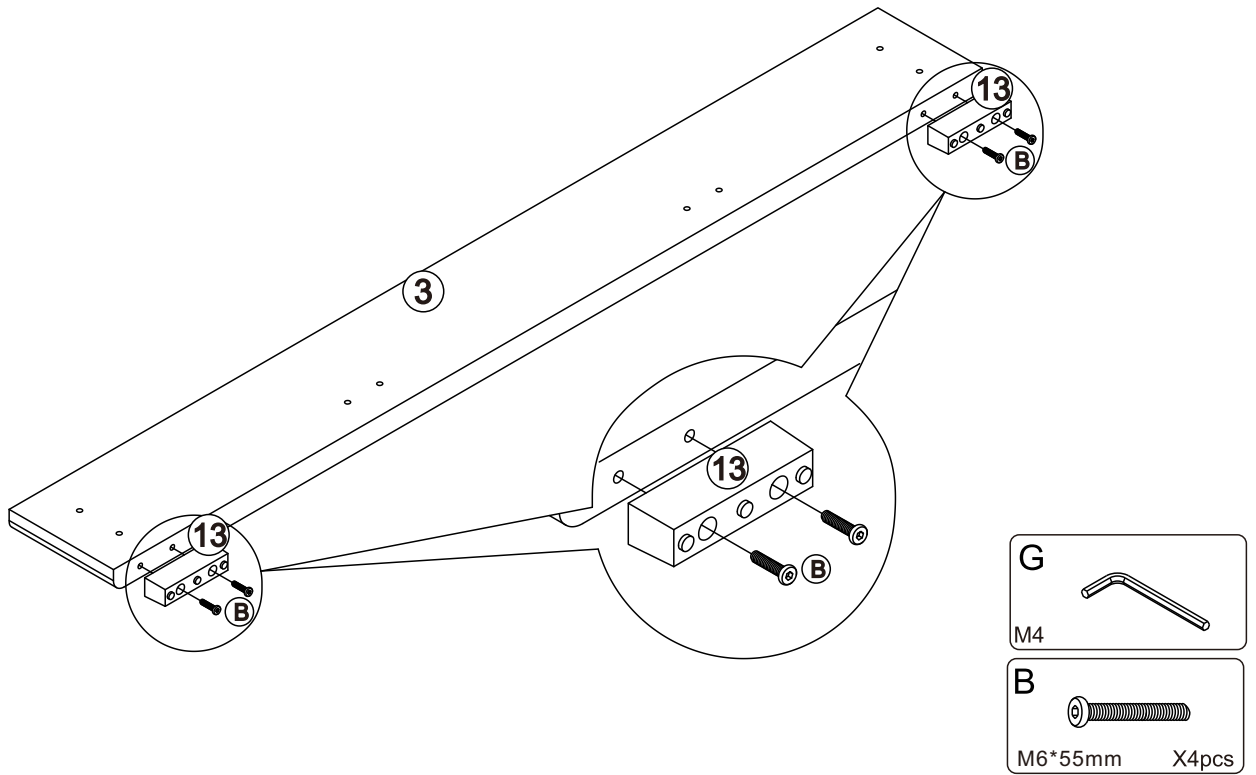
Attach the Side rails support bar (⑥) to Side rail (④/⑤) with Bolts(Ⓒ)by using Allen Wrench (Ⓒ).

Step 4



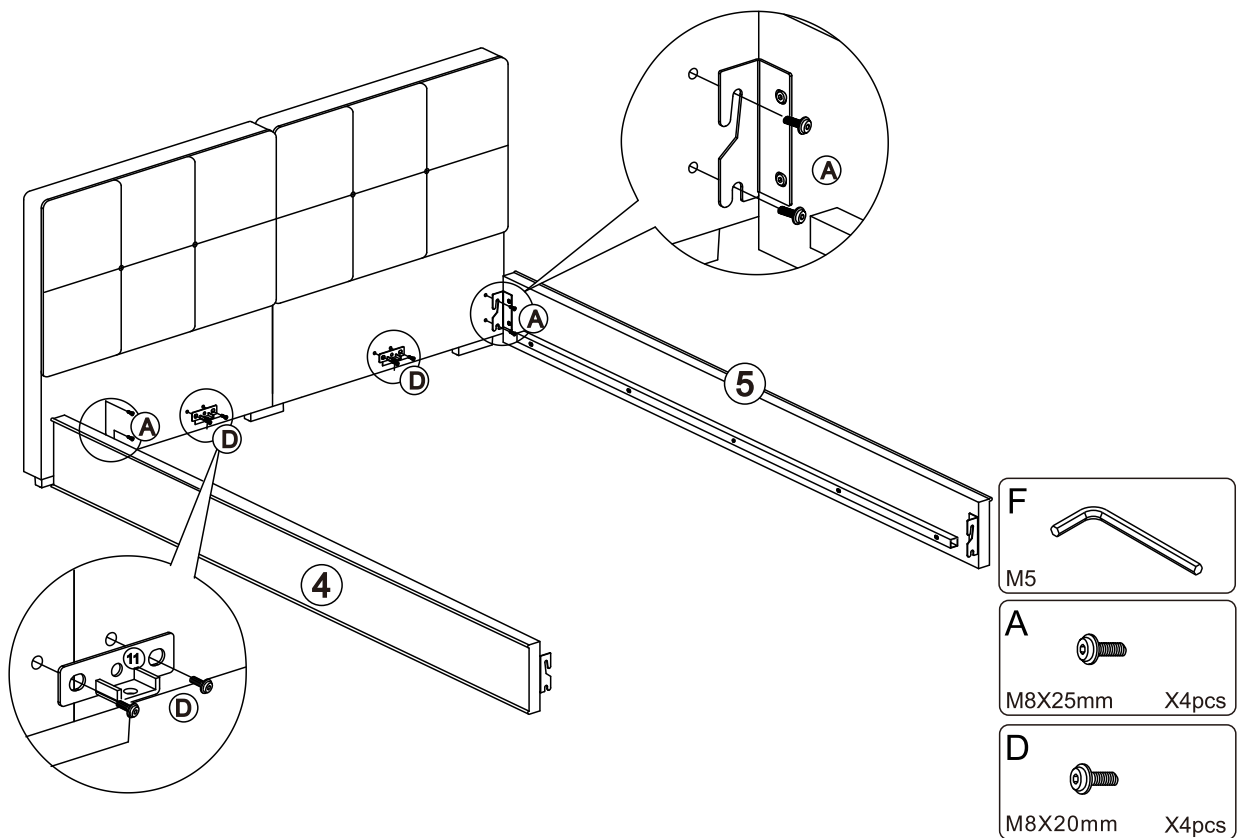
Attach the Hinge (⑨/⑩) to Side rail (④/⑤) with Bolts (Ⓓ) by using Allen Wrench (Ⓕ) .

Step 5



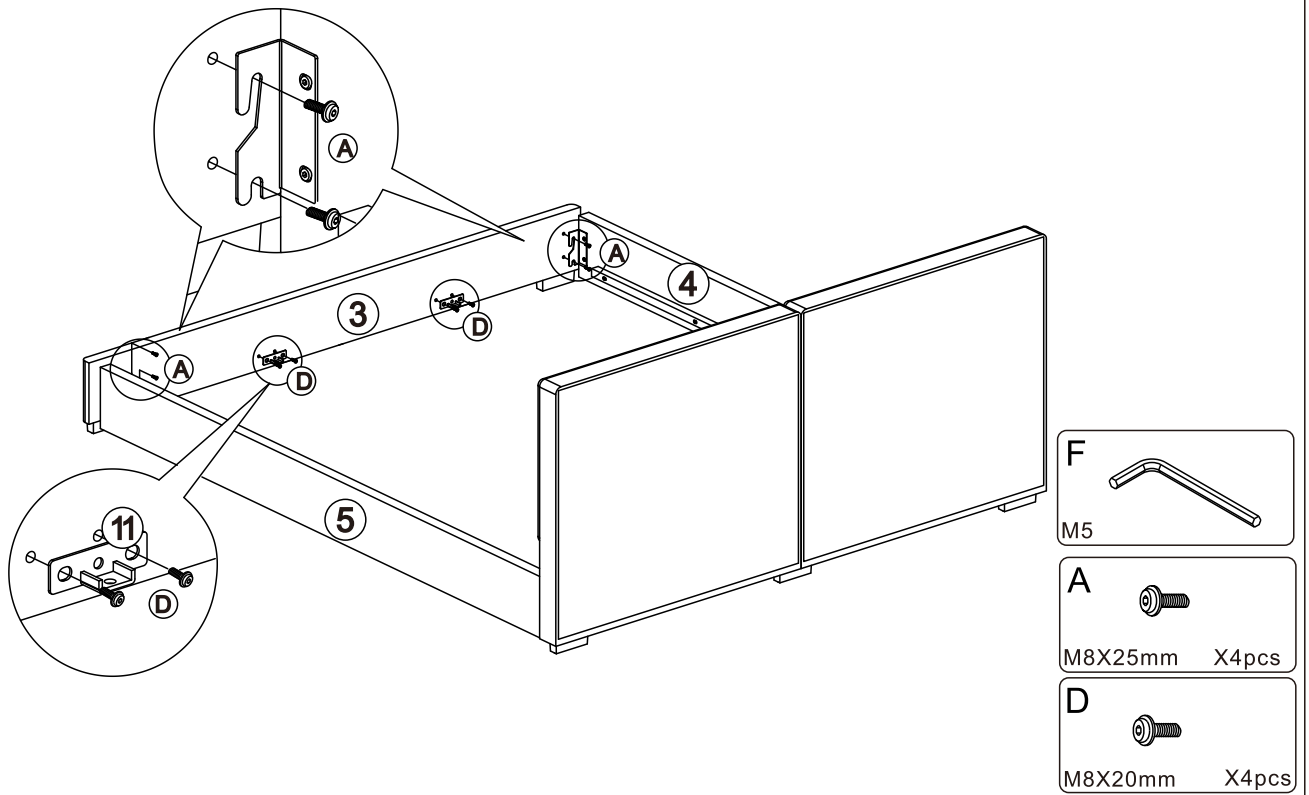
Attach Bed legs(13)to Footboard(3) with Bolts(B) by using Allen Wrench(G) .

Step 6



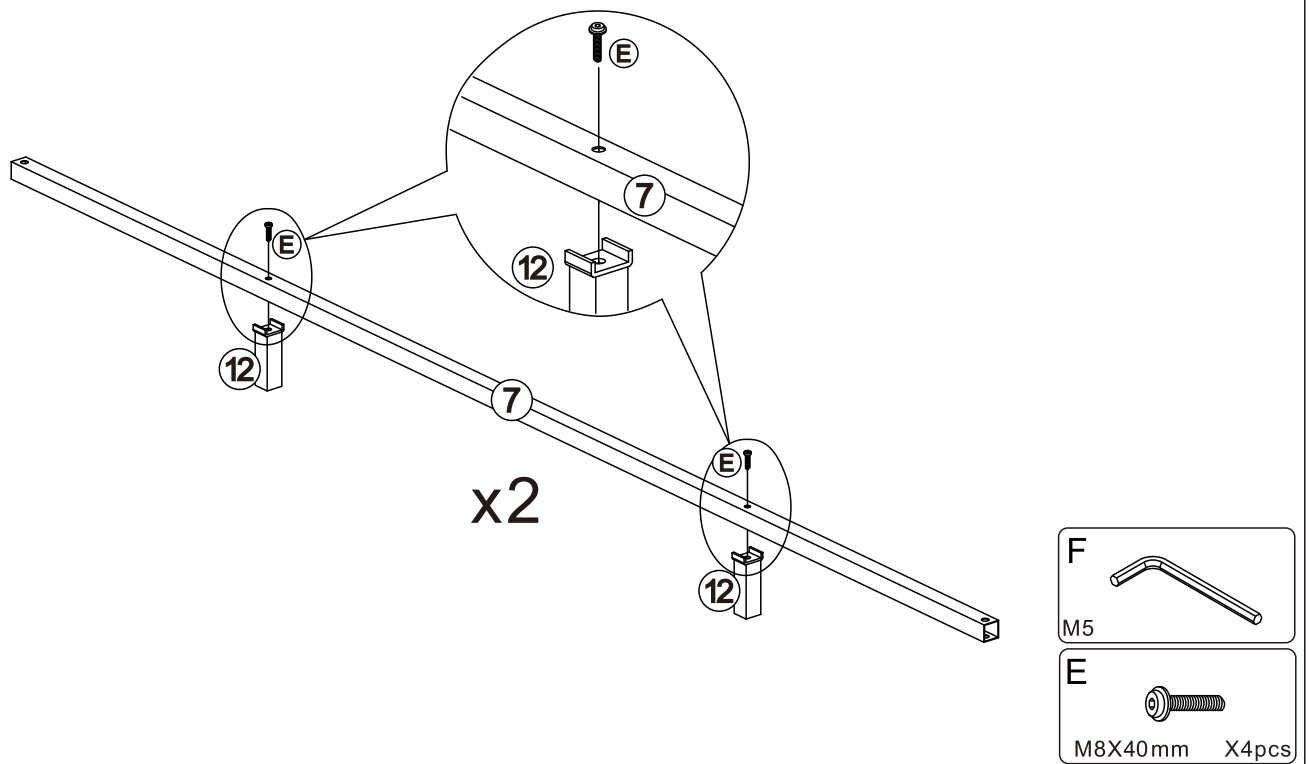
Attach the Side rail (4/5) and Center support bar fittings (11) to Headboard (1/2) with Hinge (9/10) and Bolts (A/D) by using Allen Wrench (F).

Step 7



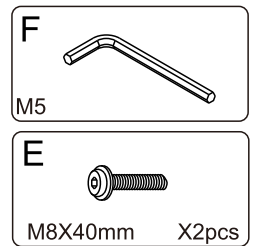
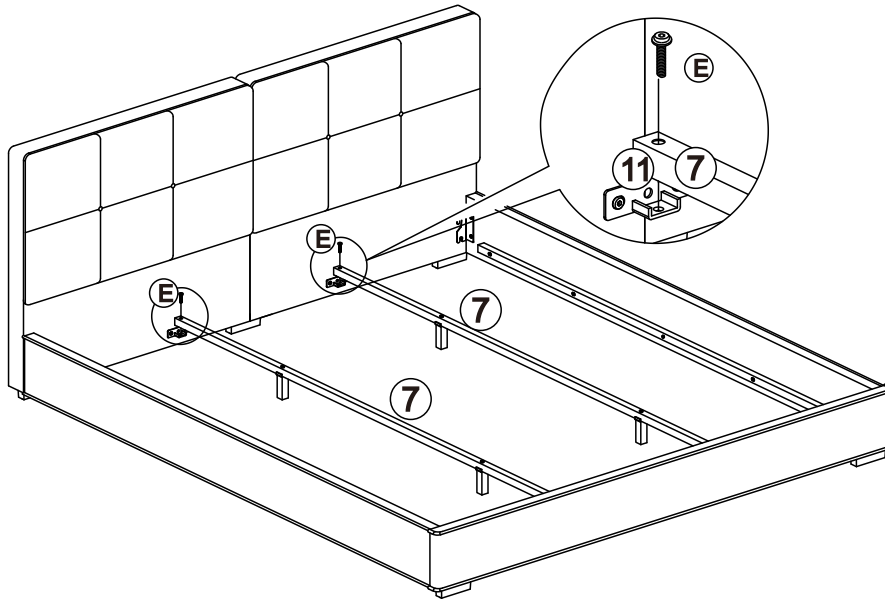
Attach the Side rail (④/⑤) and Center support bar fittings (⑪) to Footboard (③) with Hinge (⑨/⑩) and Bolts (A/①) by using Allen Wrench (F).

Step 8



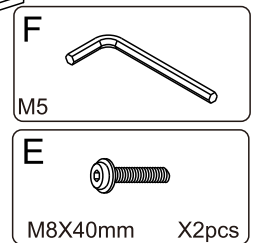
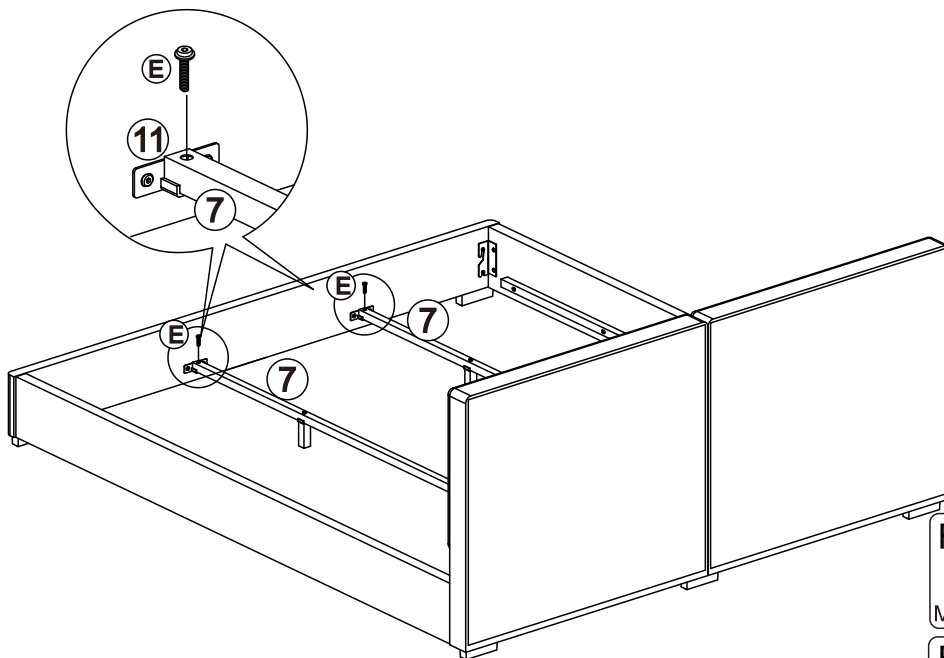
Attach the Center support bar (⑦) to Middle support legs (⑫) with Bolts (E) by using Allen Wrench (F).

Step 9



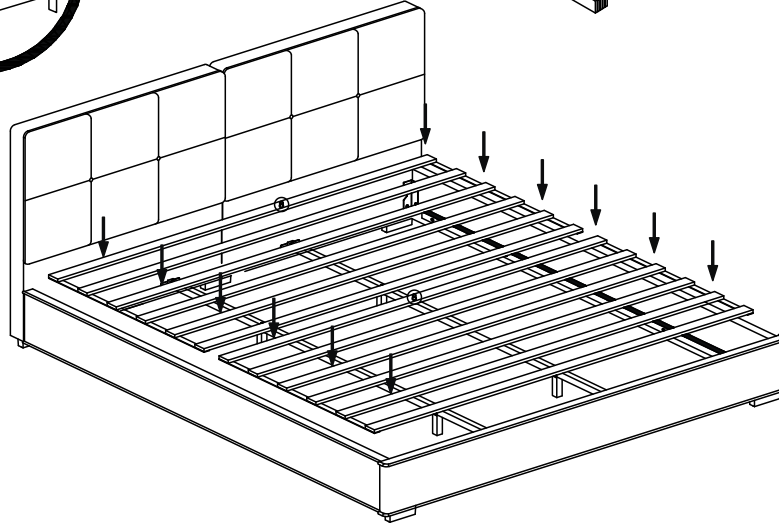
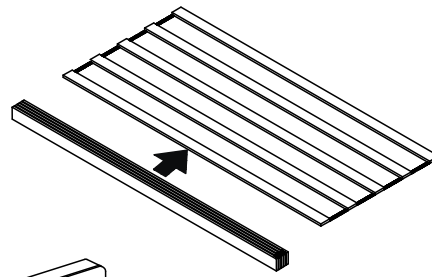
Attach the Center support bar (7) to Center support bar fittings (11) with Bolts (E) by using Allen Wrench (F).

Step 10



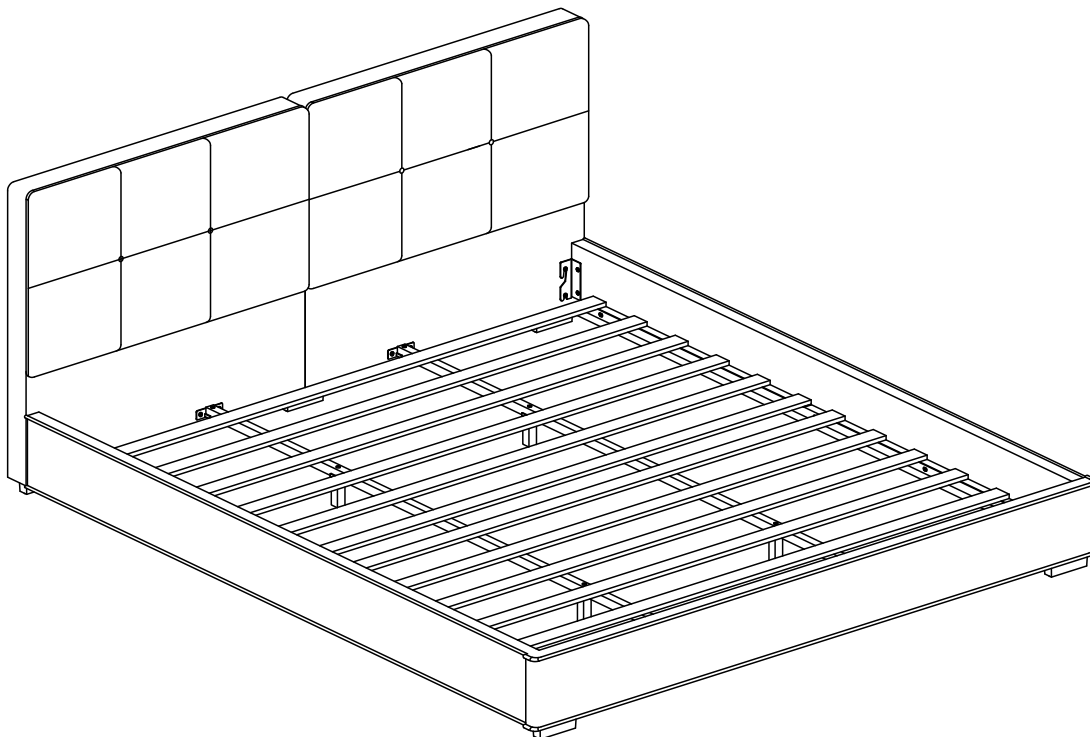
Attach the Center support bar (7) to Center support bar fittings (11) with Bolts (E) by using Allen Wrench (F).

Step 11



Attach the Slats (⑧) to Side rail (④/⑤) with by using magic tape.

Installation Complete



Your Bed is ready for use.
This Bed can only be used on a flat, level surface.