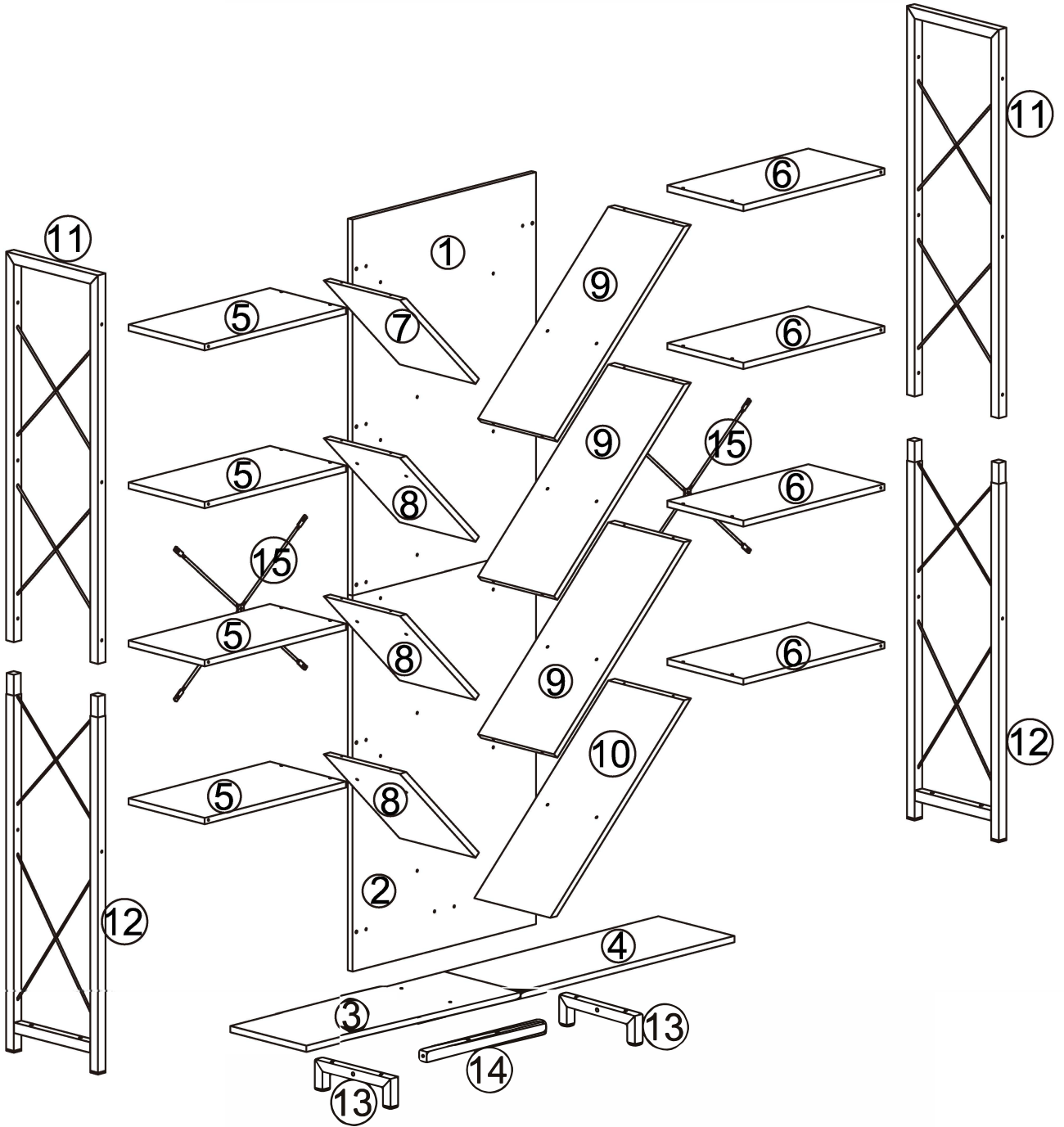
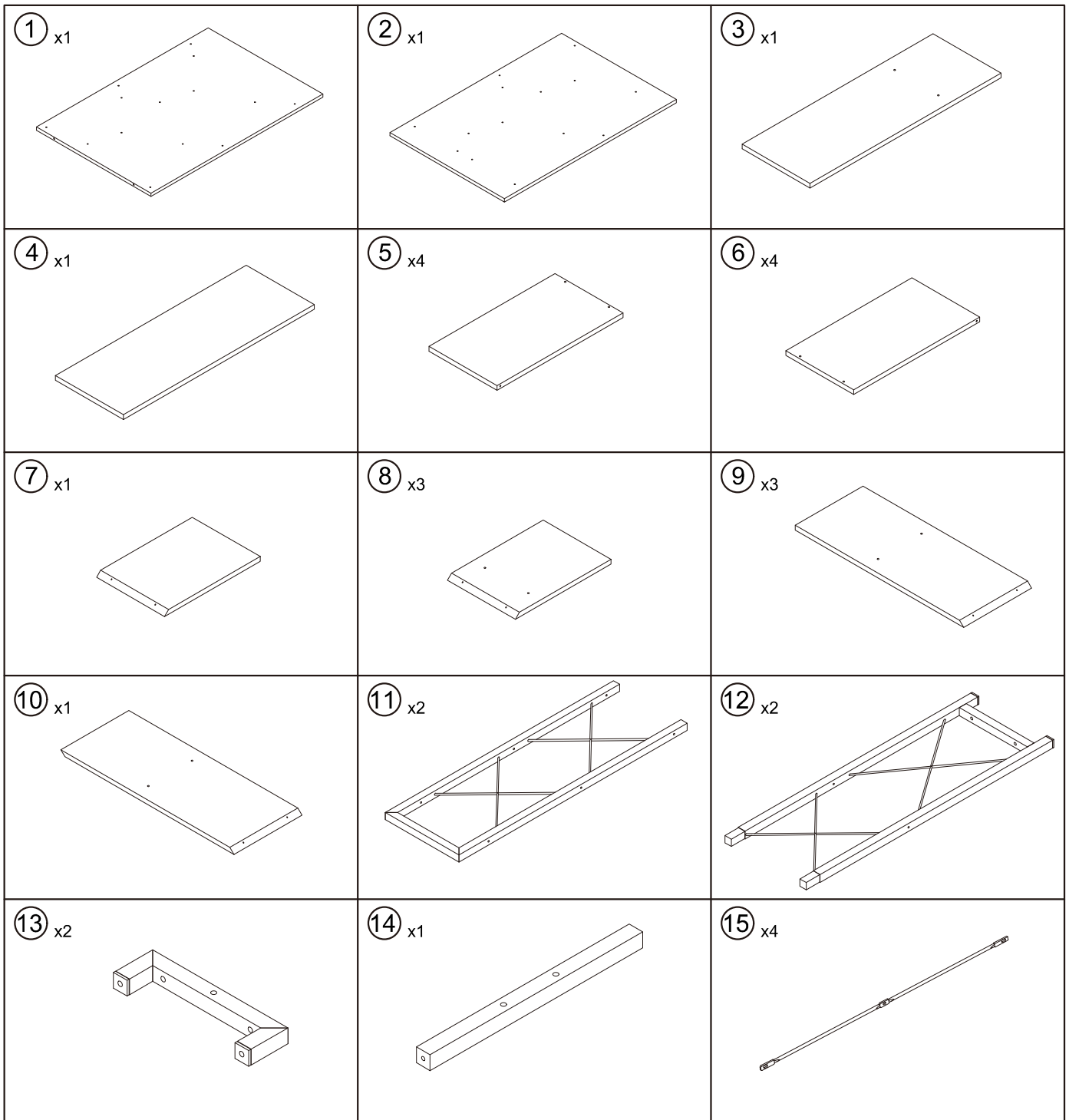


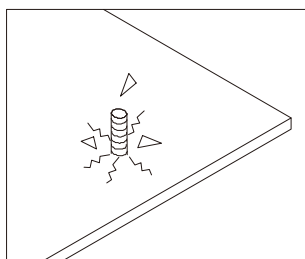
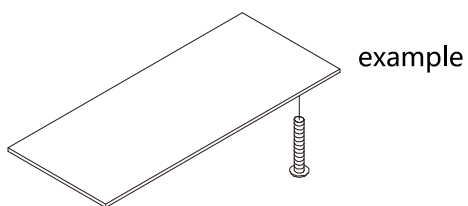
IMPORTANT, RETAIN FOR FUTURE REFERENCE: READ CAREFULLY



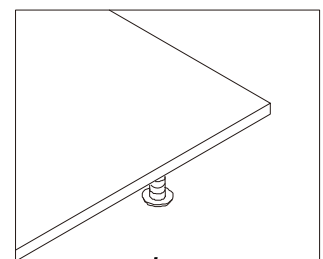


## Attention


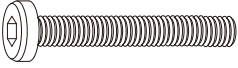

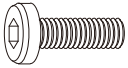
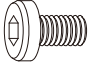

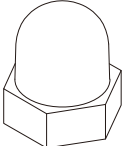
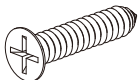
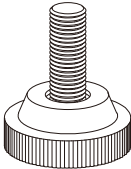
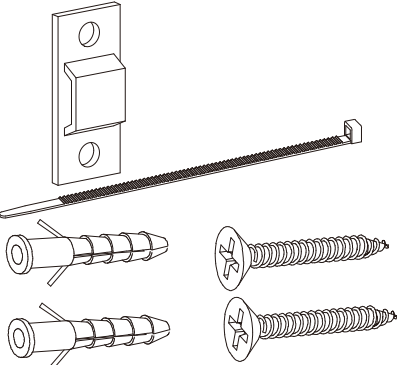
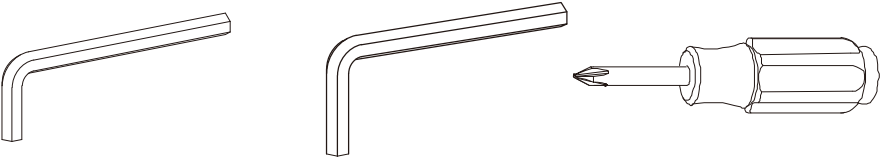
Use the proper screws to avoid damaging the parts



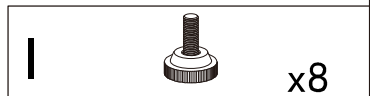
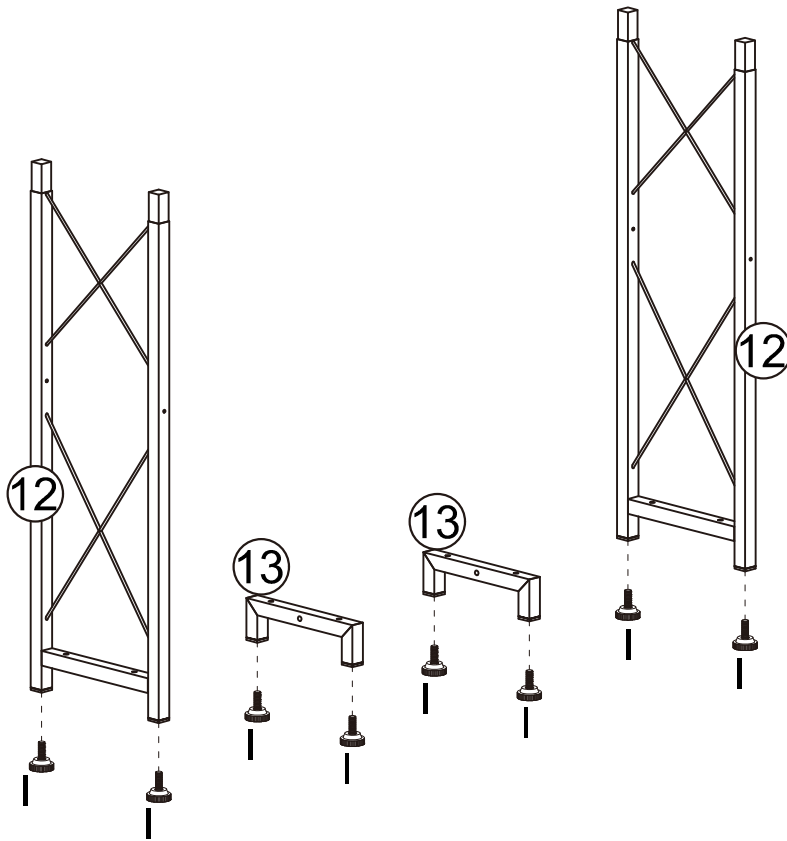
Wrong screws can cause the plank to crack



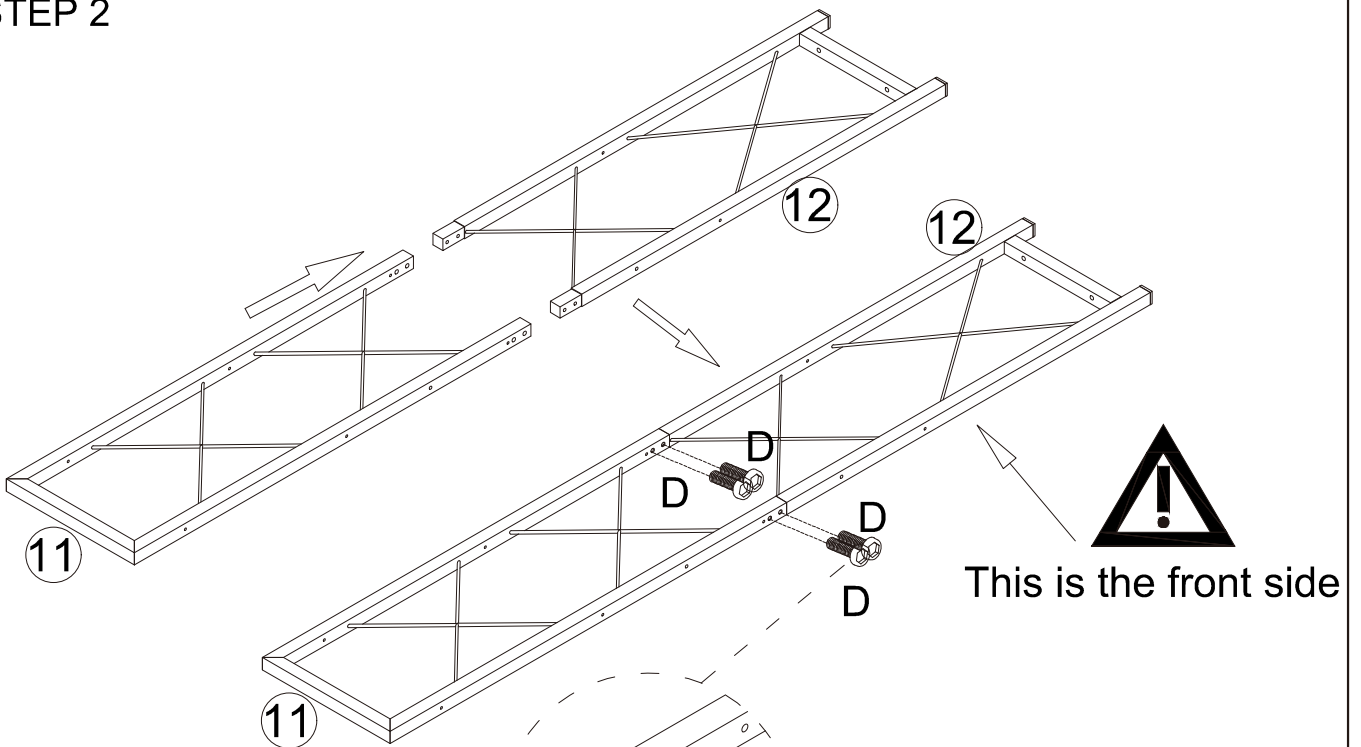
The right screw is the right size

<p><b>A x44+2</b></p>  <p><math>\phi 5 \times 40</math></p>	<p><b>B x2+1</b></p>  <p>M6*50</p>	<p><b>C x10+1</b></p>  <p>M6*35</p>
<p><b>D x16+1</b></p>  <p>M6*20</p>	<p><b>E x2+1</b></p>  <p>M6*12</p>	<p><b>F x12+2</b></p>  <p><math>\phi 6 \times 35</math></p>
<p><b>G x2</b></p>  <p>M6</p>	<p><b>H x32+4</b></p>  <p>M3.5*22</p>	<p><b>I x8</b></p>  <p><math>\phi 30 \times M6 \times 25</math></p>
<p><b>J x2</b></p> 	<p><b>K x1</b></p>  <p>M3x57                      M4x57</p>	

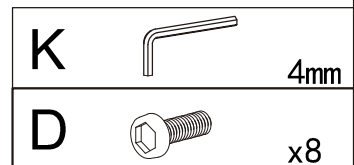
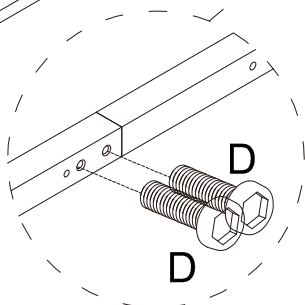
STEP 1



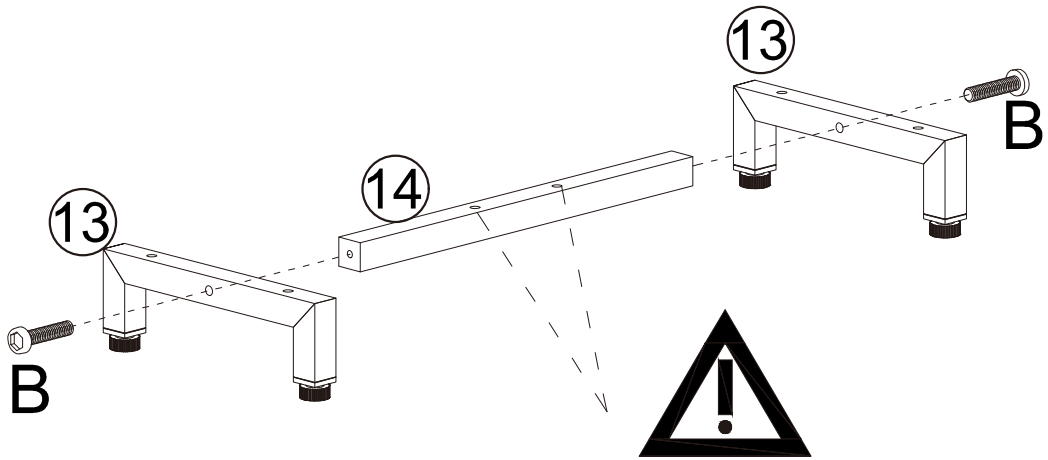
STEP 2



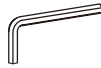
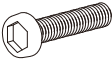
x2



STEP 3

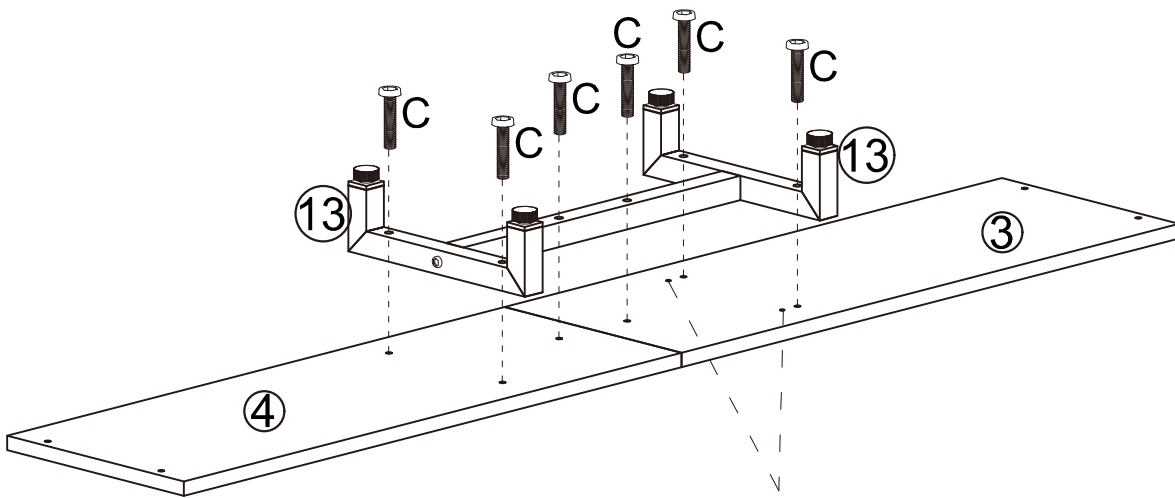


Two holes are mounted upward


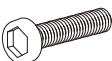
K		4mm
B		x2

6

STEP 4



Pay attention to these two holes when installing

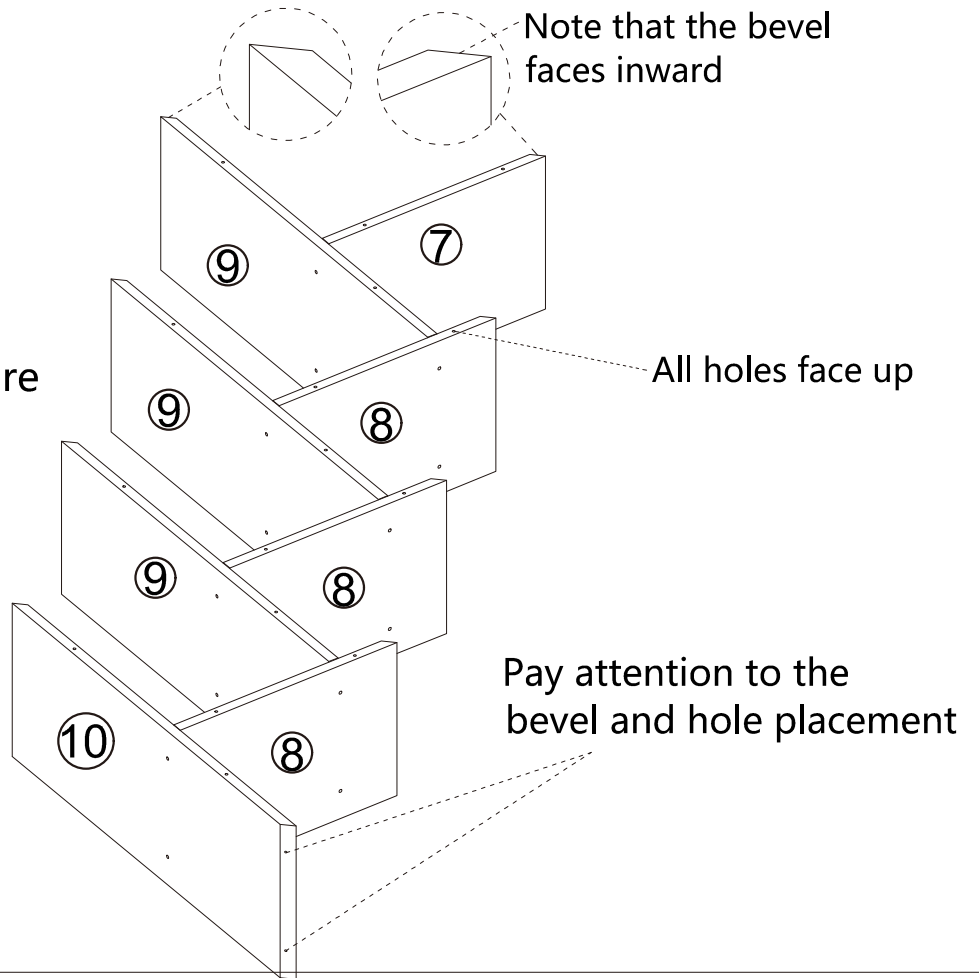
K		4mm
C		x6

6

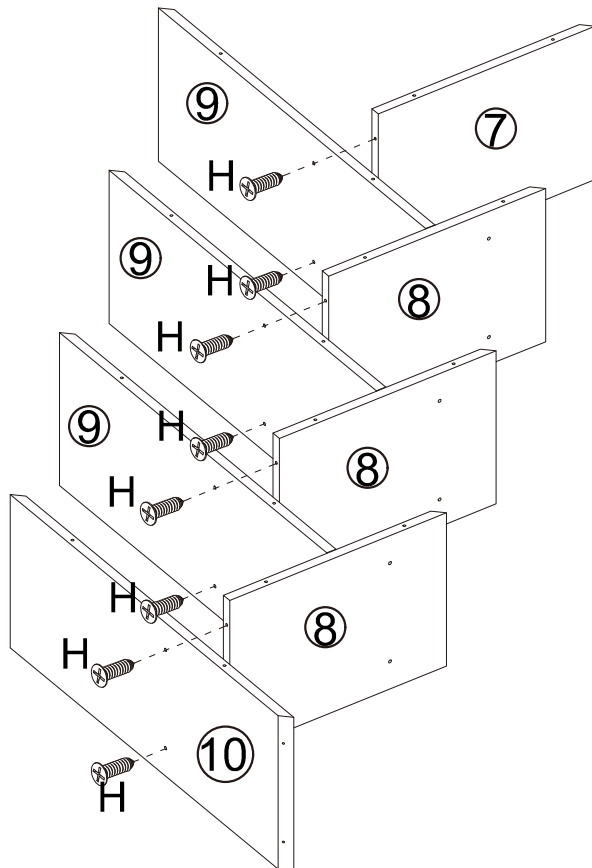
# STEP 5





Please be sure to place it according to this diagram before installing it

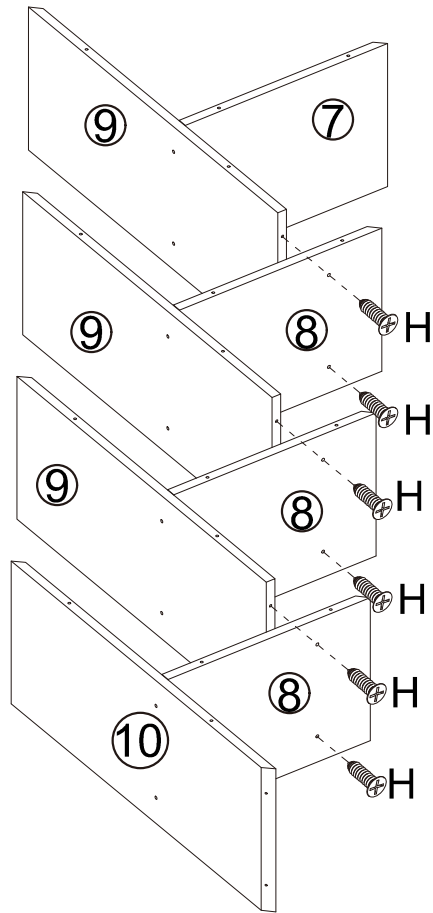




# STEP 6



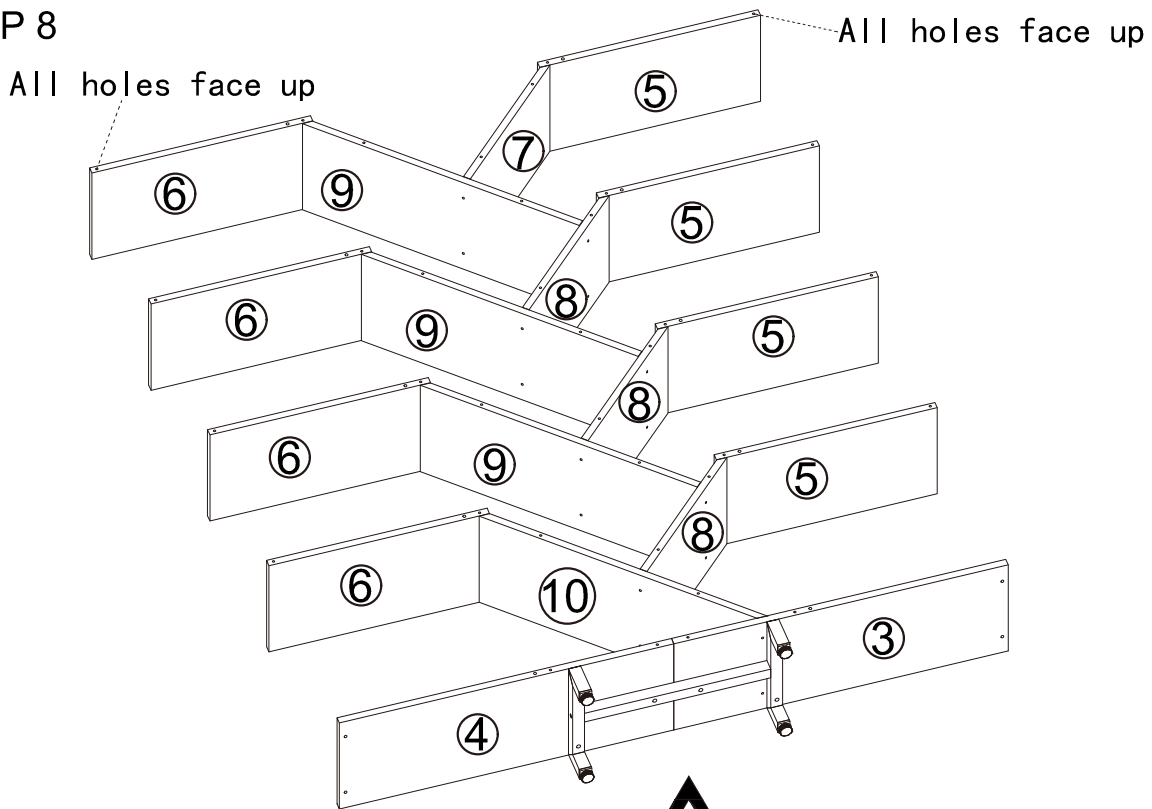
K	
H	 x8

### STEP 7



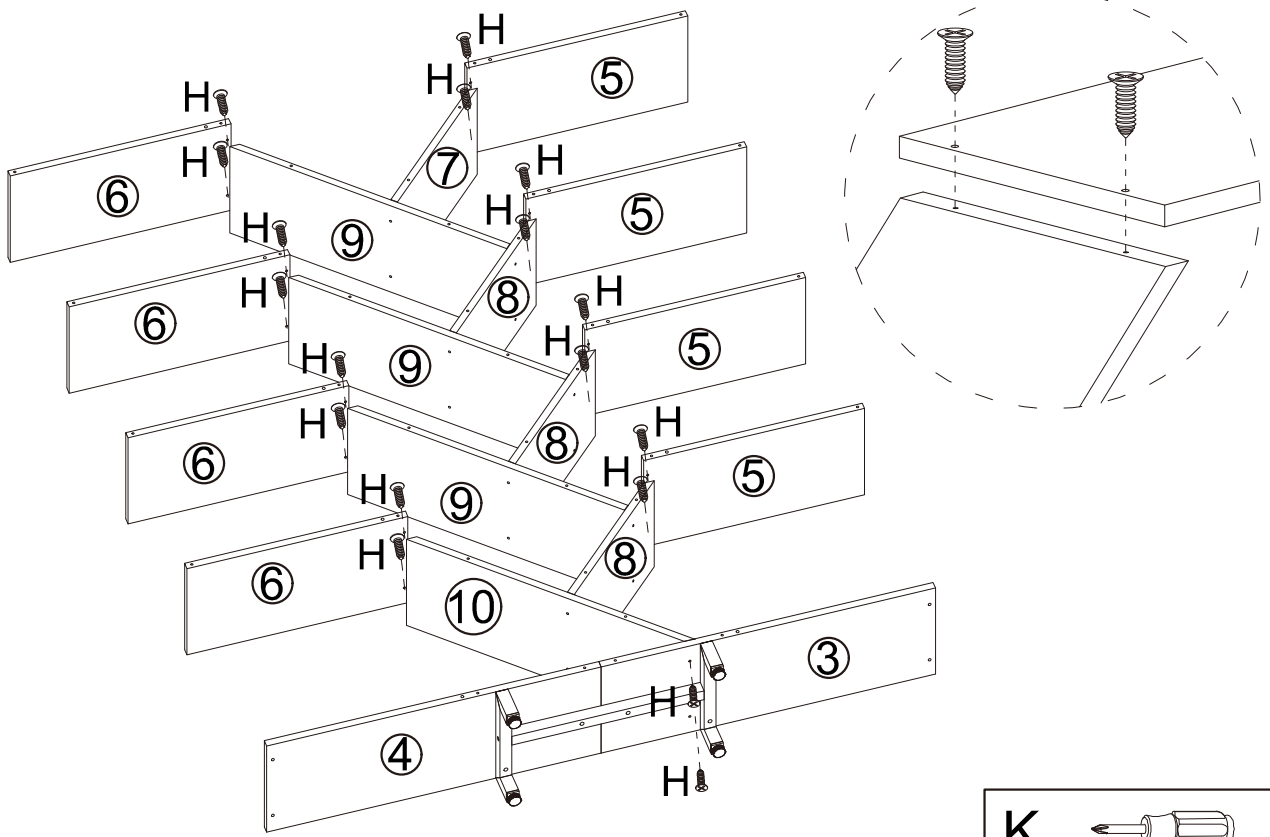
K	
H	 x6



### STEP 8



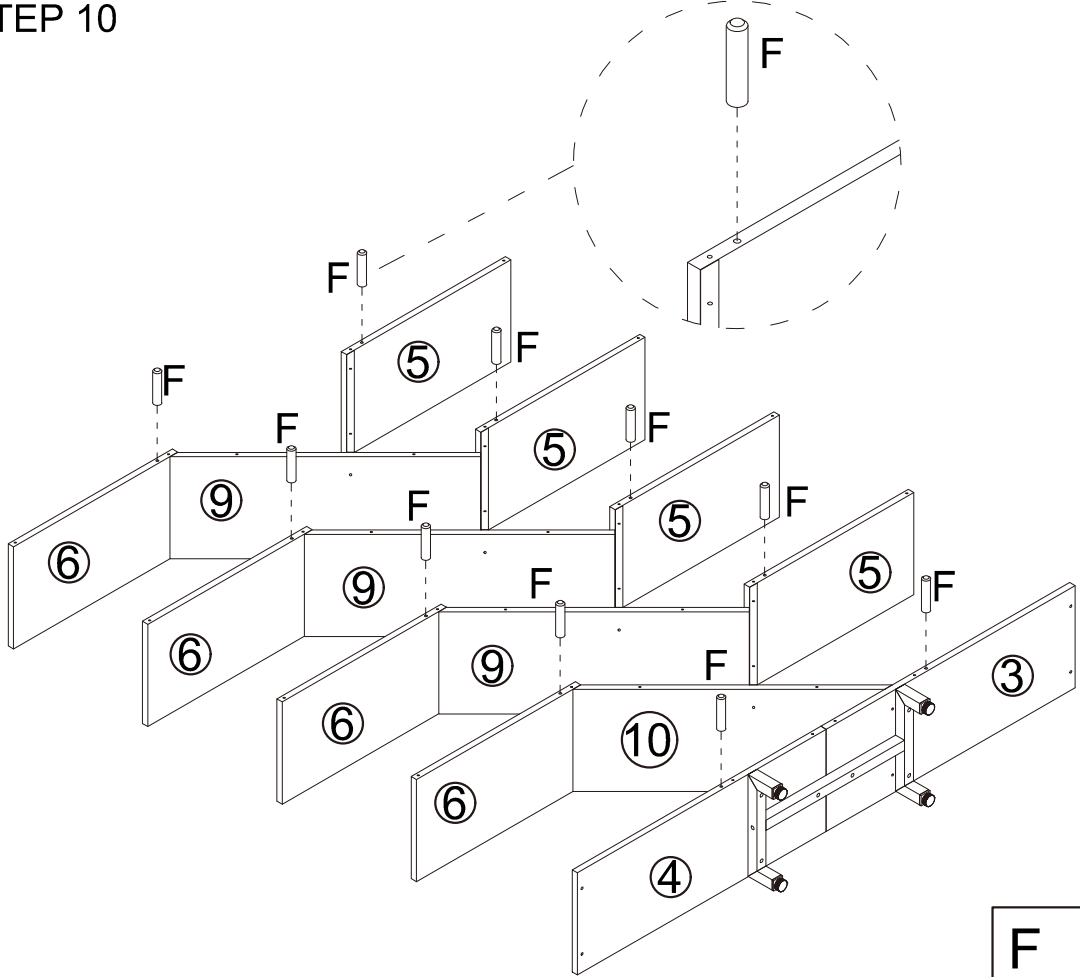
Please be sure to install plates 5,6 and 3 in this setting mode

STEP 9



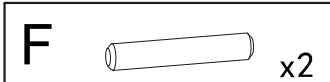
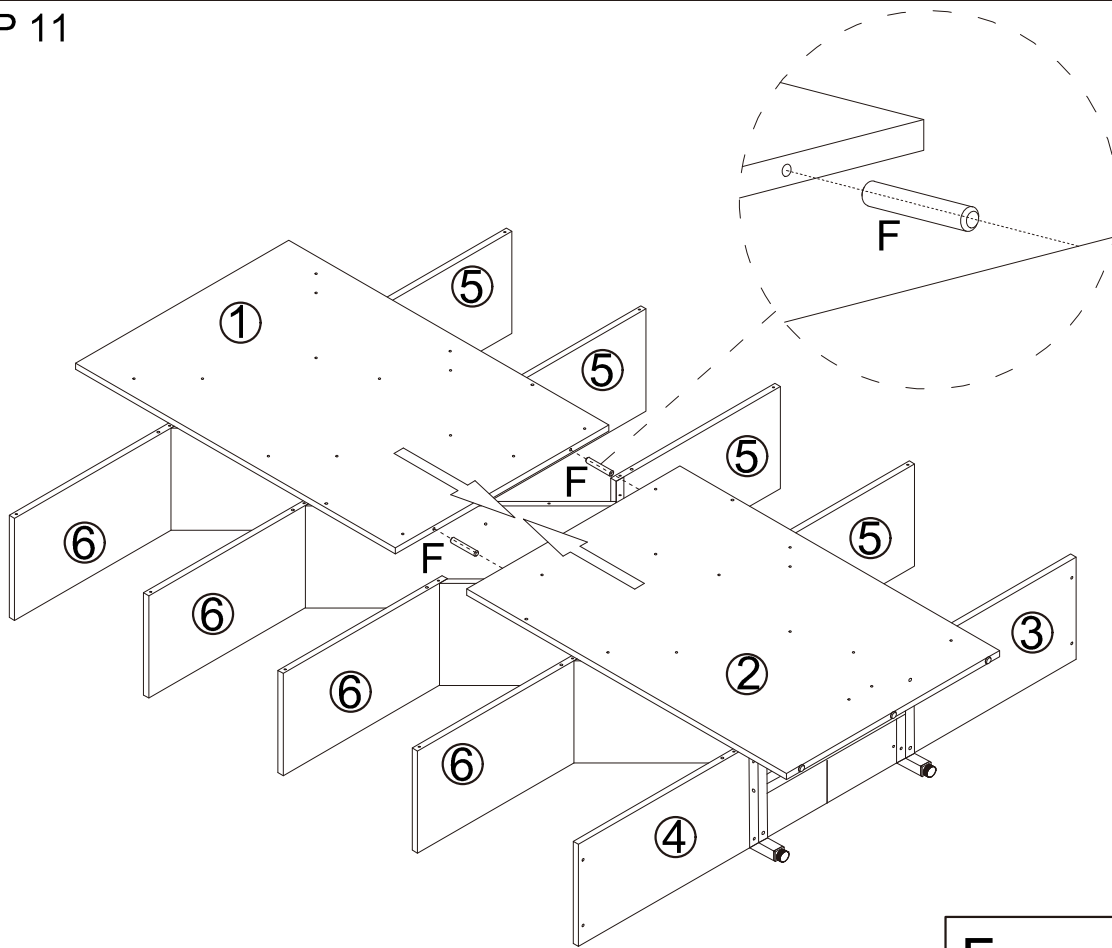
K	
H	 x18

STEP 10

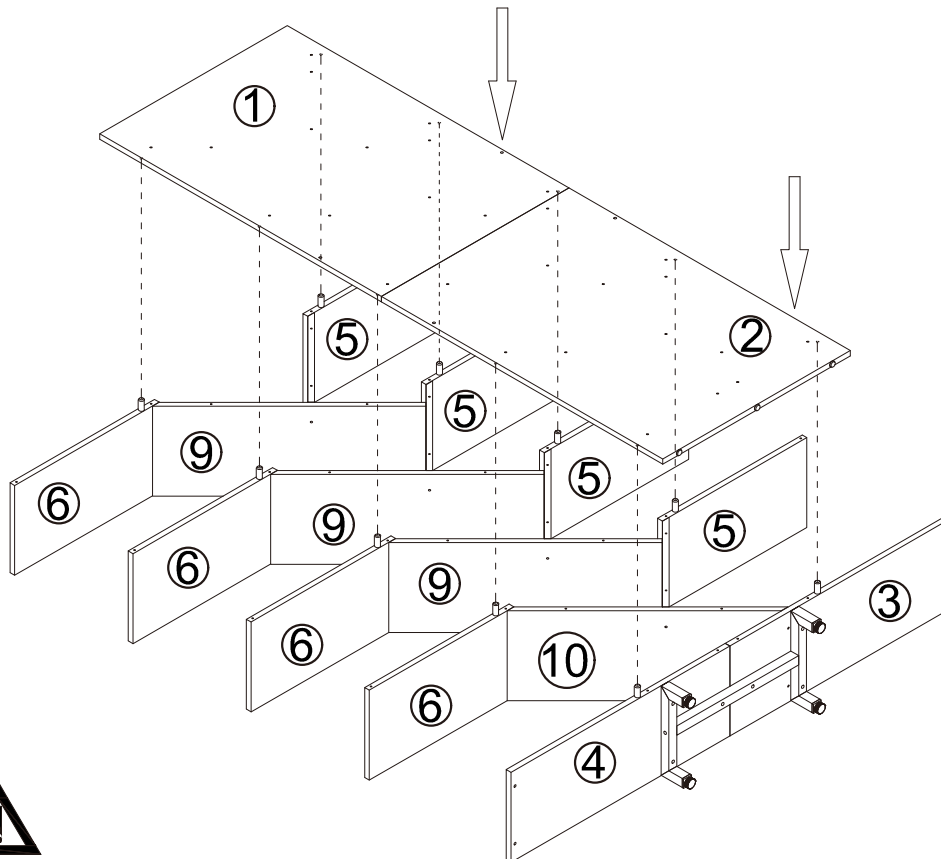


F	 x10
---	-------------------------------------------------------------------------------------------

# STEP 11



# STEP 12

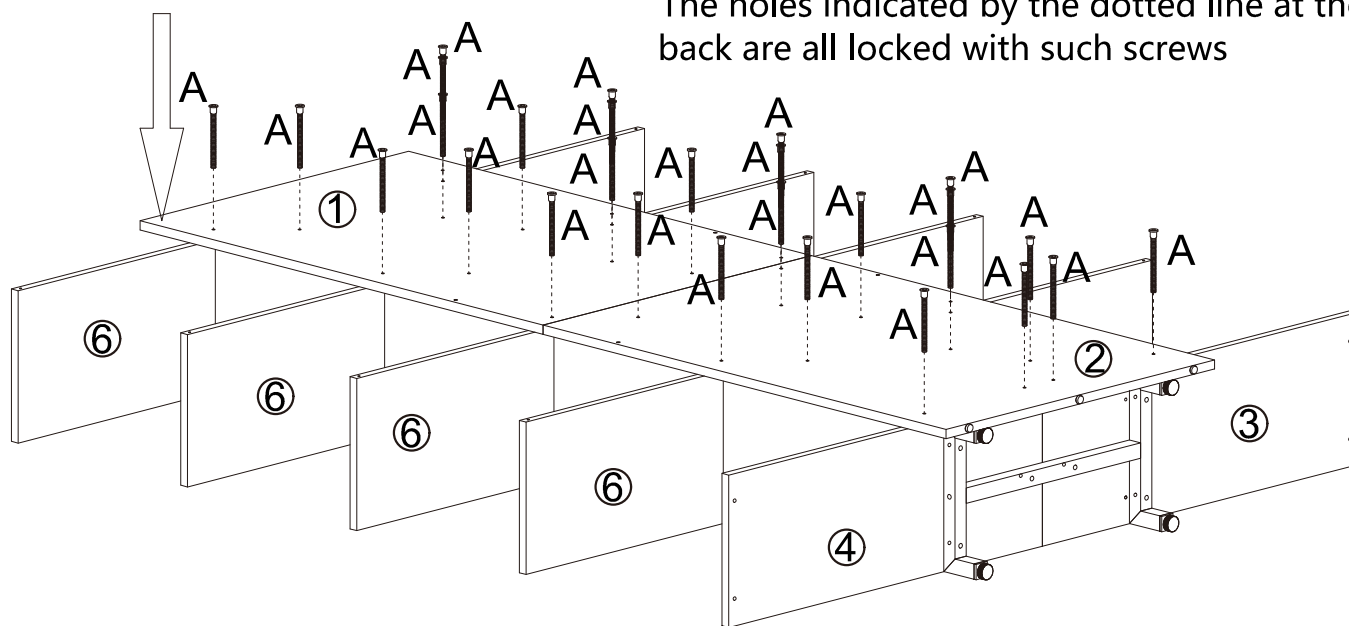


The holes in the back plate and the dowels in the laminate are fixed to the good holes

STEP 13



The holes indicated by the dotted line at the back are all locked with such screws

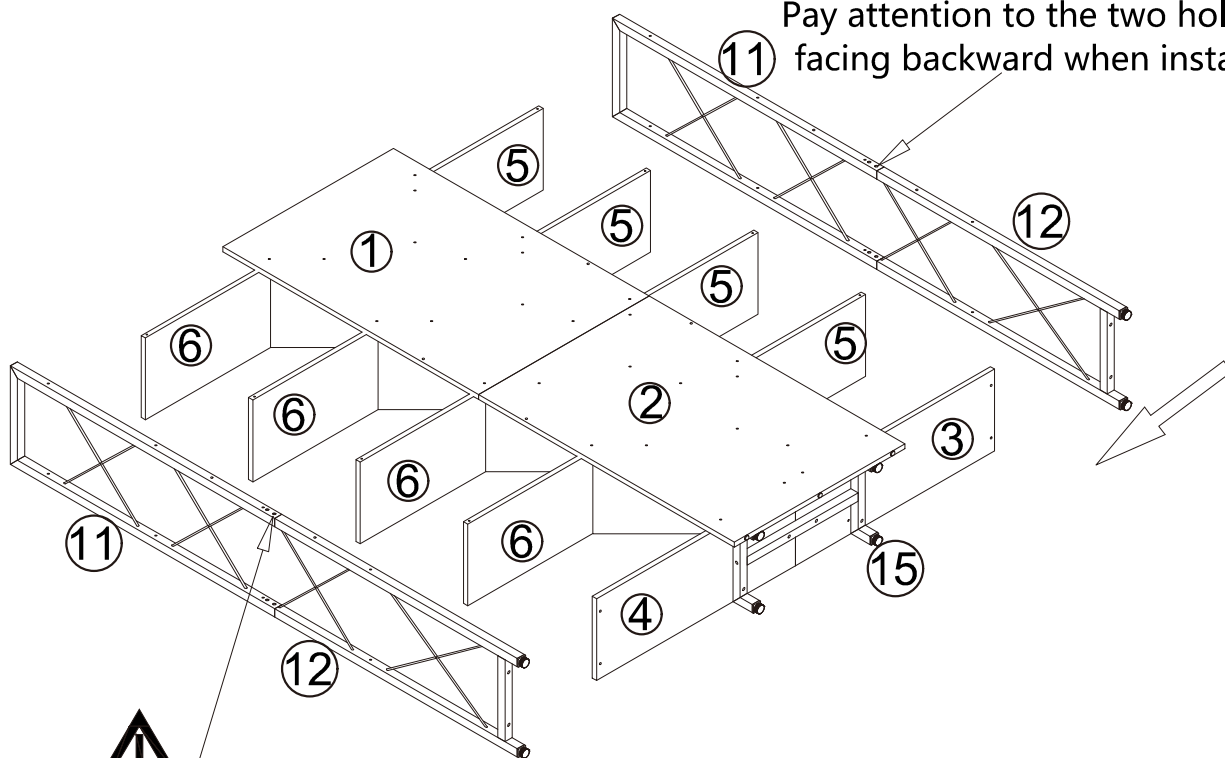


K		3mm
A		x28

STEP 14

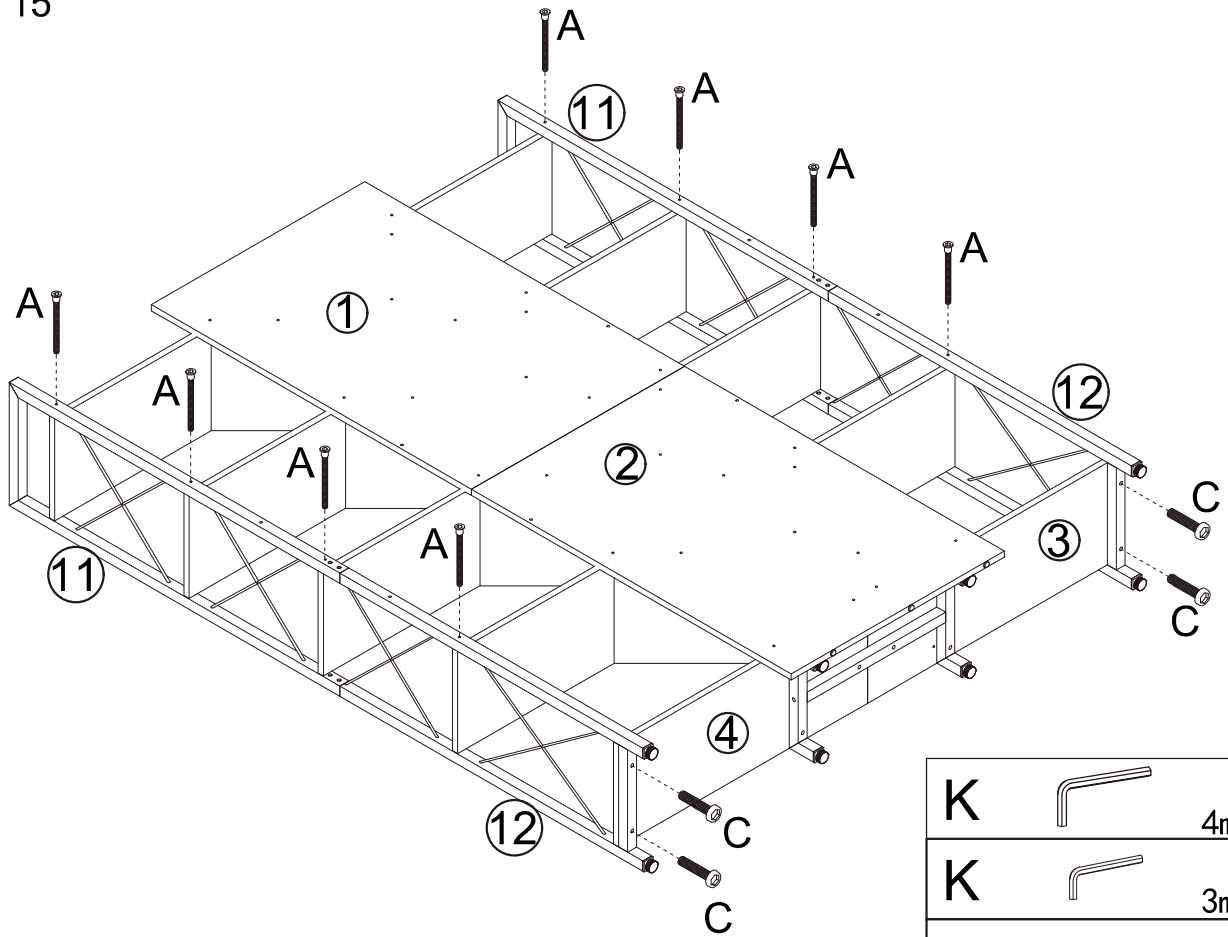


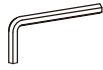
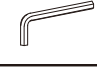

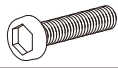
Pay attention to the two holes facing backward when installing



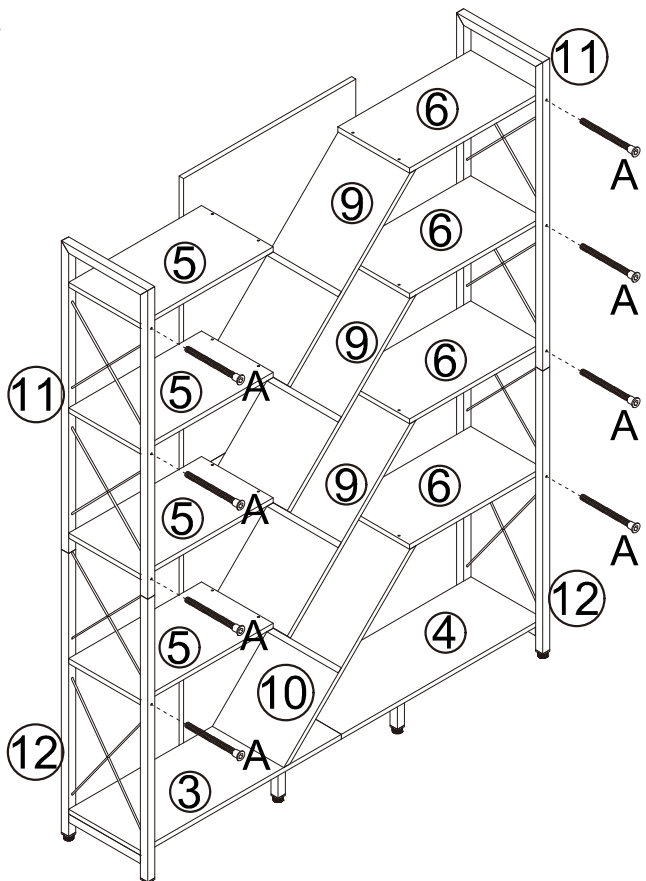
Pay attention to the two holes facing backward when installing



STEP 15



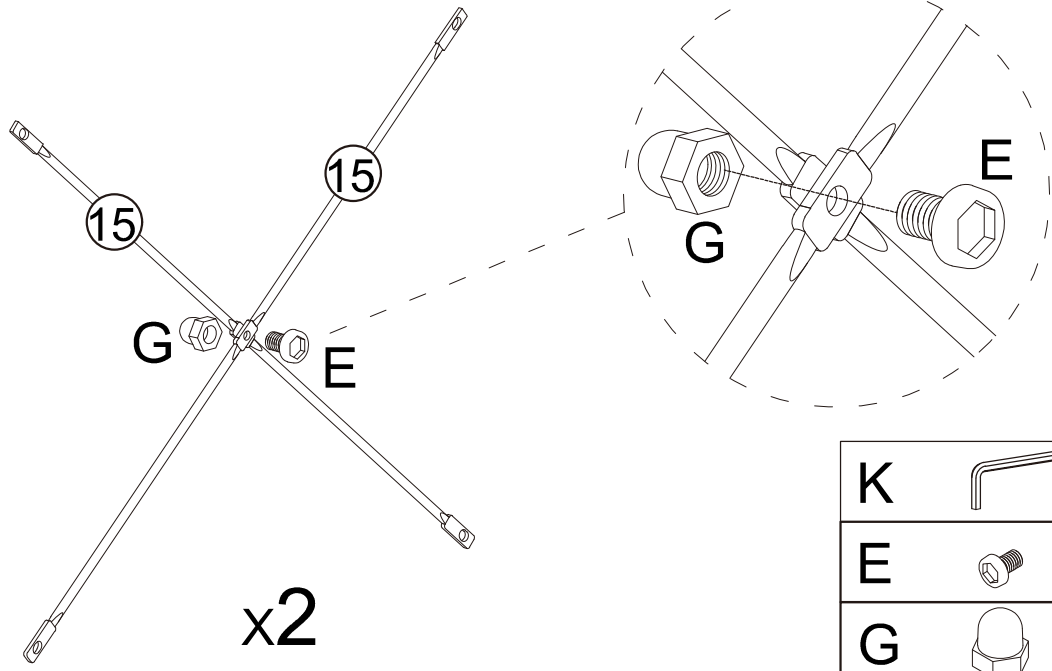
K		4mm
K		3mm
A		x8
C		x4



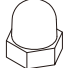
STEP 16



K		3mm
A		x8

STEP 17

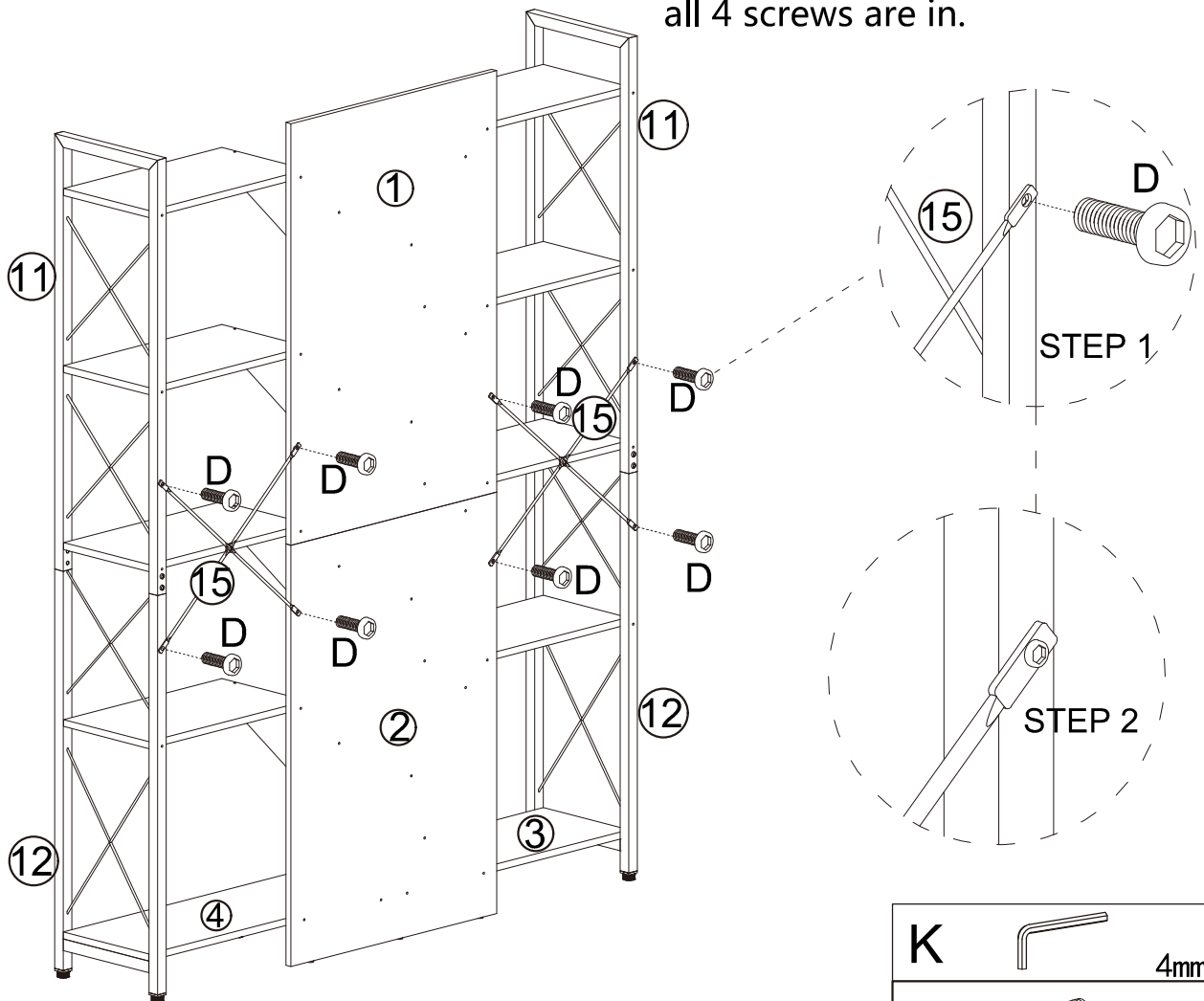



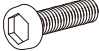
K		4mm
E		x2
G		x2

STEP 18

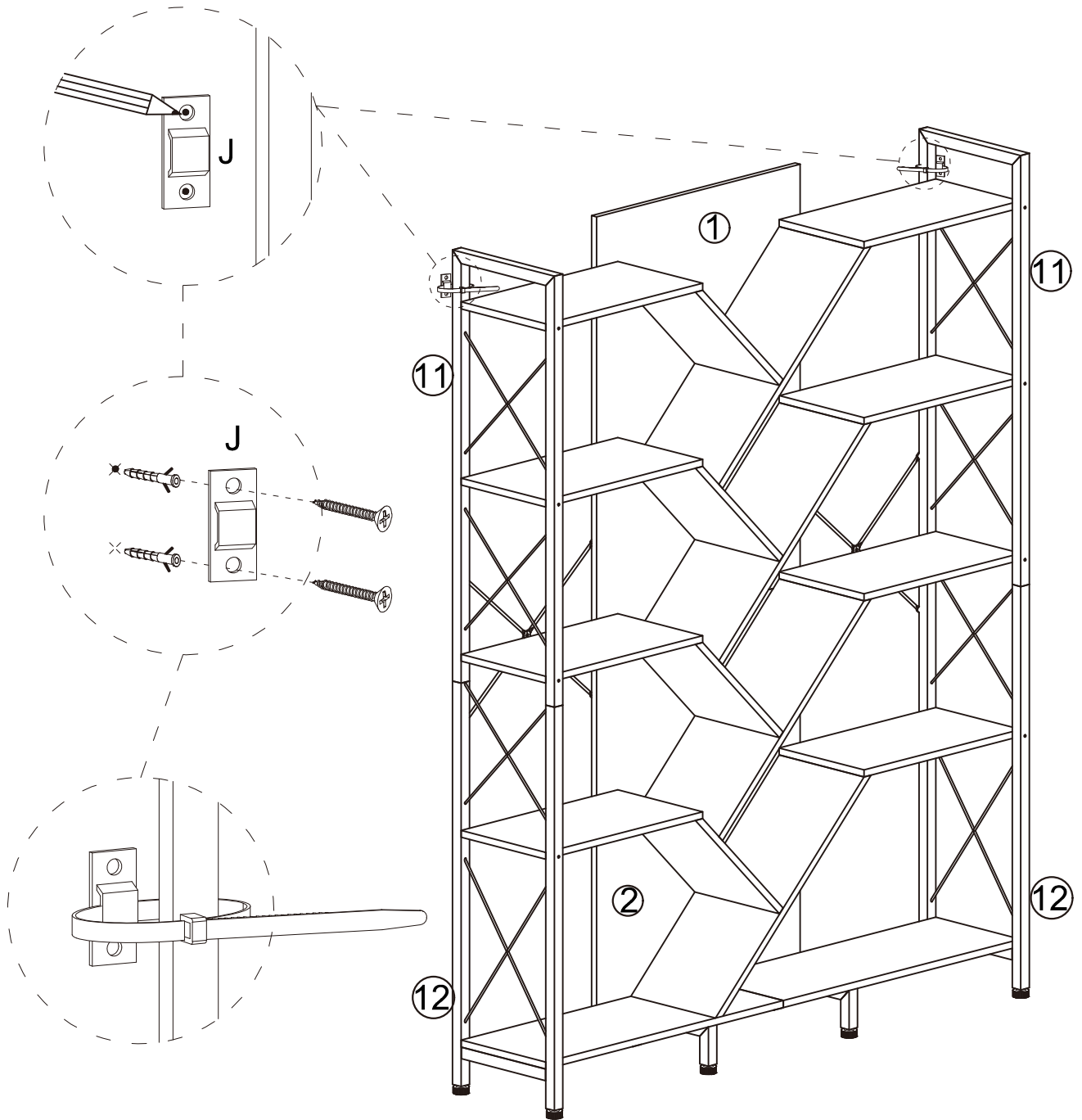


Don't fully tighten D screw until all 4 screws are in.



K		4mm
D		x8

STEP 19



Installation Completed

