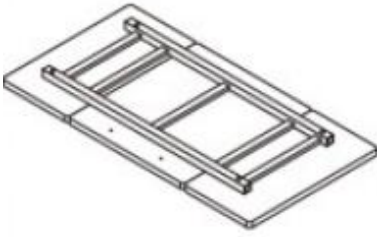


Accessories Schedule

1*Integral Frame(1)

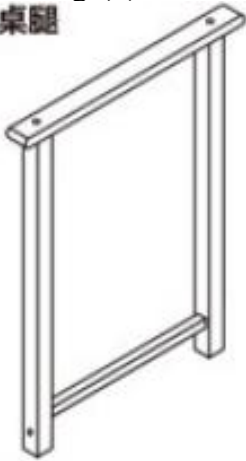


4*Bent Tubes(2)

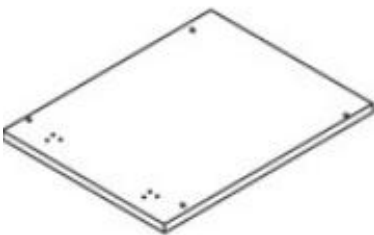


2*Table Legs(3)

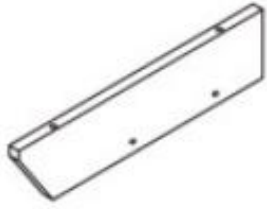
3 桌腿



1*Frame Backplate(4)



2*Frame Sideplates(5)



2*Round Tubes(6)



1*Frame Bottomplate(7)



1*Slot(8)



1*Gear Strip(9)



8*Long Pointed Head Screws(A)



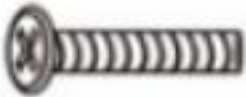
8*Spin Handles(B)



2*M6*20 Flat Head Screws(C)



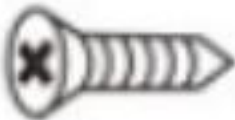
4*M6*25 Flat Head Screws(D)



2*Iron Sheets(E)



6*Self-tapping Screws(F)



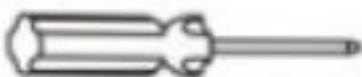
4*Wheels(G)



1*Small Wrench(H)

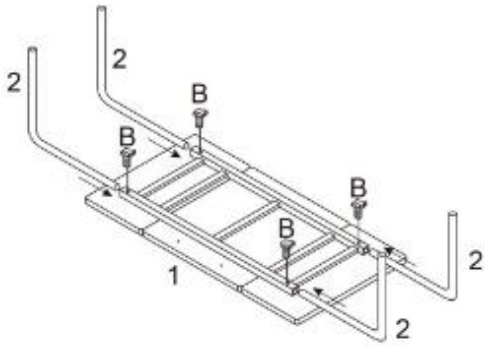


1*Dual-use Screwdriver(I)

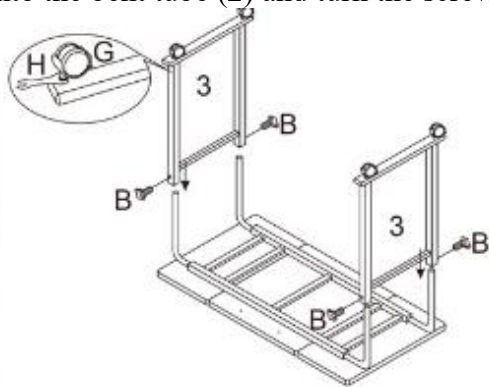


Installation

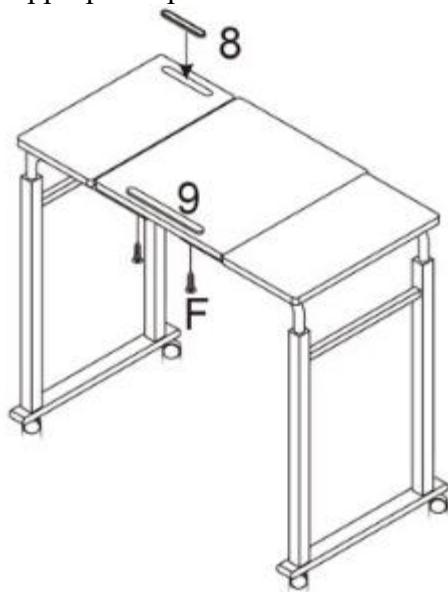
1. Insert the bent tube(2) into the integral frame (1) and secure the screw handle (B) to the integral frame (1). Note that the side of the bend with the graduated line faces outward.



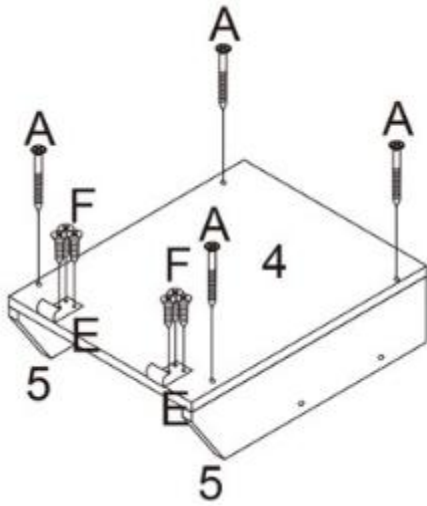
2. Use the small wrench (H) to screw the wheel (G) into the table leg (3). Then insert the table leg (3) into the bent tube (2) and turn the screw handle (B) to secure it.



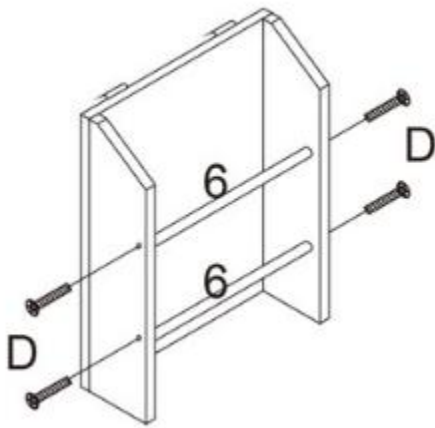
3. Use two screws (C) to connect the gear strip (9) and the overall frame (1), and then put the slot (8) into the appropriate position.



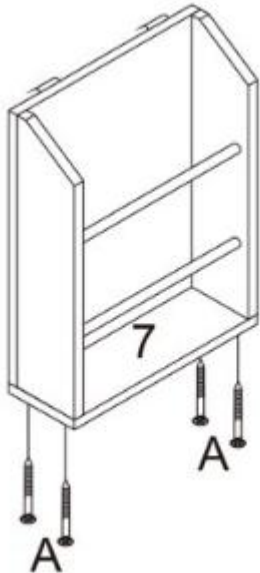
4. Use four screws (A) to connect the frame backplate (4) and the frame sideplate (5). Use six screws (F) to connect the iron sheet (E) to the frame backplate (4).



5. Use four screws (D) to connect the frame sideplate (5) to the round tube (6).



6. Use four screws (A) to connect the frame sideplate (5) to the frame bottom plate (7).



7. Hang the assembled frame on the table legs.



8. After the overall installation is complete, check that the screws and other accessories are firmly installed. If you encounter any problems during the installation process, please contact online customer service.



Notes

1. Please read the installation instructions in detail for the installation operation.
2. The front and back sides of the plates are different, please distinguish the front and back sides before operation.
3. Please pay attention to distinguishing the different screws. Organize each accessory before installation and count its quantity.
4. This style is divided into basic and upgraded models. Because there is a difference in the number of accessories between the two models, please pay attention to the distinction when installing.
5. The basic model does not have accessories (A), (C), (D), (E), (F), (I), (4), (5), (6), (7), (8), (9).