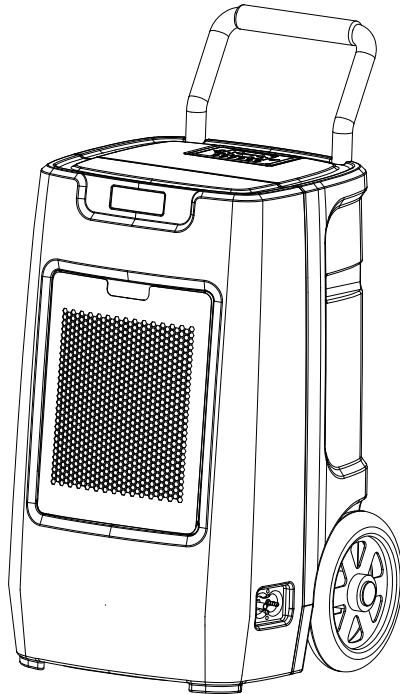




ANDTE

Commercial Dehumidifier User Manual



Model No.: DS190P

Please read this User Manual before operating and save for future reference.

Welcome

Thanks for choosing ANDTE dehumidifier!

ANDTE is dedicated to keeping people healthy, comfortable and more enjoyable by offering quality appliances ranging from dehumidifiers to ice makers, and more. From breathing easier in your office to upgrading your kitchen appliances, we hope ANDTE could help you every step of the way.

**READ THIS MANUAL INSTRUCTION CAREFULLY BEFORE USING THE UNIT.
PLEASE KEEP THIS FOR FUTURE REFERENCE.**

ANDTE DS190P commercial dehumidifier can remove 190 PPD at saturation (95°F, 90% RH) and 90 PPD at AHAM (80°F, 60% RH) , reducing humidity to comfortable levels in a short period of time. This dehumidifier has a solid case to withstand harsh environments, is safe and easy to use, guarantees long-term use and easy maintenance, plus we use a copper tube condenser and high quality and accurate sensors, it will be more effective and last longer.

Before plugging in your new dehumidifier, we suggest that you read this user manual as it contains important safety information, operation instructions, troubleshooting, maintenance tips, and warranty information to ensure the reliability and longevity of your dehumidifier.

We're always just an email away

To access customer support, please email to Andteusa@outlook.com with your purchase order ID to help us address the problem faster and serve you better.

Thank you again!

CONTENTS

Safety Information	1
Introduction	2
Important Safety Tips	3
Parts Identification	4
Operation Instruction	6
Maintenance	10
Trouble shooting guide	12
Safety Precautions	13
Parts List & Schematic diagram of flange installation	14
Warranty and Service	15

Safety Information

- Install the dehumidifier on flat surface to minimize vibration and/or noise.
- Inspect the power cord before use. Never operate the dehumidifier when the power cord or plug is damaged.
- Insert the three-prong plug on the power cord into a matching electrically grounded outlet (120V/ 60 Hz, 15A at least). Do not use an adapter. Never cut off the third prong. Do not use an extension cord.
- Do not operate the dehumidifier in standing water. Keep motor and wiring dry.
- Never immerse the dehumidifier into water or other liquids.
- Do not put the dehumidifier close to heat-generating devices, including flammable or dangerous materials.
- Unplug the power supply before cleaning or storing the dehumidifier. Always grasp the plug (not the cord) to unplug.
- Do not put fingers or other items into air inlet or air outlet.
- Never insert any other objects into the dehumidifier body.
- Do not sit, stand or put heavy objects on the dehumidifier.
- This dehumidifier should only be used by adults who have read the manual and understand the operating procedure of the dehumidifier.
- The dehumidifier is not to be used by persons (including children) with reduced physical, sensory or mental capabilities, or lack of experience and knowledge, unless they have been given supervision or instruction by an adult.



Never repair or remove plug and or power cord. Any repairs should be completed by qualified electrician or distributor.

Introduction

Thank you for choosing the dehumidifier by ANDTE!

We hope it will bring great convenience to your work and life.

We recommend that you save the user manual properly for future reference.

Before using this product, please read the user manual carefully to ensure that this product functions at its best.

The ANDTE's dehumidifier adopt an upgraded design, compact structure, easy to operate, and other characteristics, widely used in scientific research, basement, crawl space, greenery, laboratory, gymnasium, sanitation, commodity storage, underground engineering, and dehumidification in high humidity places such as kitchens, bathrooms, archives, warehouses, etc. Can be effectively avoided telecommunications equipment, materials, etc, are damaged due to dampness or rust.

Transportation and Custody

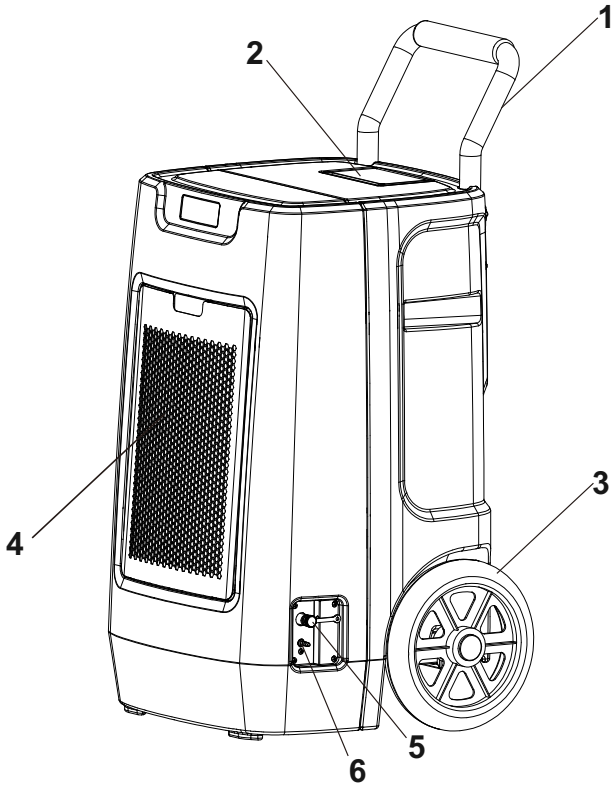
During transportation, this product should be handled preciously to prevent violent vibration. Generally, the packaged product should not be stored in the open air for a long time. It should be placed in a well-ventilated, non-corrosive gas warehouse. It should not be placed upside down. Weather protection measures should be adopted when stored temporarily.

Important Safety Tips

Before using the product, for safe and correct operation and maintenance, please read and understand the following safety tips.

1. When cleaning or storing the dehumidifier, please pull out the plug first, cut off the power supply, and ensure safety.
2. Don't immerse the machine in water or close to water sources.
3. Don't place the machine near heating devices or flammable dangerous goods.
4. Don't insert fingers or stick-like objects into the air inlet or outlet.
5. The fuselage should be placed or installed horizontally to avoid tilting the fuselage.
6. Never spray the machine with water.
7. Don't spray pesticides or flammable liquids on the machine.
8. Don't place heavy objects on the machine or let children and animals ride.
9. The machine should not be operated in a confined and narrow space.
10. If the power cord is damaged, to avoid danger, it must be repaired or replaced by the manufacturer or its maintenance department or full-time maintenance personnel.
11. The power wiring of the machine must be carried out by the national standard wiring rules, and the power cord must be reliably connected to the external grounding wire.
12. The fixed wiring of the machine connection must be equipped with an all-pole disconnection device (air switch) with a contact distance of at least 0.12 inch.
13. The model specification of the fuse is: 3.15A.
14. The distance between the machine and surrounding objects should be kept at least: 40 inch.
15. The dehumidifier is not allowed to be used by persons (including children) who are physical, sensory, or mentally retarded or lack experience and knowledge, don't touch the machine unless under the supervision or direction of an adult.
16. Children should be under the supervision of adults to ensure that they do not touch the machine at will.

Parts Identification



1. Handle Bar

2. Control Panel

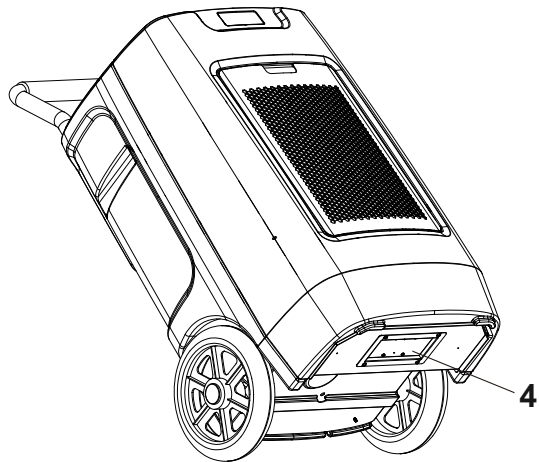
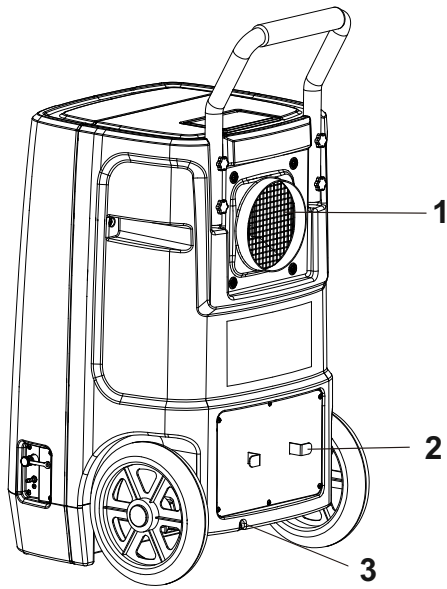
3. Wheels

4. Air Inlet

5. Gravity Drainage Outlet

6. Pump outlet

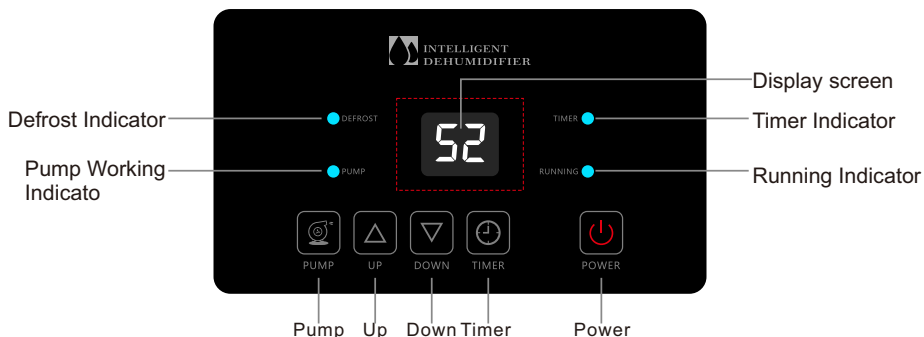
NOTE: There May be slight differences in the model, the actual machine shall prevail.



1. Air Outlet 2. Cord Winder 3. Power Cord Port
4. Pump access port

Operation Instruction

Operation panel



Buttons Definition

Button	Function
POWER Button	Press to turn the dehumidifier ON or OFF.
UP Button	Press to increase the set-point of humidity level or timer.
DOWN Button	Press to decrease the set-point of humidity level or timer.
TIMER Button	Press to enable the timer function or confirm the timer settings.
PUMP Button	Press and hold the PUMP button for 3-5 seconds to empty water from the pump reservoir manually. When the water tank is empty, the pump does not start forcibly and the indicator light does not light up.

Operation panel

(1) Target Humidity Value Setting

- ① Check the room humidity (After powering on, the digital number on the control panel is the room humidity readout.);
- ② Press UP or DOWN button once, the digital number will turn to be the previous setting value and blink;
- ③ Repeatedly press the UP or DOWN button to set a desired humidity percentage value between 10%-98% in increment of 1%. The set humidity value needs to be at least 5% lower than room humidity (The digital number keeps blinking while changes are being made);
- ④ After selecting the desired value, wait for a few seconds until the digital number turns to be room humidity readout, then let the dehumidifier run.

NOTE:

The dehumidifier with a humidistat will automatically stop and restart to maintain room humidity level within a range of $\pm 3\%$ of the set point.

For example, if the set humidity is 50%,

- when the inlet humidity level the dehumidifier detects is 47%, 3% lower than the set humidity, the dehumidifier will automatically stop and enter into standby mode. During this time, the digital number keeps blinking.
- when the inlet humidity level the dehumidifier detects raises to 53%, 3% higher than the set humidity, it will automatically restart.
- However, if the set humidity level is equal to 10, the dehumidifier will enter CONTINUOUS MODE where the dehumidifier will run continuously.

(2) Timer Setting

The TIMER function enables you to either delay AUTO-ON or delay AUTO-OFF the dehumidifier in the choice from 1 hour to 24 hours.

- **Setting an AUTO-ON timer:** When the dehumidifier is on standby, selecting Timer will turn the dehumidifier on in the hours that will be set.
- **Setting an AUTO-OFF timer:** When the dehumidifier is running, selecting Timer will turn the dehumidifier off in the hours that will be set.

To Set Timer:

- * Timed startup: When the set timing time is reached, the dehumidifier automatically starts, and the time range can be set to be 0-24 hours.
- * Timed shutdown: When the set timing time is reached, the dehumidifier automatically shuts down, and the time range can be set to be 0-24 hours.
- * Set time to turn on (turn off)
 1. When the dehumidifier is in the dehumidifier state, press the [Timing] key, the timing indicator is on, and the dehumidifier enters the timing startup setting state; When the dehumidifier is on, press the "Timing" key, the timing indicator is on, and the dehumidifier enters the setting state of timing shutdown.
 2. In the setting state of timed startup or timed shutdown, press [Up] or [Down] to set the timing time. After 5 seconds, the display area of the dehumidifier control board does not blink, and the timing setting is complete.
- * Query the remaining timing time
Press [Timing]. The time displayed in the display area of the dehumidifier control panel is the remaining reservation time. The original status will be displayed 5 seconds later.
- * Untiming
Press [Timing] to enter the setting state of timing startup (shutdown), press [up] or [down] to adjust the time to 0 to cancel the setting of timing Settings, timing indicator off.
- * Change the timing time
If you need to change the timing time, reset the timing time.

(3) Drainage

- When water tank is full, the PUMP will automatically start pumping water, and the indicator light will flash.
- When the water level in the water tank is too low, the PUMP will automatically stop pumping water, and the indicator light goes out.
- In the power-on state, long press the "PUMP" button for 3 seconds, the PUMP function is forced to open, the indicator PUMP will flash.
When the water tank is empty, the pump does not start forcibly and the indicator light does not light up.

2. Position Your Dehumidifier

- For optimal outcomes, use your dehumidifier in a confined space.
- Shut all entryways and windows.
- Position it clear of obstructions and avoid anything that could obstruct airflow in or out of the dehumidifier.

Note: Place the dehumidifier on a flat surface to minimize vibration or noise.

3. Setting up the Drainage System

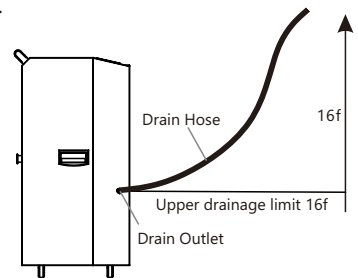
3.1 The dehumidifier comes equipped with an internal pump for drainage, specially designed to handle upward drainage needs.

Note: To prevent any leakage, please ensure the drainage height does not exceed a distance of more than 16.4 feet from the drainage outlet.

3.2 Please connect the provided drain hose to the outlet for secure and effective drainage.

Note: If an alternative drainage hose (inner diameter is 0.197 inches) is used, please ensure it is compatible with the drainage outlet to avoid any risk of leakage.

3.3 During the drainage process, please keep the hose unobstructed and free from twists or kinks. This will enable the smooth removal of condensate water.



Smart Functions

Auto Drain

Thanks to the built-in pump, the dehumidifier will drain the condensation water automatically.

Wait 3 Minutes before Resuming Operation

To avoid any damage to the dehumidifier, the dehumidifier will not start operation following a complete cycle until after 3 minutes. Operation will automatically start after 3 minutes.

Auto Defrost


When the frost builds up on the evaporator coils, the compressor will cycle off and the fan will continue to run until the frost disappears.

Auto-Restart

If the dehumidifier shuts off unexpectedly due to power being cut, the dehumidifier will restart with the previous function setting automatically when the power resumes.

Note: If the dehumidifier has been turned off before power outage, the dehumidifier will not auto restart after the power resumes.

Maintenance

 **Ensure the dehumidifier is turned OFF and the plug is removed from the power socket before cleaning or maintenance is carried out.**

1. Cleaning the Dehumidifier

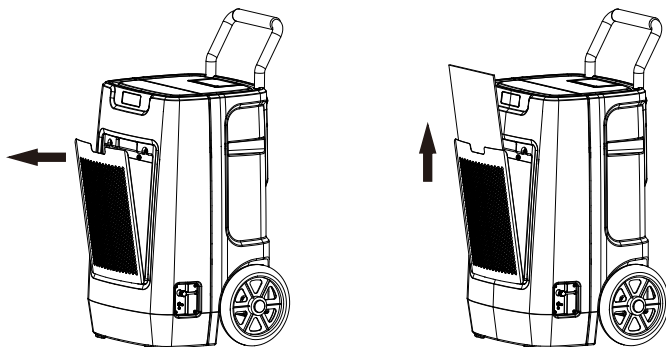
Clean the dehumidifier housing with a soft damp cloth. Do not submerge or place water on the dehumidifier or control panel. Water may damage the electronic components of the dehumidifier. Do not use chemical solvents such as benzene, alcohol, gasoline or other heavy-duty cleaners. The surface may become damaged or deformed.

2. Cleaning the Air Filter

The working performance of the dehumidifier will be greatly reduced if the filters become blocked. Please check and clean the filter regularly.

To Clean the Filter

- 1) Open the air filter cover
- 2) Slide the filter out.
- 3) Vacuum any debris from the filter using the vacuum hose and nozzle attachment.
- 4) Immerse the filter into lukewarm water (about 104°F) with a mild detergent, and then wash it and allow it to dry.
- 5) Once dry, re-install the filter into the dehumidifier.



3. Dehumidifier Storage & Transportation

- 1) Press and hold the PUMP button for 3-5 seconds to empty the water in the pump reservoir before transportation or storage.
- 2) Transport and store the dehumidifier upright.

Trouble shooting guide

Before seeking support from the service team, you can check the following troubleshooting tips:

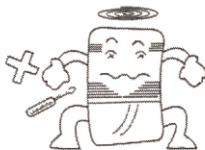
Fault	Cause	Solution
Dehumidifier not working	1.The fuse is blown 2.Machine failure prompt	1.Replace the fuse; 2.Please provide the fault code and seek technical support from ANDTE;
Dehumidifying effect is not obvious	1.Air filter fouling; 2.There are obstacles in the air inlet and outlet of the dehumidifier; 3.The space is not sealed; 4.Refrigerant leakage;	1. Clean the filter; 2.Remove obstacles; 3.Close the doors and windows, the dehumidification effect of the confined space is more obvious; 4.Please contact ANDTE for technical support;
Water leakage	1.Machine tilt; 2.The outlet pipe is Blocked;	1.Adjust the machine and place it horizontally; 2.Remove the access door to remove the foreign matter blocked in the pipe;
Abnormal noise	1.The machine is not placed smoothly; 2.Is the filter blocked;	1.Relocate the machine to a stable place; 2.Clean the filter;
Humidity always shows "10"(when there is a big difference from the actual humidity)	Humidity sensor failure	1.When the "10" fault phenomenon is always displayed, the humidity is set to 10%RH, and the machine can still continue to run and be used normally; 2.Repair and replace the humidity sensor;
Humidity always shows "99"(when there is a big difference from the actual humidity)	1.The surface of the humidity sensor os condensed or wetted with water; 2.Humidity sensor failure	1.When the "99" fault phenomenon is displayed all the time, the machine can still continue to dehumidify and operate normally; 2.After the machine has been running for a period of time, when the moisture on the surface of the humidity sensor dissipates,ig can automatically remove the fault and resume normal operation; 3.Repair and replace the humidity sensor;

1. When the above fault cannot be eliminated and it is confirmed that repair is required, please contact the ANDTE support, please do not disassemble the machine for repair without authorization.
2. When the dehumidifier is running or stopped, it is normal to hear the sound of refrigerant circulating.
3. It is normal for hot air to be discharged from the air outlet.

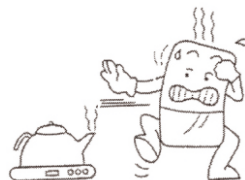
Safety Precautions



1. When using, do not place the dehumidifier on soft, uneven ground to avoid vibration or movement.



2. Do not use thin rods or hard objects to insert into the fuselage to avoid malfunction or danger.



3. When using, please keep the dehumidifier away from heat sources such as heaters and electric kettles to save electricity.



4. When using, please close the doors and windows to achieve the best dehumidification effect.



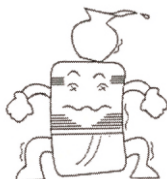
5. Do not place items before and after the dehumidifier. If the ventilation is blocked, the dehumidification effect will be affected.



6. In case of power failure or long-term non-use, please unplug the power cord.



7. When cleaning the dehumidifier, gently wipe it with a damp cloth, do not directly spray water to clean it.



8. Do not place any objects on the dehumidifier.



9. Please clean the filter every two weeks (do not use hot water above 104°F/40°C, alcohol, gasoline, or toluene).



10. During continuous drainage, the drainage pipe must be placed horizontally or downwards, and must not be uneven or entangled.





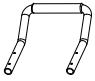

11. After the filter is cleaned, please do not place it in direct sunlight to dry it to avoid deformation.



12. Before moving or carrying the dehumidifier, please pour out the accumulated water in the water tank.

Parts List & Schematic diagram of flange installation

1. Parts list:

Picture	Name	Quantity
	Gravity Drain hose	1PCS
	Pump Drain hose	1PCS
	Round Pipe handle	1PCS
	Rubber head screws with plum blossoms	4PCS

Warranty and Service

If you have an issue with an ANDTE product, please contact us at Andteusa@outlook.com, and we will do our best to resolve it for you.



Support Hours

24 Hours available

*Please have your order number before contacting customer support.





ANDTE