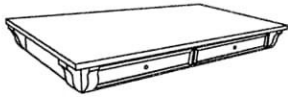


ASSEMBLY INSTRUCTION

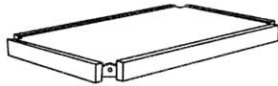
KITCHEN ISLAND

A TABLE TOP



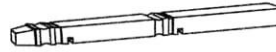
1 PC

B SHELF



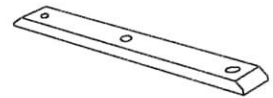
2 PCS

C TABLE LEG



4 PCS

D MOUNTING PLATE



2 PCS

E ALLEN WRENCH
M4



1 PC

F JCBC BOLT
M6 x 40MM



10 PCS

G JCBC BOLT
M6 x 60MM



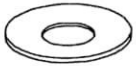
8 PCS

H SPRING WASHER
M6



18 PCS

I FLAT WASHER
M6



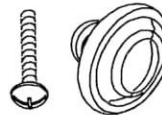
18 PCS

J LEVELER



4 PCS

K HANDLE AND SCREW

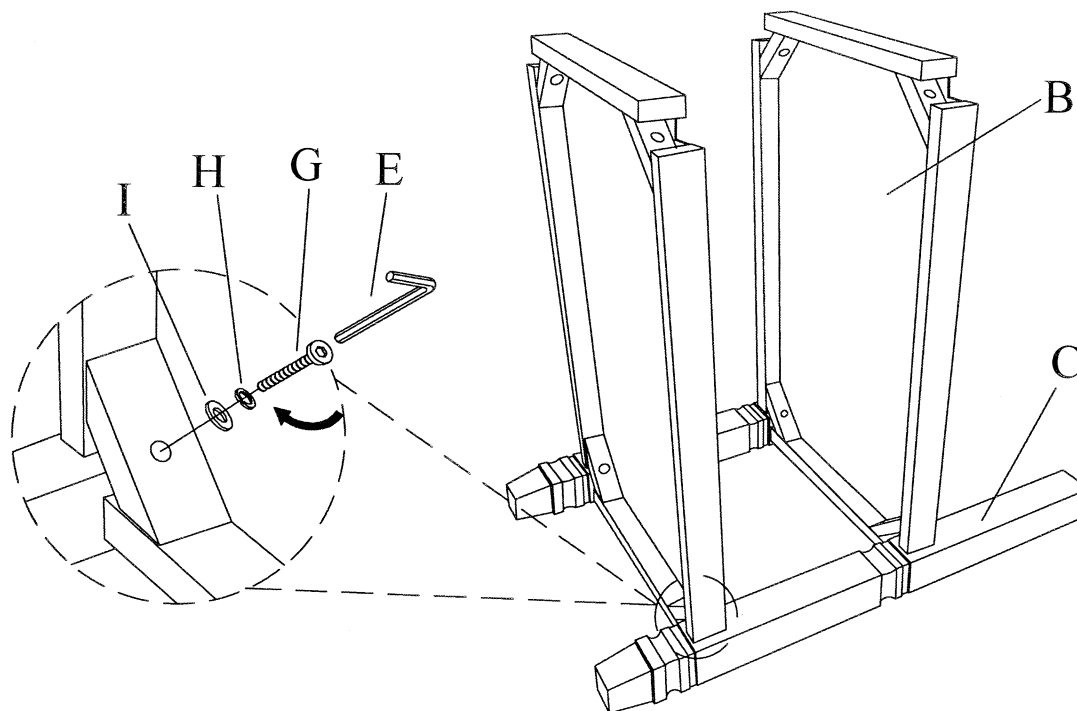


2 PCS

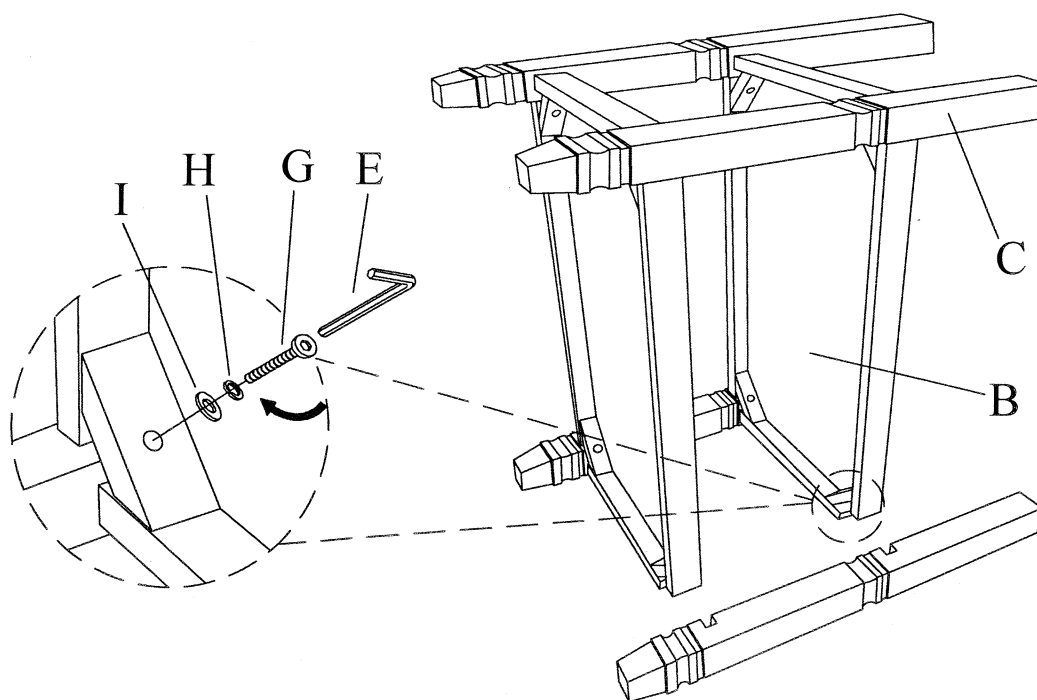


This Page lists all the contents included in the box . Please take the time to identify the hardware as well as the individual components to this product. As you unpack and prepare for assembly, place the contents on a carpeted or padded area to protect them from damage.

- 1** Attach shelf (B) to table leg (C) using JCBC bolt (G), spring washer (H) and flat washer (I). Do not fully tighten with allen wrench (E).

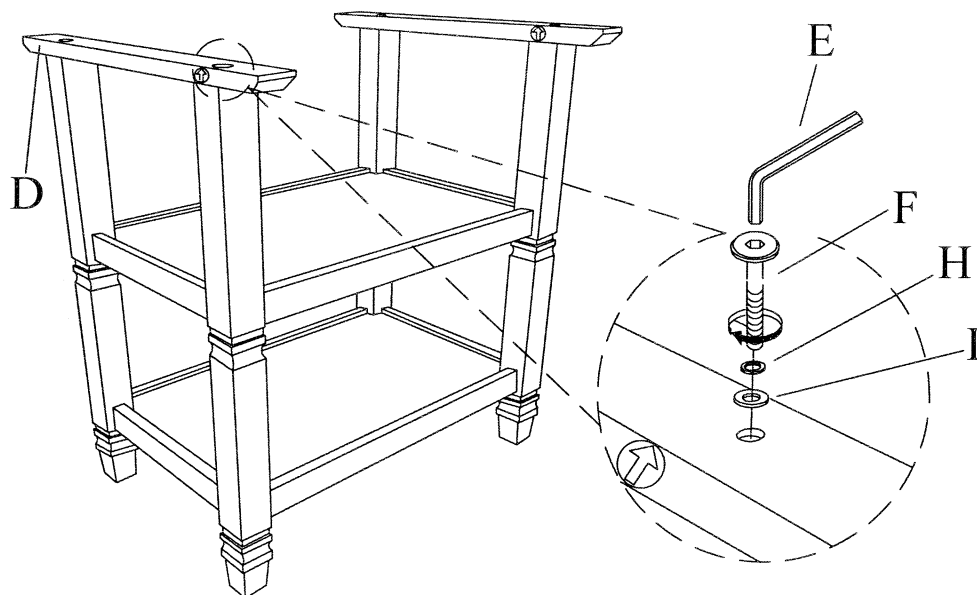


- 2** Attach the other table leg (C) to shelf (B) using JCBC bolt (G), spring washer (H) and flat washer (I). Do not fully tighten with allen wrench (E).



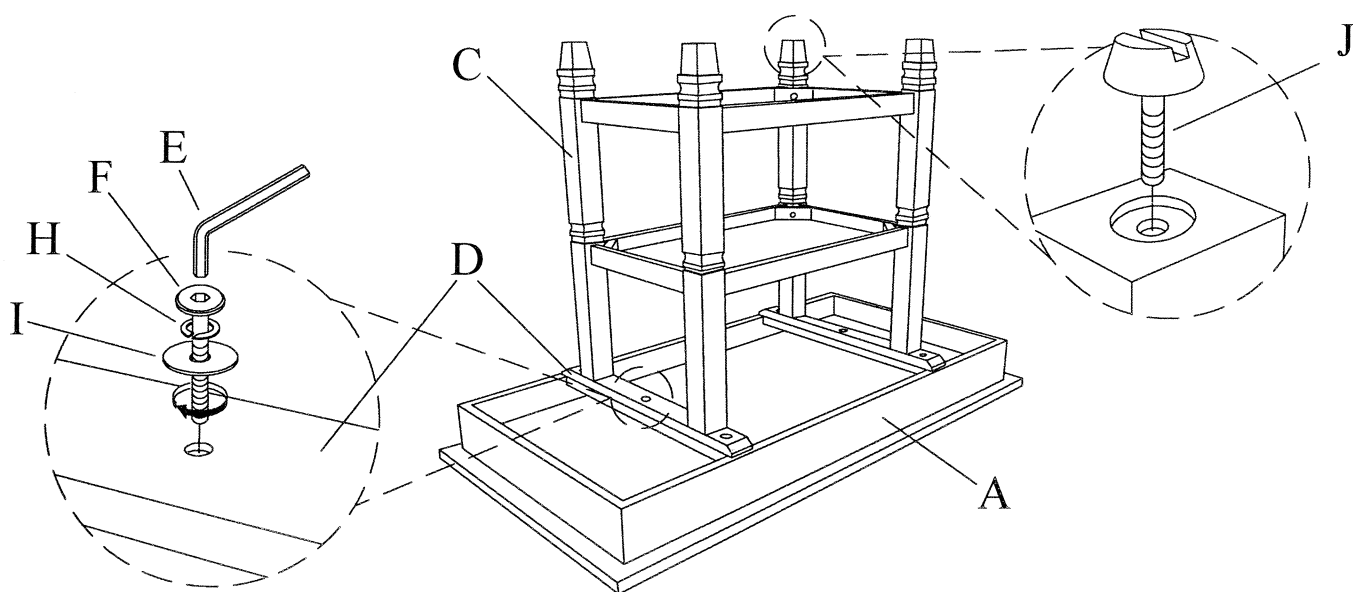
3 Align and fasten mounting plate (D) with sticker arrow as shown below to table leg using JCBC bolt (F), spring washer (H) and flat washer (I). Tighten with allen wrench (E).

**** Do not fully tighten the bolt until all bolts are attached.**



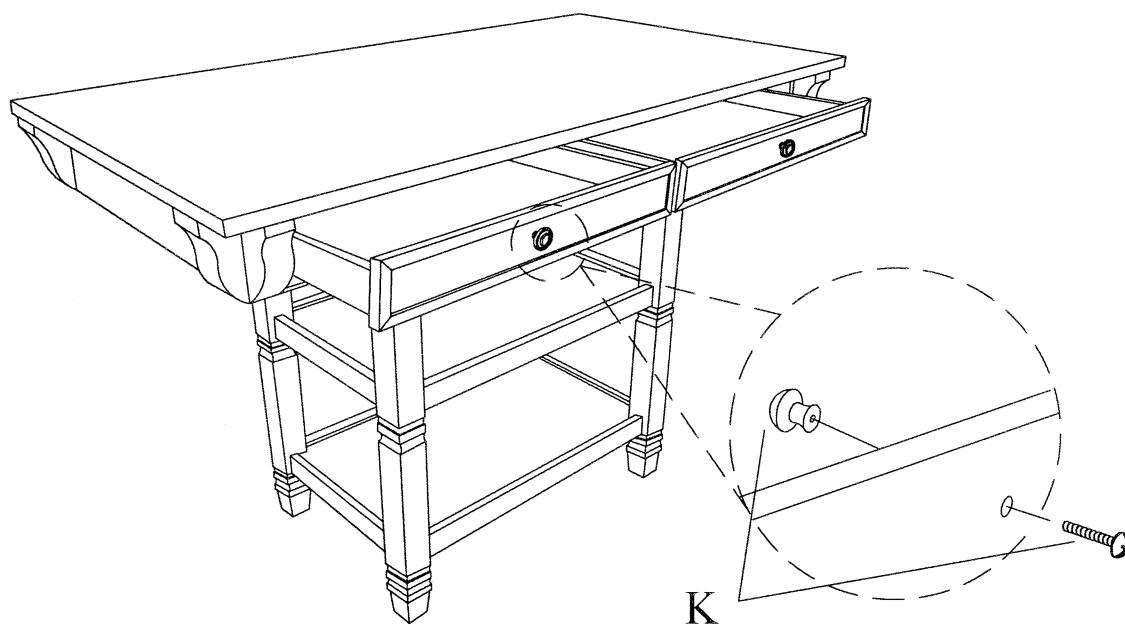
4 Place table top (A) upside down on soft surface. Align and fasten mounting plate (D) to other mounting plate on table top (A) by using JCBC bolt (F), spring washer (H) and flat washer (I) and tighten with allen wrench (E). Screw in the leveler (J) to bottom of table leg (C).

**** Do not fully tighten the bolt until all bolts are attached.**



Stand table up on the flat surface and check that it is balanced. If there is slight wobble, please adjust the leveler.

-
- 5** Align and fasten handle (K) to drawer head using screw. Tighten with screw driver (not provided).



Cleaning & Care

Treat Surface with care. Surface is resistant to scratches but is not scratch resistant. Clean surface with a dry or damp soft cloth. Do not use abrasive cleaners. Hardware may loosen over time. Periodically check that all connections are tight.