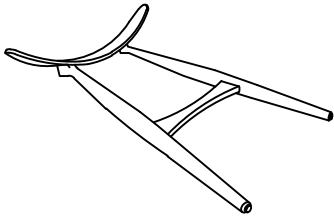


# ASSEMBLY INSTRUCTION

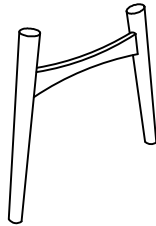
## (3A) SIDE CHAIR

**A** Back Rest



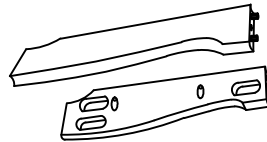
1pc

**B** Front Leg Frame



1pc

**C** Side Rail (Left & Right)



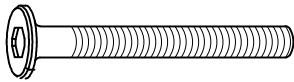
2pcs

**D** Cushion



1pc

**E** Jcbc Bolt M6 x 50mm



6 pcs

**F** Spring Washer M6



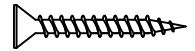
6 pcs

**G** Flat Washer M6 x 13mm



6 pcs

**H** CSK CB Screw M4 x 32mm

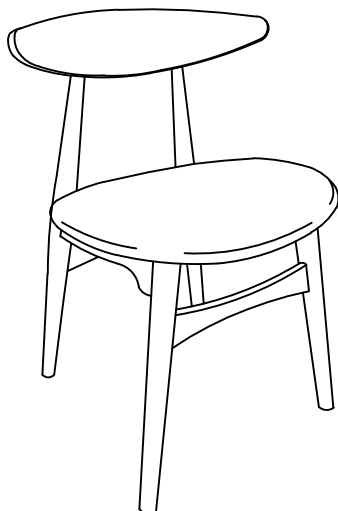


4 pcs

**I** Allen Key M4 x 110



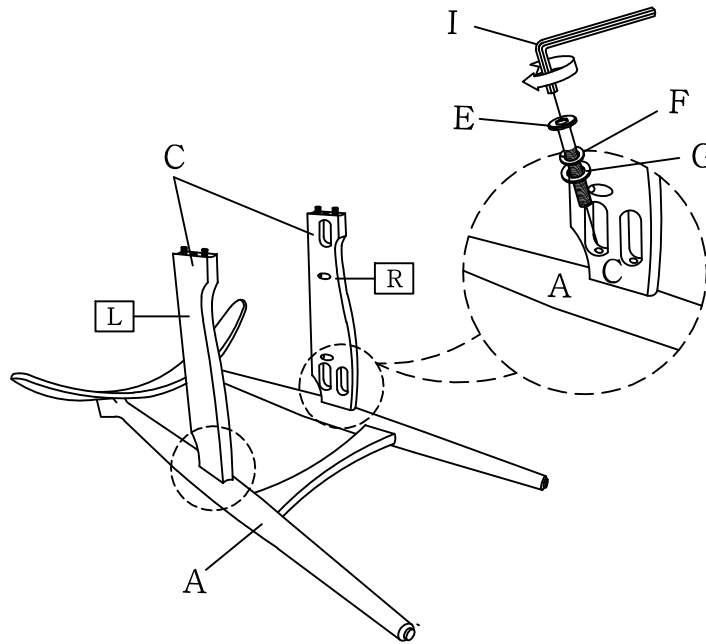
1pc



This page lists all the contents included in the box. Please take the time to identify the hardware as well as the individual components to this product. As you unpack and prepare for assembly, place the contents on a carpeted or padded area to protect them from damage.

**1**

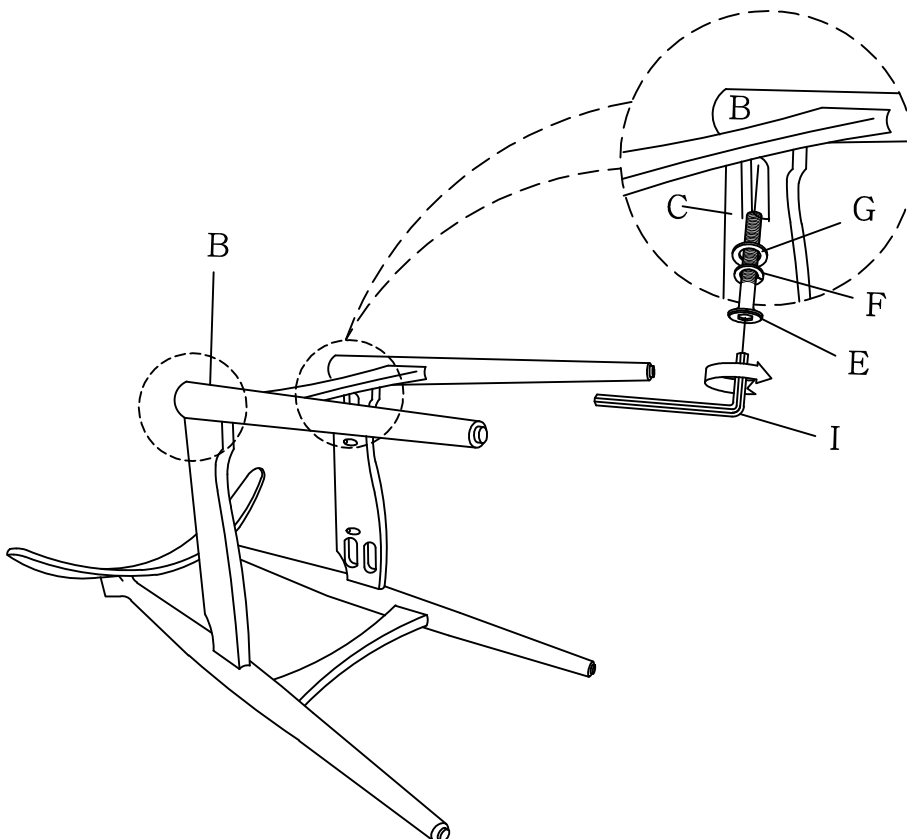
Put the Back Rest (A) upside down on the soft and smooth surface. With assistance attach Side Rail (C) Left & Right onto Backrest (A). Then insert Jcbs Bolt (E), Spring Washer (F) and Flat Washer (G) into predrilled holes of each Side Rail, by using Allen Key (I). Do not fully tighten the bolts in this step.



Take the Allen Wrench, and turn the bolts until the legs are secure. **DO NOT TIGHTEN COMPLETELY.** Stop when you feel you are adding force to tighten the bolt.

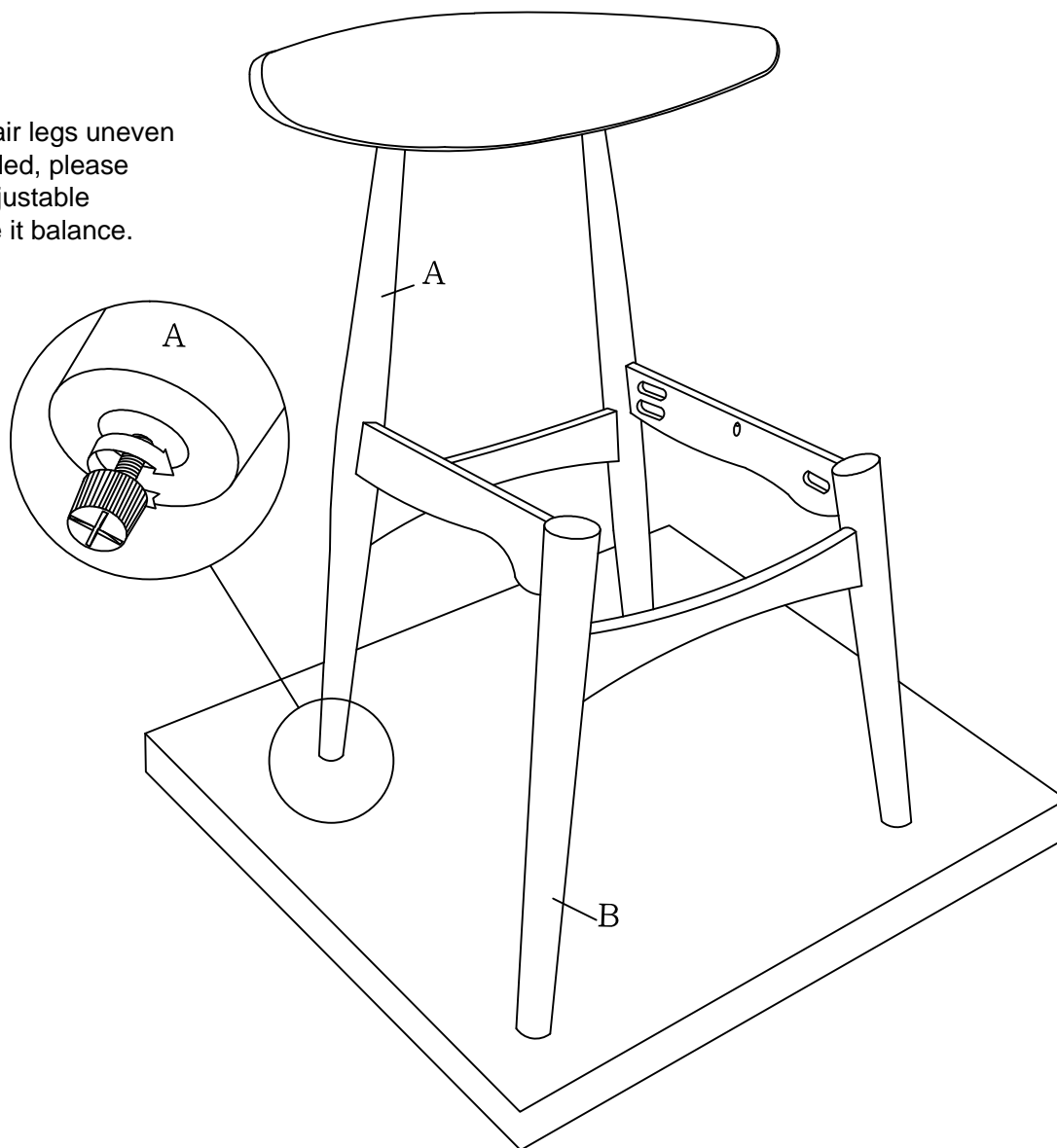
**2**

Attach Front Legs (B) onto Side Rail (C), insert Flat Washer (G), Spring Washer (F) and Jcbs Bolt (E) using Allen Key (I).



**3** Stand chair up on an even surface and check that it is balanced. If there is a slight wobble, apply downward pressure on each corner where a leg is uneven. Keeping pressure in that corner, tighten all bolts. If balanced, apply downward pressure evenly in the center and tighten all bolts. Do not over-tighten beyond hole depth.

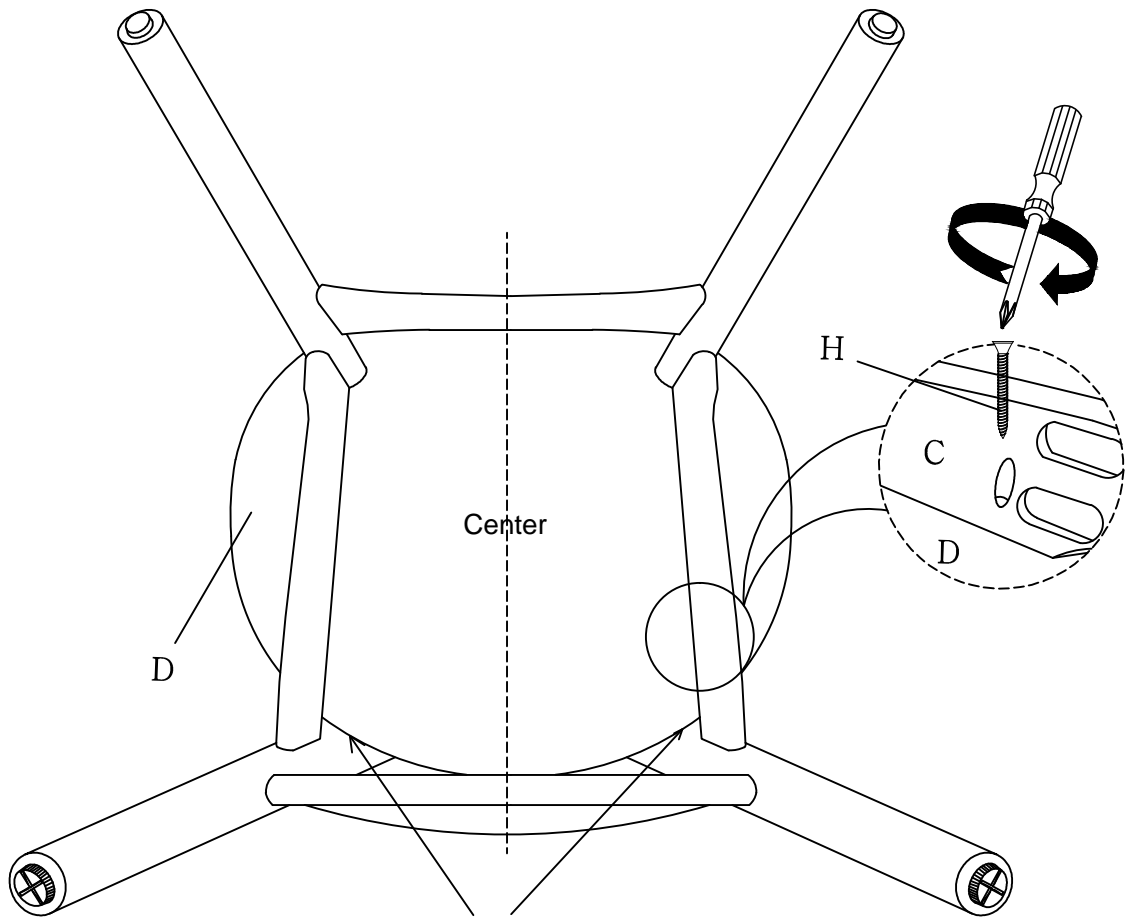
While the chair legs uneven after assembled, please adjust the adjustable glide to make it balance.



*Helpful Tip:* -Have someone applying downward pressure on the chair while you tighten the bolts.

4

Attach Cushion Seat (D) with Csk-Cb Screw (H) by using Screwdriver (not included). Tighten all wood screws in this step.



#### Cleaning & Care

Treat surface with care. Surface is resistant to scratches but is not scratch resistant. Clean surface with a dry or damp soft cloth. Do not use abrasive cleaners. Hardware may loosen over time. Periodically check that all connections are tight.