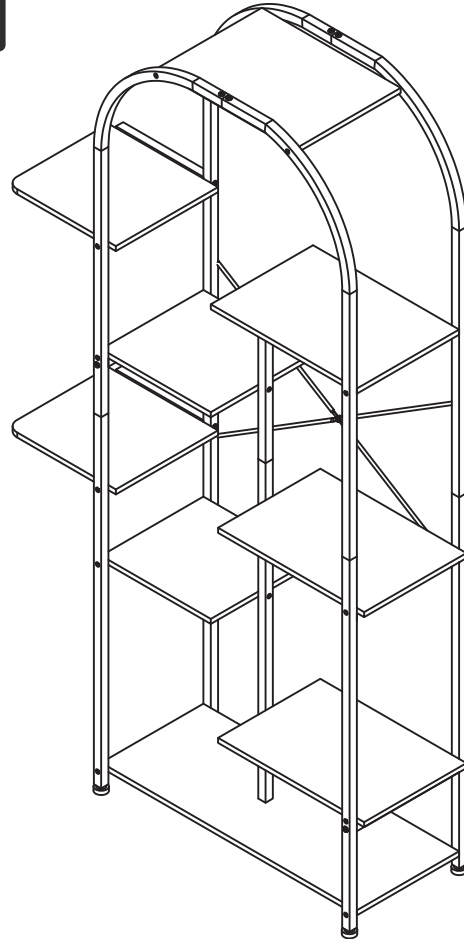


# Plant Stand Indoor with Grow Lights

## Assemble Instructions



# Accessory List.....



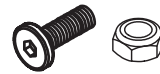
1# 7PCS



2# 25PCS



3# 30PCS



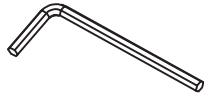
4# 1PC



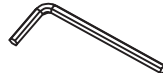
5# 1PC



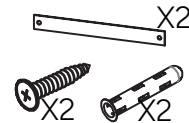
Foot pad\*5



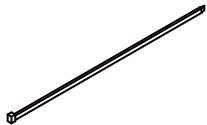
Large wrench\*1



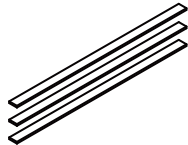
Small wrench\*1



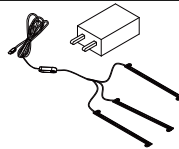
6# 6PCS



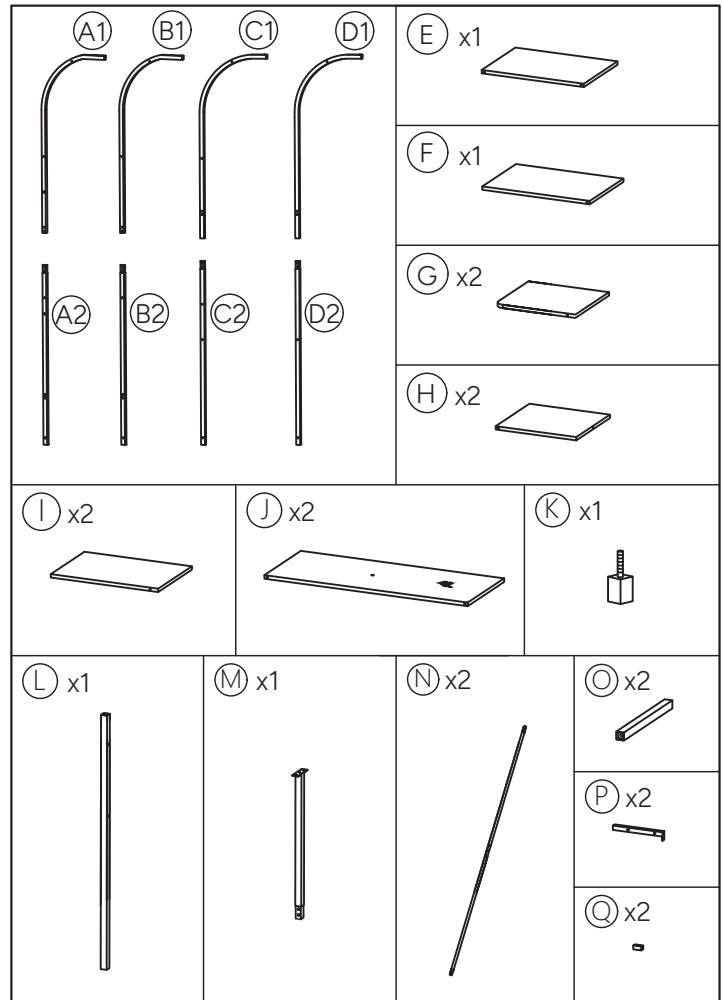
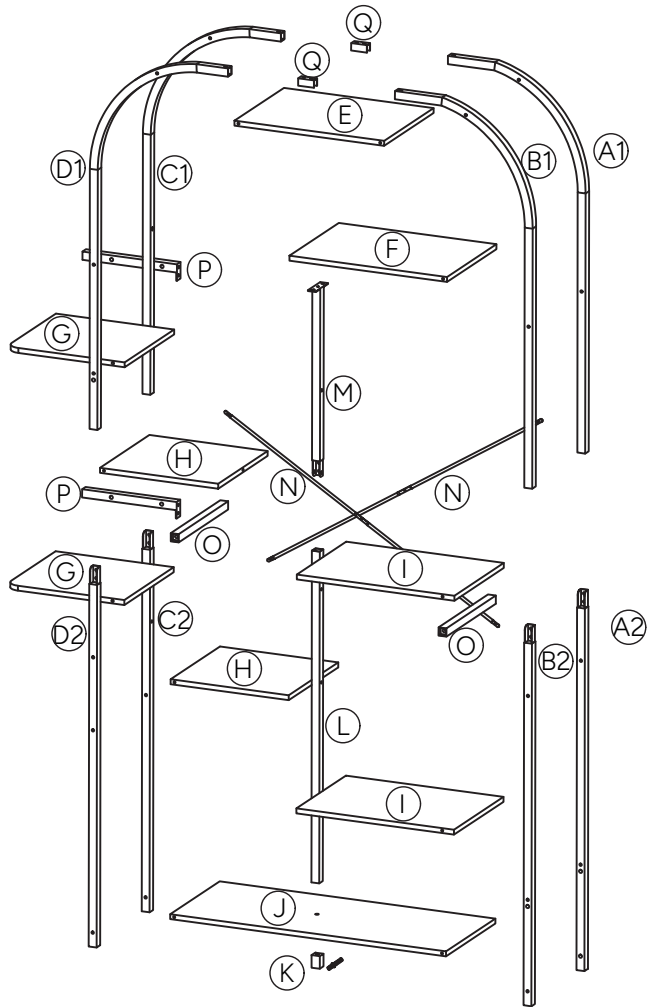
Cable zip ties\*15



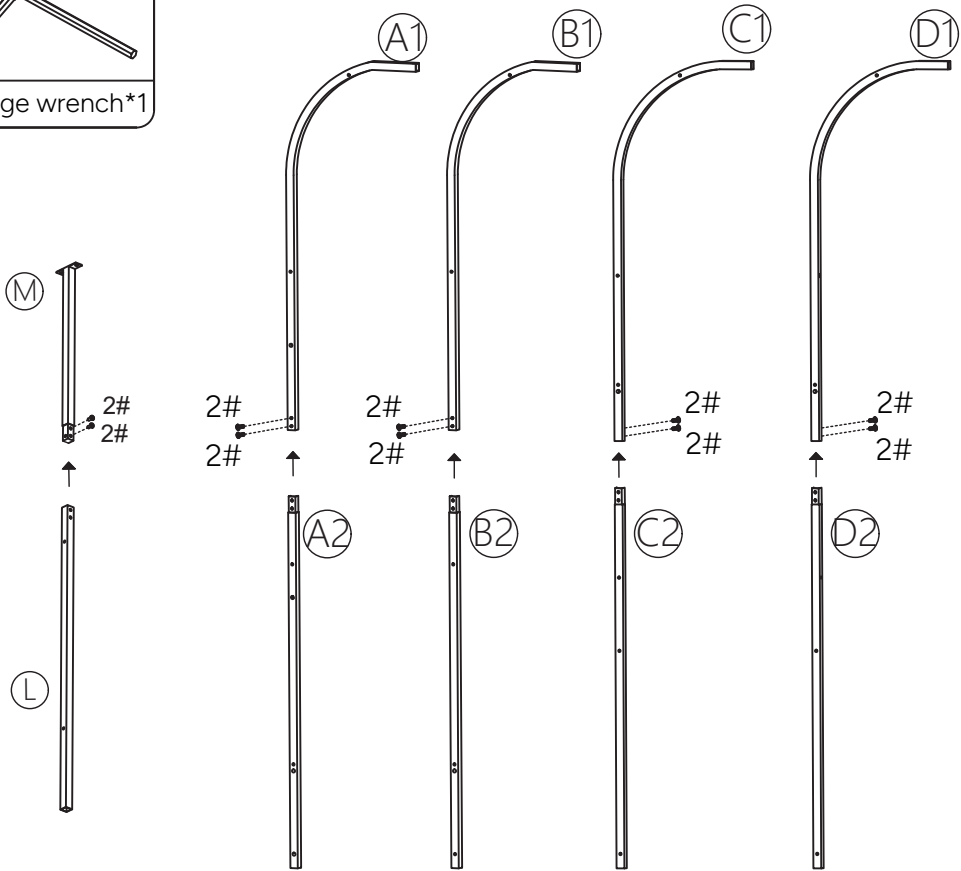
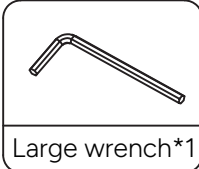
3M\*3



Plant growth lamp\*1



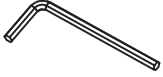
# STEP 1



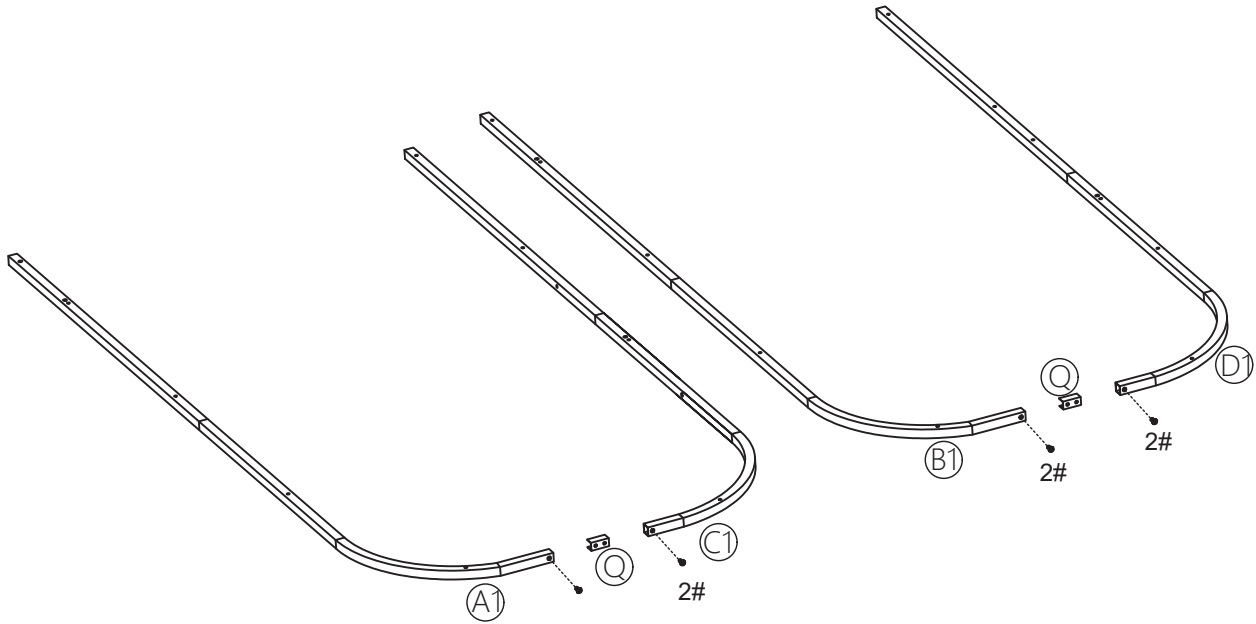
# STEP 2



2# 4PCS



Large wrench\*1



# STEP 3



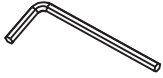
4# 1PC



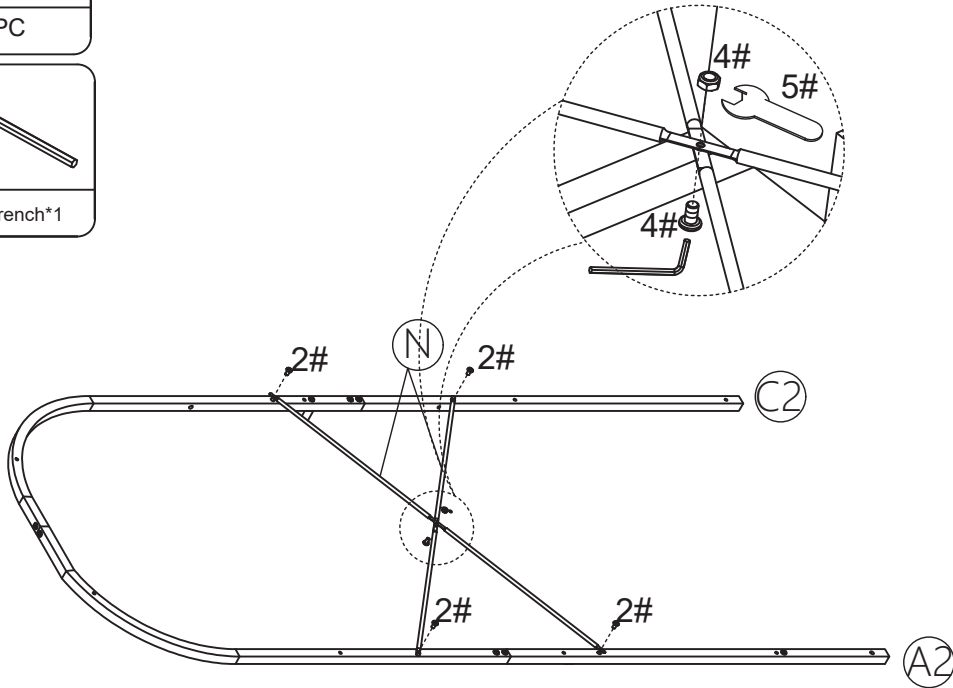
5# 1PC



2# 4PCS



Large wrench\*1



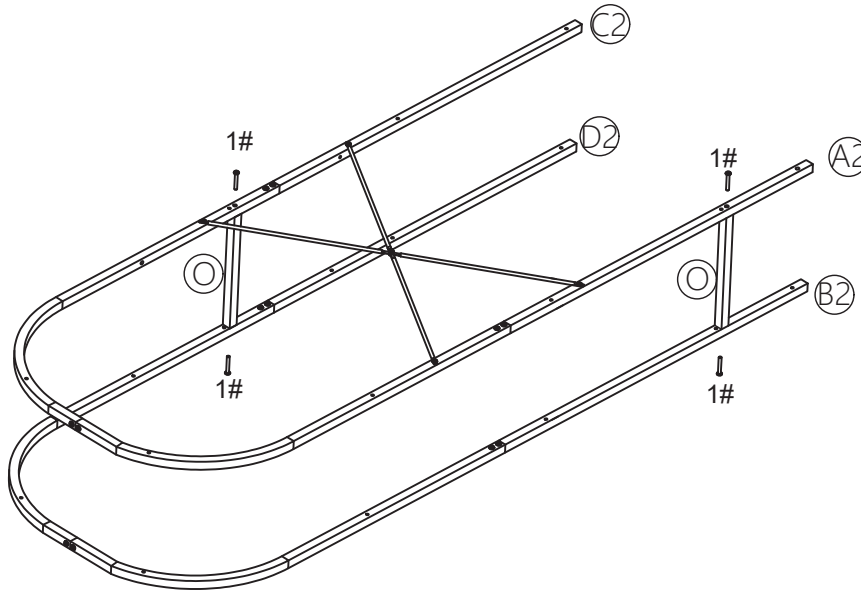
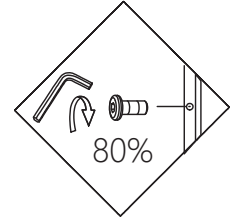
# STEP 4



1# 4PCS



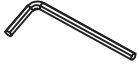
Large wrench\*1



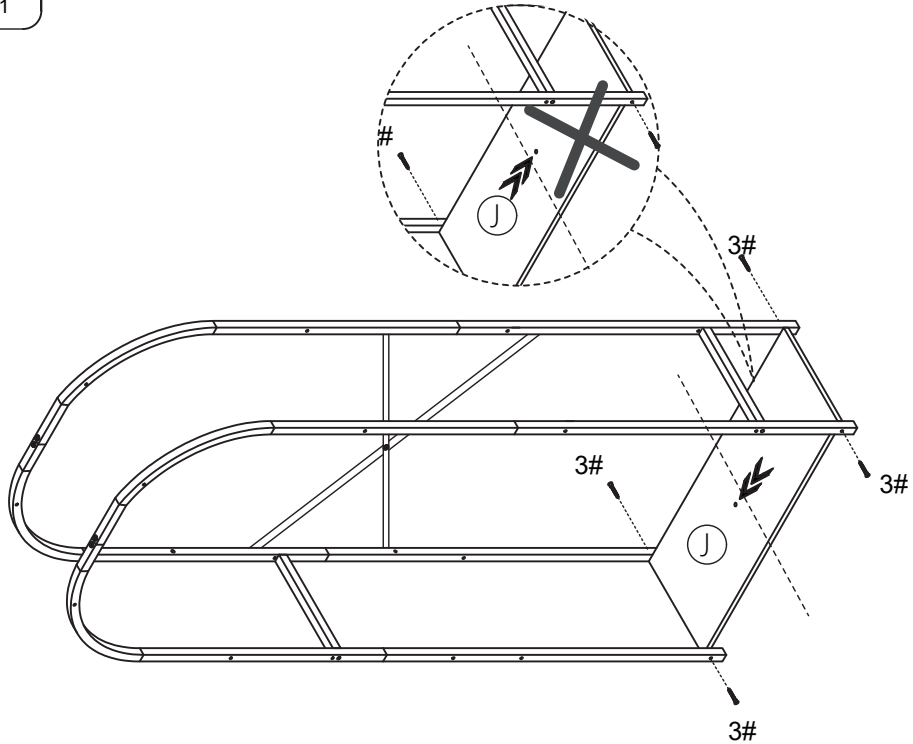
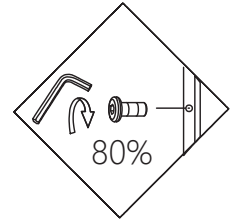
# STEP 5



3# 4PCS

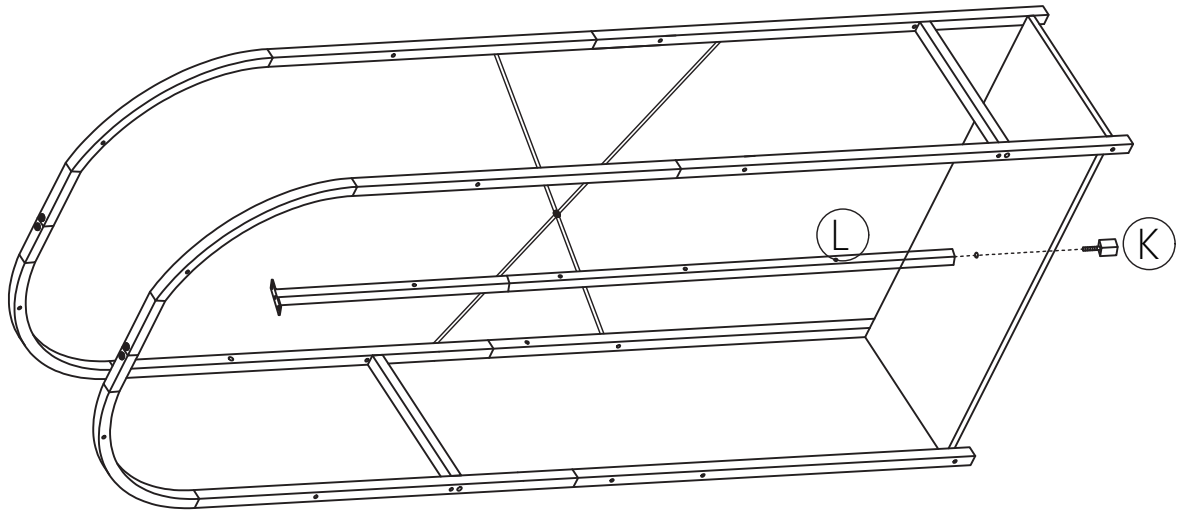


Small wrench\*1



# STEP 6

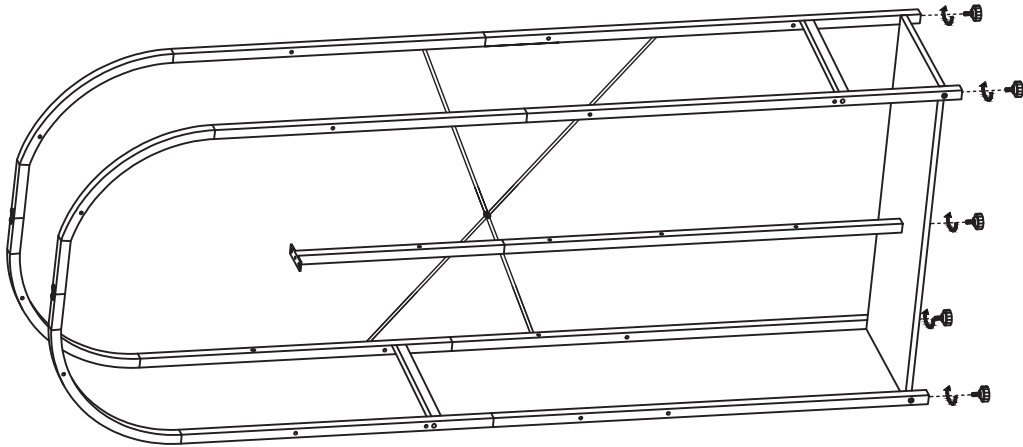
---



# STEP 7



Foot pad\*5



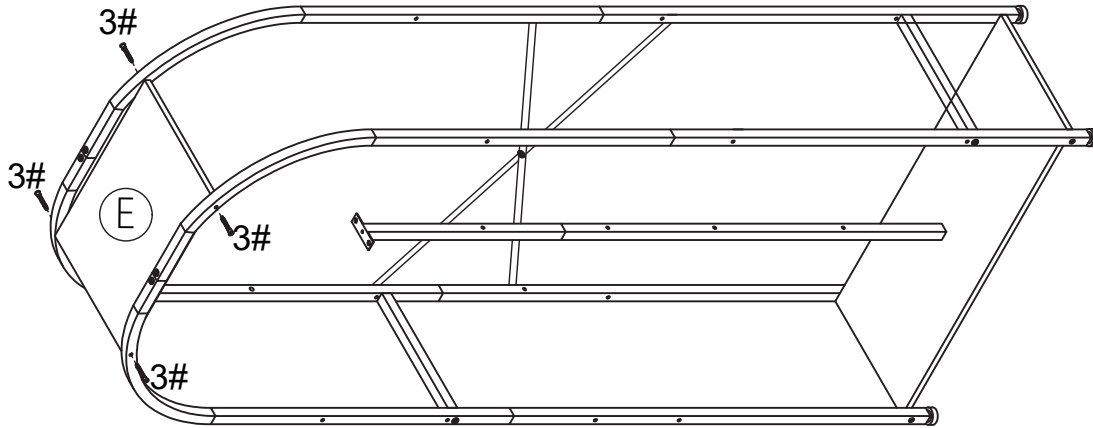
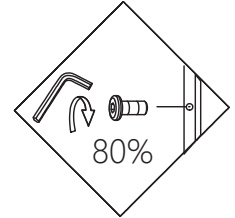
# STEP 8



3# 4PCS



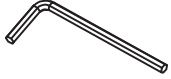
Small wrench\*1



# STEP 9



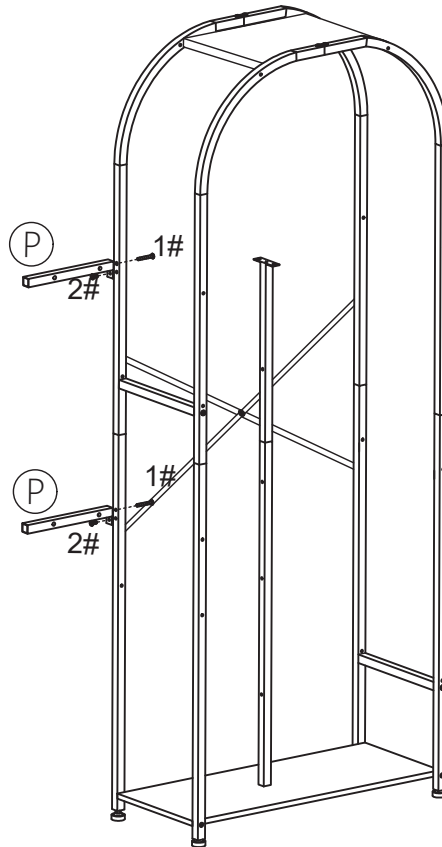
1# 2PCS



Large wrench\*1



2# 2PCS



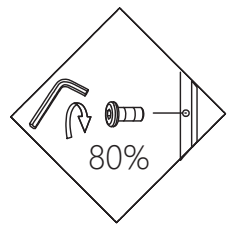
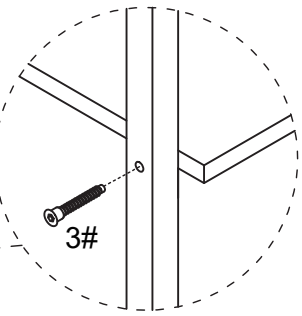
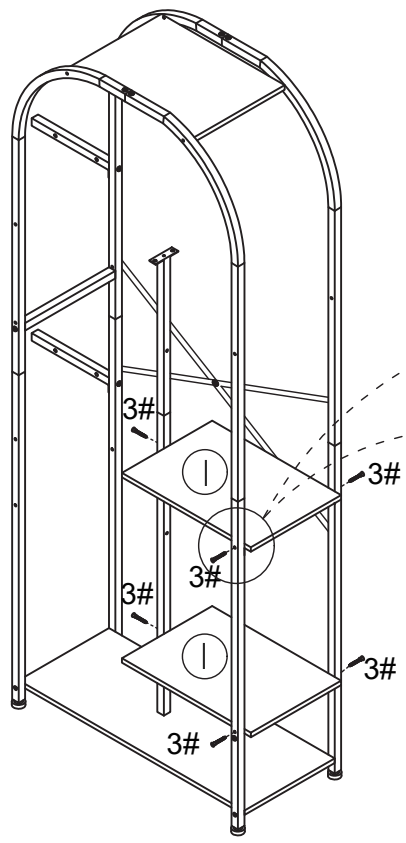
# STEP 10



3# 6PCS



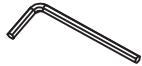
Small wrench\*1



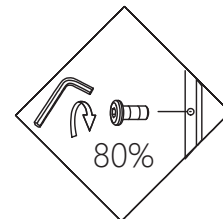
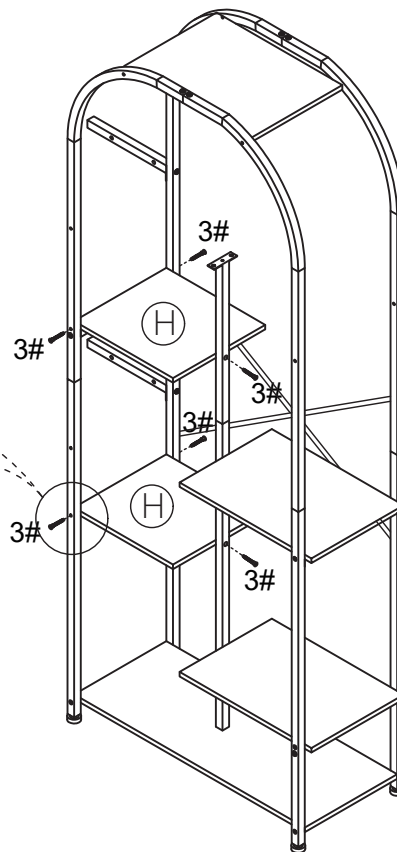
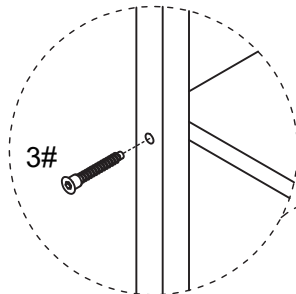
# STEP 11



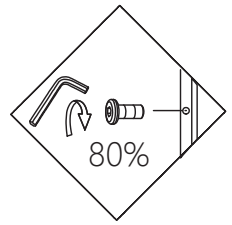
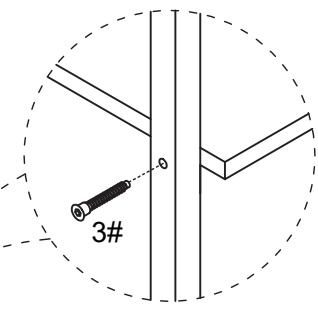
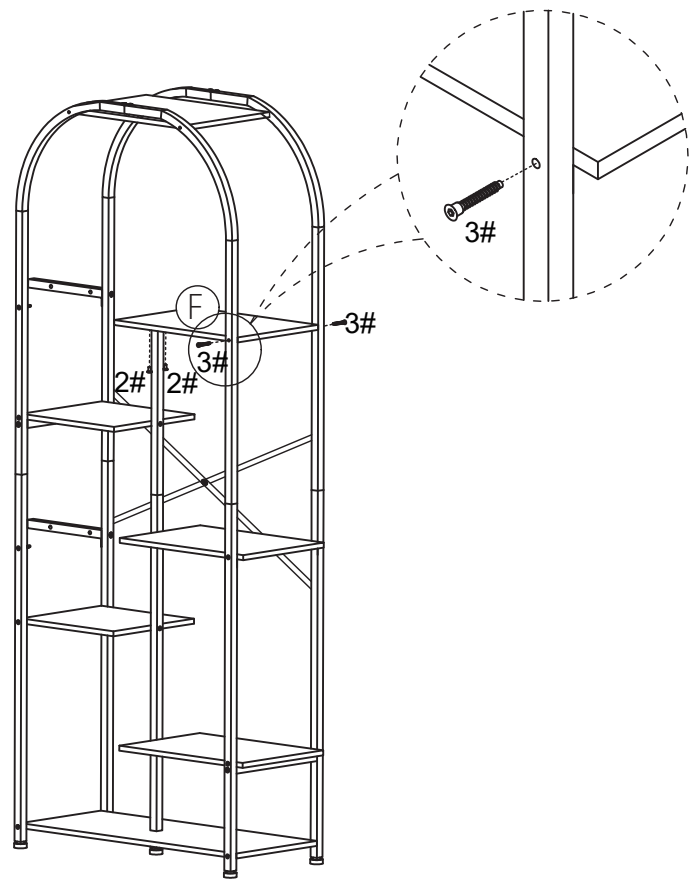
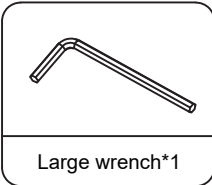
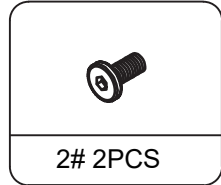
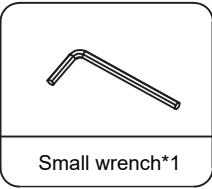
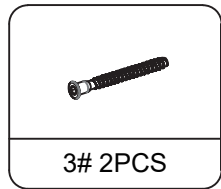
3# 6PCS



Small wrench\*1



# STEP 12



# STEP 13

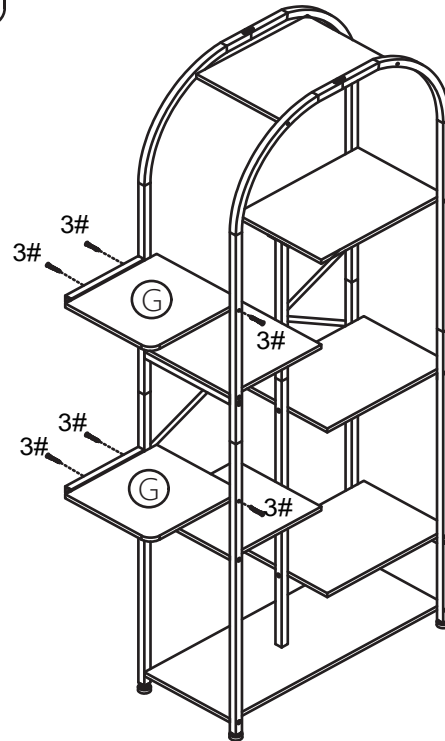
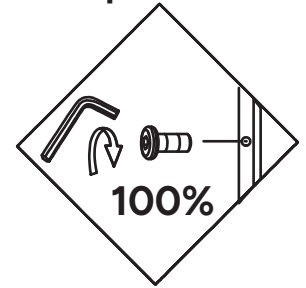


3# 6PCS

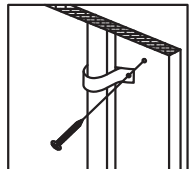
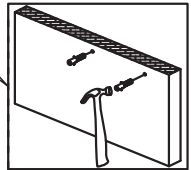
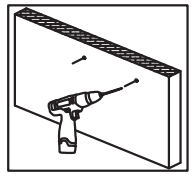
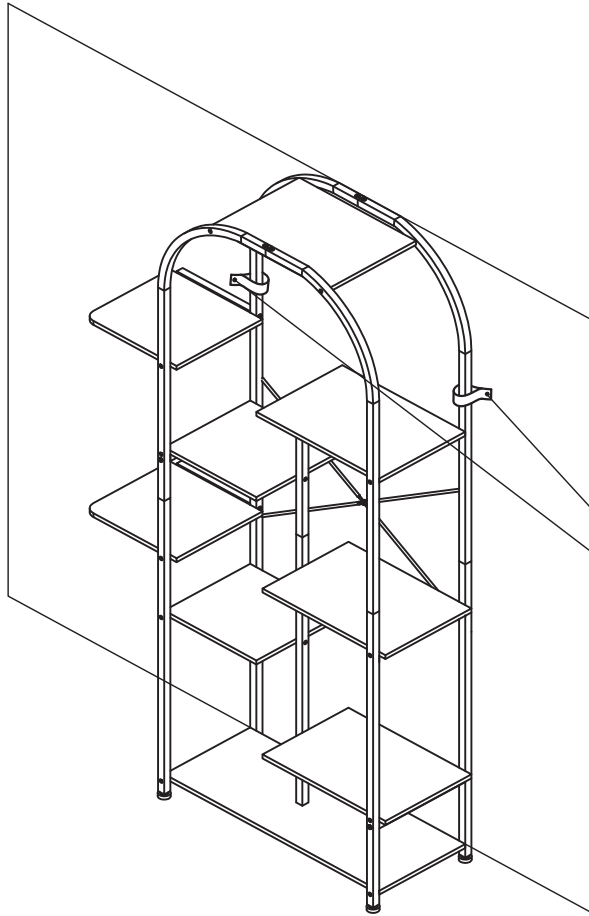
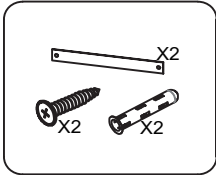


Small wrench\*1

**Note: tighten the screws in the above steps to 100%**



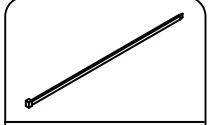
# STEP 14



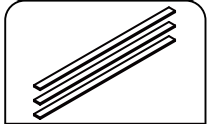
# STEP 15



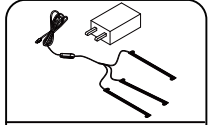
6# 6PCS



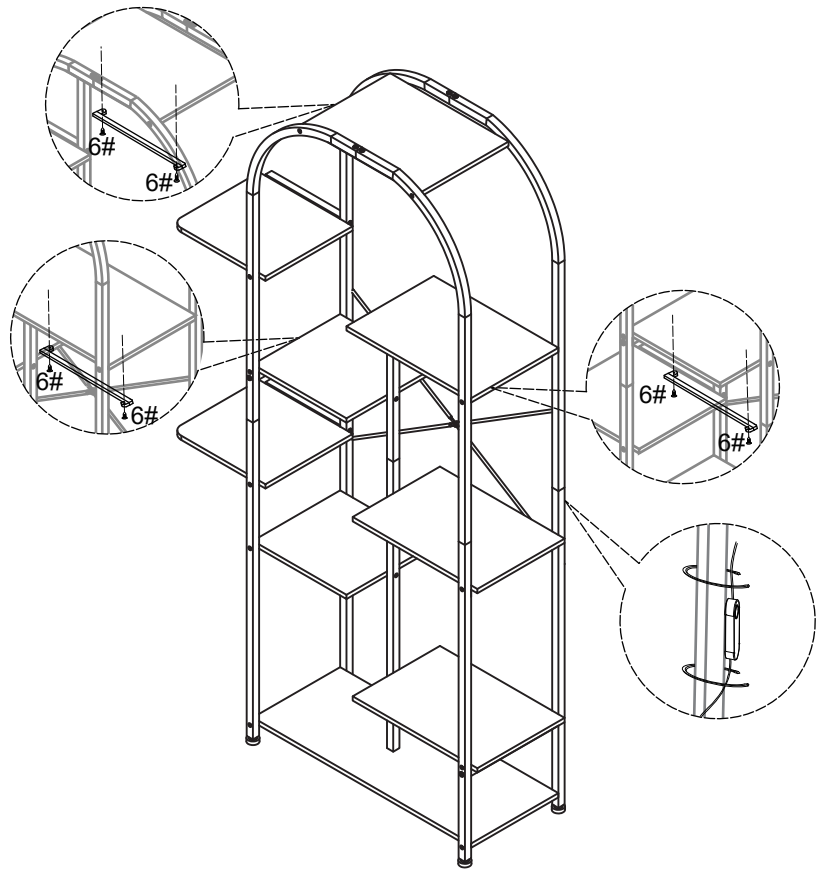
Cable zip ties\*15



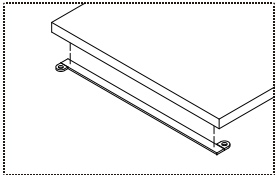
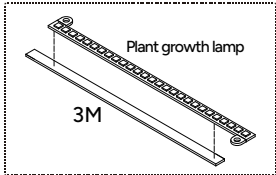
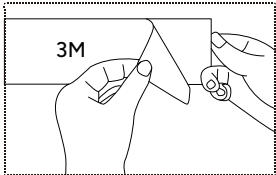
3M\*3



Plant growth lamp\*1



Method 1



Method 2

