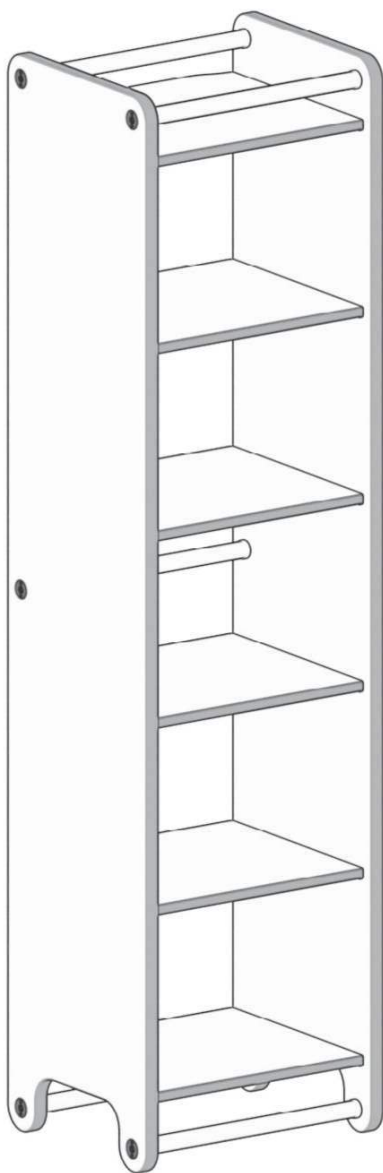




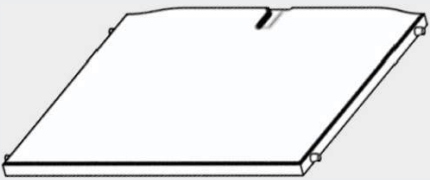
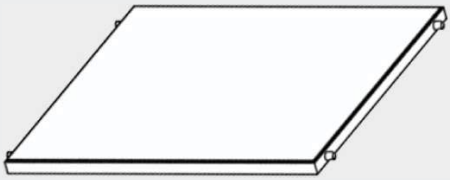



Installation & Assembly



In order for warranty conditions to be valid, please follow the instructions on the manual. For an easy and efficient assembly, we recommend placing all the parts on a flat surface and reading the manual carefully. Once placed, match all the parts with the instruction manual

Part List ▾

Part No **1** Piece **x1**

1		x1
2		x5
3		x1
4		x5
5		x1
6		x5
7		x1

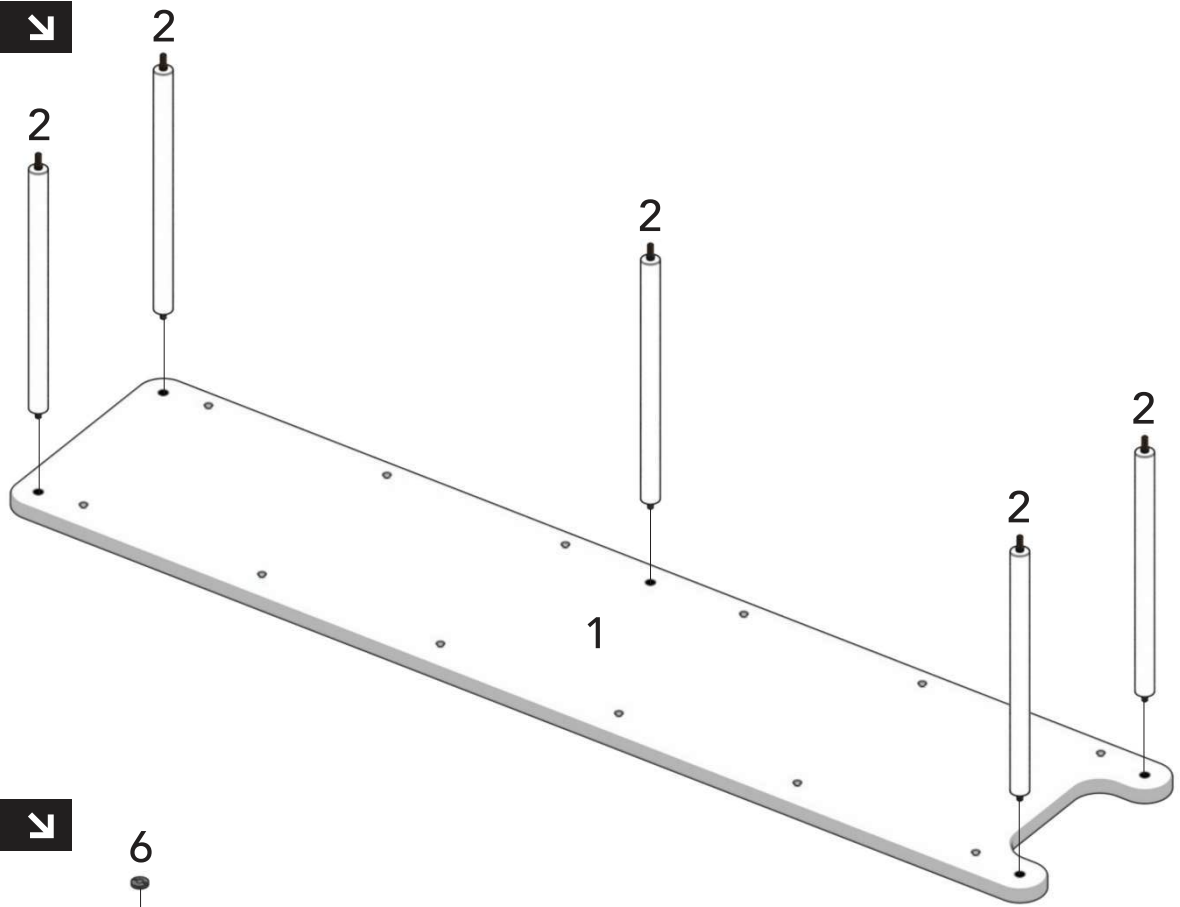
Step 1 ▾

Remove the protective caps before assembly.



2

Step 2 ↘



Step 3 ↘

