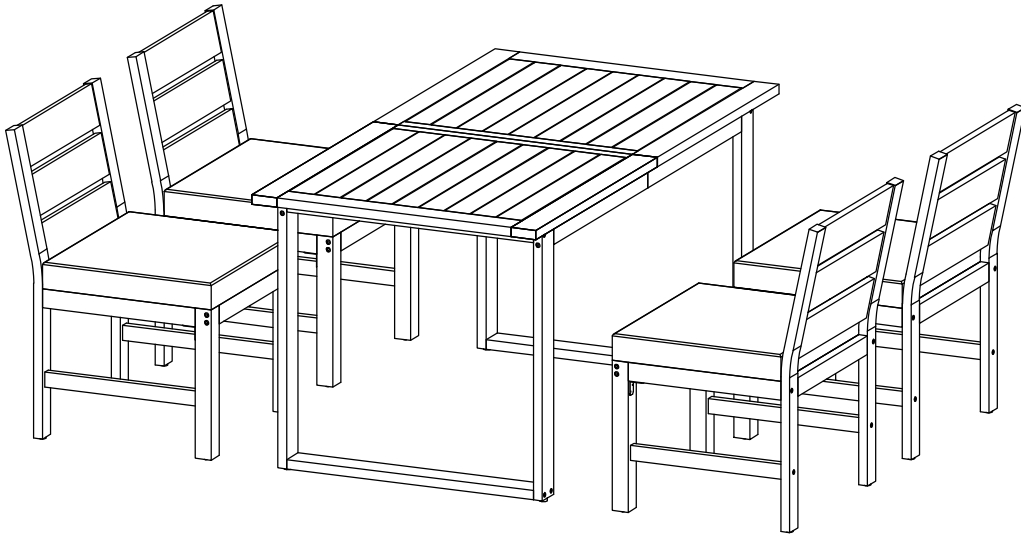


ASSEMBLY INSTRUCTION

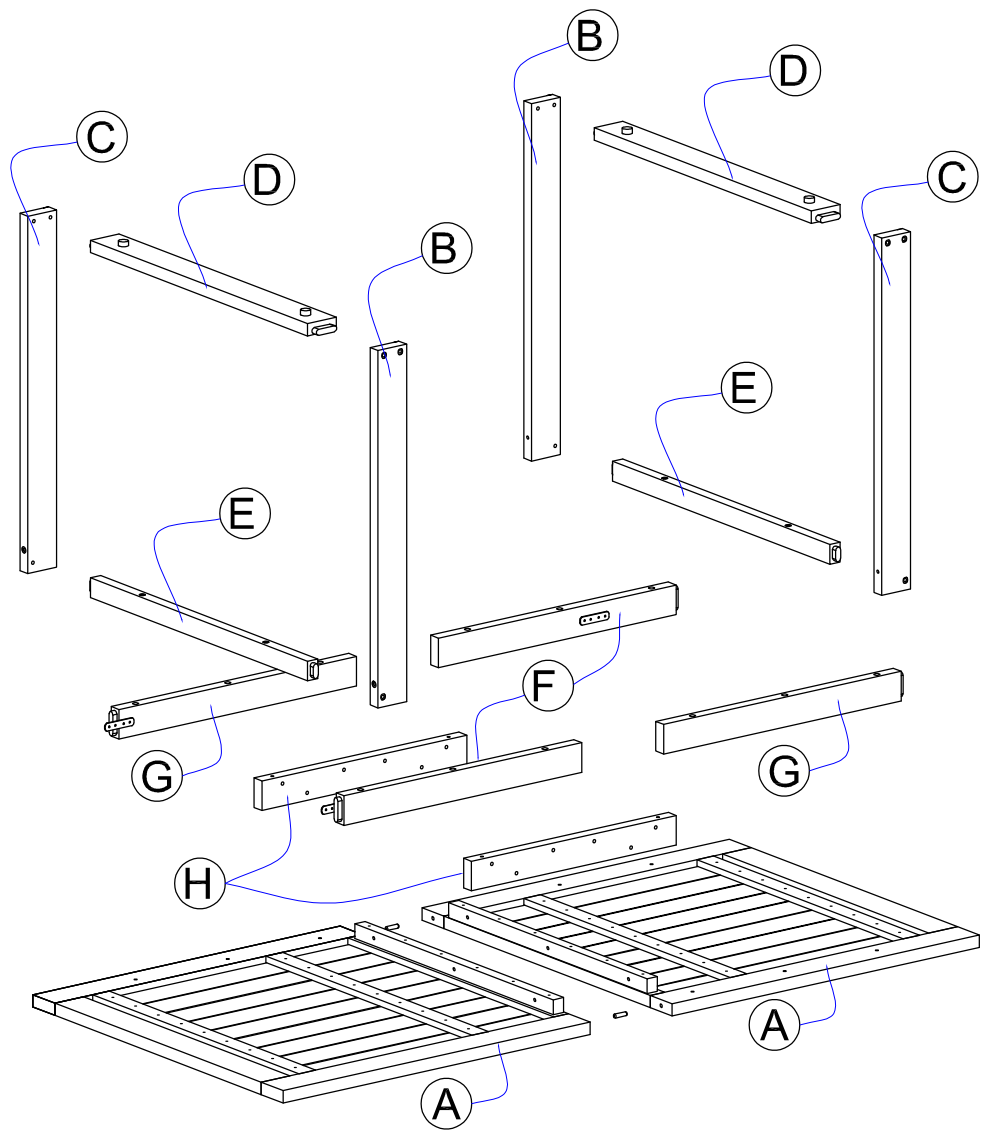
WOODEN DINING SET



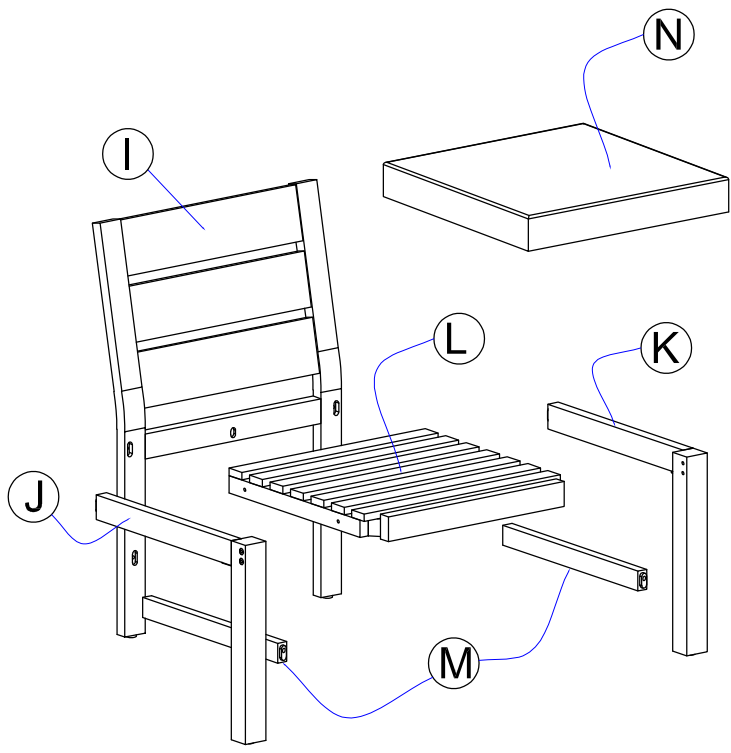
N711P453631- N711P453632- N711P453633

Notice

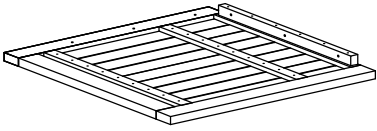
1. 50% Tighten before fixings all screws, Allen wrench is recommended instead of an electric drill.
2. Place the item on a flat ground to adjust and make sure it remains stable.
3. Tighten up all screws with tools gradually.
4. If the screws are not aligned with holes during assembly, please loosen all the other screws to 50% and continue the assembly process.
5. If the item is not stable, please loosen all the screws, adjust it on a flat ground and tighten up all screws again.
6. Note: If one or more screws are fully tightened during assembly, chances are the others will not be aligned with holes. In addition, all the holes are designed to be relatively larger to provide more space for the adjustment of the screws.



X4



A



2 pcs

B



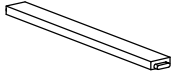
2 pcs

C



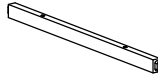
2 pcs

D



2 pcs

E



2 pcs

F



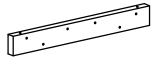
2 pcs

G



2 pcs

H



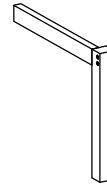
2 pcs

I



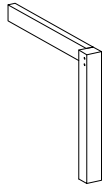
4 pcs

J



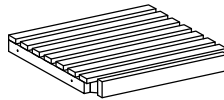
4 pcs

K



4 pcs

L



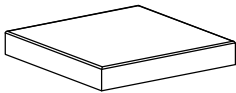
4 pcs

M



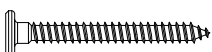
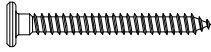


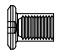
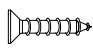





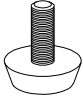
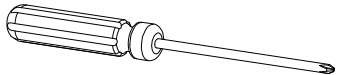


8 pcs

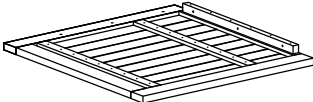


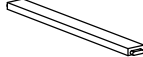
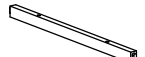


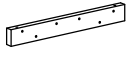
N




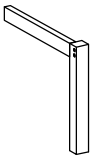
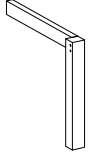
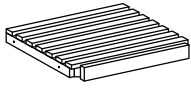
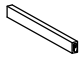
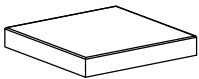
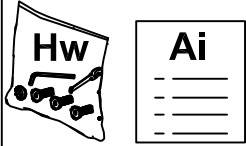
4 pcs

<p>1</p>  <p>SCREW M6*100mm (4pcs)</p>	<p>2</p>  <p>SCREW M6*60mm (36pcs)</p>	<p>3</p>  <p>SCREW M6*50mm (4pcs)</p>
<p>4</p>  <p>SCREW M6*40mm (36pcs)</p>	<p>5</p>  <p>BOLT M6*60mm (12pcs) + EXTRA (1pc)</p>	<p>6</p>  <p>BOLT M6*40mm (3pcs) + EXTRA (1pc)</p>
<p>7</p>  <p>SLEEVE NUT M6*15mm (3pcs) + EXTRA (1pc)</p>	<p>8</p>  <p>SCREW M4*20mm (16pcs)</p>	<p>9</p>  <p>PAT CONNECTER 70*15*2mm (4pcs)</p>
<p>10</p>  <p>ALENKEY M4*80mm (2pcs)</p>	<p>11</p>  <p>SCREW M7*80mm (16pcs)</p>	<p>12</p>  <p>WOODEN PEGS Ø10*30mm (2pcs)</p>
<p>13</p>  <p>PLASTIC FOOT M6 (16pcs)</p>	<p>14</p>  <p>PLASTIC FOOT M8 (4pcs)</p>	<p>15</p>  <p>SCREW DRIVER (NO PROVIDED)</p>


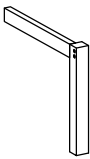
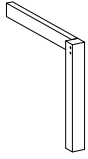
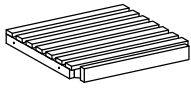
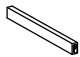
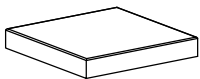
N711P453631

<p>A</p>  <p>2 pcs</p>	<p>B</p>  <p>2 pcs</p>	<p>C</p>  <p>2 pcs</p>	<p>D</p>  <p>2 pcs</p>	<p>E</p>  <p>2 pcs</p>
<p>F</p>  <p>2 pcs</p>	<p>G</p>  <p>2 pcs</p>	<p>H</p>  <p>2 pcs</p>		

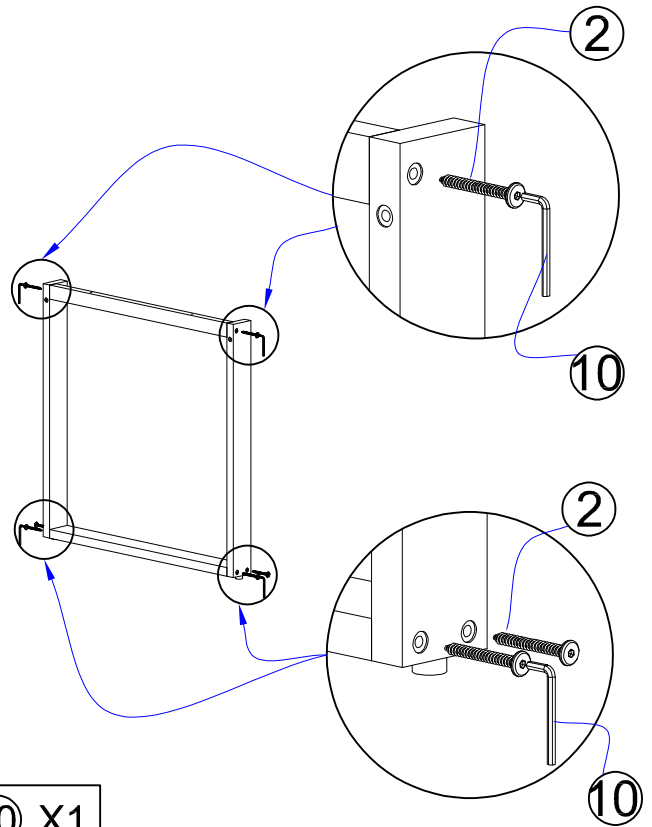
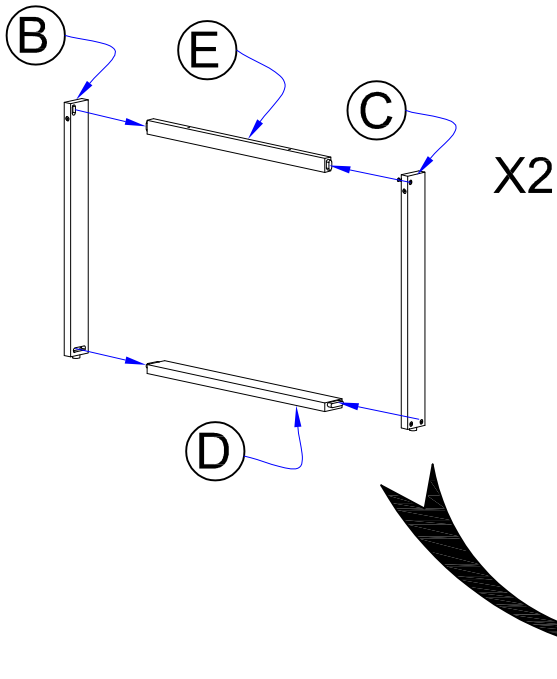
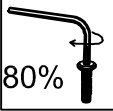
N711P453632

<p>I</p>  <p>2 pcs</p>	<p>J</p>  <p>2 pcs</p>	<p>K</p>  <p>2 pcs</p>	
<p>L</p>  <p>2 pcs</p>	<p>M</p>  <p>4 pcs</p>	<p>N</p>  <p>2 pcs</p>	

N711P453633

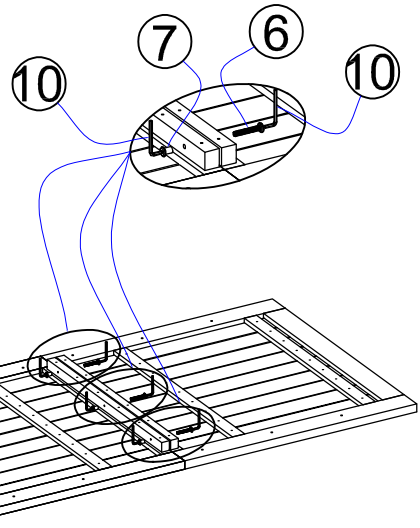
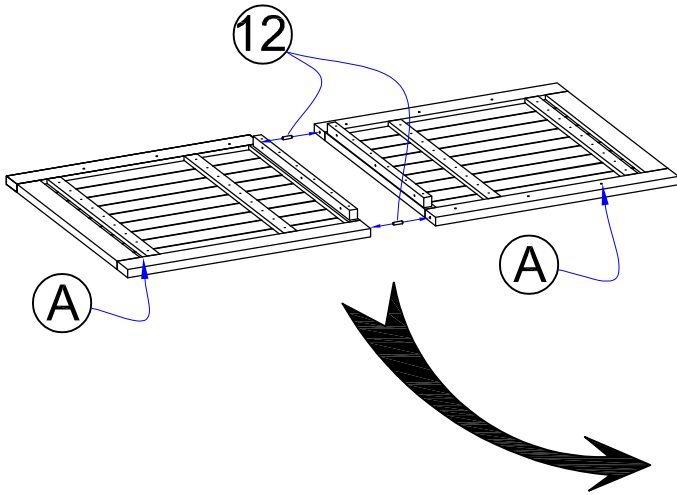
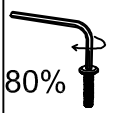
<p>I</p>  <p>2 pcs</p>	<p>J</p>  <p>2 pcs</p>	<p>K</p>  <p>2 pcs</p>	
<p>L</p>  <p>2 pcs</p>	<p>M</p>  <p>4 pcs</p>	<p>N</p>  <p>2 pcs</p>	

Step 1



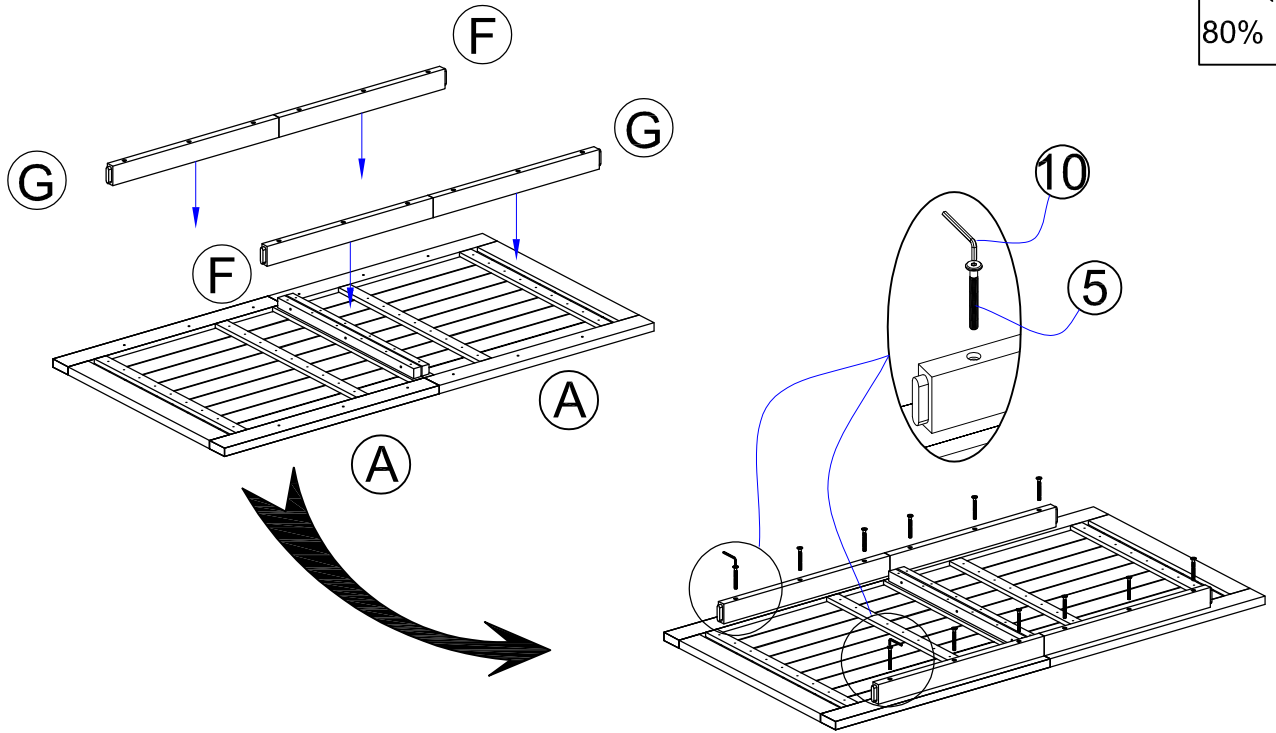
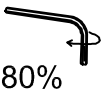
- | | | | | | |
|--------|--------|--------|--------|---------|---------|
| (B) X2 | (C) X2 | (D) X2 | (E) X2 | (2) X12 | (10) X1 |
|--------|--------|--------|--------|---------|---------|

Step 2



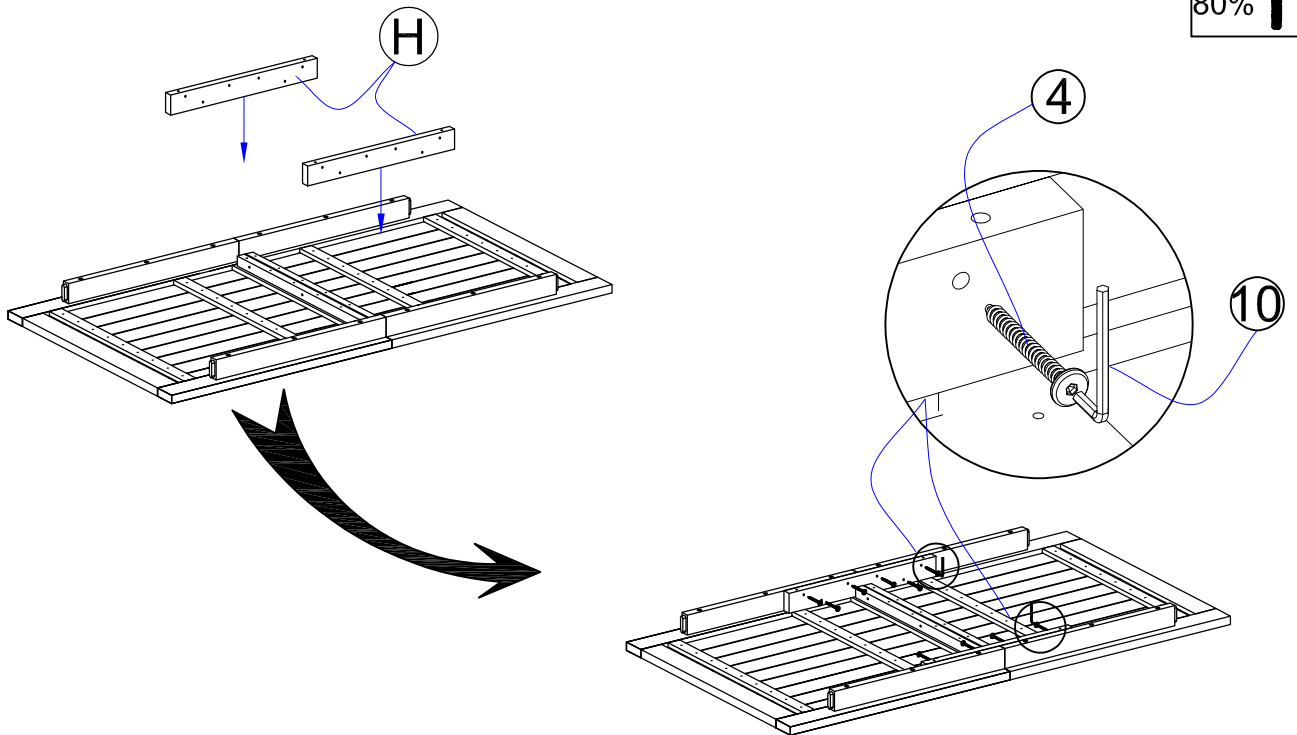
- | | | | | |
|--------|---------|---------|--------|--------|
| (A) X2 | (12) X2 | (10) X2 | (6) X3 | (7) X3 |
|--------|---------|---------|--------|--------|

Step 3



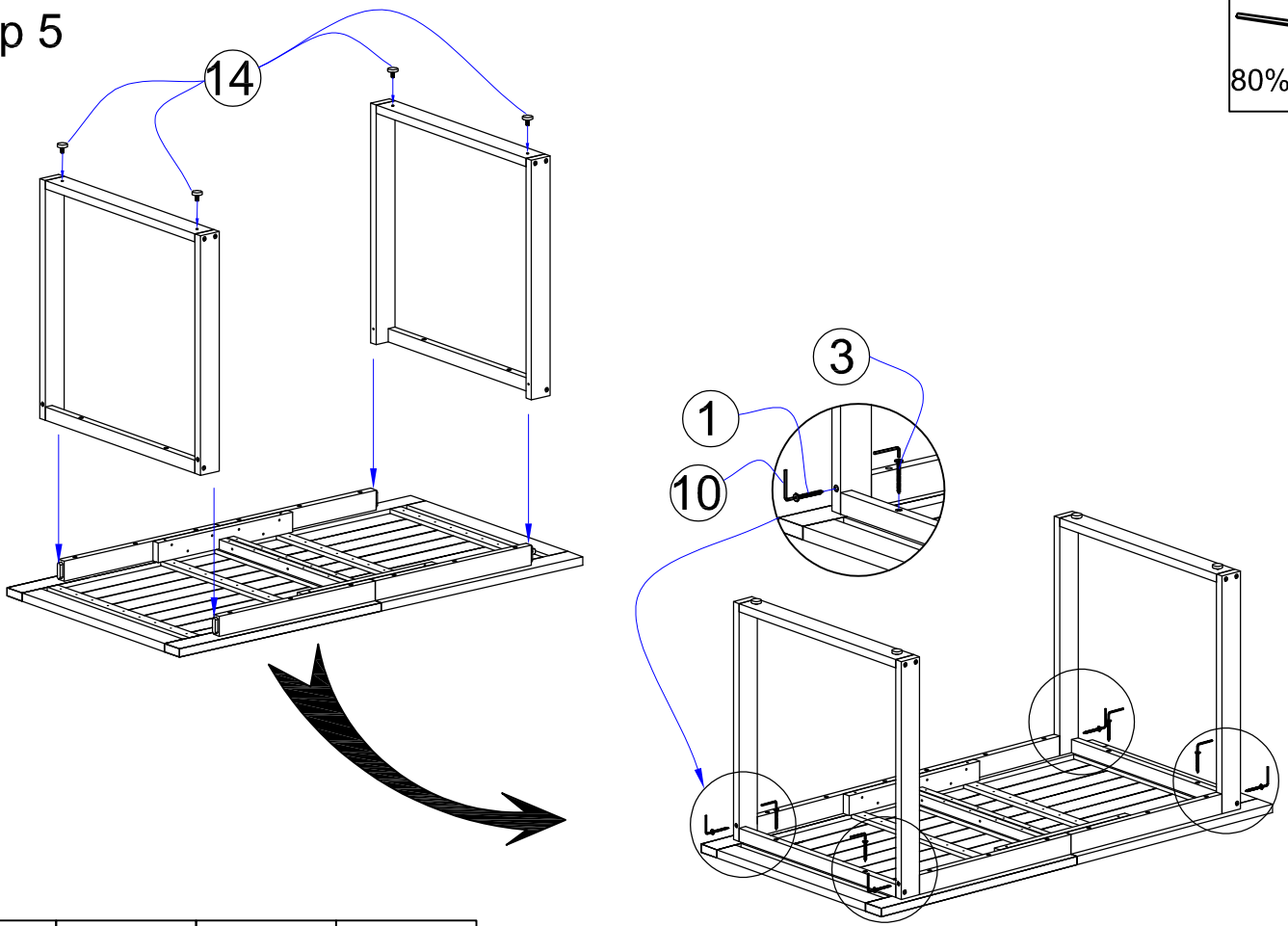
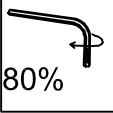
- | | | | | |
|--------|--------|---------|---------|--------|
| (F) X2 | (G) X2 | (5) X12 | (10) X1 | (A) X2 |
|--------|--------|---------|---------|--------|

Step 4



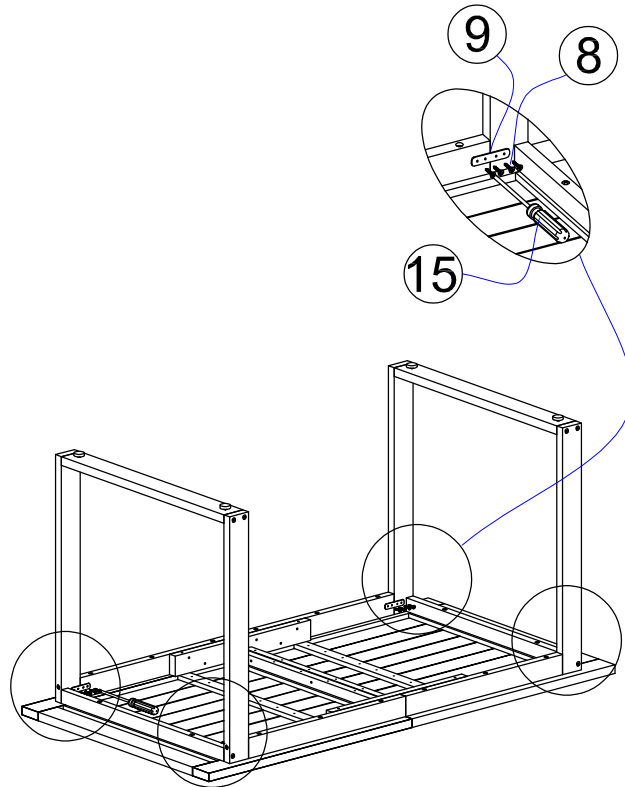
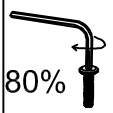
- | | | |
|--------|---------|---------|
| (H) X2 | (4) X12 | (10) X1 |
|--------|---------|---------|

Step 5



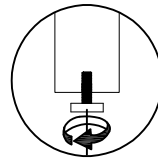
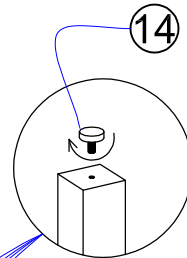
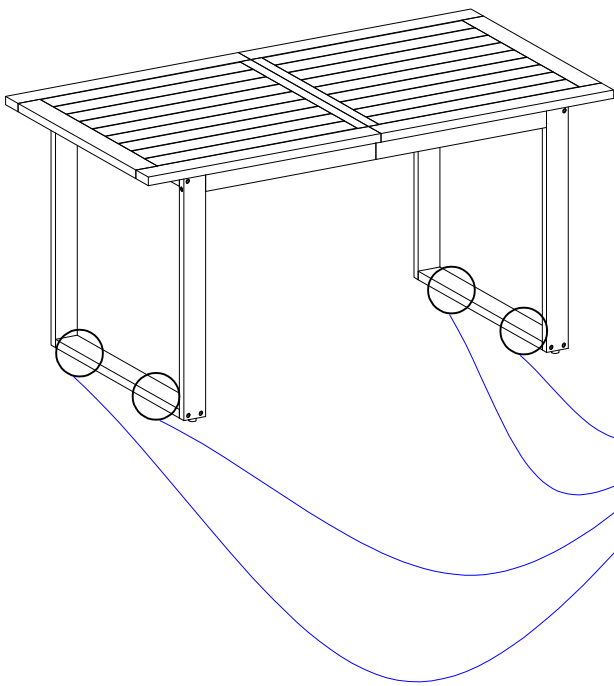
- | | | | |
|-------|------|-------|------|
| 14 X4 | 1 X4 | 10 X1 | 3 X4 |
|-------|------|-------|------|

Step 6

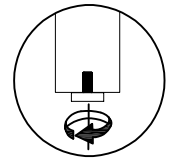


- | | |
|-------|------|
| 8 X16 | 9 X4 |
|-------|------|

Step 7



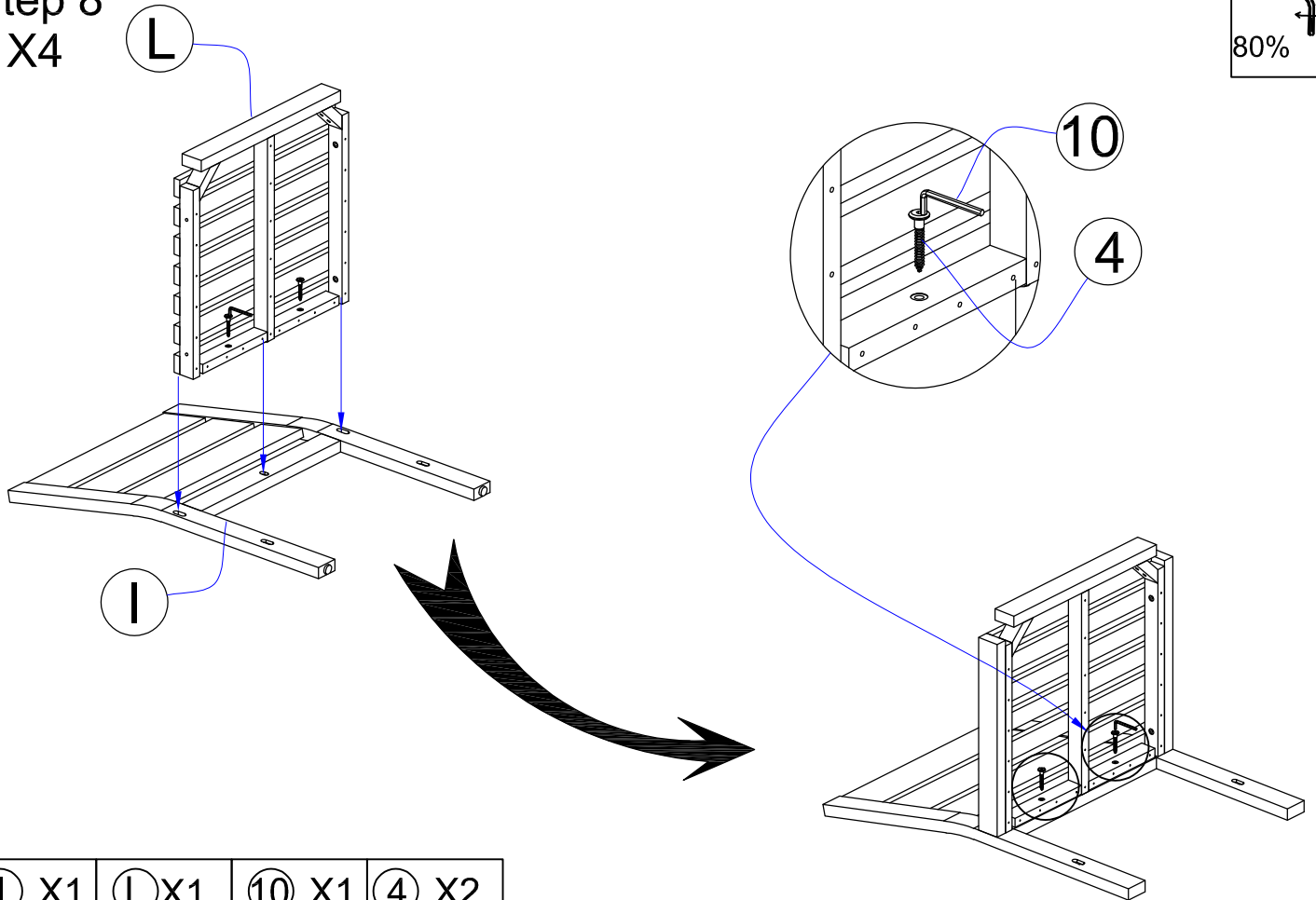
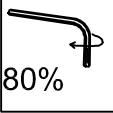
Adjust height for balance



Adjust low for balance

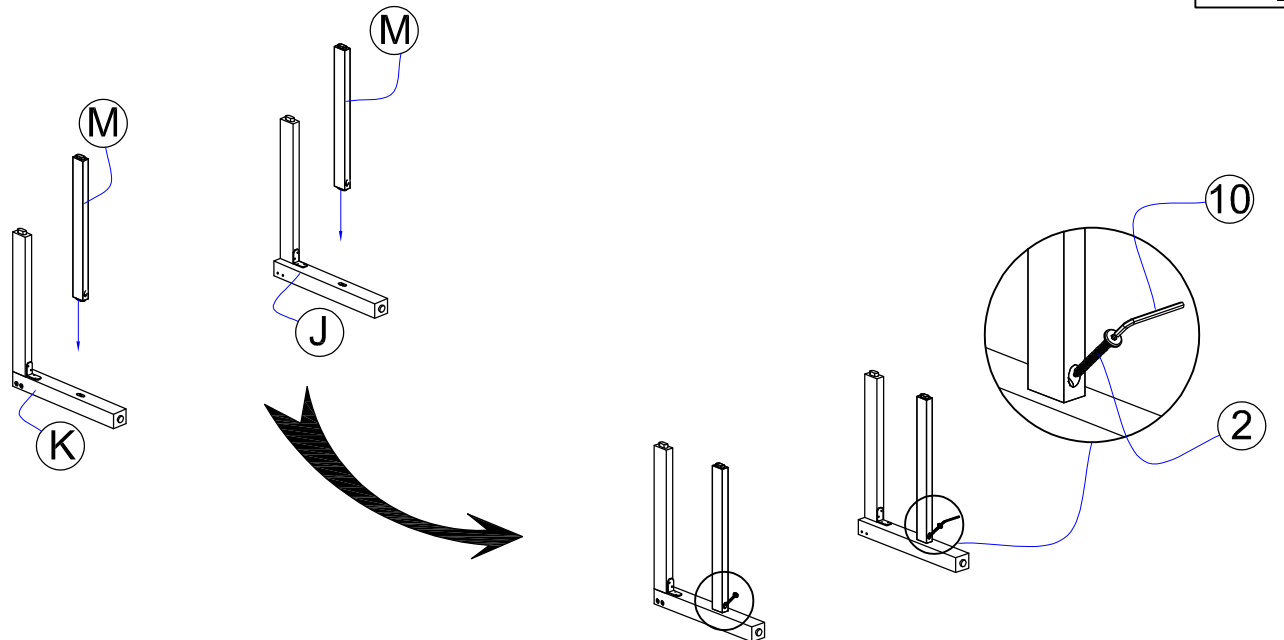
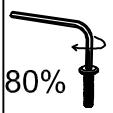
Adjust Pre- installed Levellers
height for balance

Step 8
X4



- | | | | |
|------|------|------|------|
| ⓐ X1 | Ⓛ X1 | ⑩ X1 | ④ X2 |
|------|------|------|------|

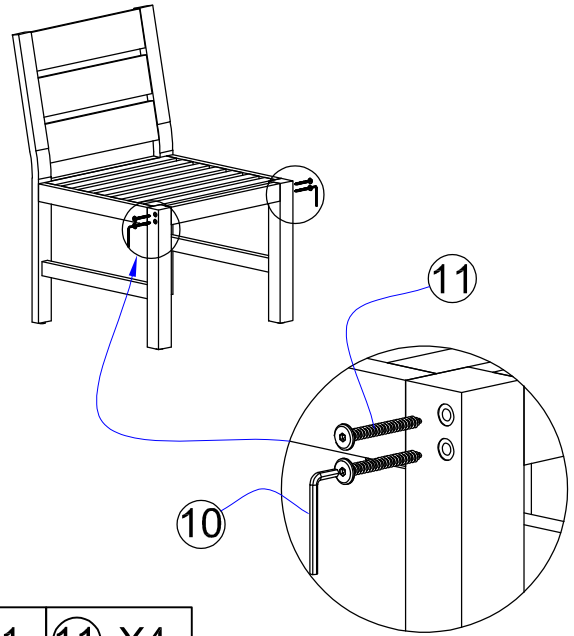
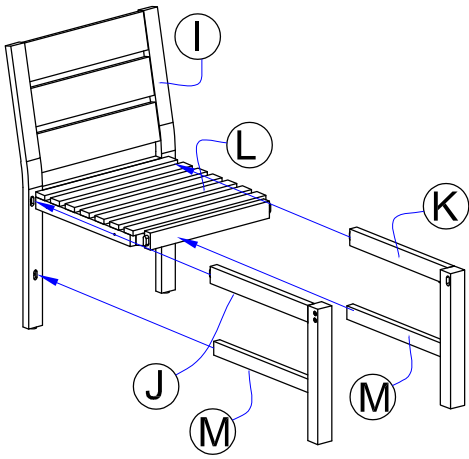
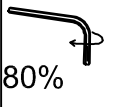
Step 9
X4



- | | | | | |
|------|------|------|------|------|
| ⓐ X1 | Ⓚ X1 | Ⓜ X2 | ⑩ X1 | ② X2 |
|------|------|------|------|------|

Step 10

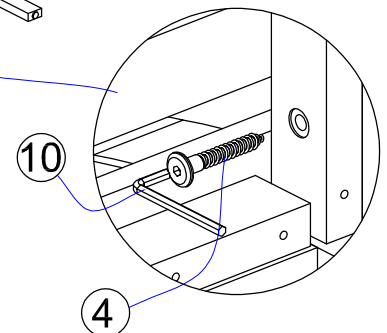
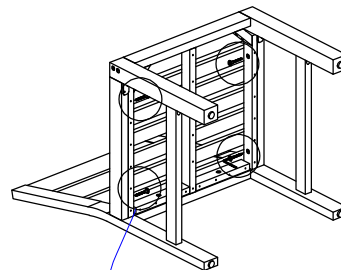
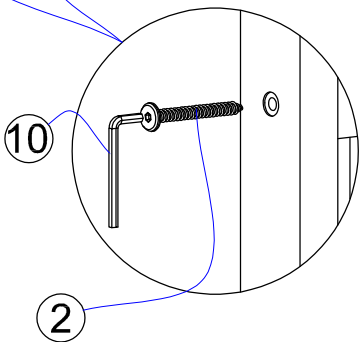
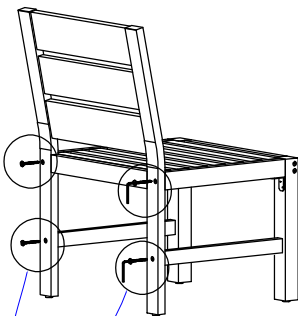
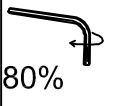
X4



ⓐ X1	ⓑ X1	ⓒ X1	ⓓ X1	ⓔ X2	ⓕ X1	ⓖ X4
------	------	------	------	------	------	------

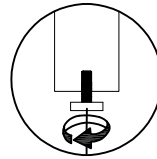
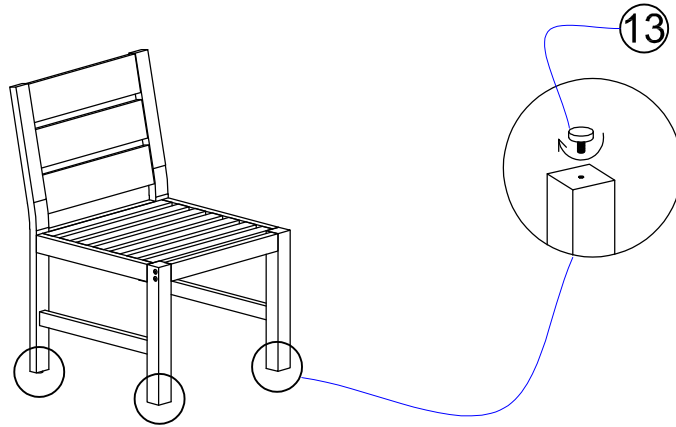
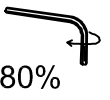
Step 11

X4

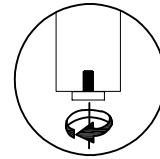


ⓗ X4	ⓓ X1	ⓓ X4
------	------	------

Step 12 X4



Adjust height for balance

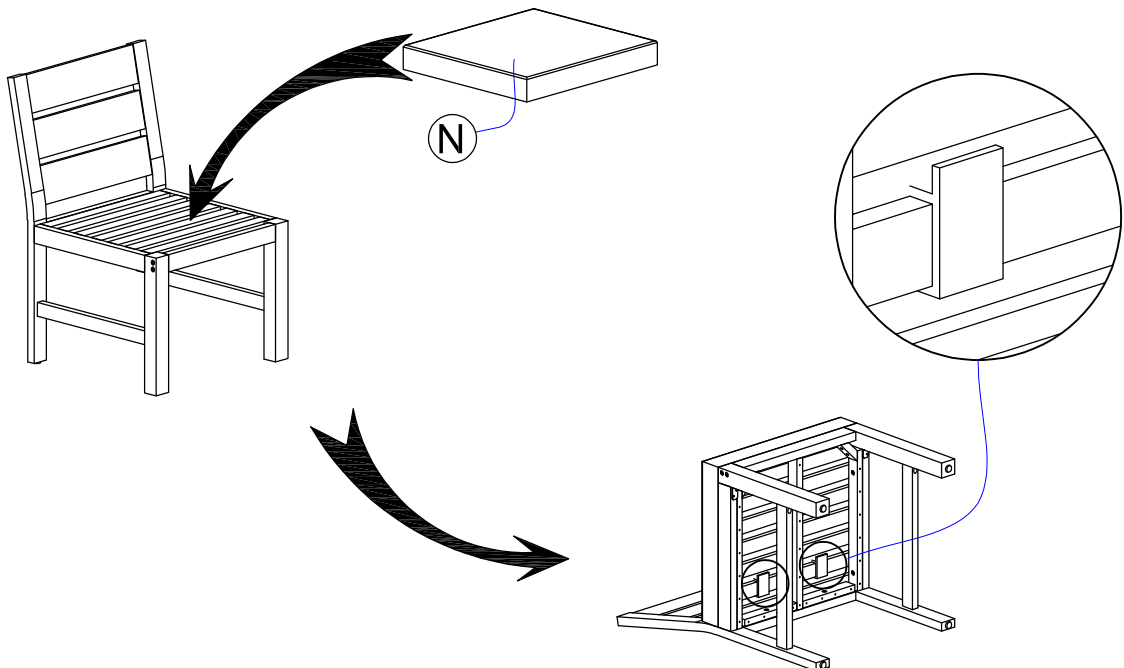


Adjust low for balance

Adjust Pre-installed Levellers
height for balance

13 X4

Step 13 X4



N X1

Step 14
X4

