

Lura® Wall-Mounted Faucet

FEATURES:

- 1.2 GPM (4.5 L/min) flow rate
- Brass construction
- Platform lever handles
- 1/4 turn ceramic cartridges
- Inlet supply lines not included, accepts 1/2" IPS and NPT threaded supply lines
- Designed for wall-mount use only
- Corrosion resistant finishes
- Coordinates with Lura Collection

STOCK FINISHES:



PC MB BBZ

SPECIALTY FINISHES:



BN OB PN

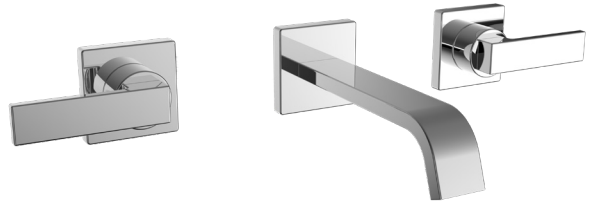
STANDARDS:

- ASME A112.18.1/CSA B125.1 certified
- NSF/ANSI 61 certified
- NSF 372 certified
- WaterSense certified

WARRANTY:

Visit www.speakman.com for full product warranty information

- 5 Year Limited Warranty (commercial)
- Limited Lifetime Warranty (residential)



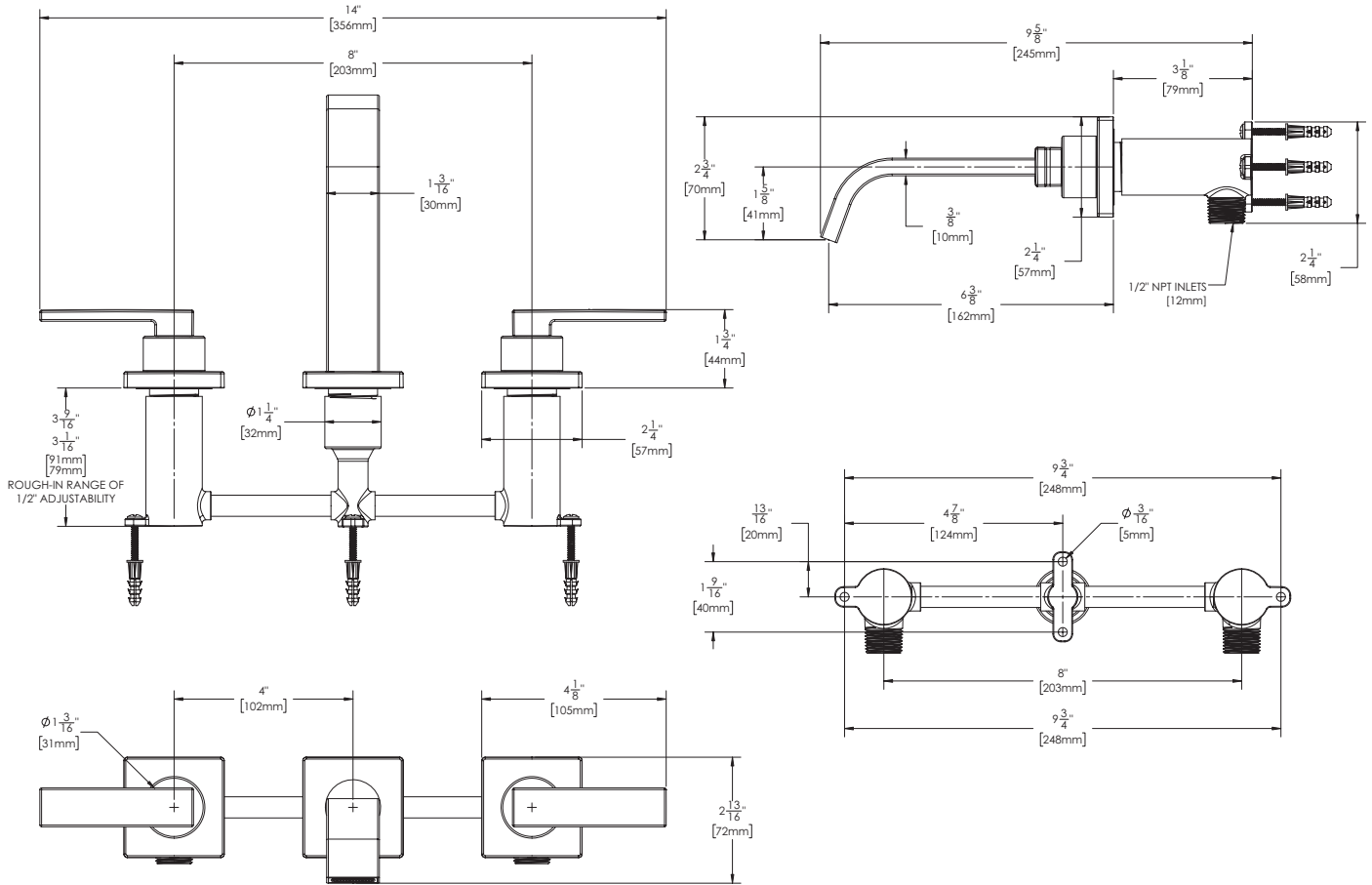
Information continues on next page

All dimensions are in inches (millimeters) unless otherwise specified and are subject to change without notice.

Architect/Engineer Approval Space:

P: 800-537-2107
F: 800-977-2747
W: WWW.SPEAKMAN.COM
R: 01-SEPTEMBER 2018

Lura® Wall-Mounted Faucet



All dimensions are in inches (millimeters) unless otherwise specified and are subject to change without notice.

Architect/Engineer Approval Space:

P: 800-537-2107
 F: 800-977-2747
 W: WWW.SPEAKMAN.COM
 R: 01-SEPTEMBER 2018