

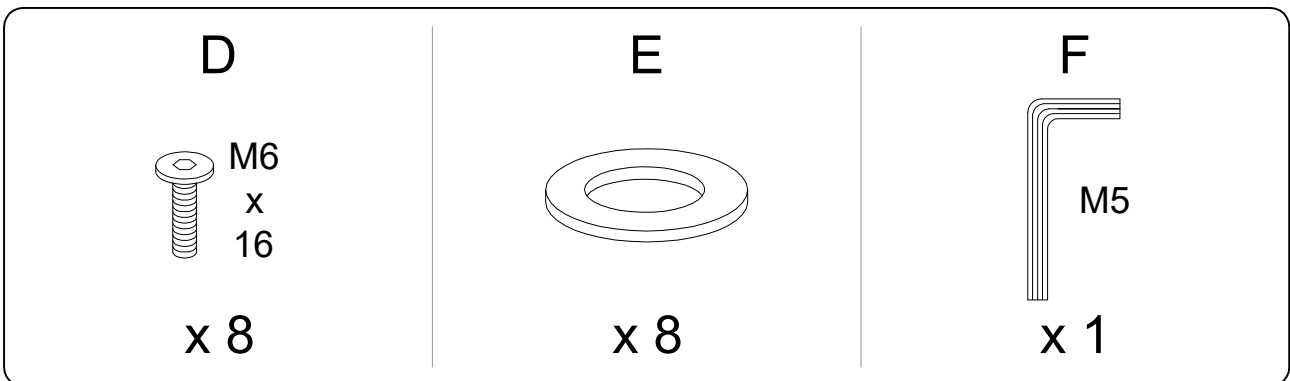
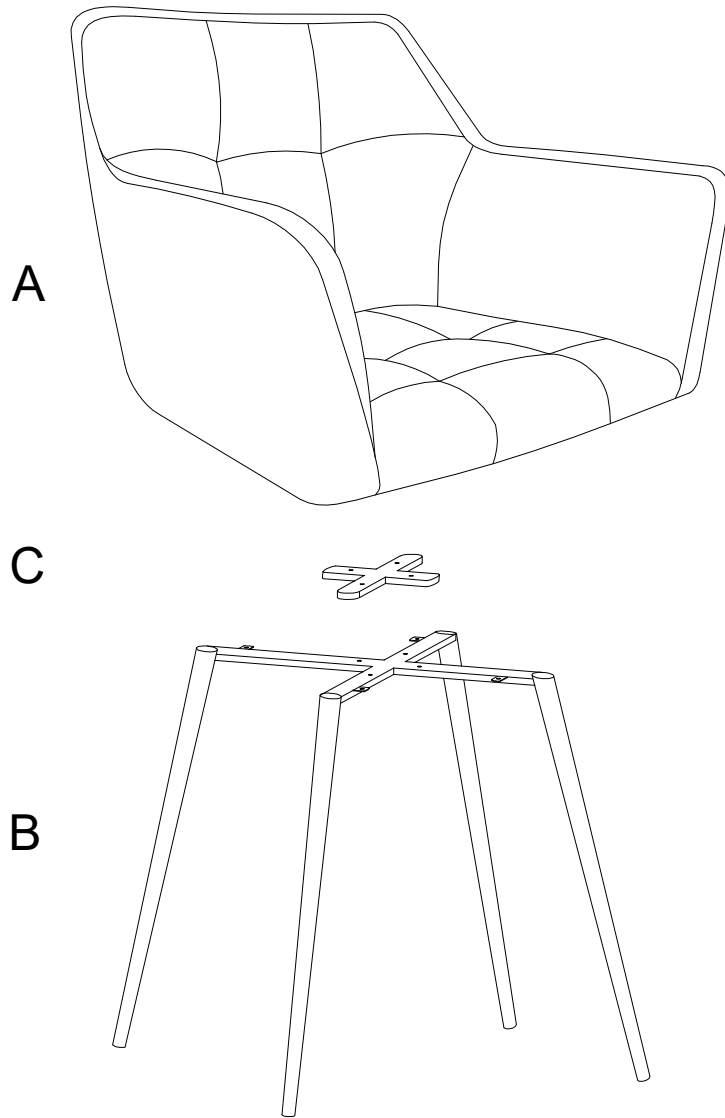
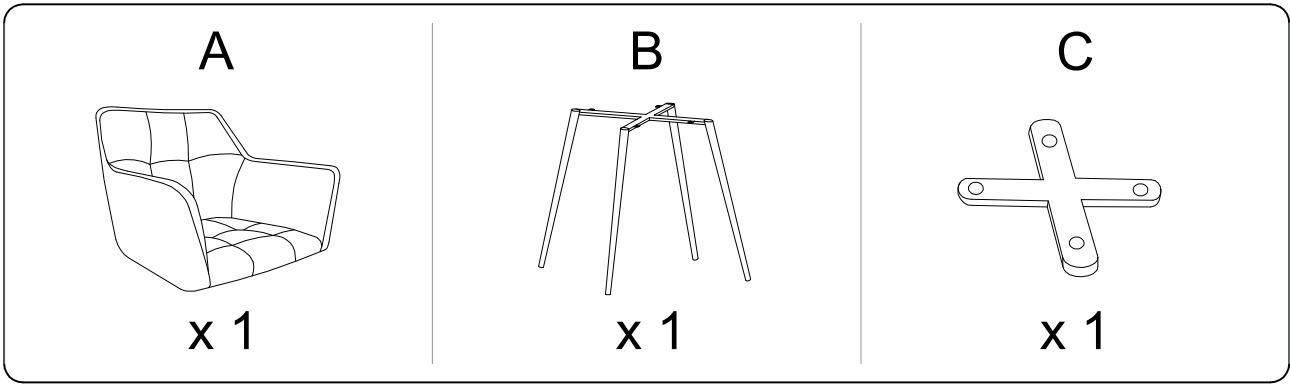
Assembly instructions for the chair, including warnings, time, and person requirements.

**Warning 1:** Do not use a power drill. Use an Allen key (shown in a circle) to tighten the screws.

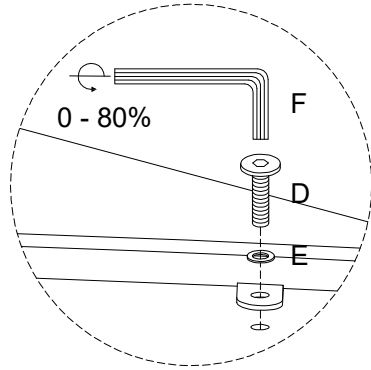
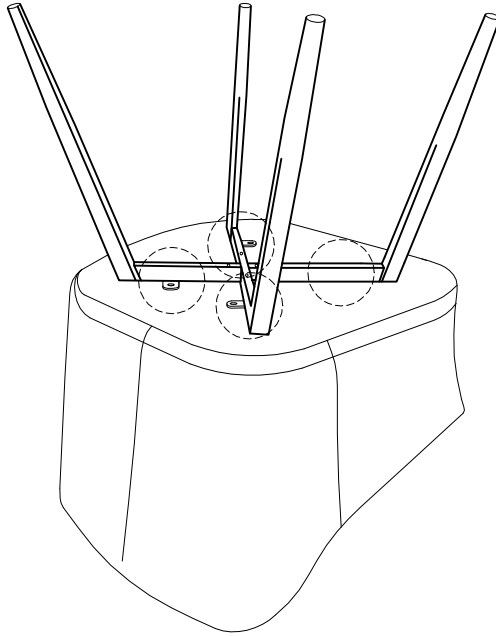
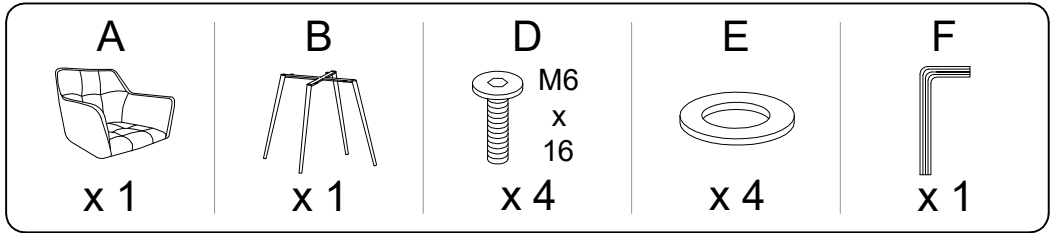
**Warning 2:** Do not place the chair on a soft surface like a rug. Place it on a hard, flat surface (shown in a circle).

**Time:** 30'

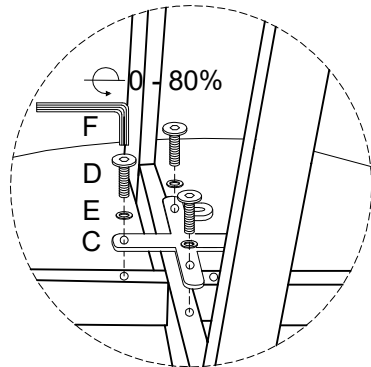
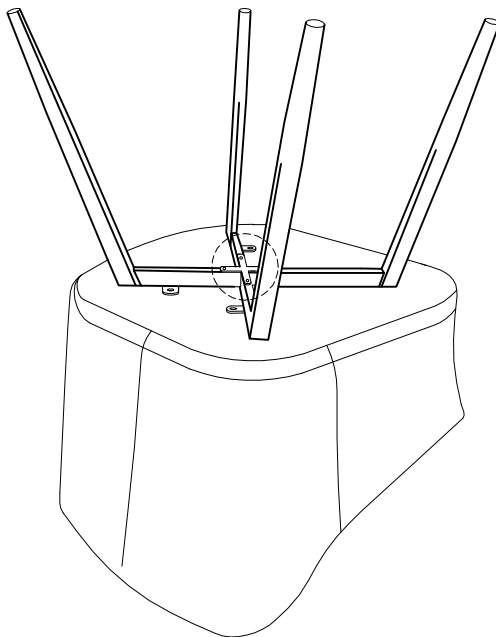
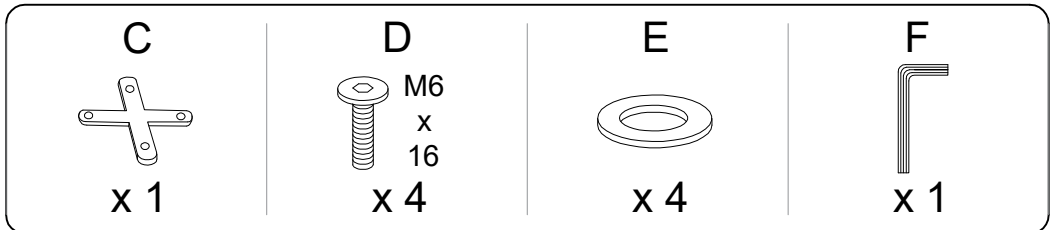
**Personnel:** 1



1



2



3

